



US00D709313S

(12) **United States Design Patent**  
**Gioe**

(10) **Patent No.:** **US D709,313 S**

(45) **Date of Patent:** **\*\* \*Jul. 22, 2014**

(54) **BED**

D666,437 S \* 9/2012 Gioe ..... D6/505  
D666,851 S \* 9/2012 Gioe ..... D6/508  
D666,852 S \* 9/2012 Gioe ..... D6/508

(71) Applicant: **Anthony Gioe**, Pelham, NY (US)

\* cited by examiner

(72) Inventor: **Anthony Gioe**, Pelham, NY (US)

*Primary Examiner* — Janice Seeger

(\* ) Notice: This patent is subject to a terminal disclaimer.

(74) *Attorney, Agent, or Firm* — Greenberg Traurig LLP

(\*\*) Term: **14 Years**

(57) **CLAIM**

The ornamental design for a bed, as shown and described.

(21) Appl. No.: **29/442,163**

**DESCRIPTION**

(22) Filed: **Dec. 24, 2012**

(51) **LOC (10) Cl.** ..... **06-06**

(52) **U.S. Cl.**  
USPC ..... **D6/718.13; D6/393**

(58) **Field of Classification Search**  
USPC ..... D6/382, 389, 392–395, 718, 718.13,  
D6/718.21, 718.22, 718.28; 5/53.1, 907,  
5/279.1, 280, 281  
See application file for complete search history.

FIG. 1 is a perspective view of a bed according to the invention;  
FIG. 2 is a front view of a bed showing my new design;  
FIG. 3 is a rear view thereof;  
FIG. 4 is a side view thereof;  
FIG. 5 is side opposite that shown in FIG. 4;  
FIG. 6 is a top plan view thereof; and,  
FIG. 7 is a bottom plan view thereof.

The portions of the figures illustrated in broken lines are provided for illustrative purposes only and form no part of the claimed design. Portions of the frieze forming part of the claimed design may include elements of one or more current or prior trademarks of New York Yankees Partnership, Executive Offices, Yankee Stadium, One East 161<sup>st</sup> Street, Bronx, N.Y. 10451.

(56) **References Cited**

U.S. PATENT DOCUMENTS

D165,921 S \* 2/1952 Ippolito ..... D21/520  
D403,542 S \* 1/1999 Feldstein ..... D6/503  
6,618,878 B1 \* 9/2003 McCoy et al. .... 5/95  
D617,574 S \* 6/2010 Lake ..... D6/390

**1 Claim, 7 Drawing Sheets**

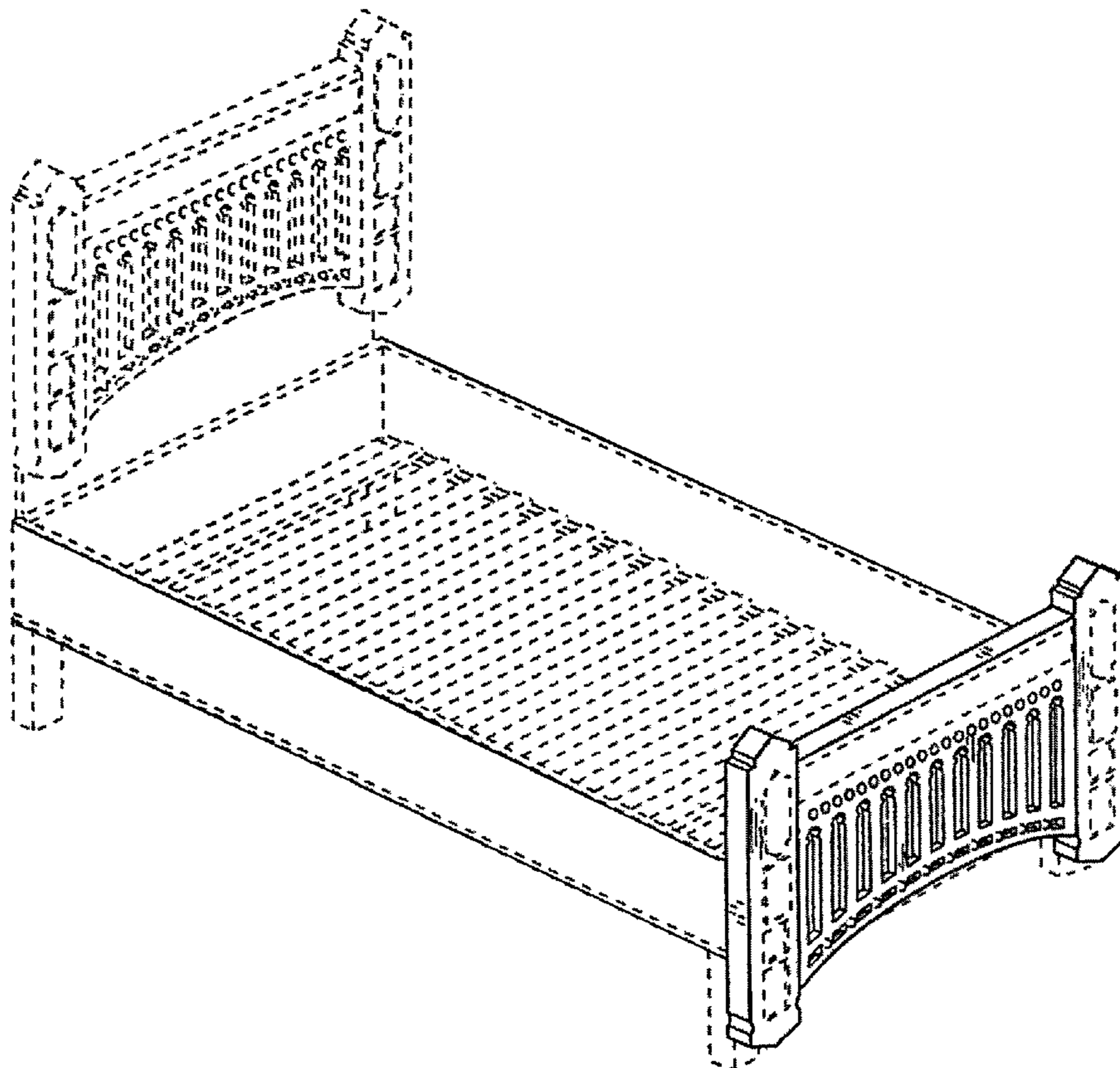


FIG. 1

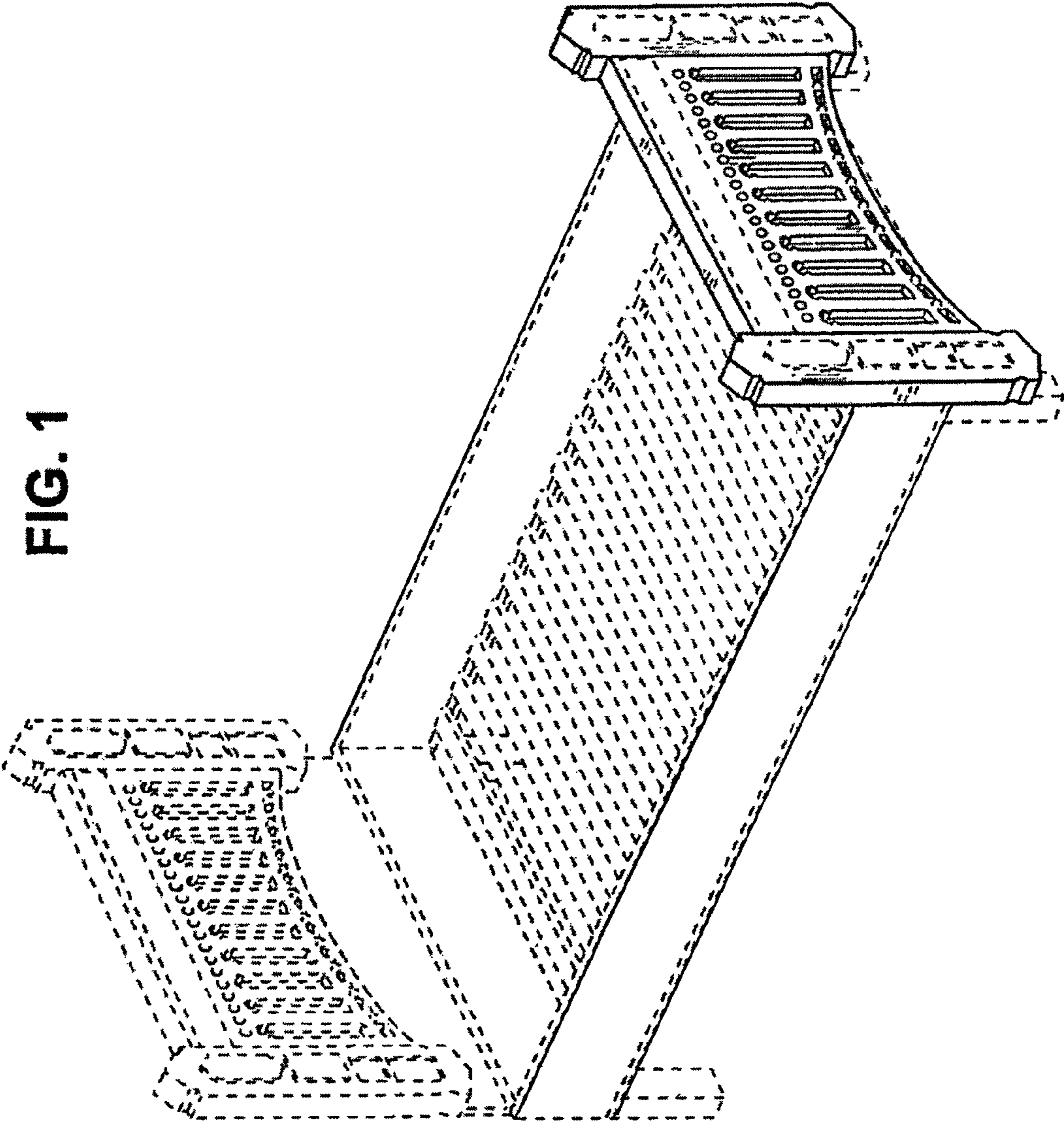
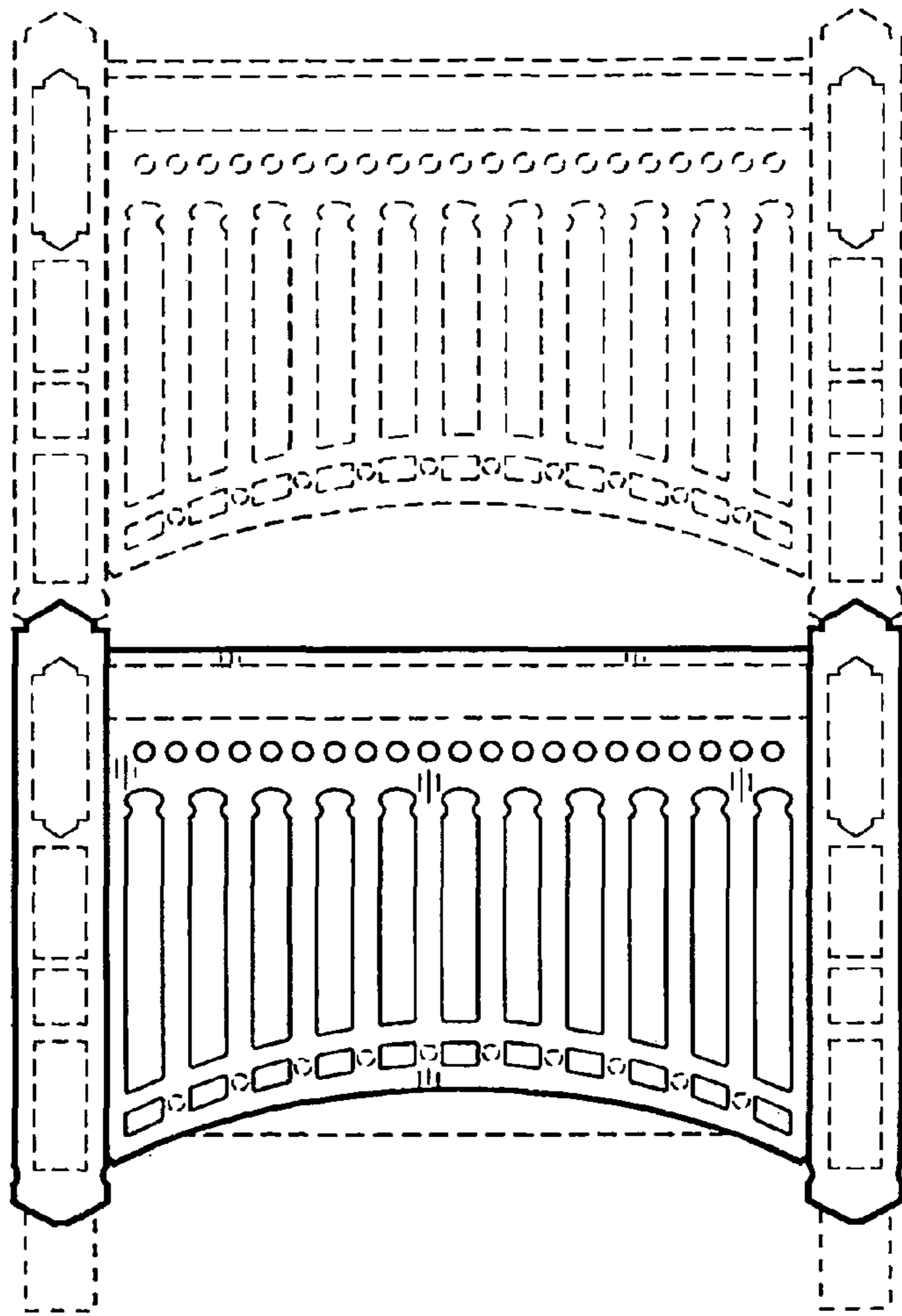
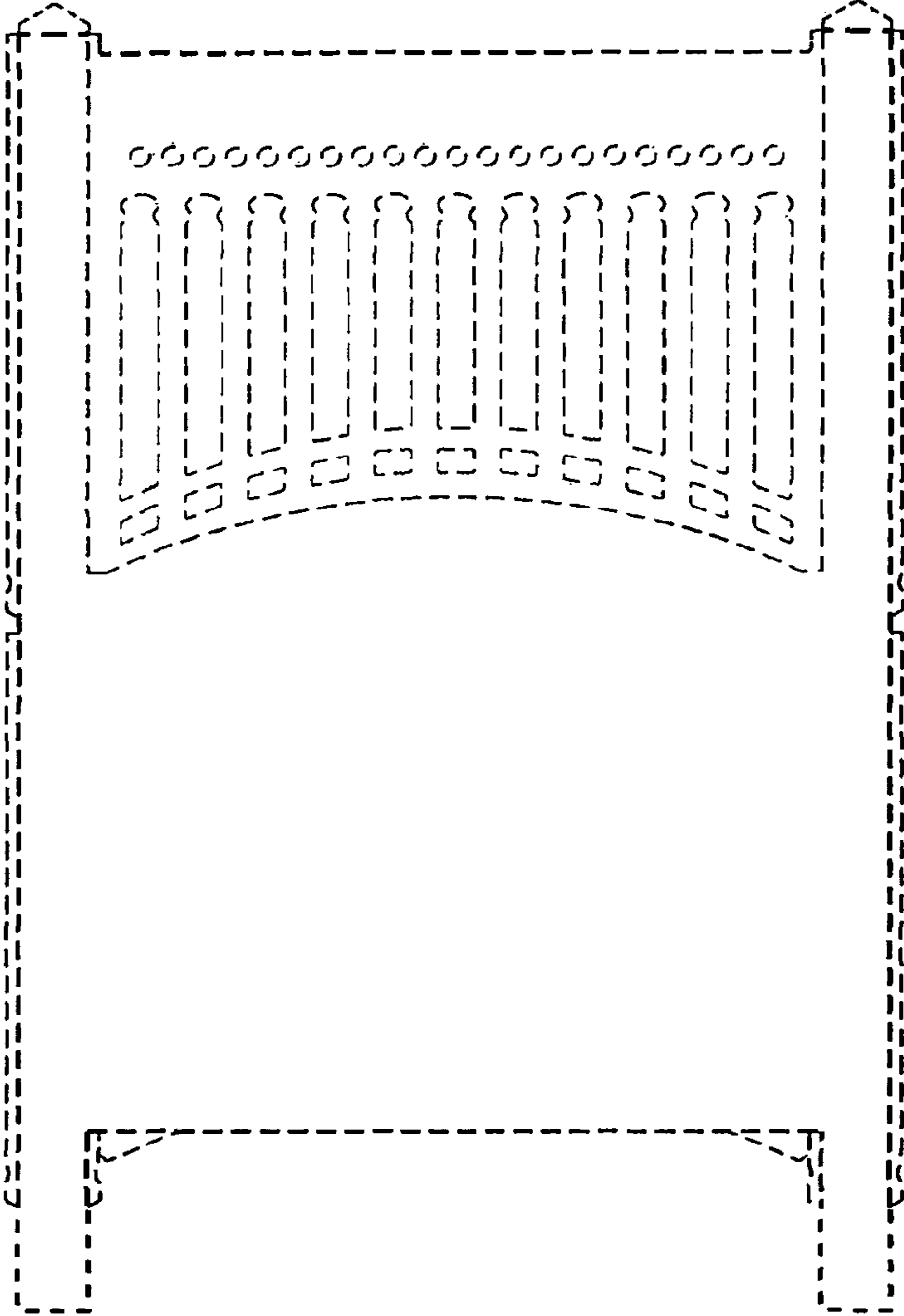


FIG. 2



**FIG. 3**



**FIG. 4**

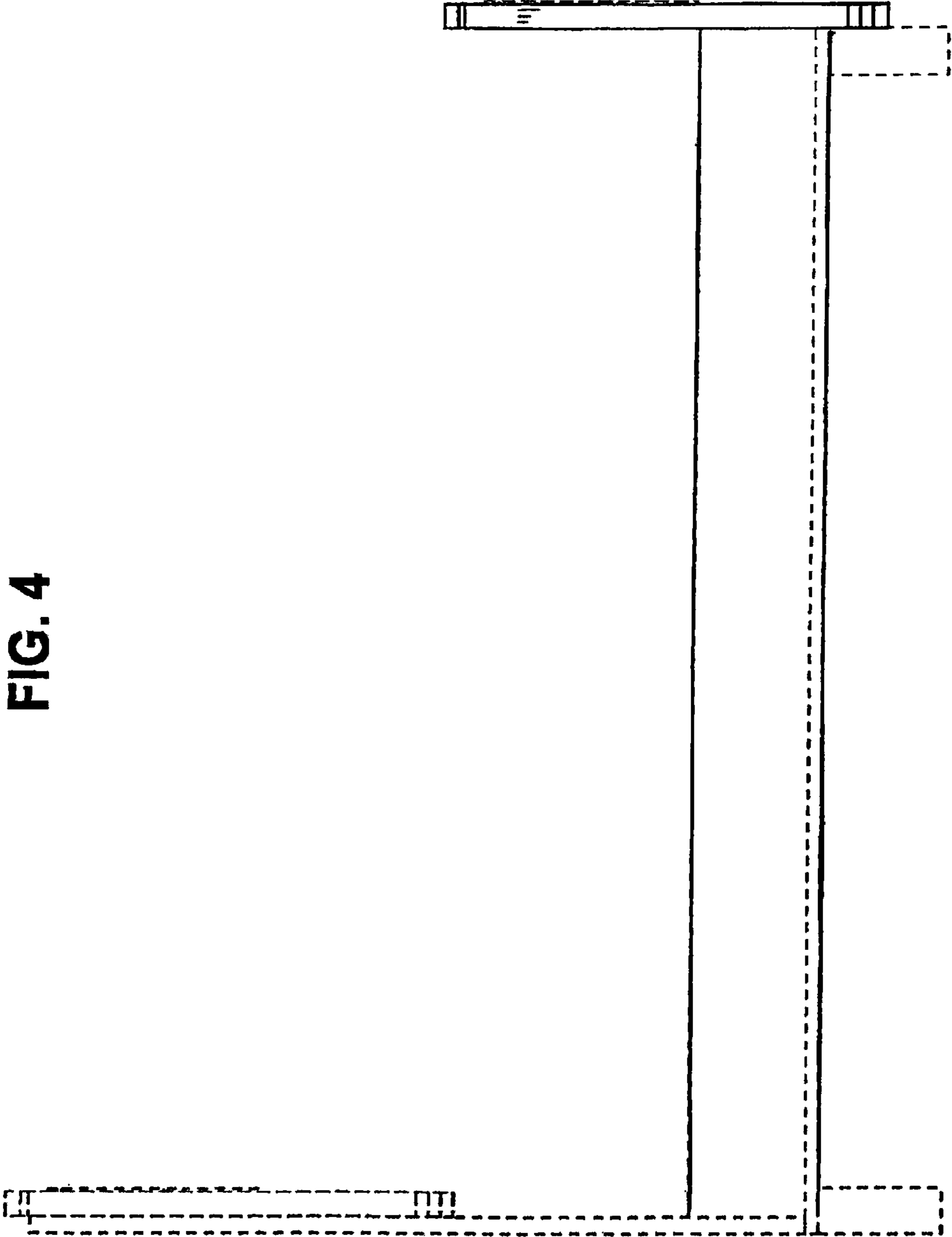
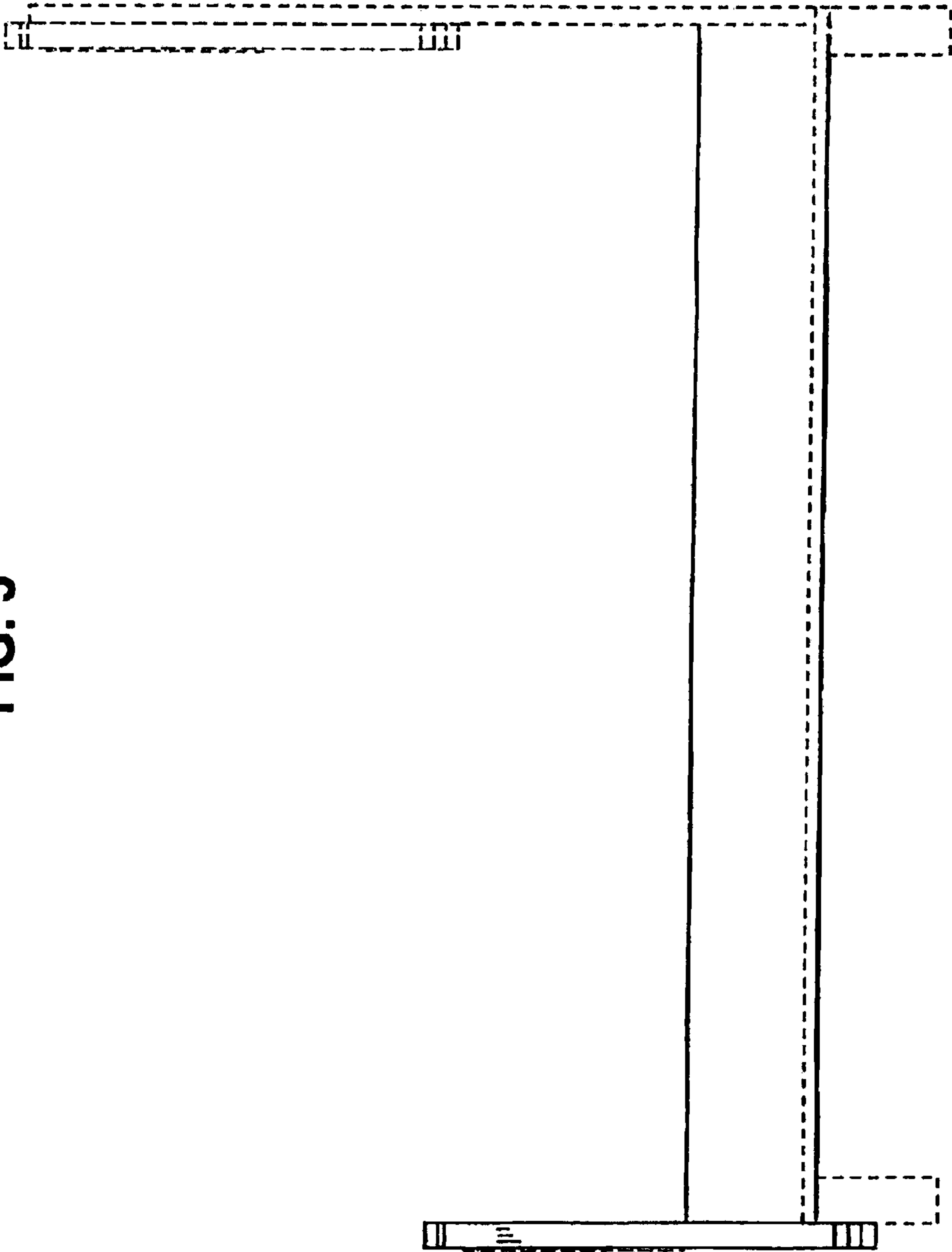
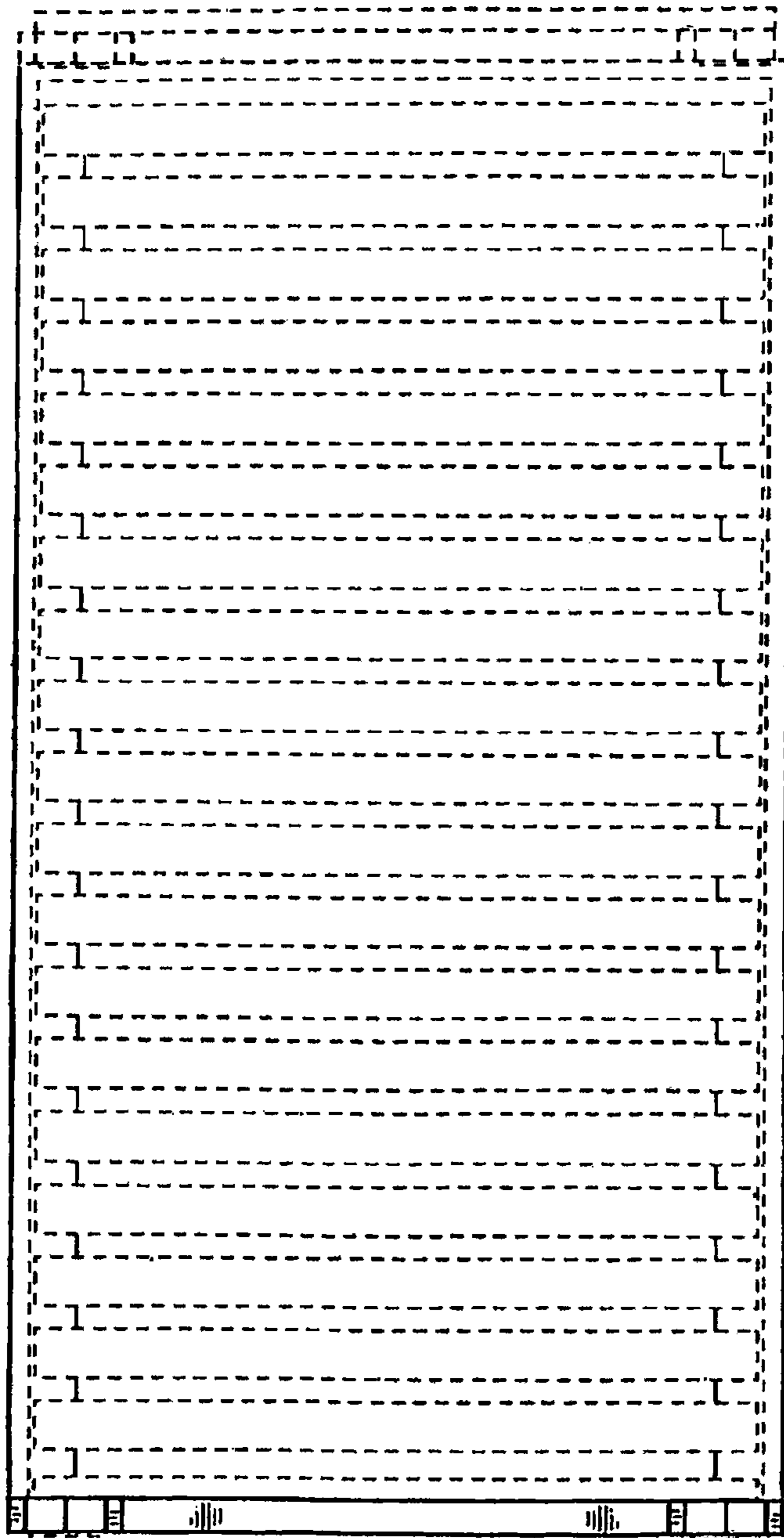


FIG. 5



**FIG. 6**



**FIG. 7**

