



US00D709312S

(12) **United States Design Patent**
Giugiaro

(10) **Patent No.:** **US D709,312 S**
(45) **Date of Patent:** **** Jul. 22, 2014**

(54) **CHAIR**

(71) Applicant: **Okamura Corporation**, Yokohama-shi (JP)

(72) Inventor: **Fabrizio Giugiaro**, Moncalieri Torino (IT)

(73) Assignee: **Okamura Corporation**, Kanagawa (JP)

(**) Term: **14 Years**

(21) Appl. No.: **29/452,262**

(22) Filed: **Apr. 15, 2013**

(30) **Foreign Application Priority Data**

Oct. 17, 2012 (JP) 2012-025176

(51) **LOC (10) Cl.** **06-01**

(52) **U.S. Cl.**
USPC **D6/716.4**

(58) **Field of Classification Search**

CPC B60N 2/667; A47C 1/03255; A47C 7/40;
A47C 7/46; A47C 7/282; A47C 7/462

USPC D6/334-336, 364, 365, 366, 369, 374,
D6/376, 379, 380, 716, 716.1, 716.2,
D6/716.3, 716.4; 297/284.4, 284.7,
297/452.13, 452.29, 452.3, 452.46, 452.56,
297/452.64

See application file for complete search history.

(56) **References Cited**

U.S. PATENT DOCUMENTS

D445,580 S * 7/2001 Pennington et al. D6/366
D489,191 S * 5/2004 Ma D6/366
D514,831 S * 2/2006 Tsai D6/366
D514,832 S * 2/2006 Tsai D6/366

D549,976 S * 9/2007 Lin D6/366
D580,198 S * 11/2008 Wu D6/716.4
D653,044 S * 1/2012 Schaack D6/366

(Continued)

Primary Examiner — Mimoso De

(74) *Attorney, Agent, or Firm* — Sughrue Mion, PLLC

(57) **CLAIM**

The ornamental design for a chair, as shown and described.

DESCRIPTION

FIG. 1 is a perspective view from the front side of a chair.

FIG. 2 is a perspective view from the rear side thereof.

FIG. 3 is a front elevation view thereof.

FIG. 4 is a rear elevation view thereof.

FIG. 5 is a right side elevation view thereof.

FIG. 6 is a left side elevation view thereof.

FIG. 7 is a top plan view thereof.

FIG. 8 is a bottom plan view thereof.

FIG. 9 is a perspective view from the front side of the claimed design.

FIG. 10 is a perspective view from the rear side of the claimed design.

FIG. 11 is a front elevation view of the claimed design.

FIG. 12 is a rear elevation view of the claimed design.

FIG. 13 is a right side elevation view of the claimed design.

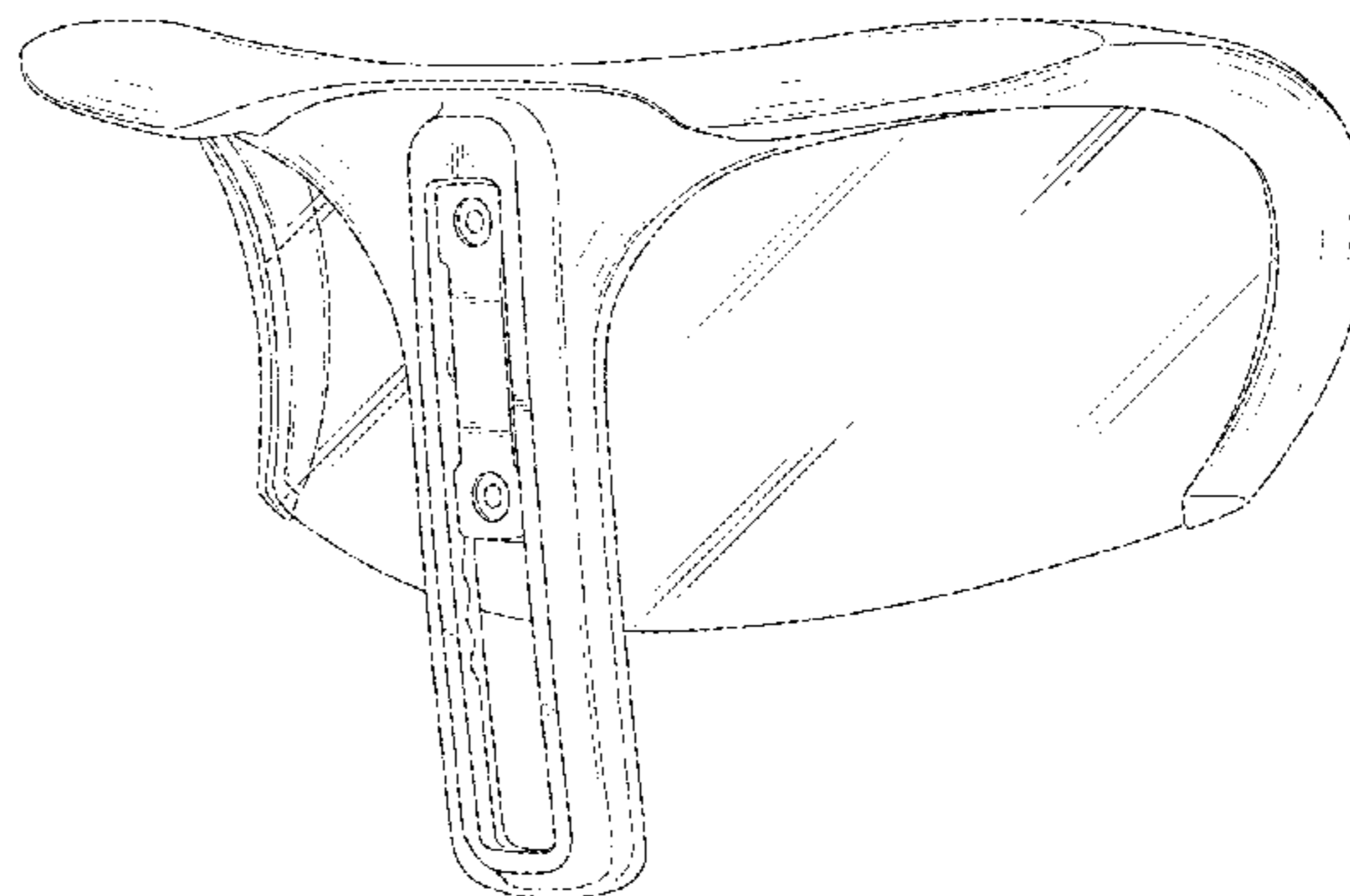
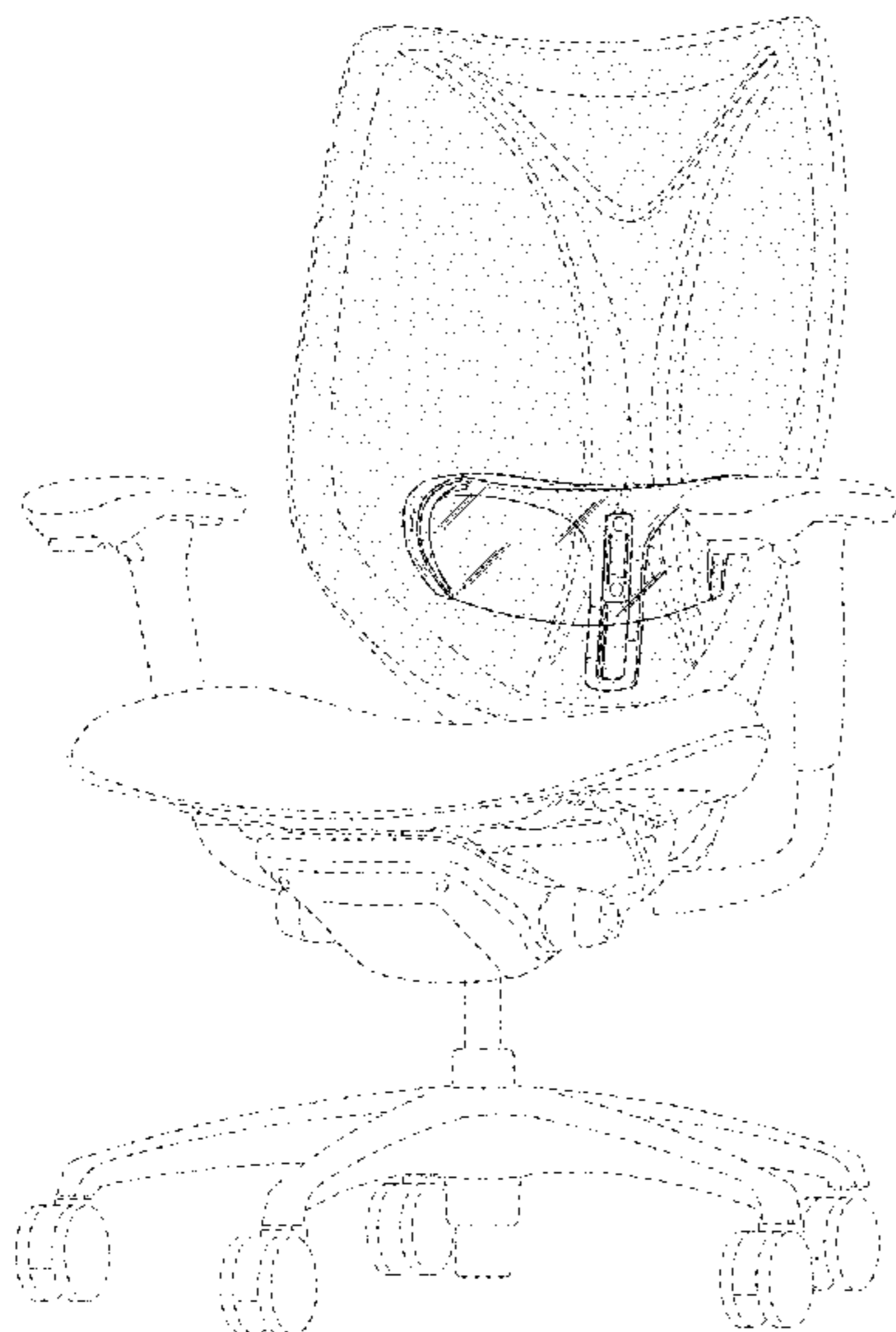
FIG. 14 is a left side elevation view of the claimed design.

FIG. 15 is a top plan view of the claimed design; and,

FIG. 16 is a bottom plan view of the claimed design.

The broken lines are used to show portions of the chair that are not being claimed, and thus form no part of the claimed design. The oblique line shading illustrates translucency. The backrest sheet of the chair is made of mesh and the mesh pattern of the backrest sheet forms no part of the claimed design.

1 Claim, 16 Drawing Sheets



(56)

References Cited

U.S. PATENT DOCUMENTS

D661,136 S * 6/2012 Su D6/716.4
D661,137 S * 6/2012 Su D6/716.4
D683,172 S * 5/2013 Su D6/716.4

D683,574 S * 6/2013 Su D6/716.4
8,573,697 B1 * 11/2013 Su A47C 7/462
D697,330 S * 1/2014 Chen D6/366

* cited by examiner

FIG. 1

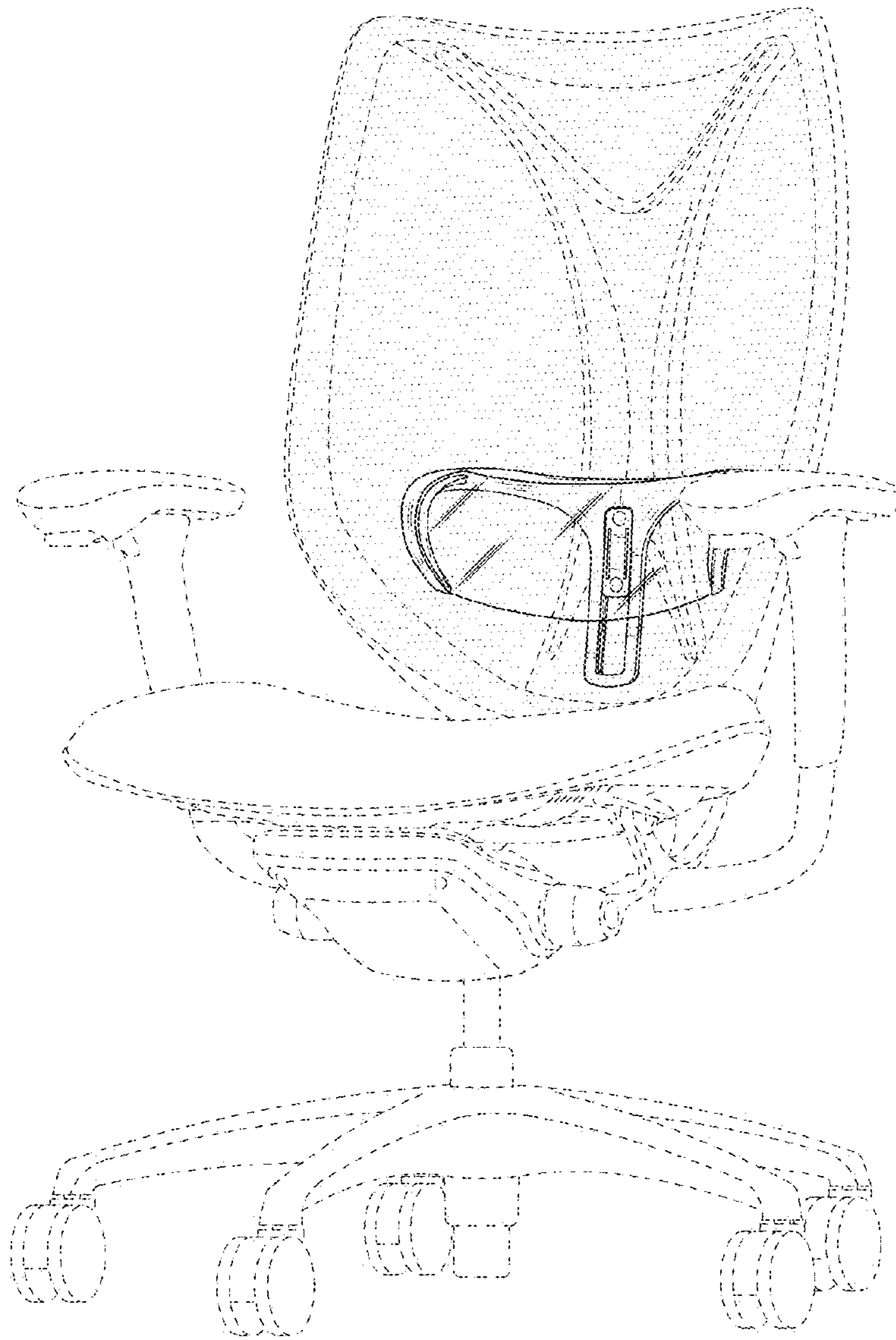


FIG. 2

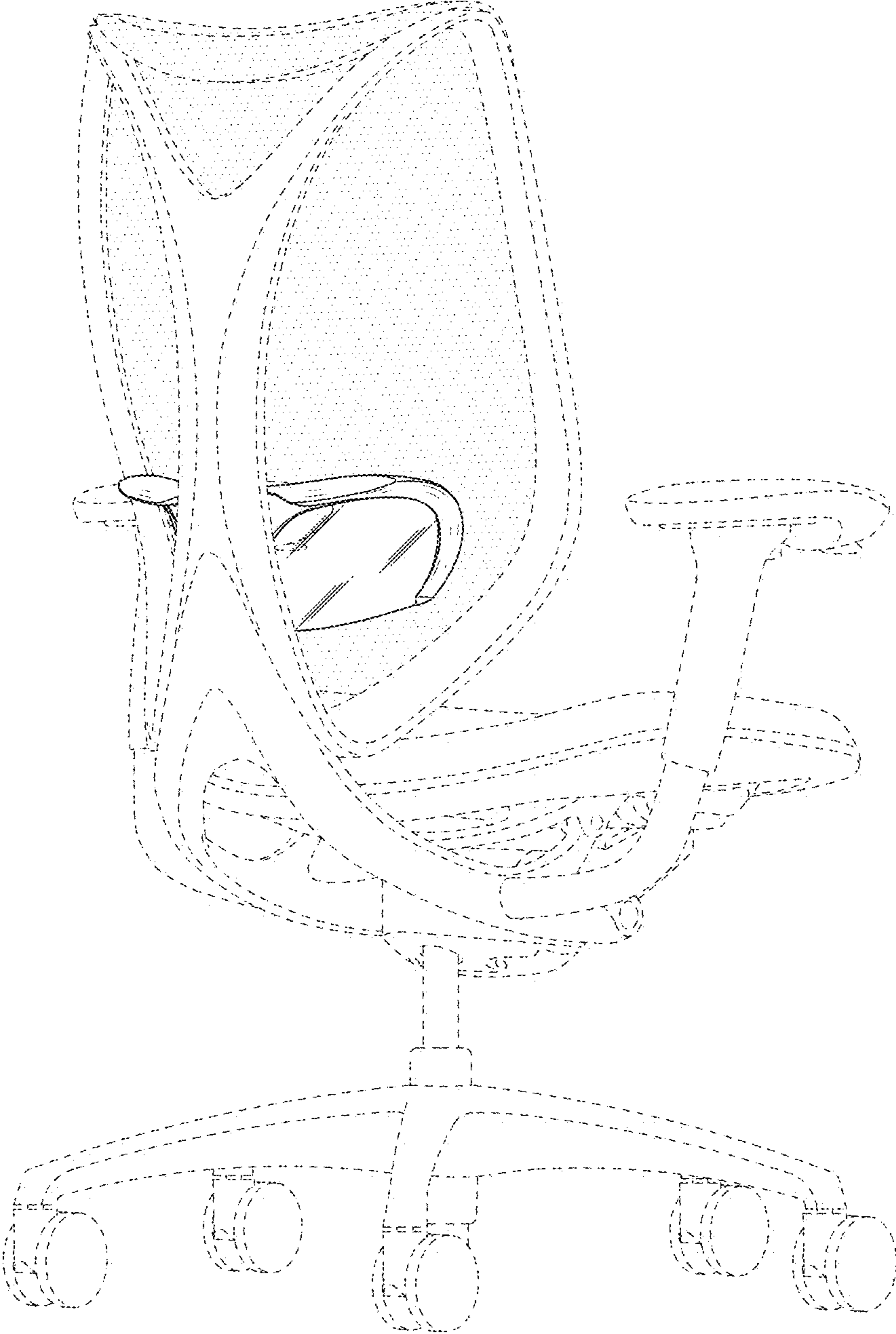


FIG. 3

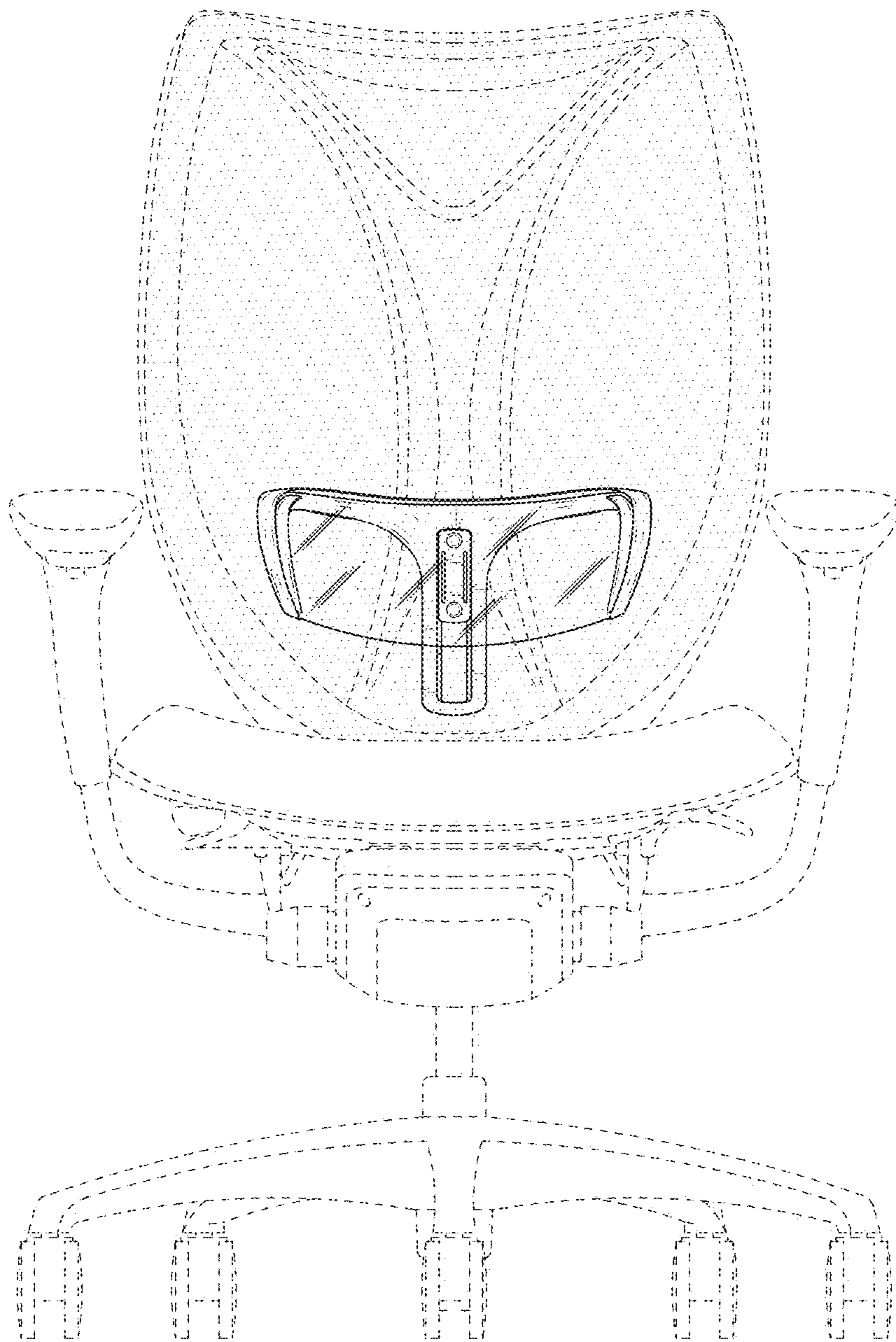


FIG. 4

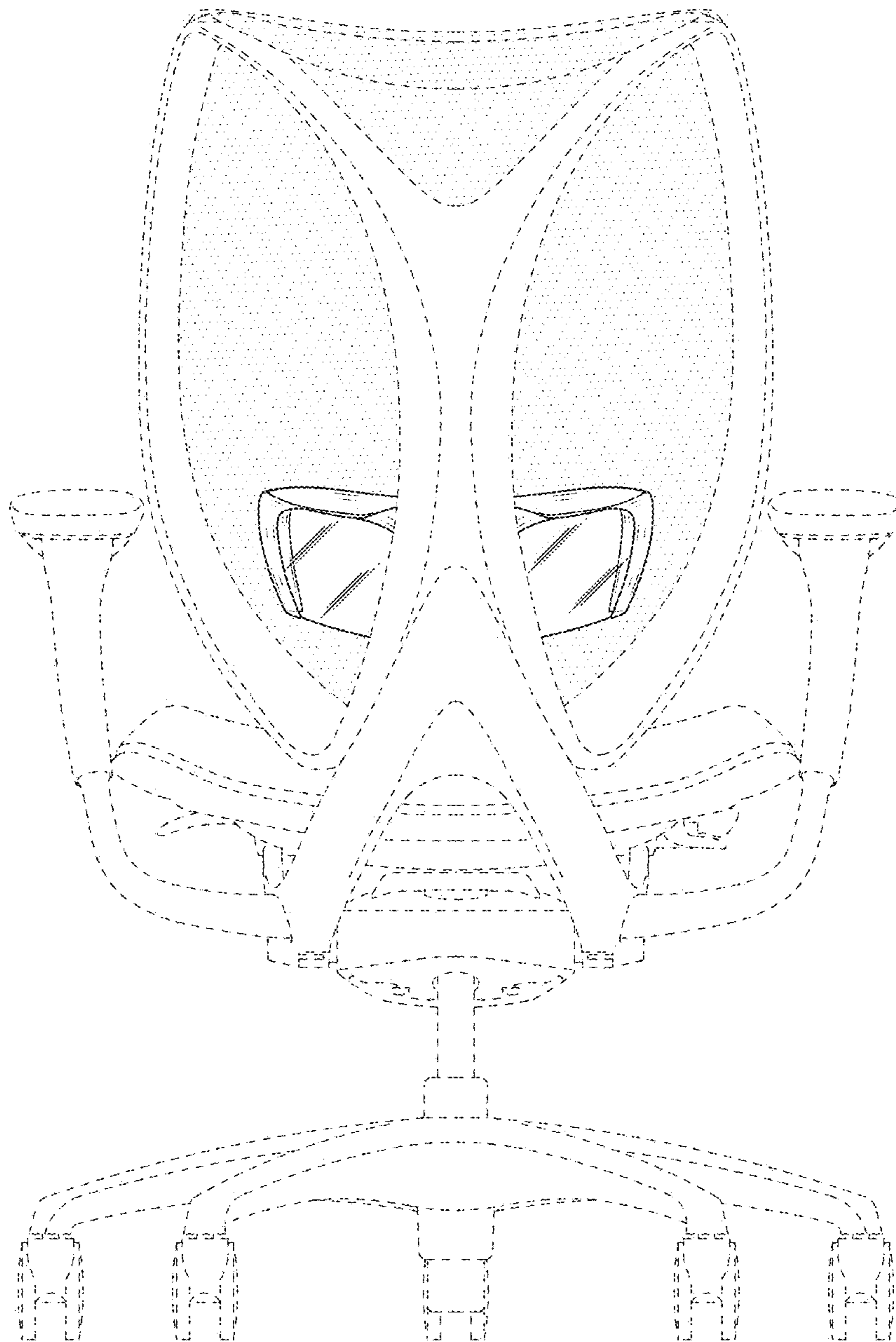


FIG. 5

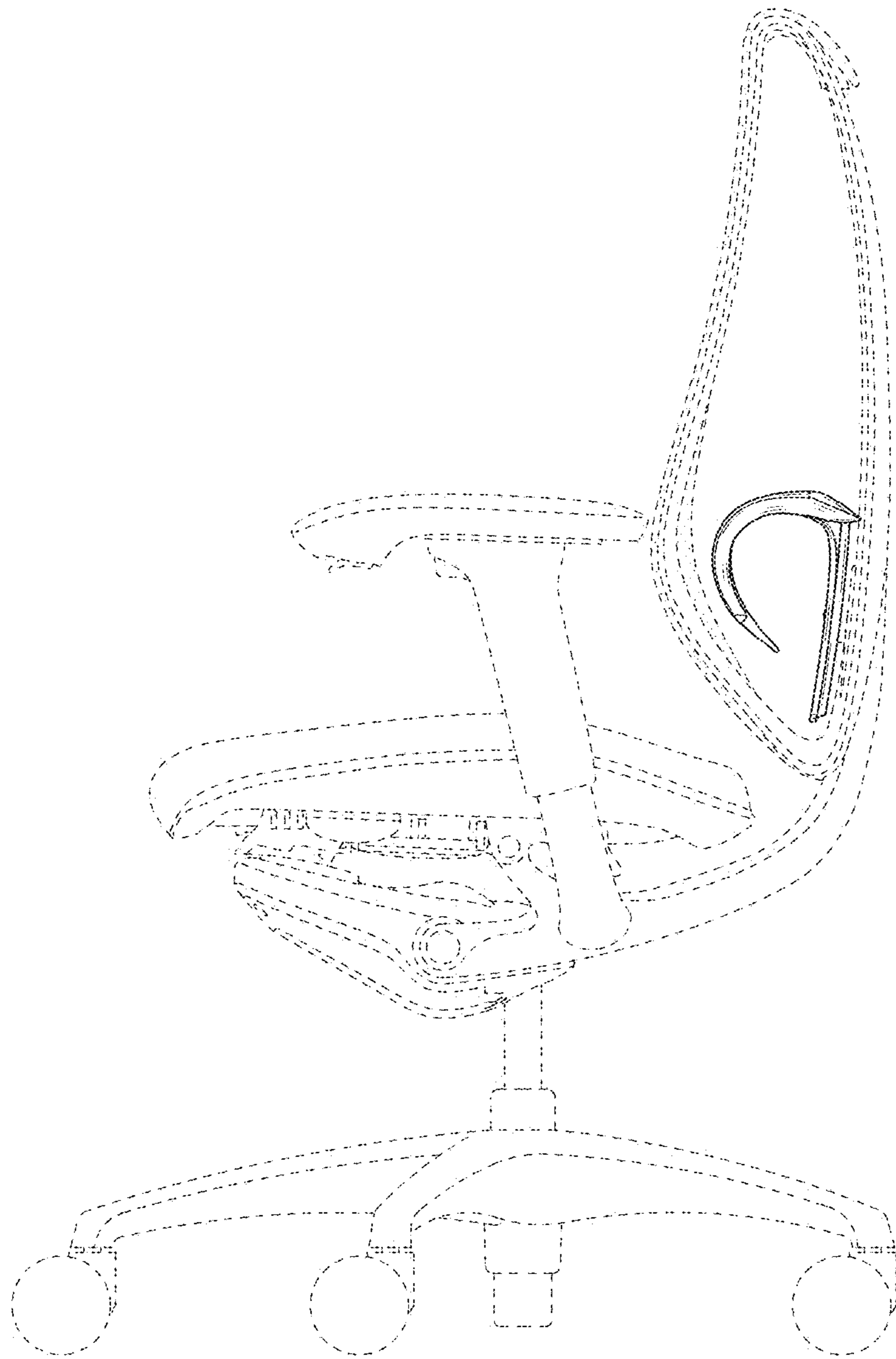


FIG. 6

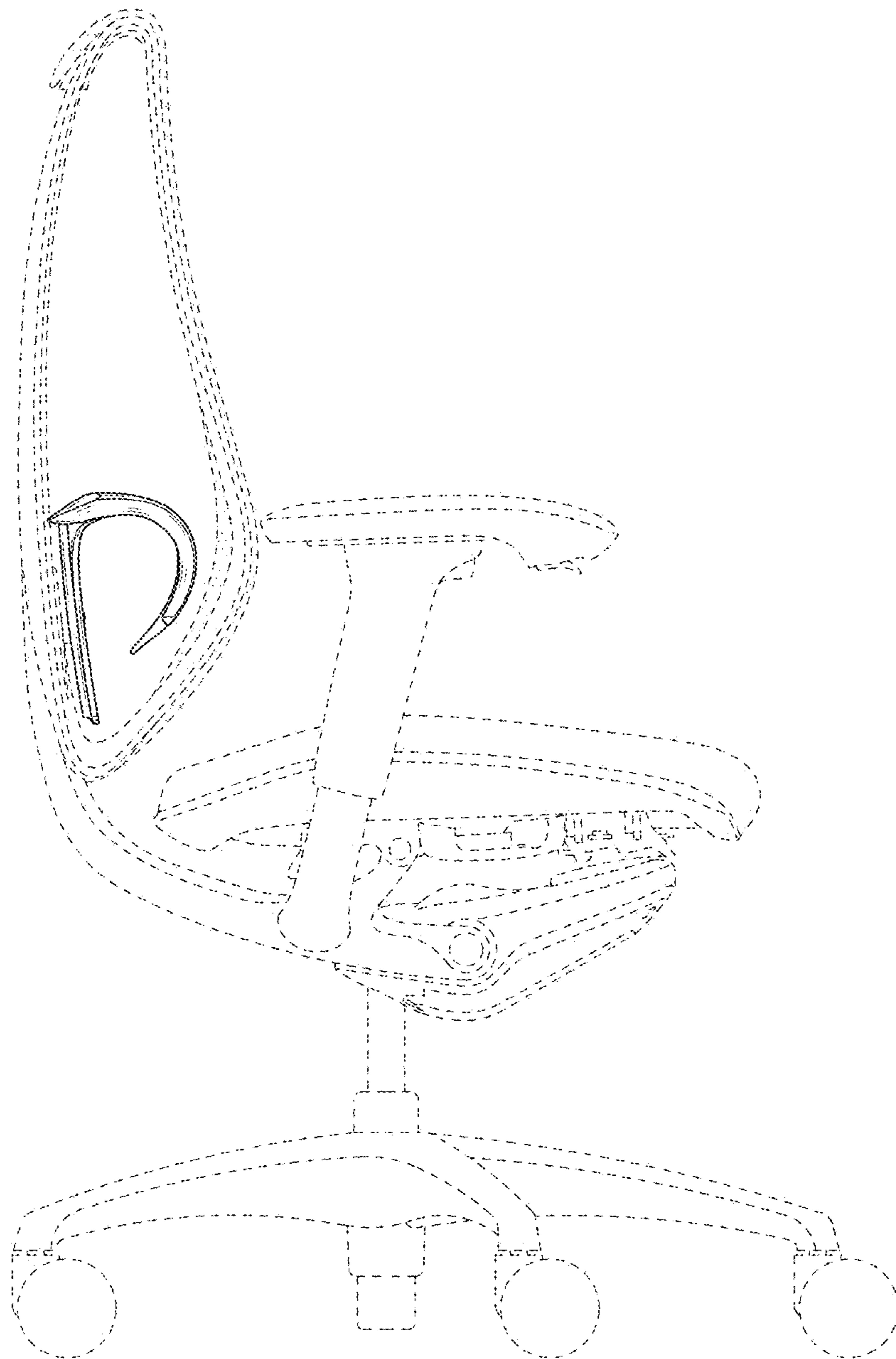


FIG. 7

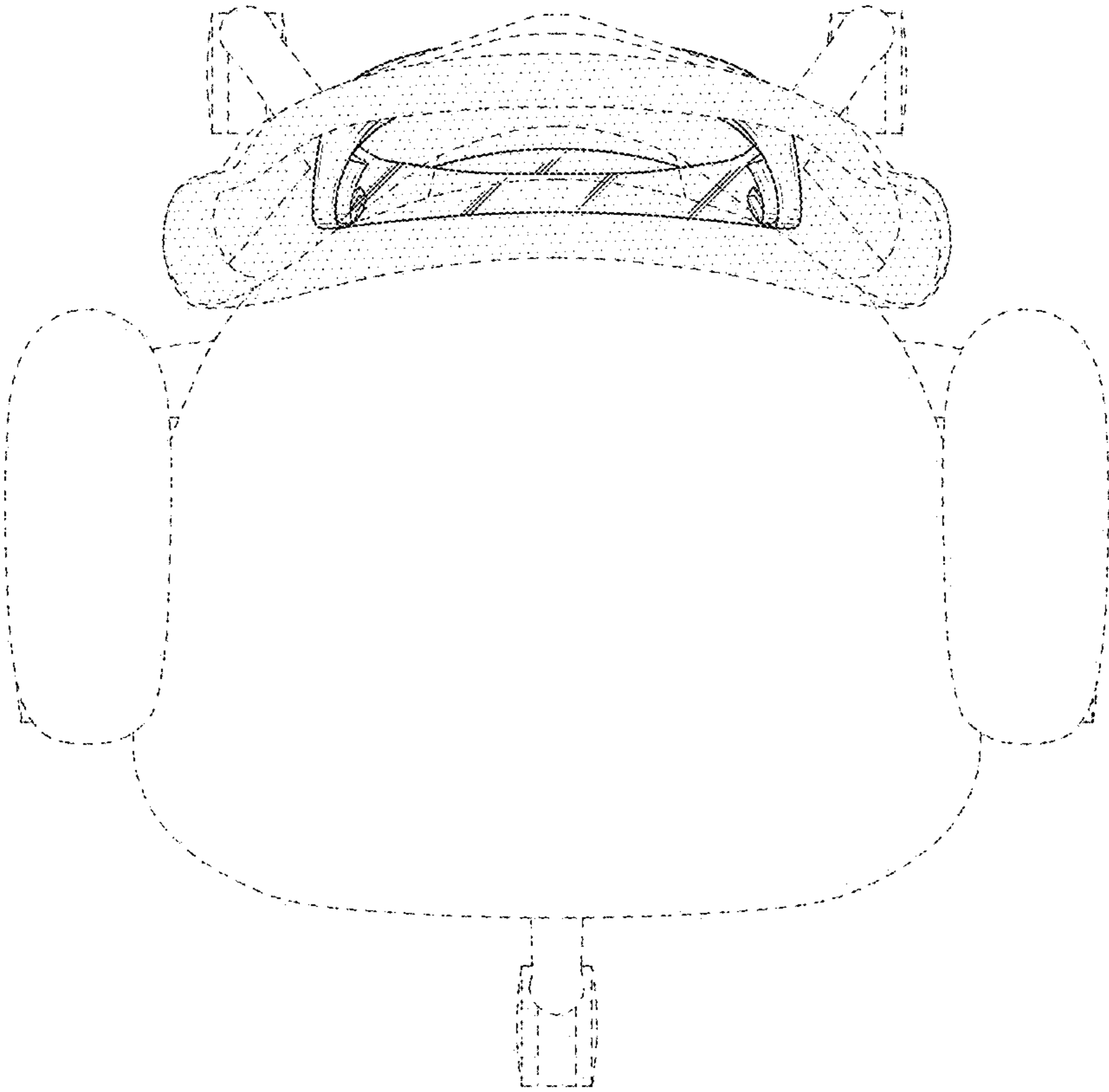


FIG. 8

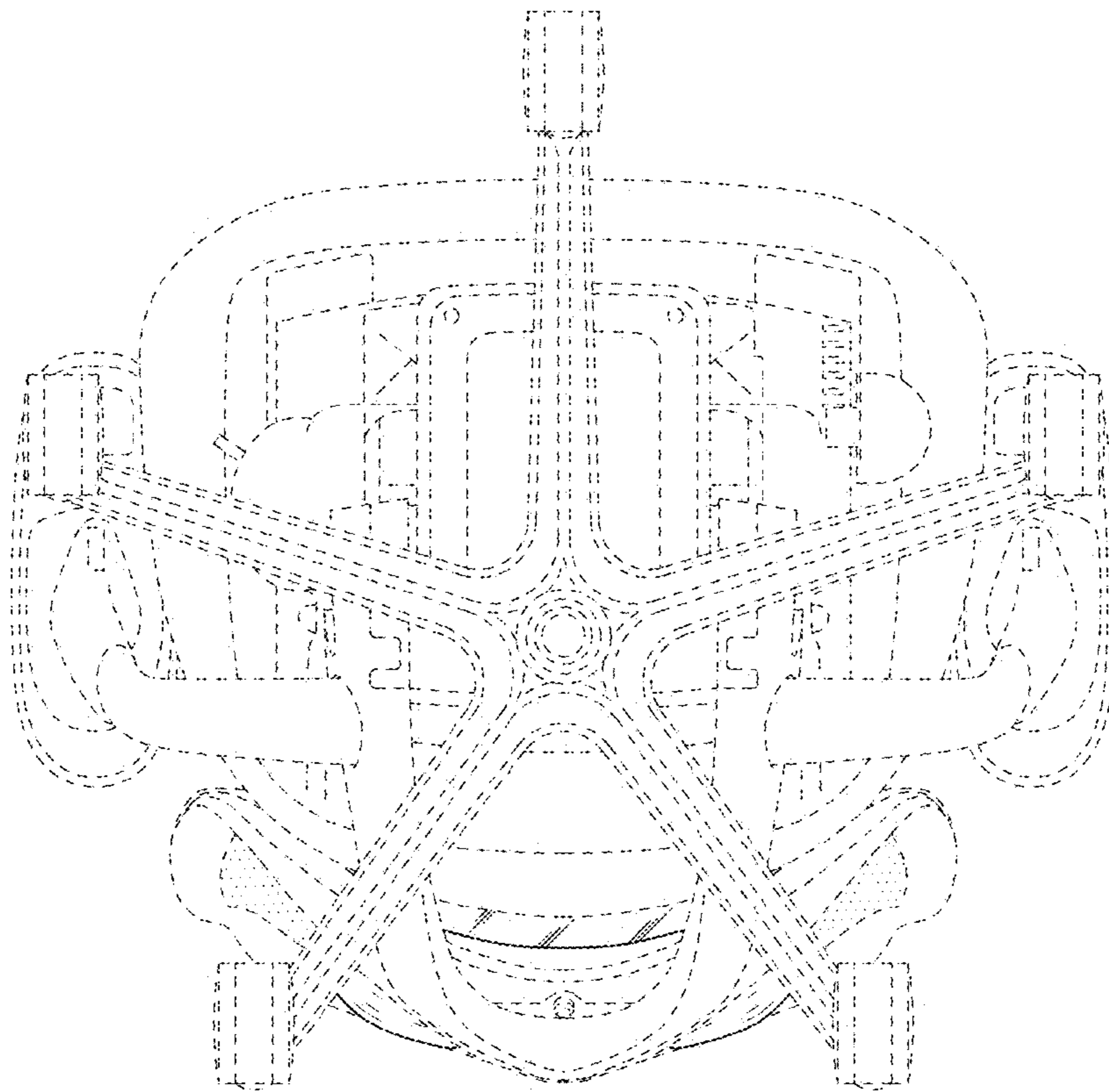


FIG. 9

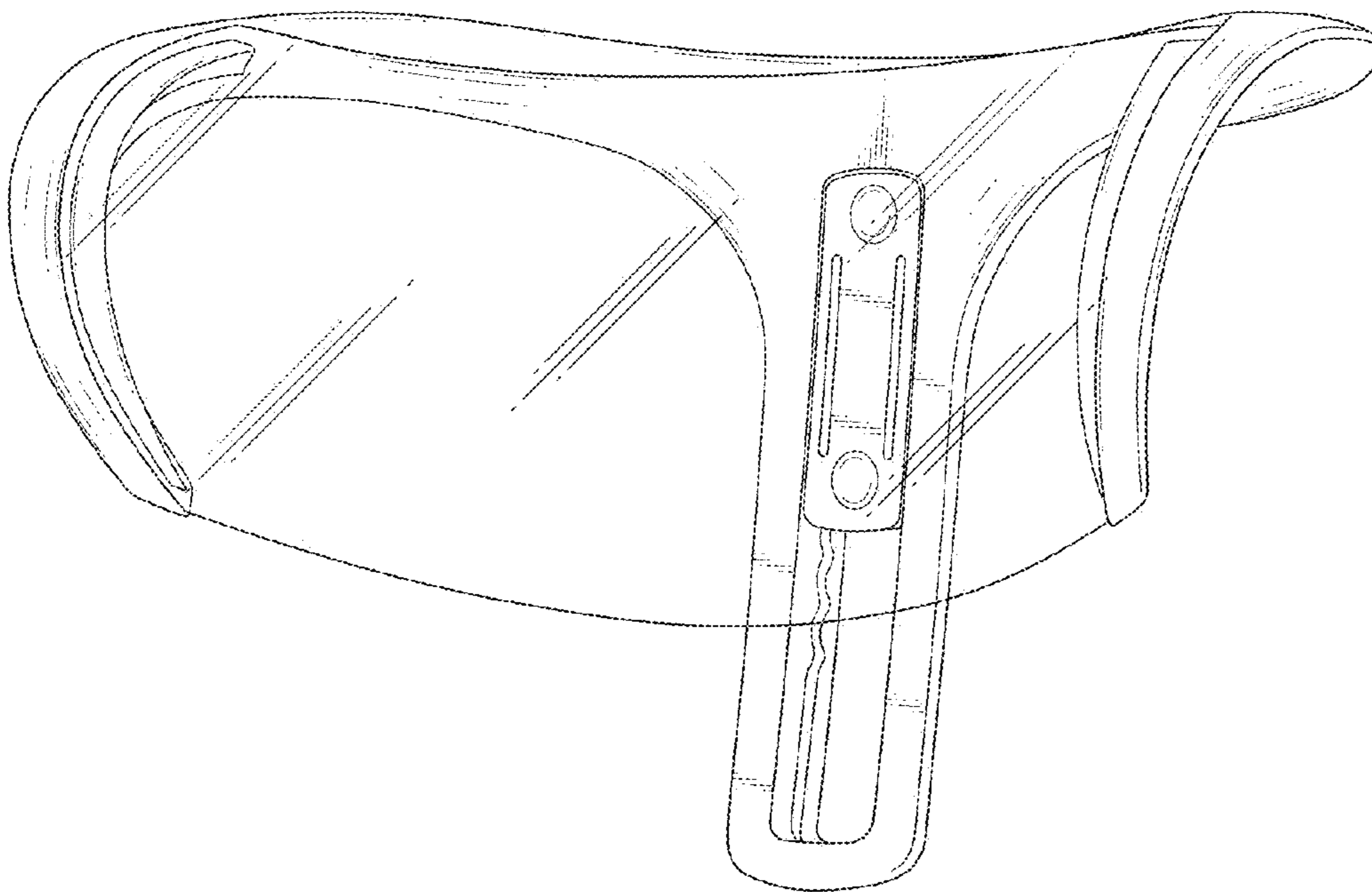


FIG. 10

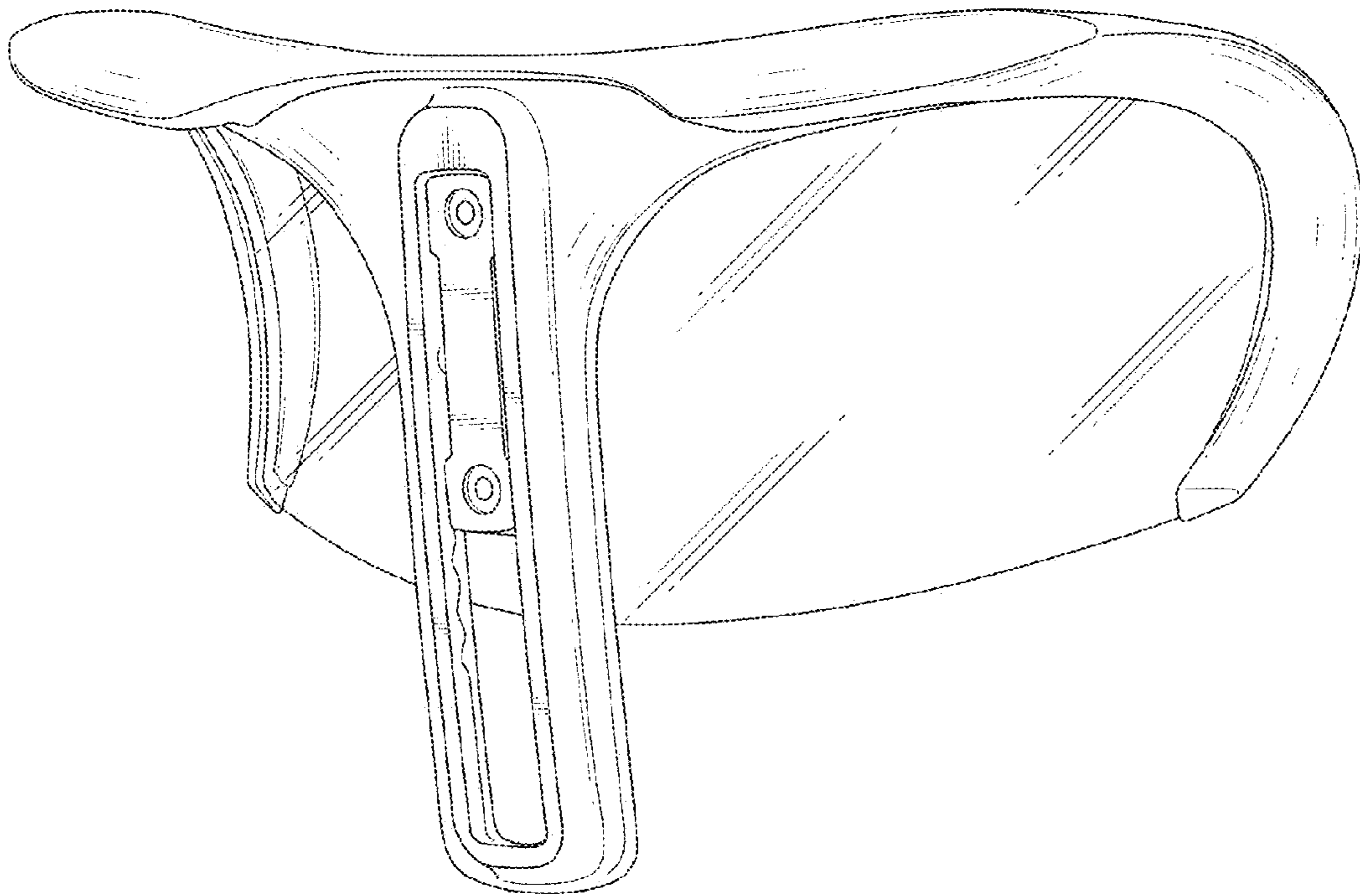


FIG. 11

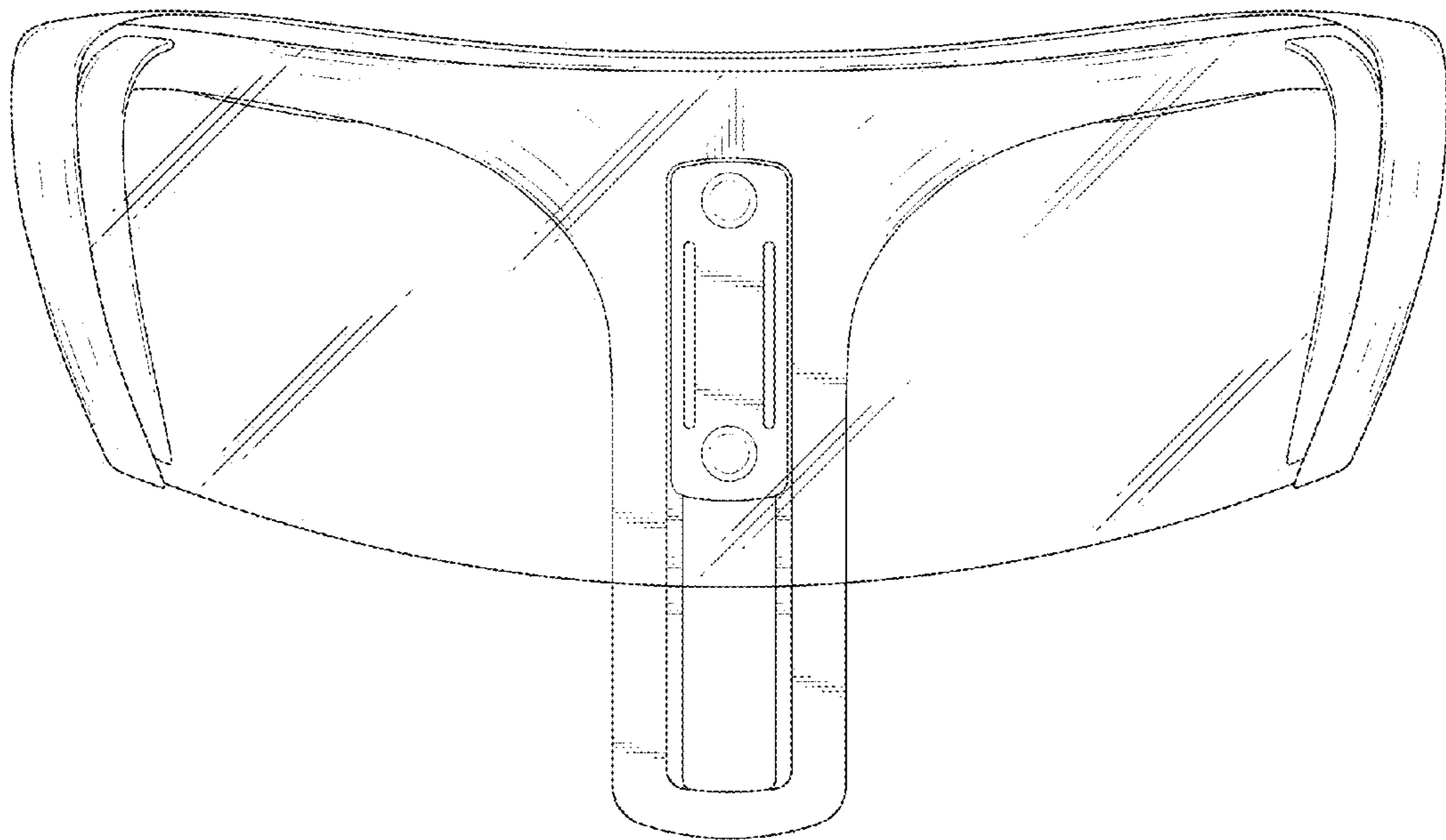


FIG. 12

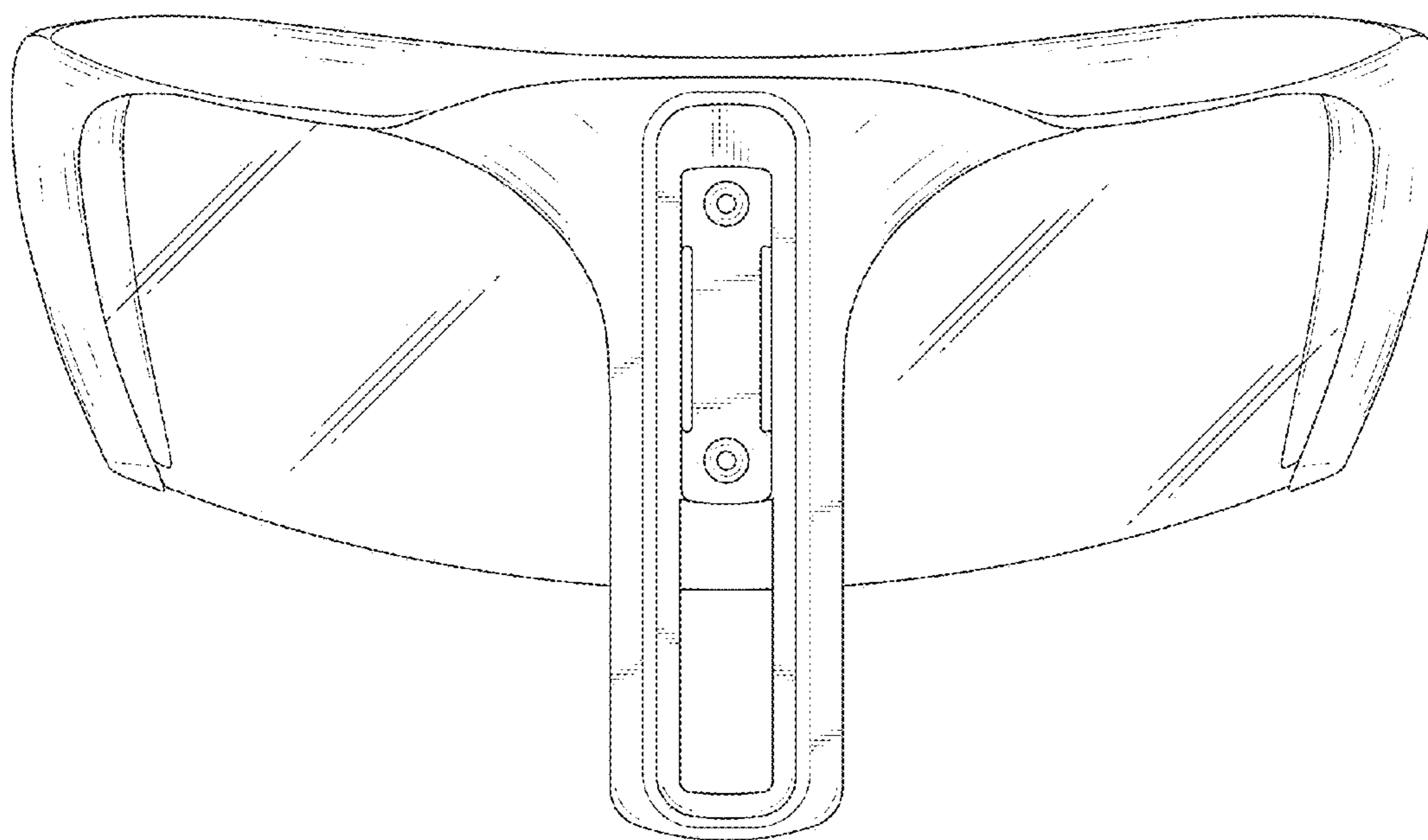


FIG. 13

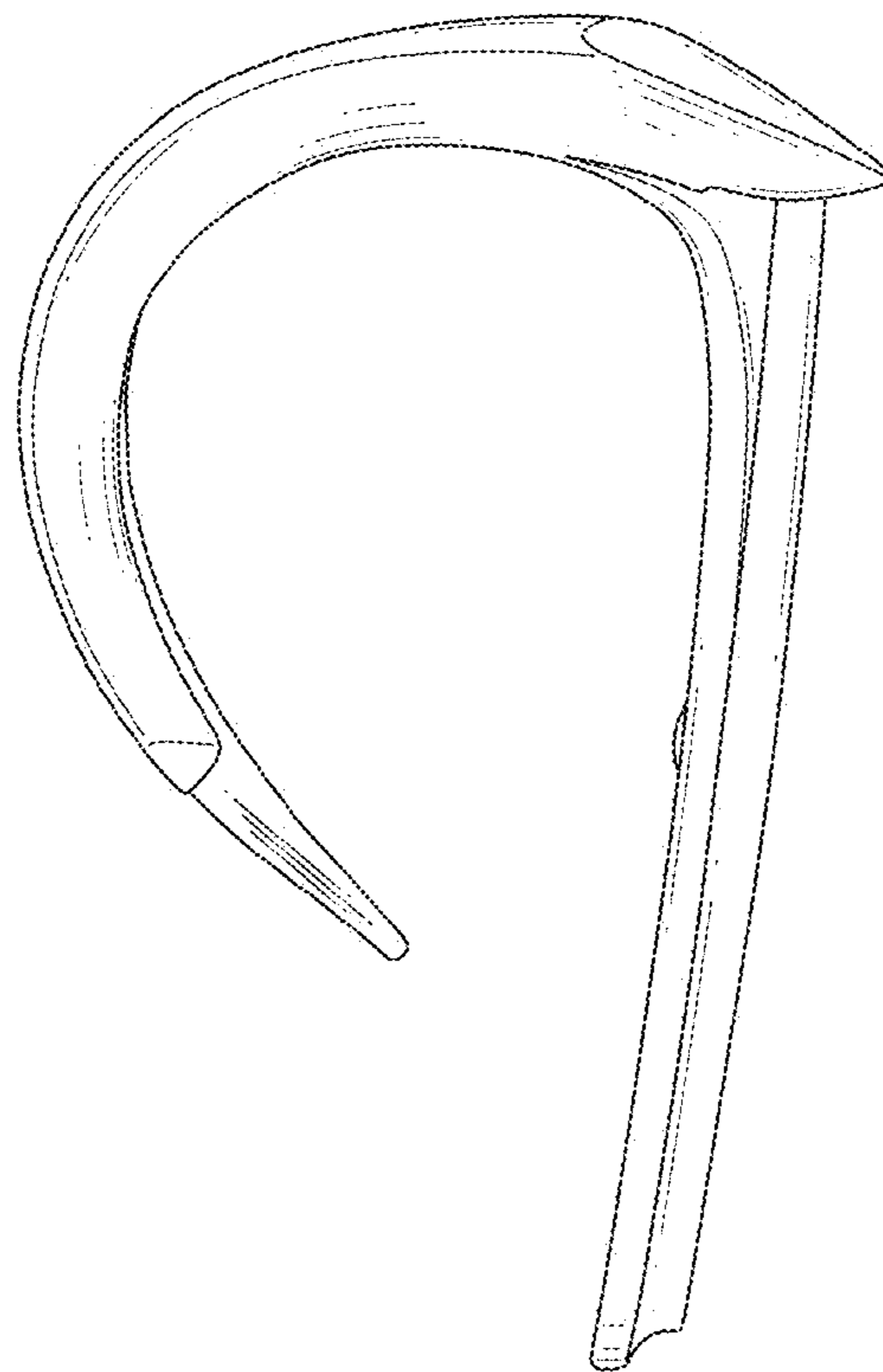


FIG. 14

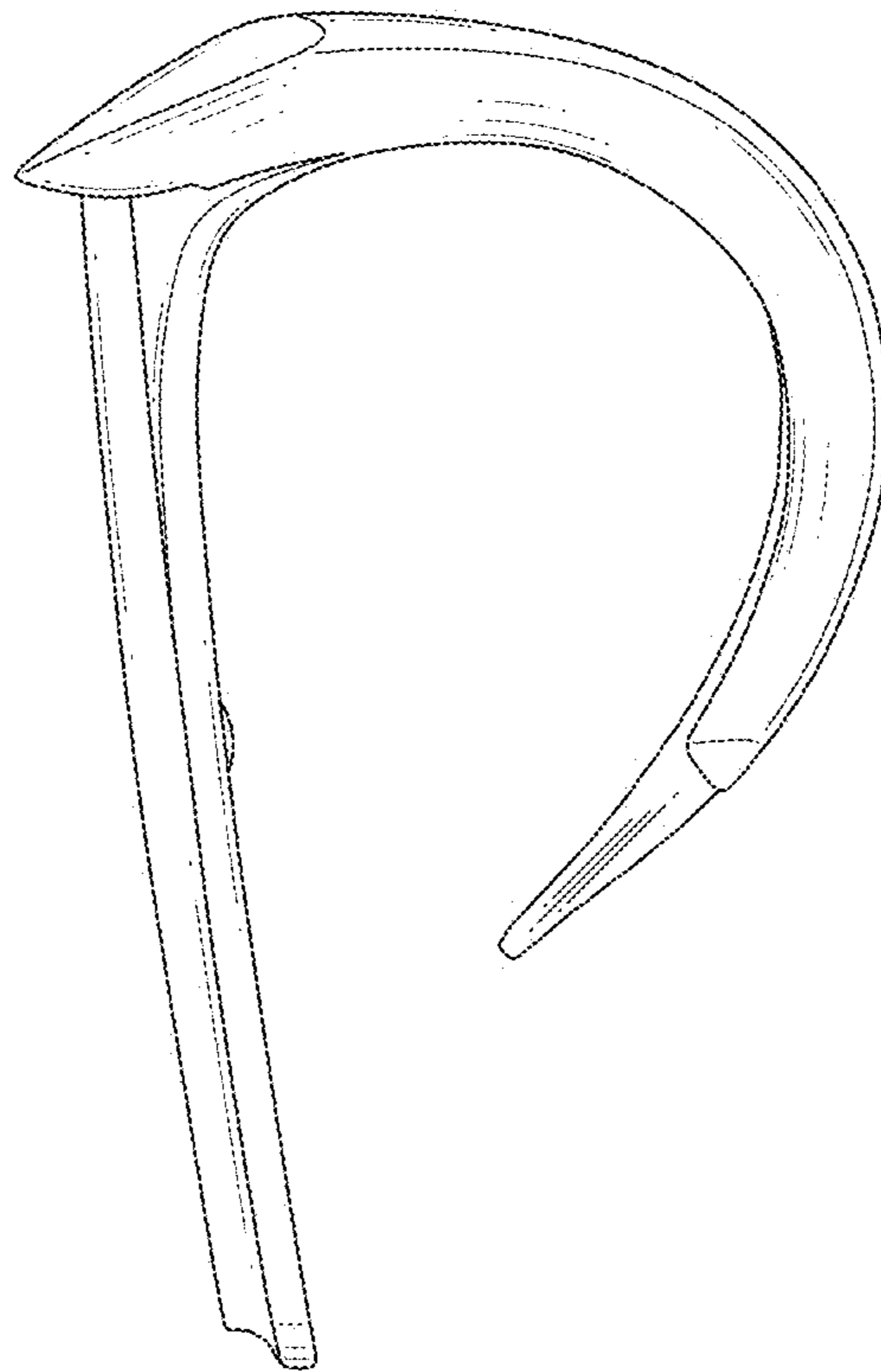


FIG. 15

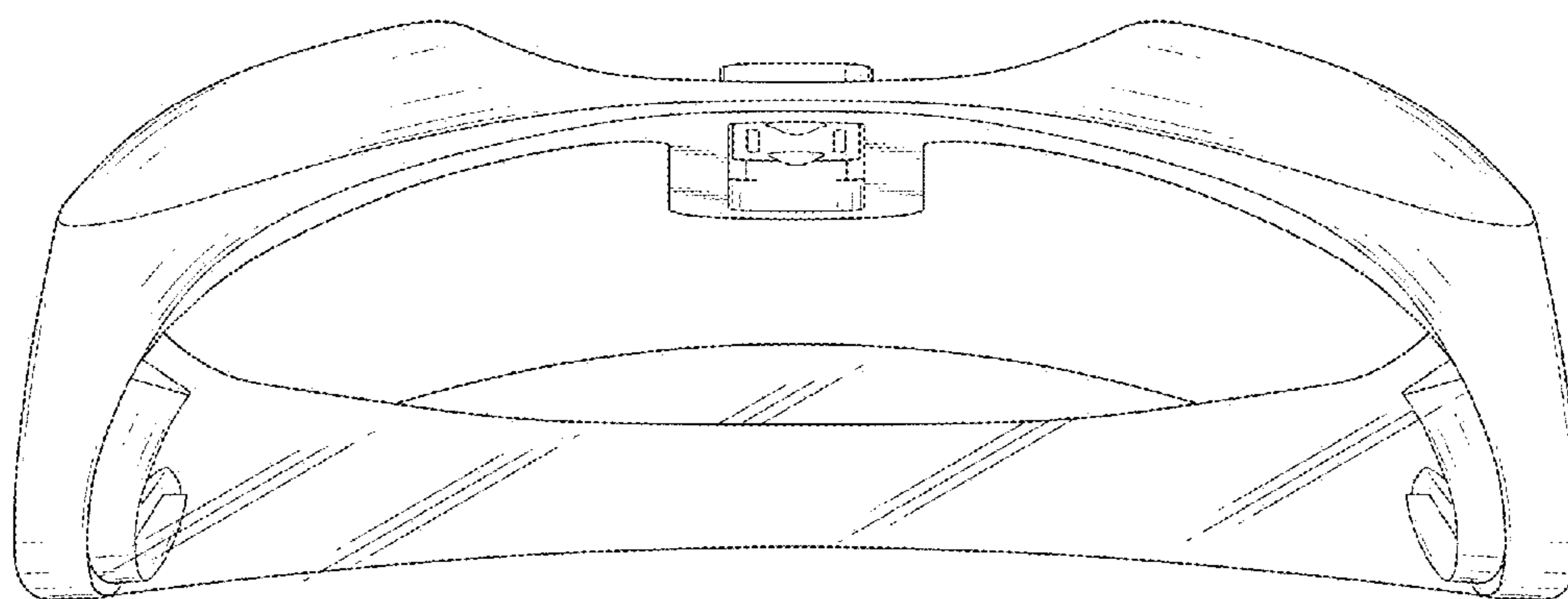


FIG. 16

