



US00D709310S

(12) **United States Design Patent**  
**Brandon**

(10) **Patent No.:** **US D709,310 S**  
(45) **Date of Patent:** **\*\* Jul. 22, 2014**

(54) **CABINET**

(71) Applicant: **Aerie Home, LLC**, Attica, NY (US)

(72) Inventor: **John B. Brandon**, Attica, NY (US)

(73) Assignee: **Aerie Home, LLC**, Attica, NY (US)

(\*\*) Term: **14 Years**

(21) Appl. No.: **29/460,526**

(22) Filed: **Jul. 11, 2013**

(51) **LOC (10) Cl.** ..... **06-06**

(52) **U.S. Cl.**  
USPC ..... **D6/703**

(58) **Field of Classification Search**

USPC ..... D6/657-660, 662.1, 663-664, 664.1,  
D6/668.2, 670-671, 671.1, 671.2, 675.3,  
D6/681, 691.8, 702-703, 703.2-703.4,  
D6/705.5, 705.7; D21/325, 333, 522;  
312/138.1, 204, 224, 257.1, 265.3,  
312/265.6, 293.2, 384.4

See application file for complete search history.

(56) **References Cited**

**U.S. PATENT DOCUMENTS**

D46,792 S \* 12/1914 Purcell ..... D6/439  
D141,108 S \* 5/1945 Christopher ..... D6/437  
D142,256 S \* 8/1945 Glass ..... D6/436  
D252,243 S \* 7/1979 Reitman ..... D6/437  
D296,800 S \* 7/1988 Benedetto et al. .... D21/522

D305,485 S \* 1/1990 Zalesak ..... D6/438  
D328,203 S \* 7/1992 Allen ..... D6/437  
D339,828 S \* 9/1993 Calabro et al. .... D21/325  
D371,918 S \* 7/1996 Brunner et al. .... D6/443  
D438,403 S \* 3/2001 Greenburg ..... D6/466  
D444,314 S \* 7/2001 Cox ..... D6/436  
D494,383 S \* 8/2004 Lee ..... D6/436  
D568,942 S \* 5/2008 Gauselmann ..... D21/333

\* cited by examiner

*Primary Examiner* — Ricky Pham

(74) *Attorney, Agent, or Firm* — Coats and Bennett PLLC

(57) **CLAIM**

The ornamental design for a cabinet, as shown and described.

**DESCRIPTION**

FIG. 1 is a perspective view of the cabinet.

FIG. 2 is a front elevational view of the cabinet.

FIG. 3 is a side elevational view of the cabinet with the opposite side being a mirror image of the same.

FIG. 4 is a perspective view of an alternate design for the cabinet.

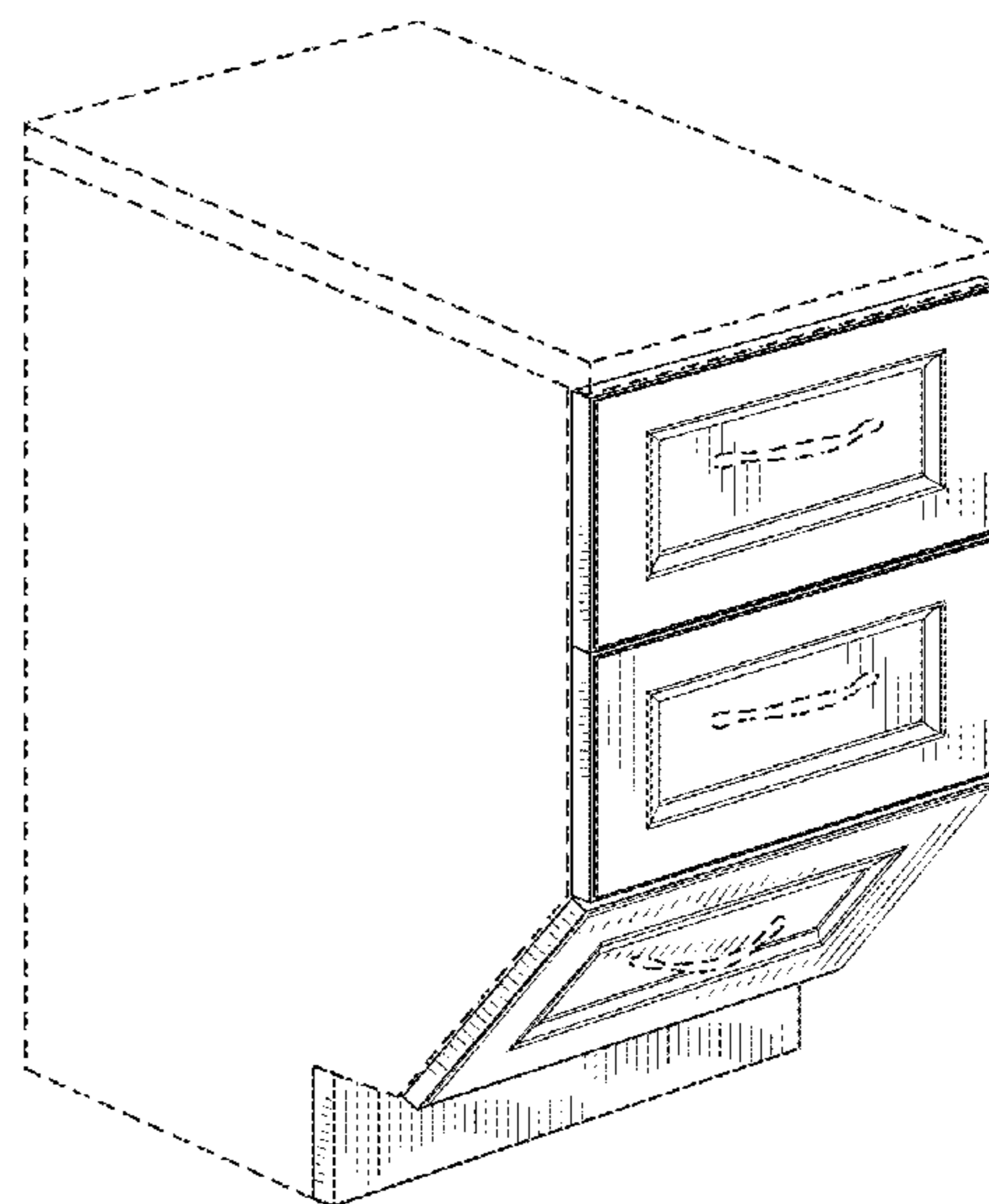
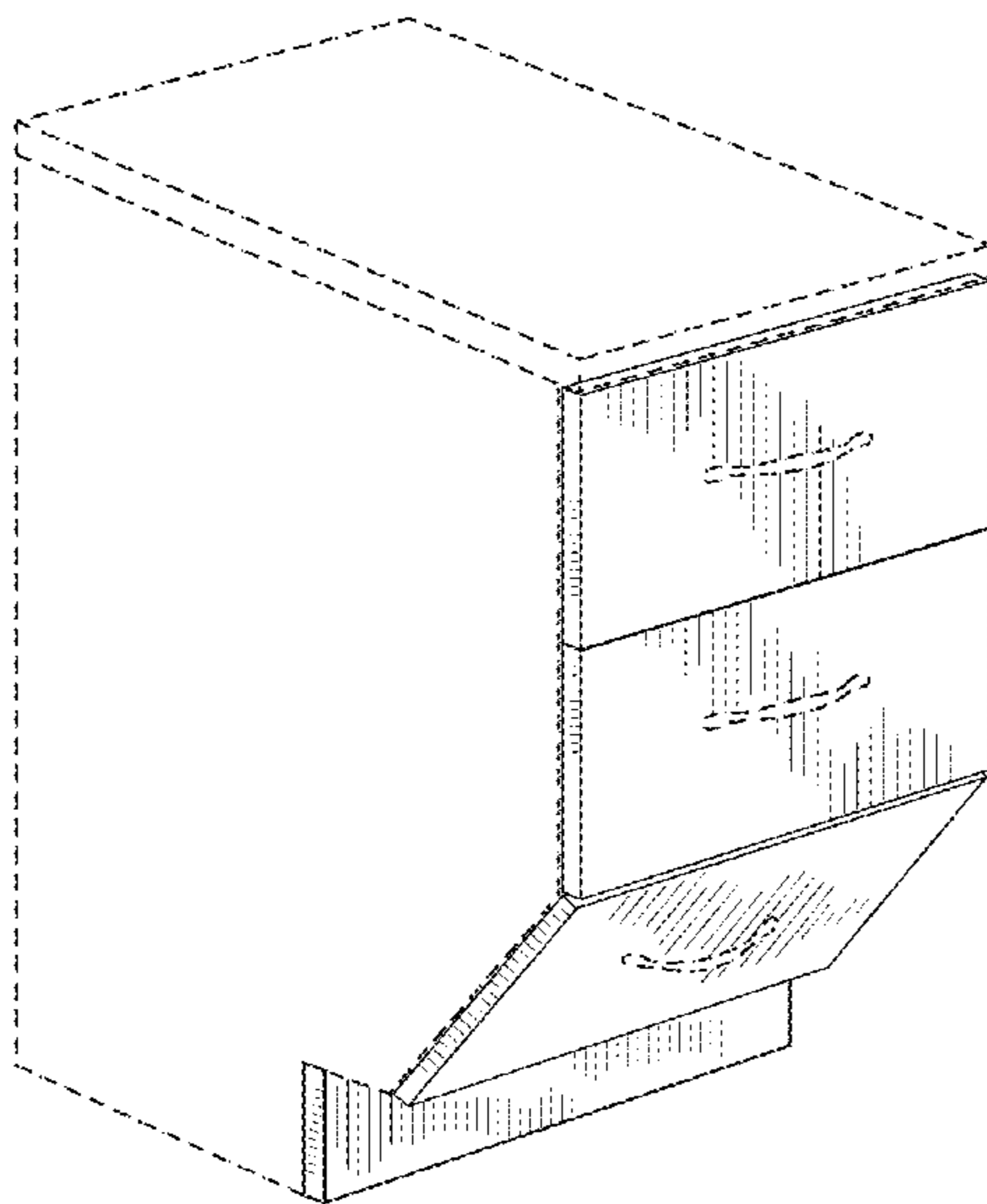
FIG. 5 is a front elevational view of the cabinet shown in FIG. 4; and,

FIG. 6 is a side elevational view of the cabinet shown in FIG. 4 with the opposite side being a mirror image of the same.

Portions of the designs shown in broken lines form no part of the claimed design.

The top, bottom, back and side portions of the cabinet form no part of the claimed design.

**1 Claim, 6 Drawing Sheets**



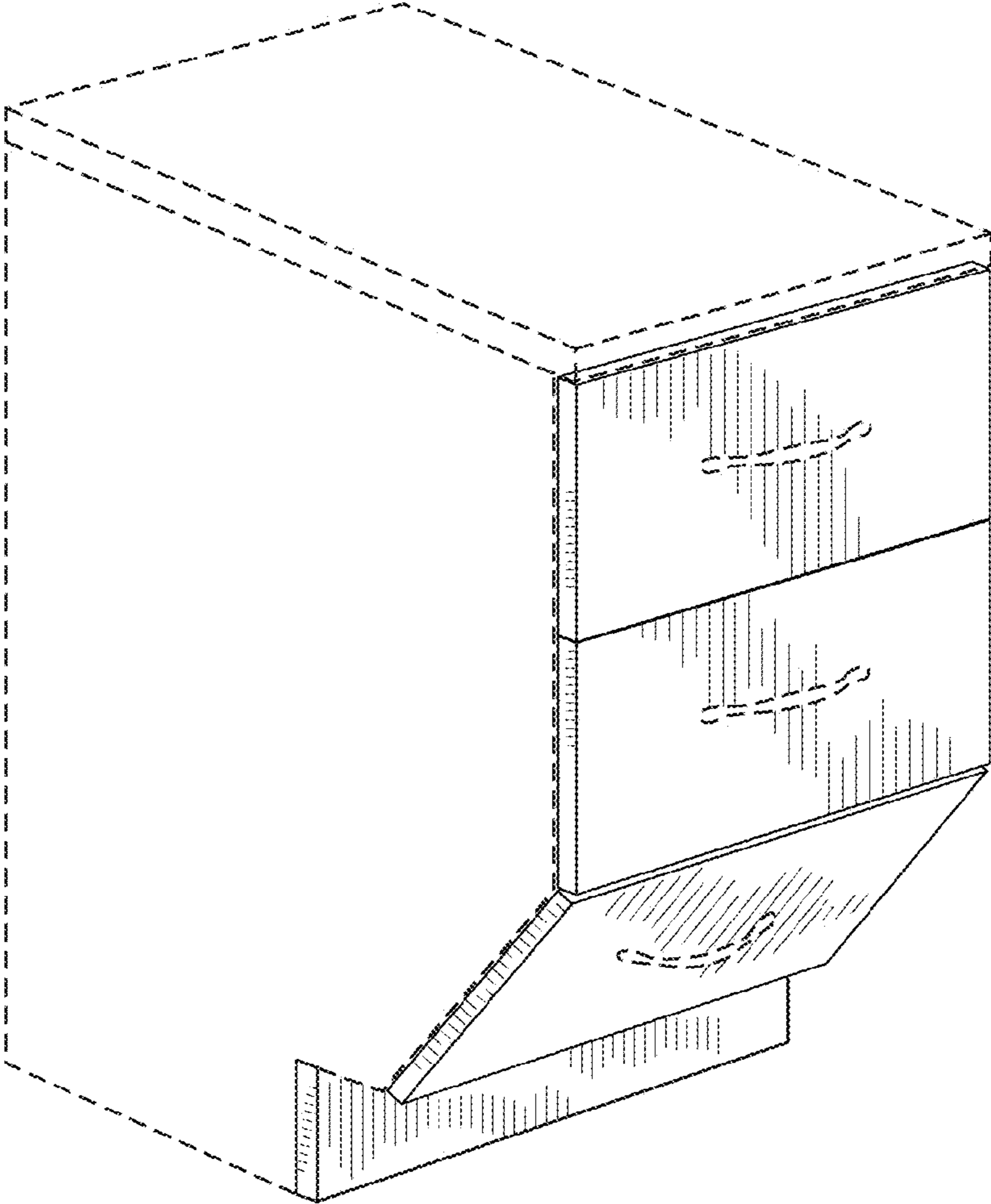
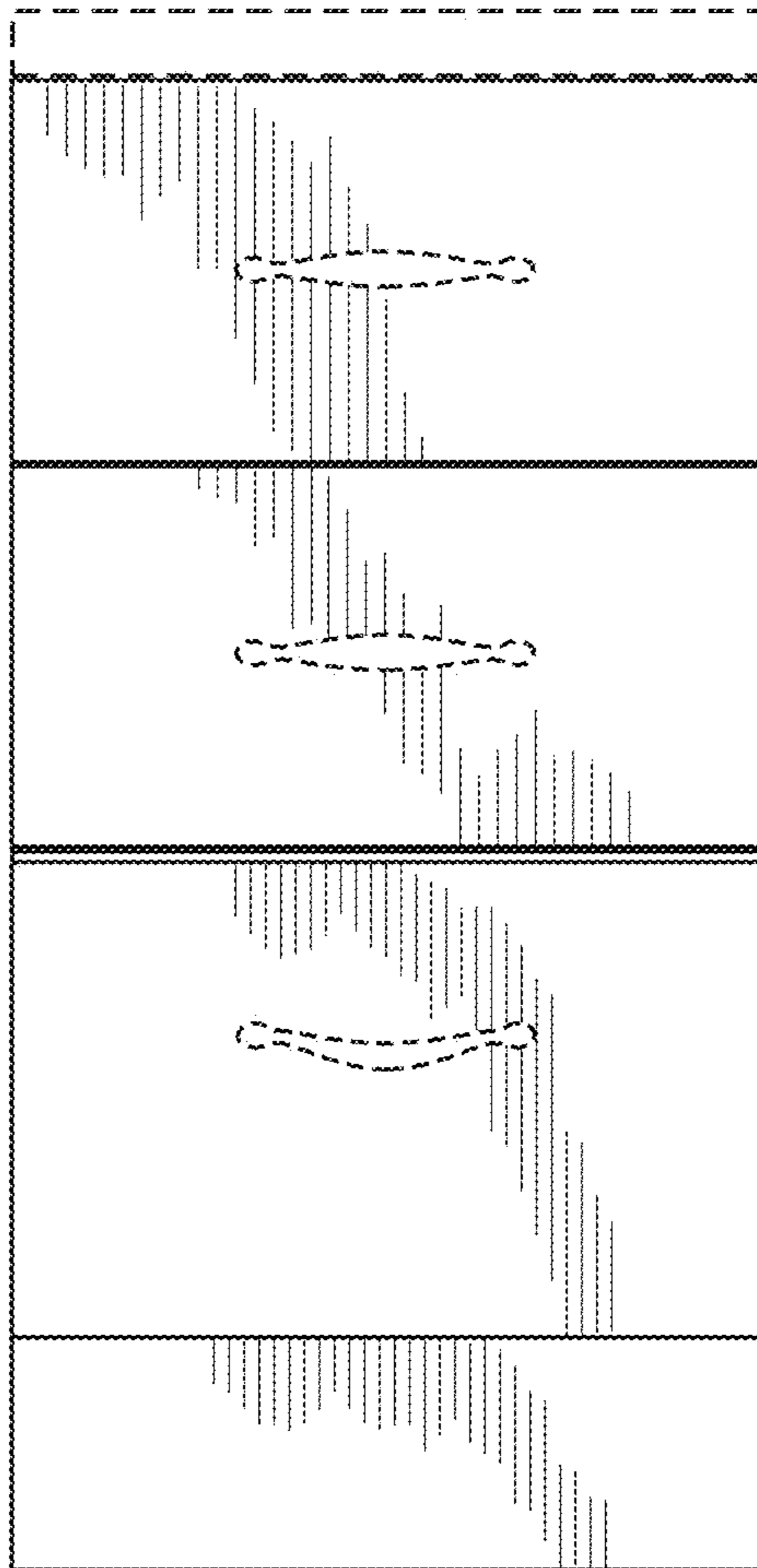


FIG. 1



**FIG. 2**

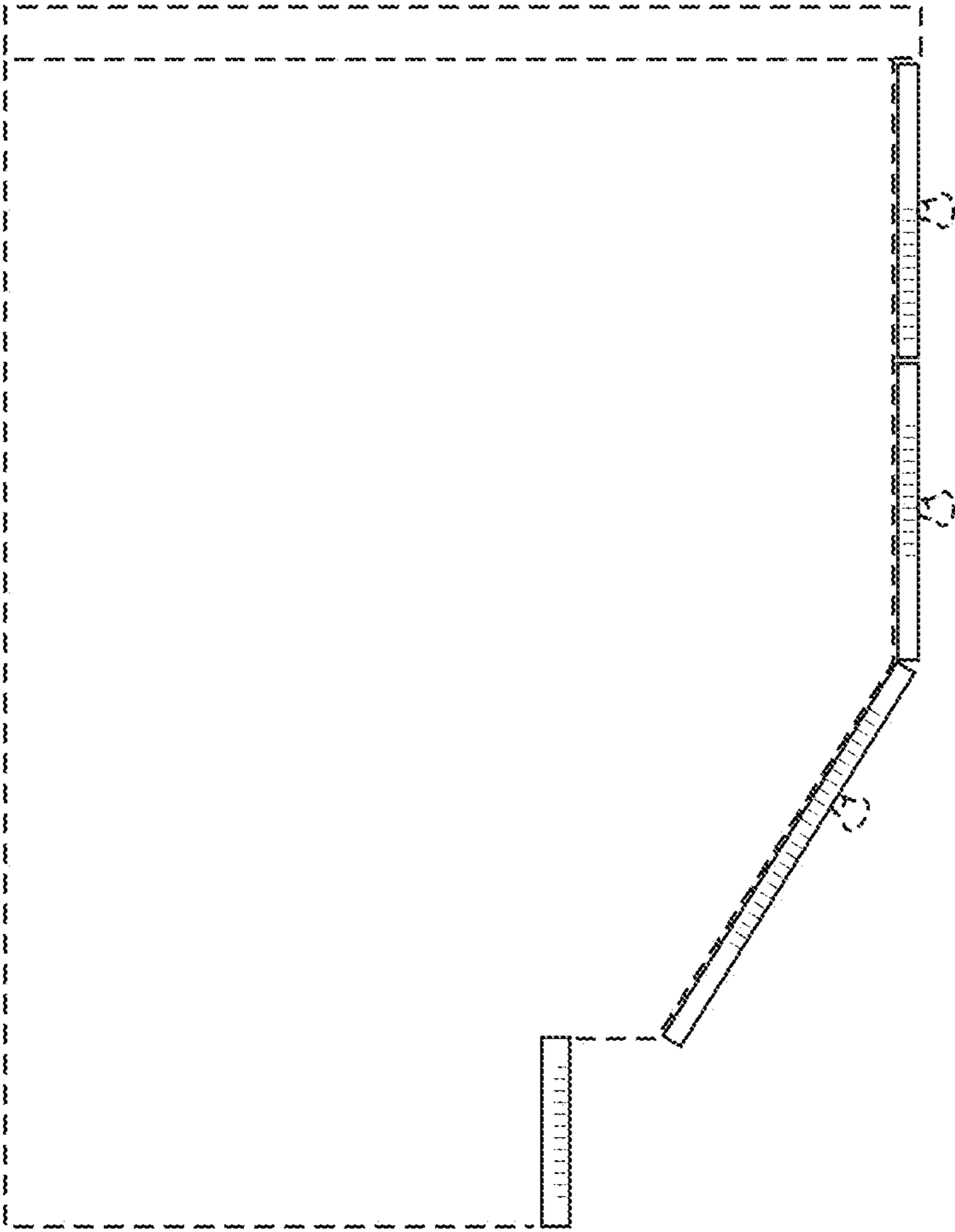


FIG. 3

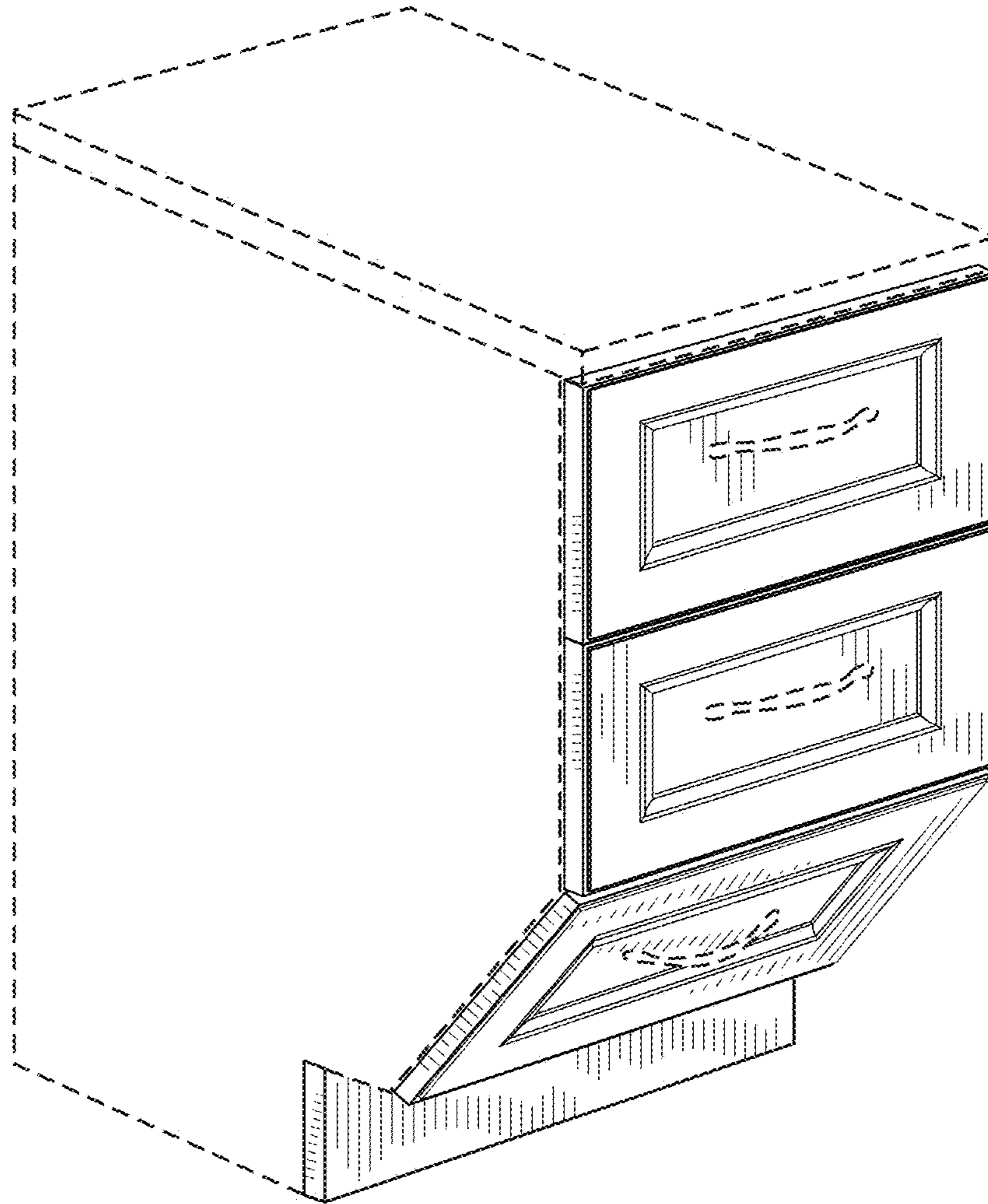
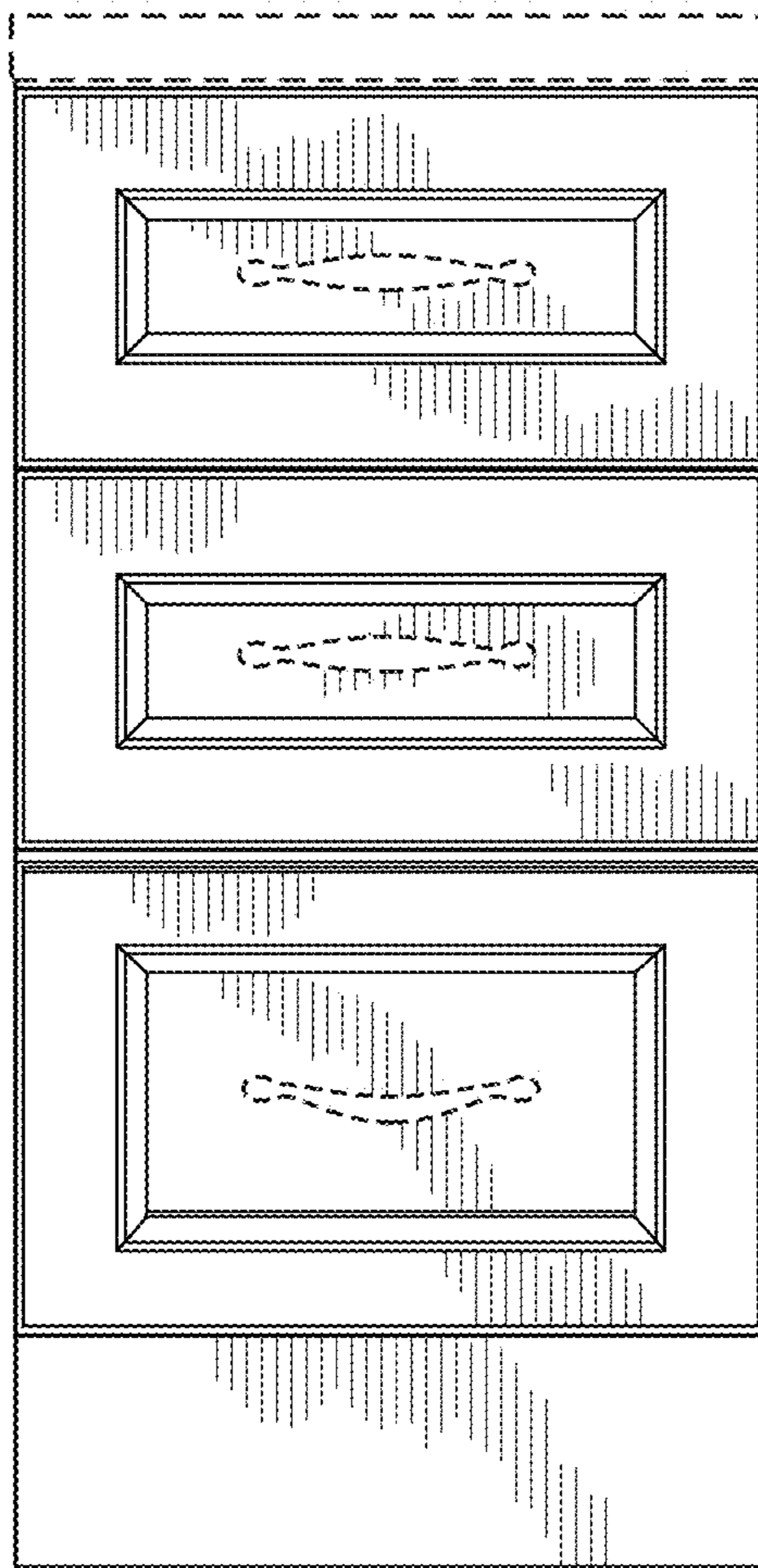


FIG. 4



**FIG. 5**

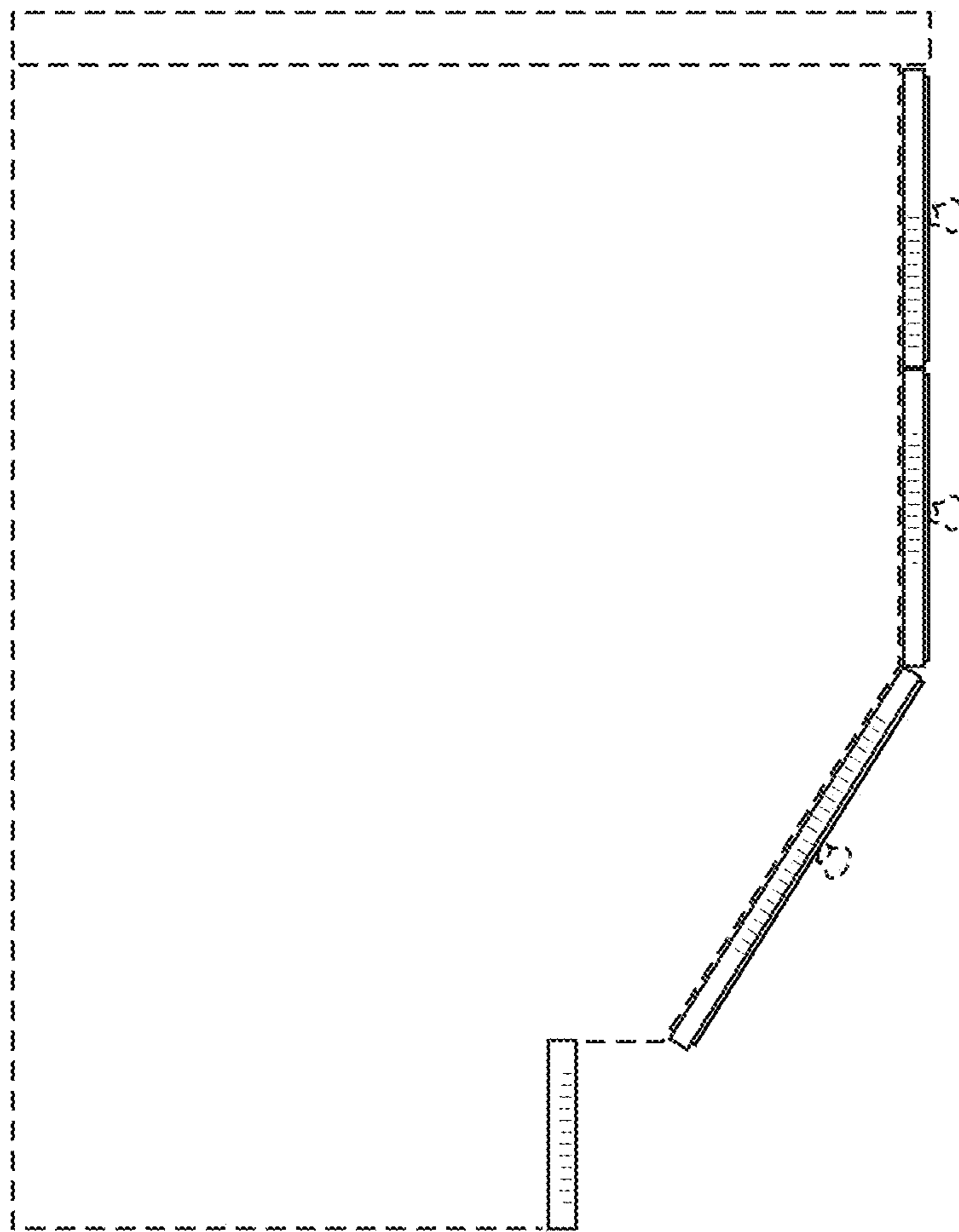


FIG. 6