



US00D709309S

(12) **United States Design Patent**
Brandon

(10) **Patent No.:** **US D709,309 S**
(45) **Date of Patent:** **** Jul. 22, 2014**

(54) **CABINET**

(71) Applicant: **Aerie Home, LLC**, Attica, NY (US)

(72) Inventor: **John B. Brandon**, Attica, NY (US)

(73) Assignee: **Aerie Home, LLC**, Attica, NY (US)

(**) Term: **14 Years**

(21) Appl. No.: **29/460,521**

(22) Filed: **Jul. 11, 2013**

(51) **LOC (10) Cl.** **06-06**

(52) **U.S. Cl.**

USPC **D6/703**

(58) **Field of Classification Search**

USPC D6/657-660, 662.1, 663-664, 664.1,
D6/668.2, 670-671, 671.1, 671.2, 675.3,
D6/681, 691.8, 702-703, 703.2-703.4,
D6/705.5, 705.7; D21/325, 333, 522;
312/138.1, 204, 224, 257.1, 265.3,
312/265.6, 293.2, 384.4

See application file for complete search history.

(56) **References Cited**

U.S. PATENT DOCUMENTS

D46,792 S *	12/1914	Purcell	D6/439
D141,108 S *	5/1945	Christopher	D6/437
D142,256 S *	8/1945	Glass	D6/436
D252,243 S *	7/1979	Reitman	D6/437
D296,800 S *	7/1988	Benedetto et al.	D21/522
D305,485 S *	1/1990	Zalesak	D6/438
D328,203 S *	7/1992	Allen	D6/437
D339,828 S *	9/1993	Calabro et al.	D21/325
D371,918 S *	7/1996	Brunner et al.	D6/443
D438,403 S *	3/2001	Greenburg	D6/466

D444,314 S *	7/2001	Cox	D6/436
D494,383 S *	8/2004	Lee	D6/436
D568,942 S *	5/2008	Gauselmann	D21/333

* cited by examiner

Primary Examiner — Ricky Pham

(74) *Attorney, Agent, or Firm* — Coats and Bennett PLLC

(57) **CLAIM**

The ornamental design for a cabinet, as shown and described.

DESCRIPTION

FIG. 1 is a perspective view of the cabinet.

FIG. 2 is a front elevational view of the cabinet.

FIG. 3 is a side elevational view of the cabinet with the opposite side being a mirror image of the same.

FIG. 4 is a perspective view of an alternate design for the cabinet.

FIG. 5 is a front elevational view of the cabinet shown in FIG. 4.

FIG. 6 is a side elevational view of the cabinet shown in FIG. 4 with the opposite side being a mirror image of the same.

FIG. 7 is a perspective view of another alternate design for the cabinet.

FIG. 8 is a front elevational view of the cabinet shown in FIG. 7.

FIG. 9 is a side elevational view of the cabinet shown in FIG. 7 with the opposite side being a mirror image of the same.

FIG. 10 is a perspective view of an alternate design for the cabinet.

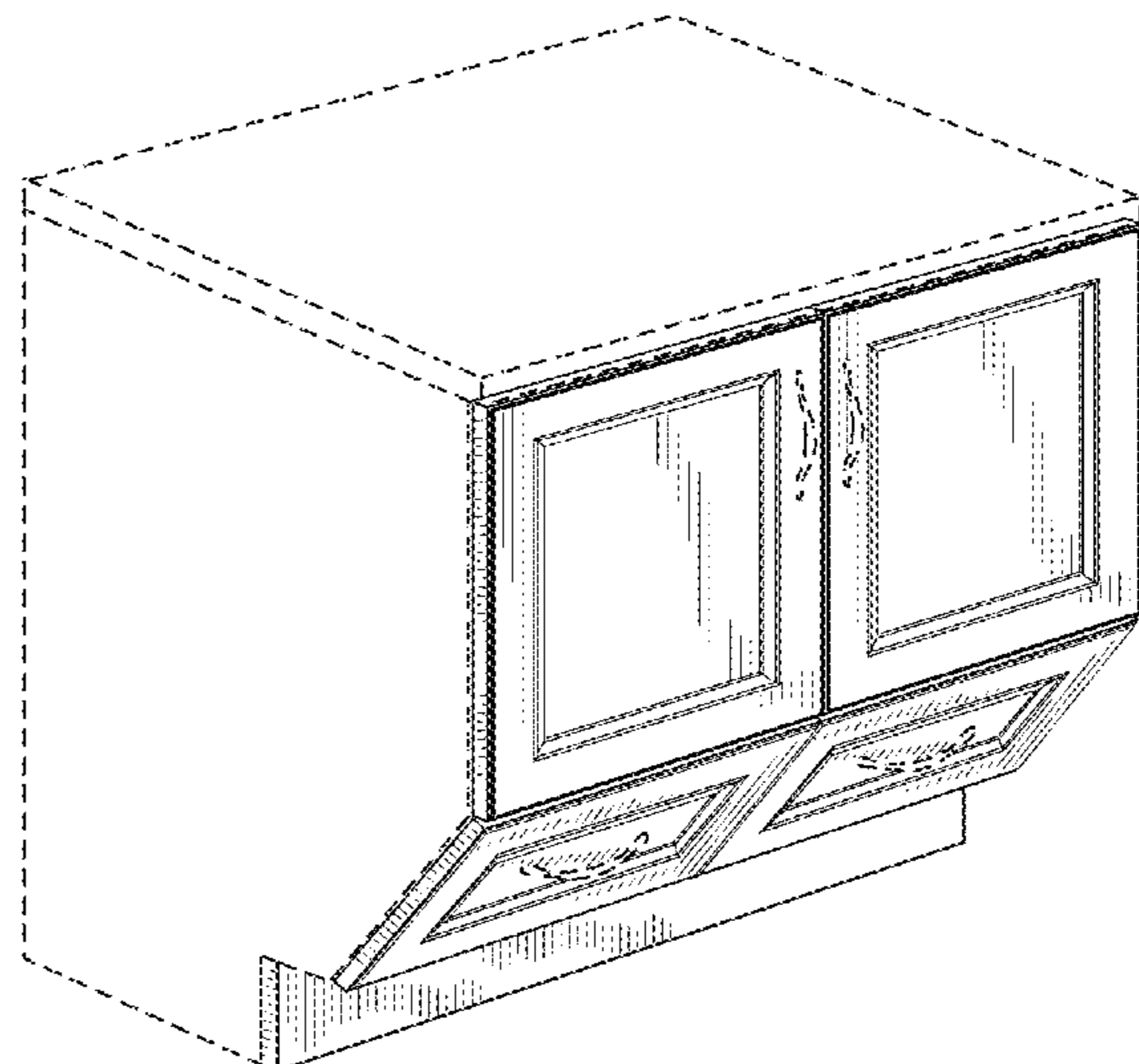
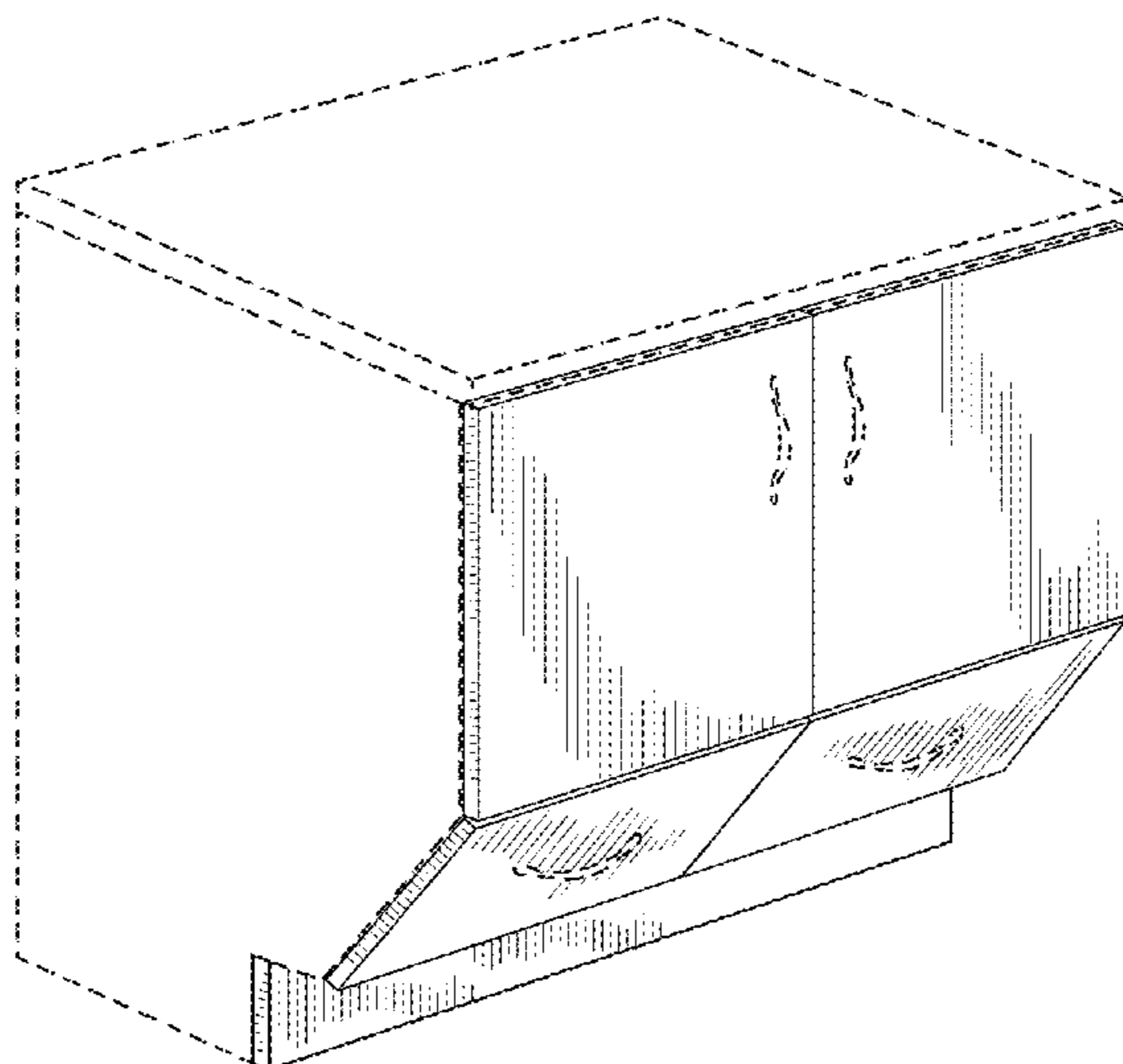
FIG. 11 is a front elevational view of the cabinet shown in FIG. 10; and,

FIG. 12 is a side elevational view of the cabinet shown in FIG. 10 with the opposite side being a mirror image of the same.

Portions of the designs shown in broken lines form no part of the claimed design.

The top, bottom, back and side portions of the cabinet form no part of the claimed design.

1 Claim, 12 Drawing Sheets



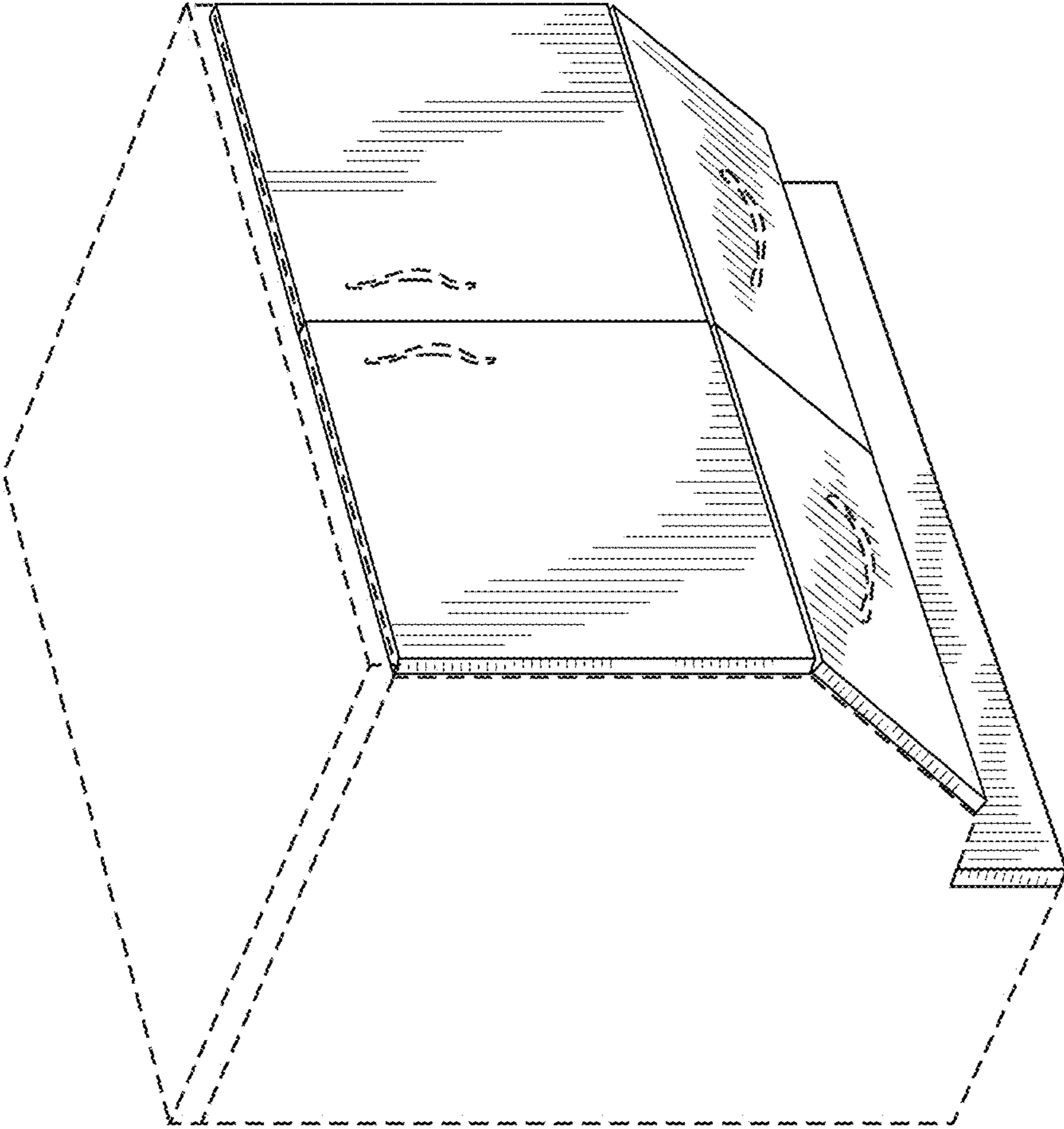


FIG. 1

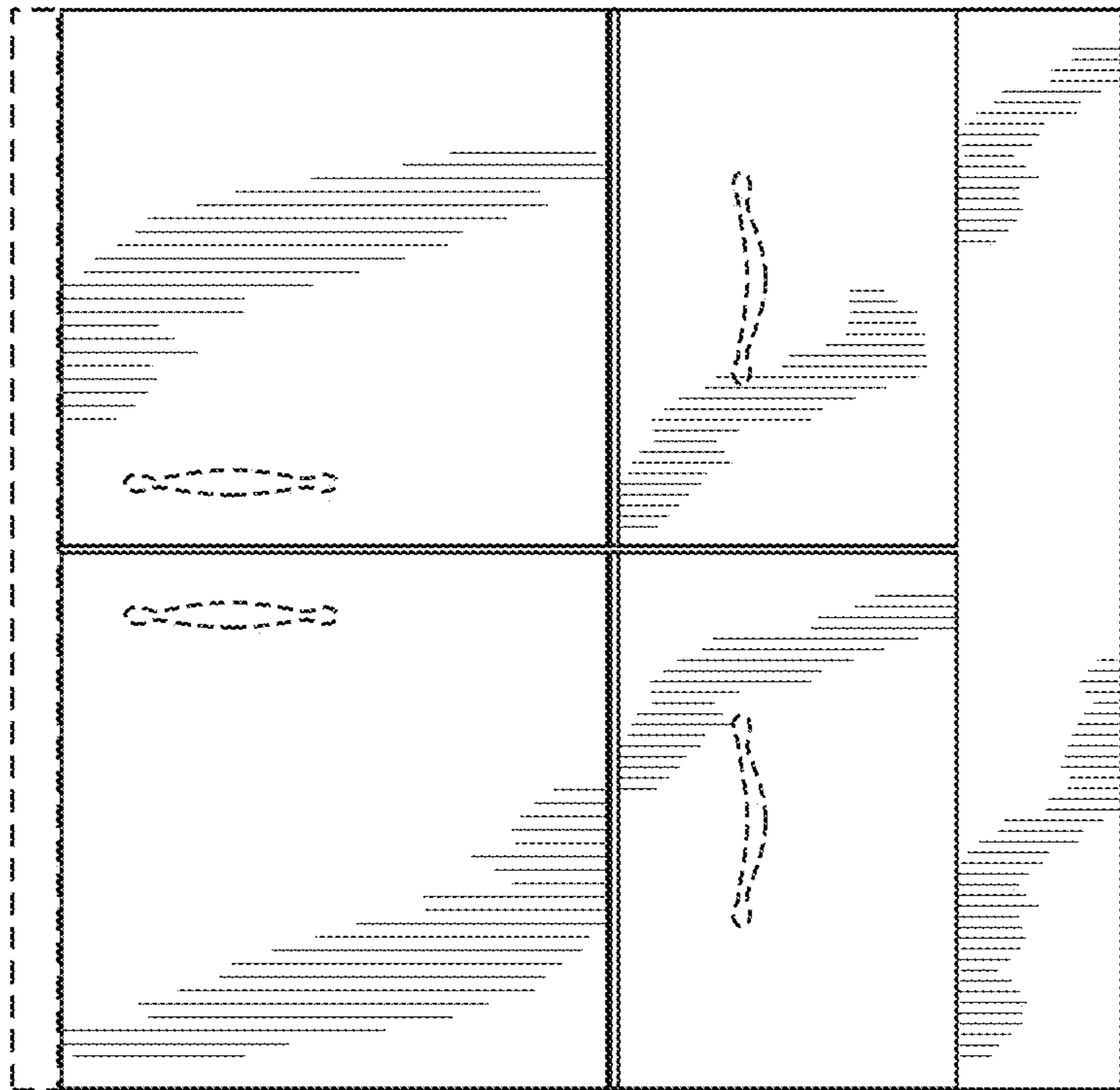


FIG. 2

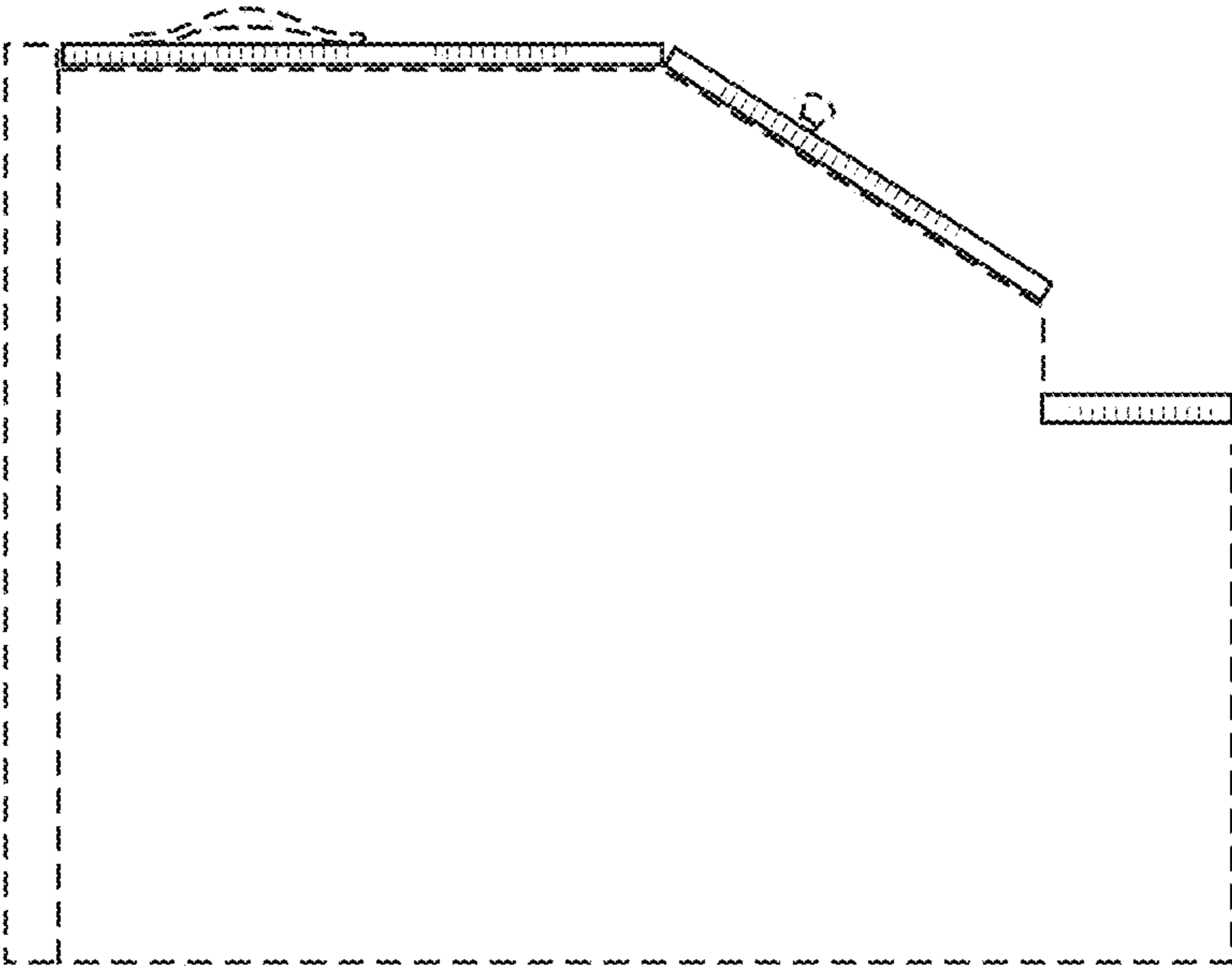


FIG. 3

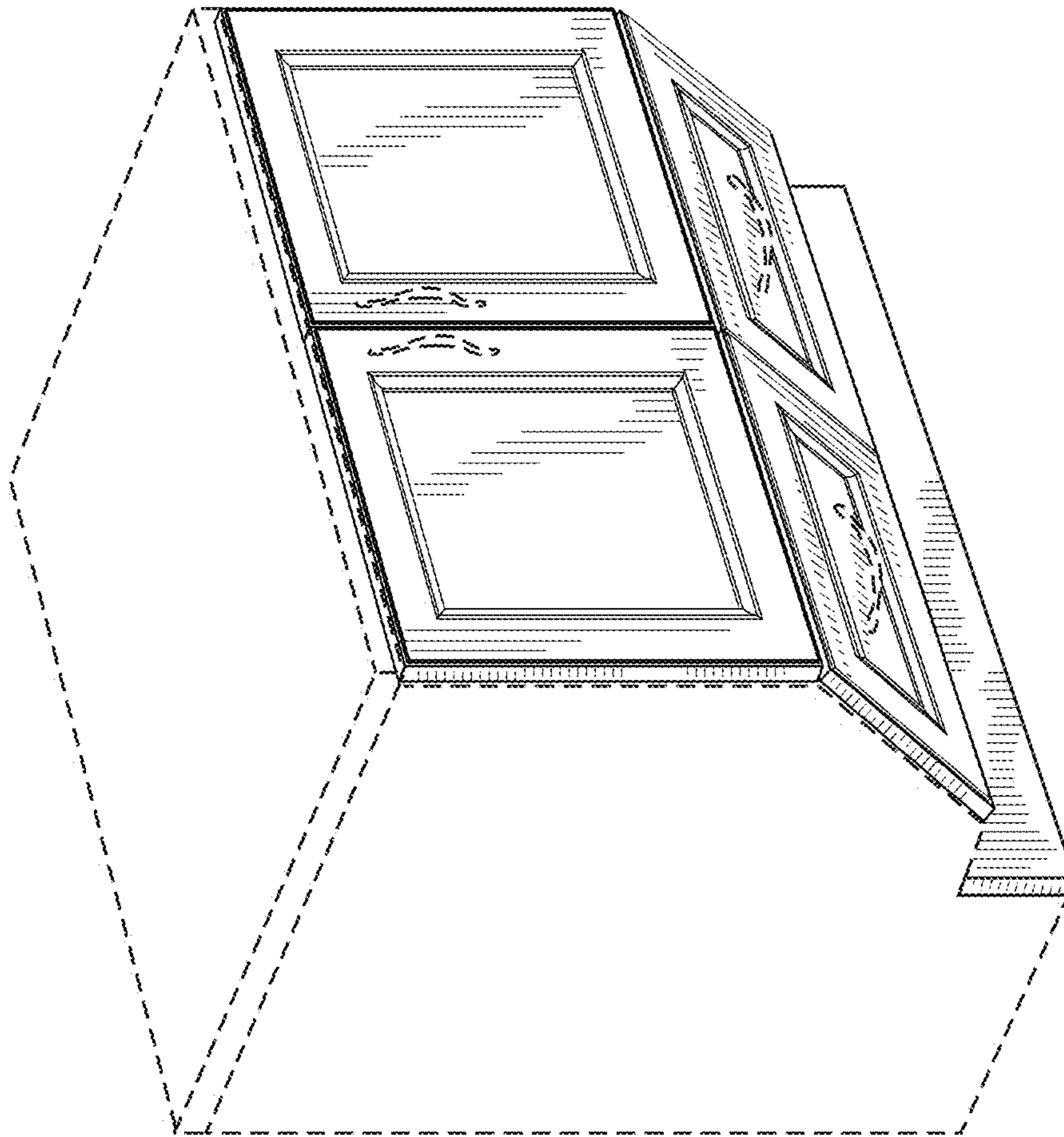


FIG. 4

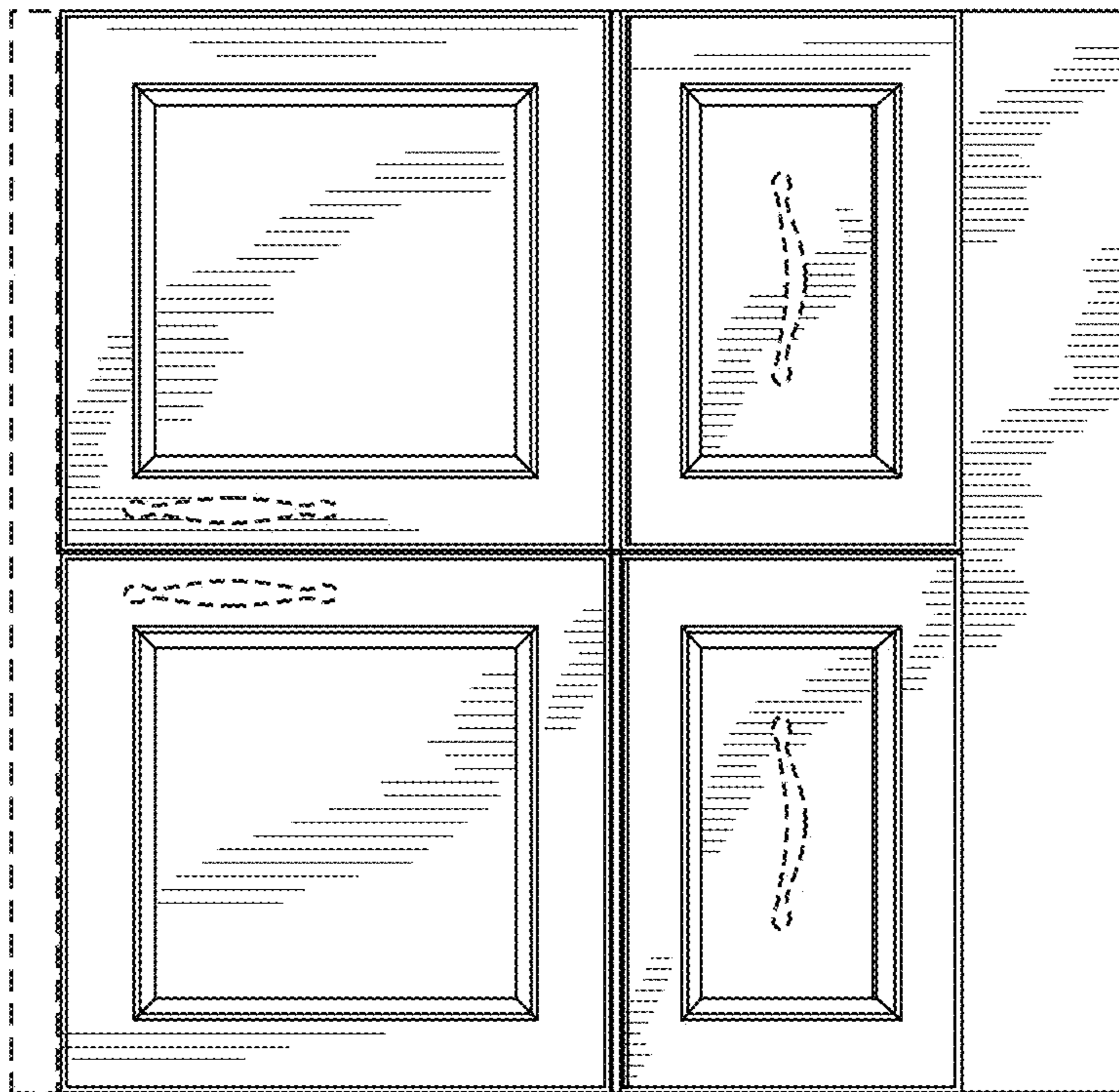


FIG. 5

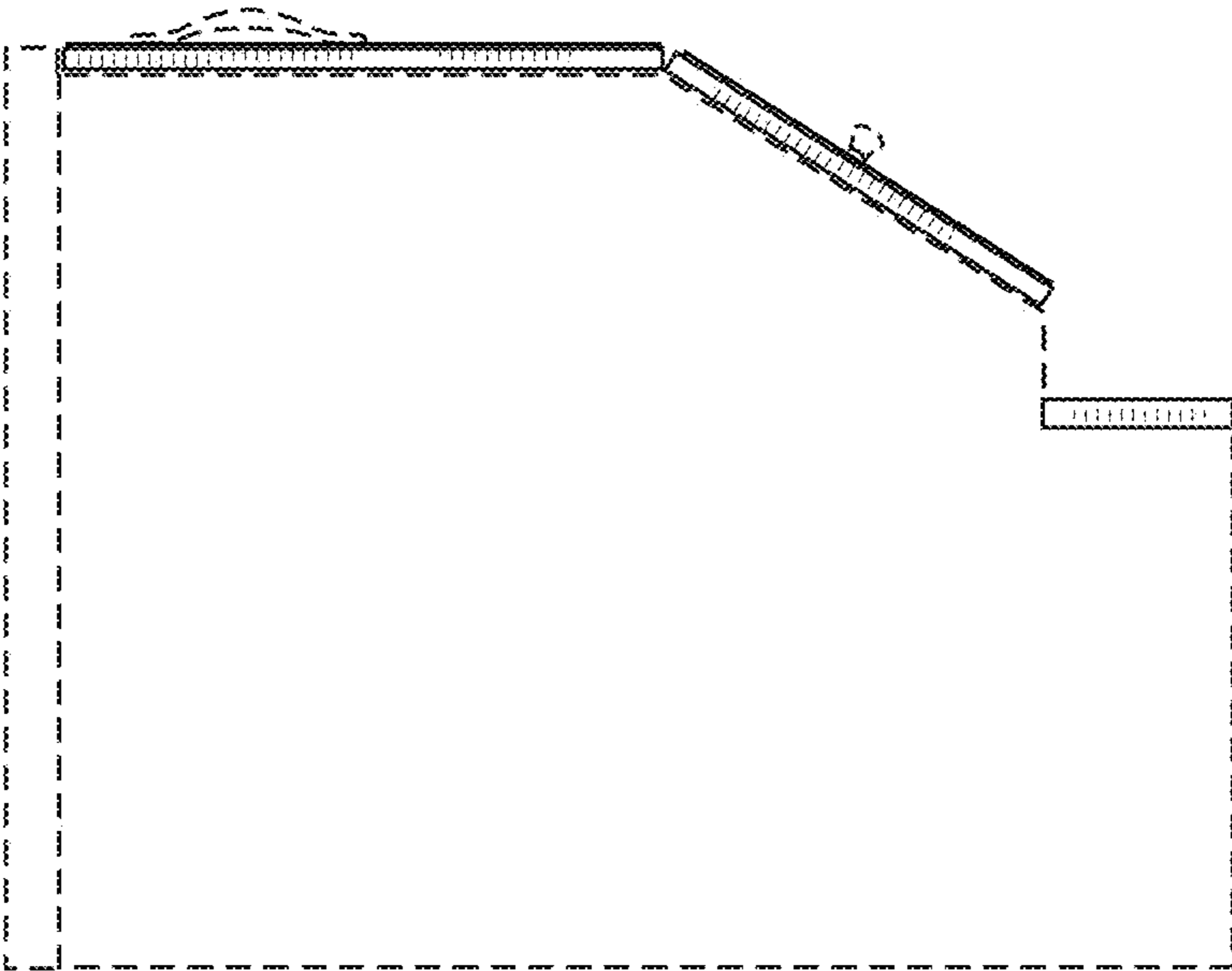


FIG. 6

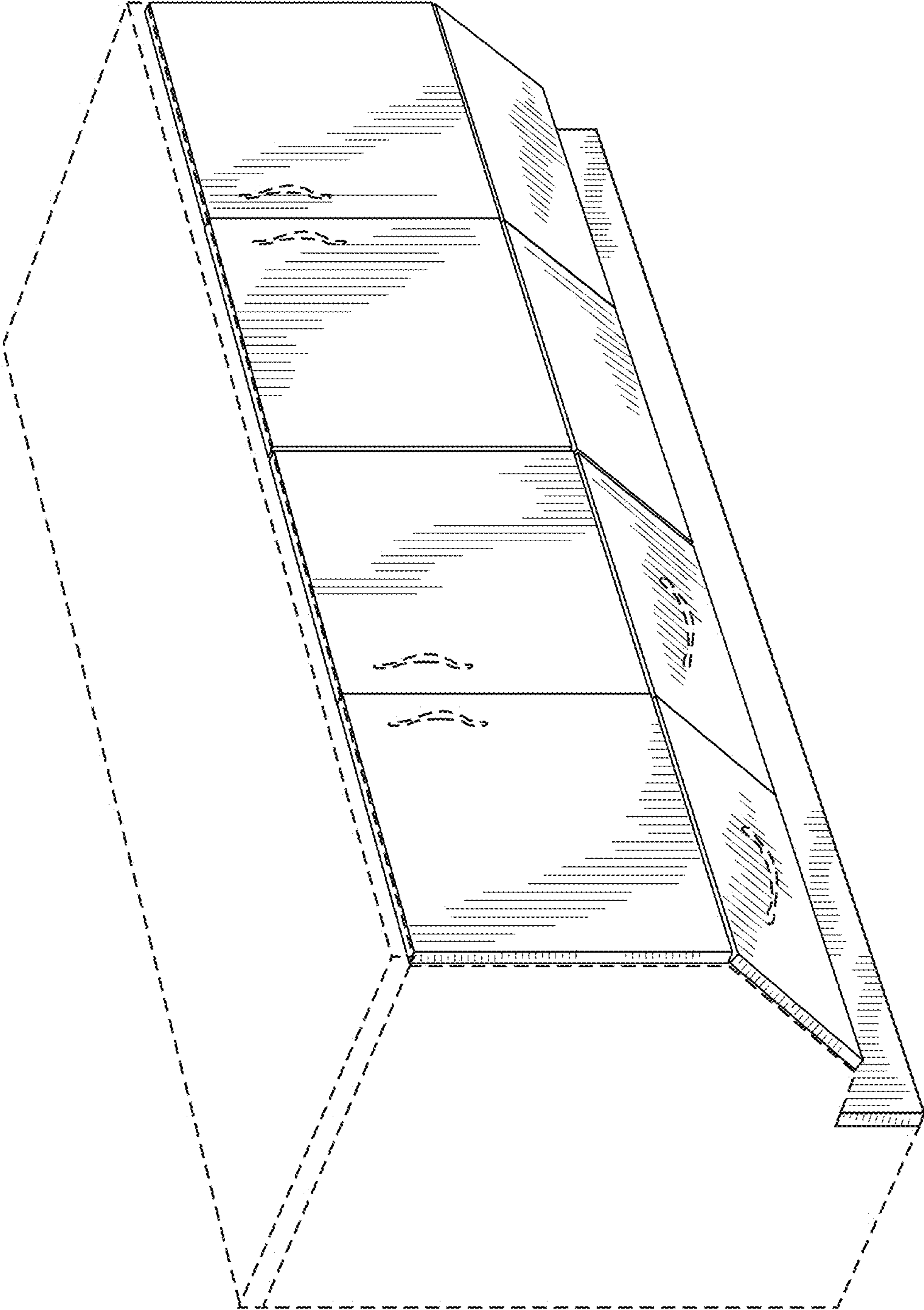


FIG. 7

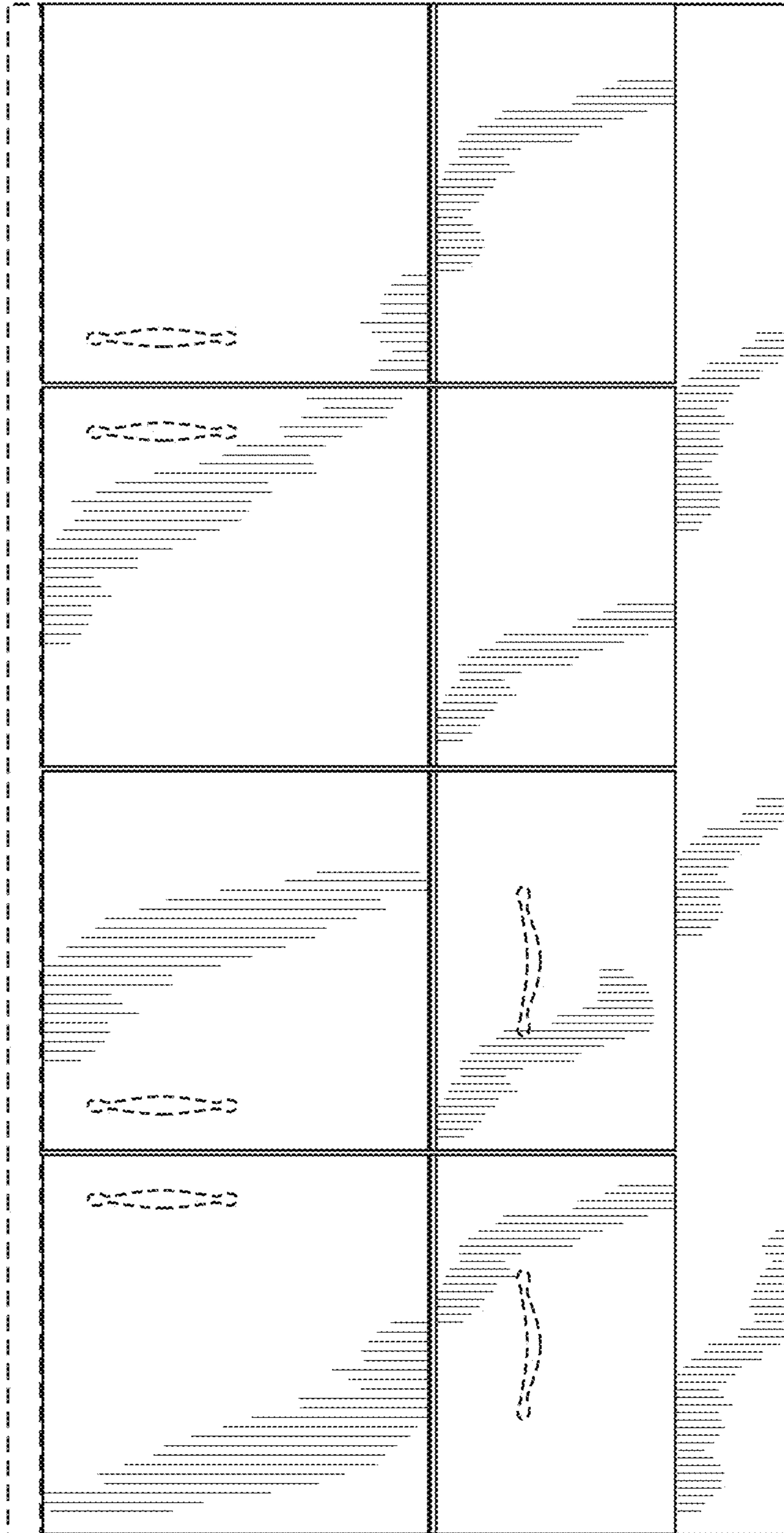


FIG. 8

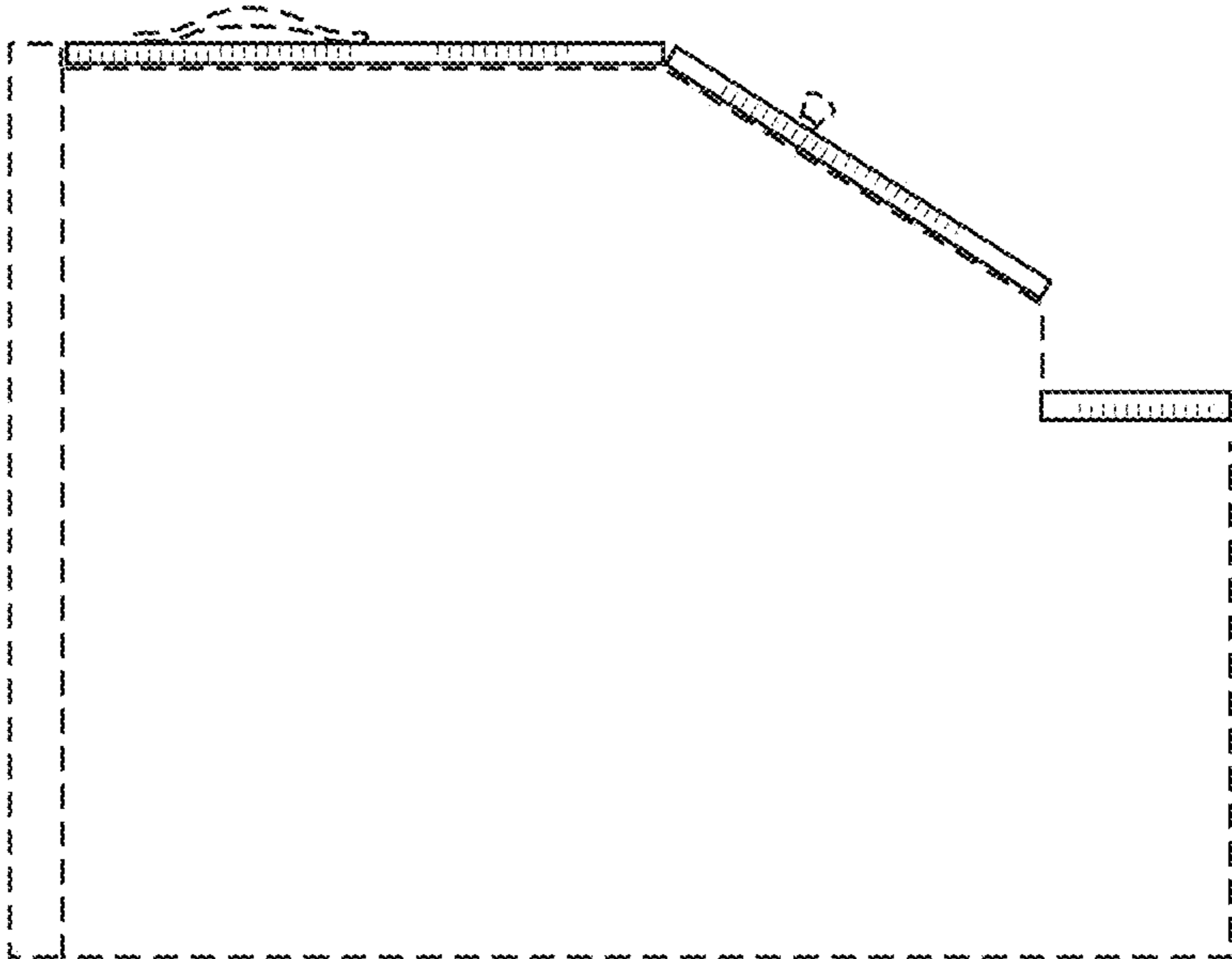


FIG. 9

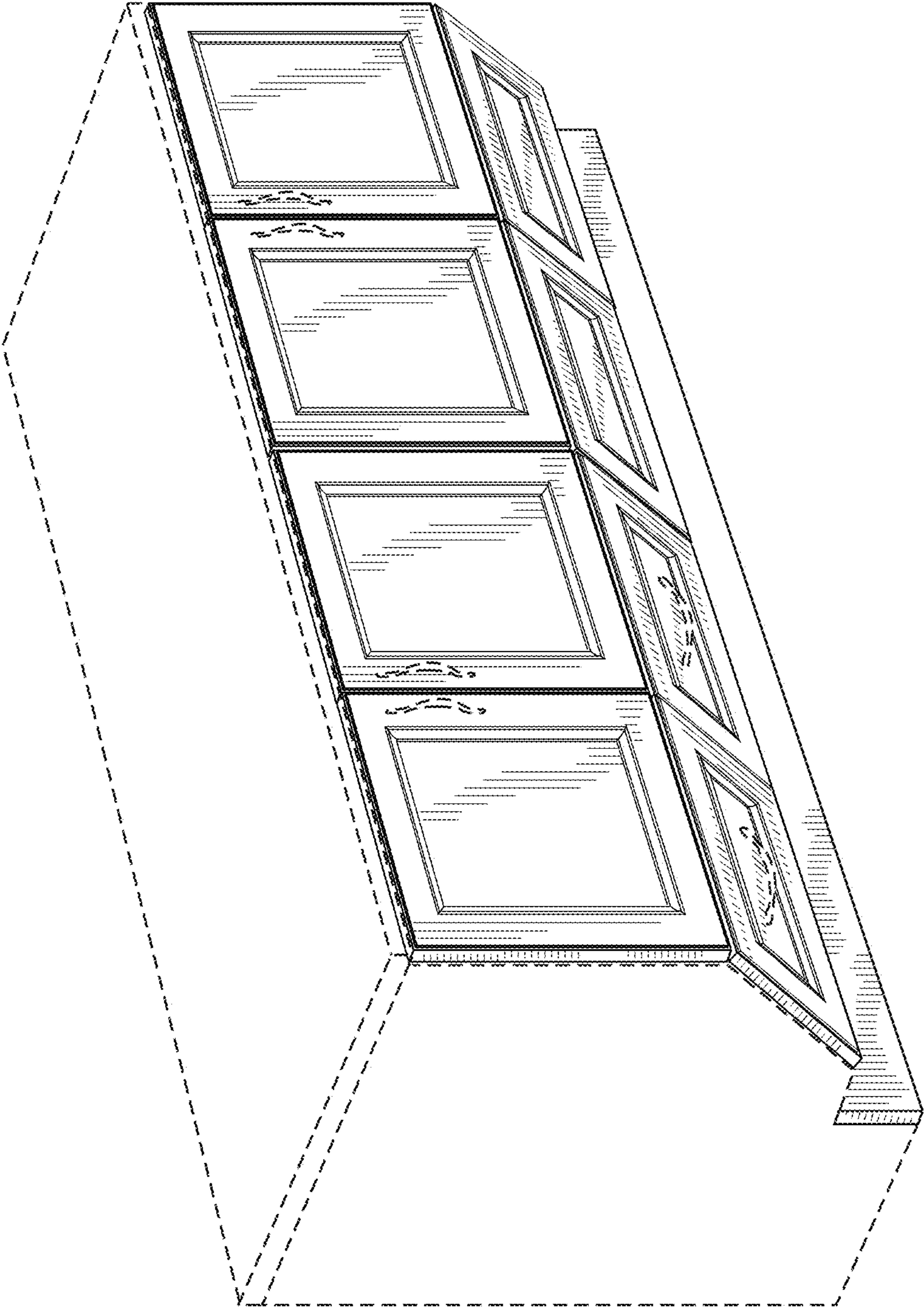


FIG. 10

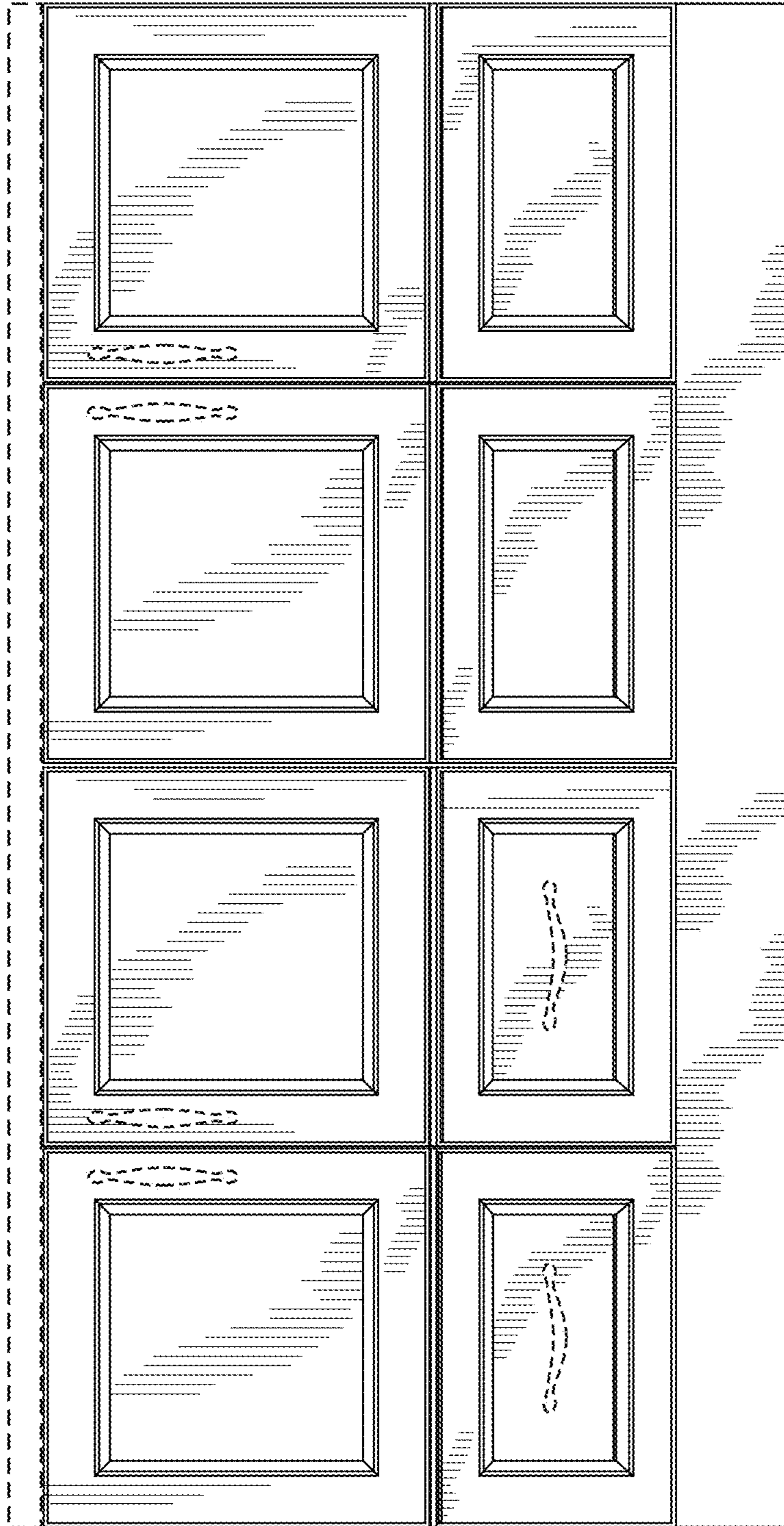


FIG. 11

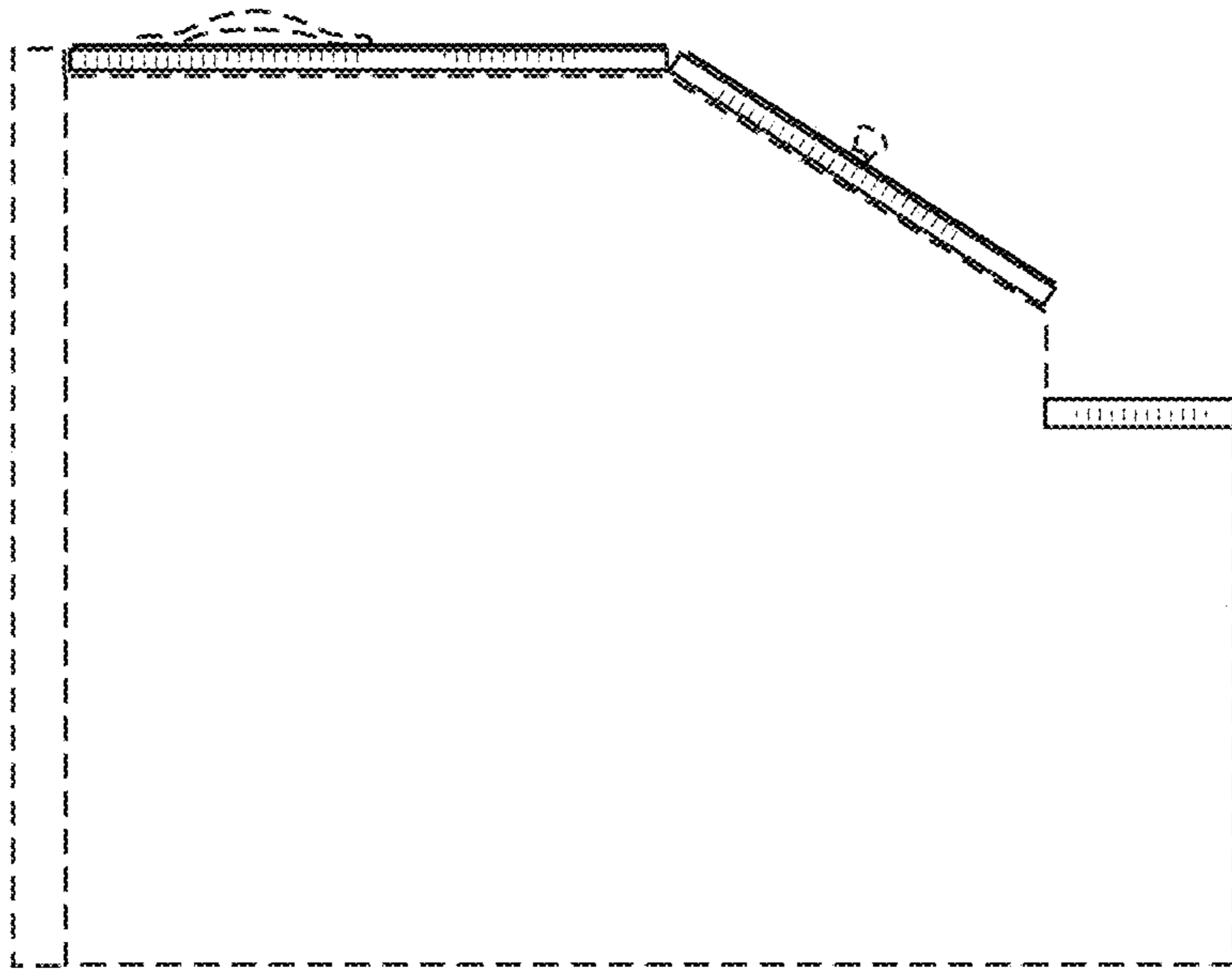


FIG. 12