



US00D709307S

(12) **United States Design Patent**
Lerner

(10) **Patent No.:** **US D709,307 S**
(45) **Date of Patent:** **** Jul. 22, 2014**

- (54) **SHOE RACK**
- (71) Applicant: **Polder Housewares, Inc.**, Oxford, CT (US)
- (72) Inventor: **Ran Lerner**, New York, NY (US)
- (73) Assignee: **Polder Housewares, Inc.**, Oxford, CT (US)
- (**) Term: **14 Years**
- (21) Appl. No.: **29/473,262**
- (22) Filed: **Nov. 20, 2013**
- (51) **LOC (10) Cl.** **06-06**
- (52) **U.S. Cl.**
USPC **D6/675.4**
- (58) **Field of Classification Search**
USPC D6/407, 462-465, 473-474, 672, 673,
D6/675, 675.4; 211/34, 36, 37, 182, 189;
206/504
See application file for complete search history.

D341,500 S *	11/1993	Klein et al.	D6/411
D457,353 S *	5/2002	Klein et al.	D6/467
D458,772 S *	6/2002	Klein et al.	D6/462
D462,539 S *	9/2002	Segall	D6/411
D471,747 S *	3/2003	Köllner	D6/513
D530,540 S *	10/2006	Stravitz	D6/473
D587,490 S *	3/2009	Siegel	D6/459
D696,878 S *	1/2014	Murphy	D6/675.1

* cited by examiner

Primary Examiner — Kelley Donnelly
(74) *Attorney, Agent, or Firm* — Duane Morris LLP

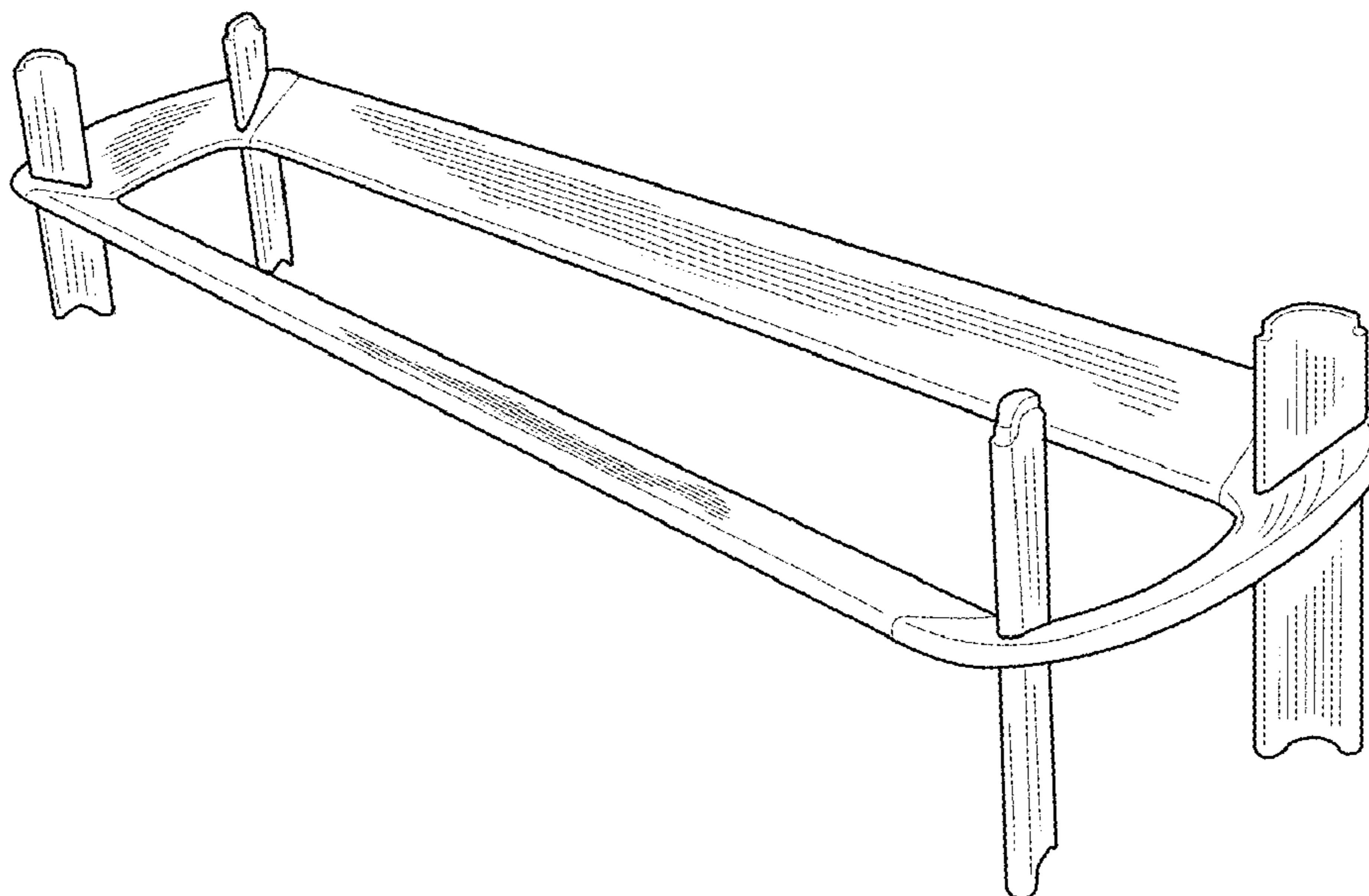
(57) **CLAIM**
The ornamental design for a shoe rack, as shown and described in the Figures.

DESCRIPTION

FIG. 1 is a perspective view of the shoe rack;
FIG. 2 is a front side view of the shoe rack;
FIG. 3 is a rear side view of the shoe rack;
FIG. 4 is a side view of the shoe rack;
FIG. 5 is a side view of the shoe rack that is opposite the side illustrated in FIG. 4;
FIG. 6 is a top side view of the shoe rack; and,
FIG. 7 is a bottom side view of the shoe rack.
The broken line showing of structure is for illustrative purposes only, and forms no part of the claimed design.

1 Claim, 3 Drawing Sheets

- (56) **References Cited**
U.S. PATENT DOCUMENTS
D283,472 S * 4/1986 Wattles D6/463
D283,570 S * 4/1986 Penner D6/464
D324,139 S * 2/1992 Frazier D6/411



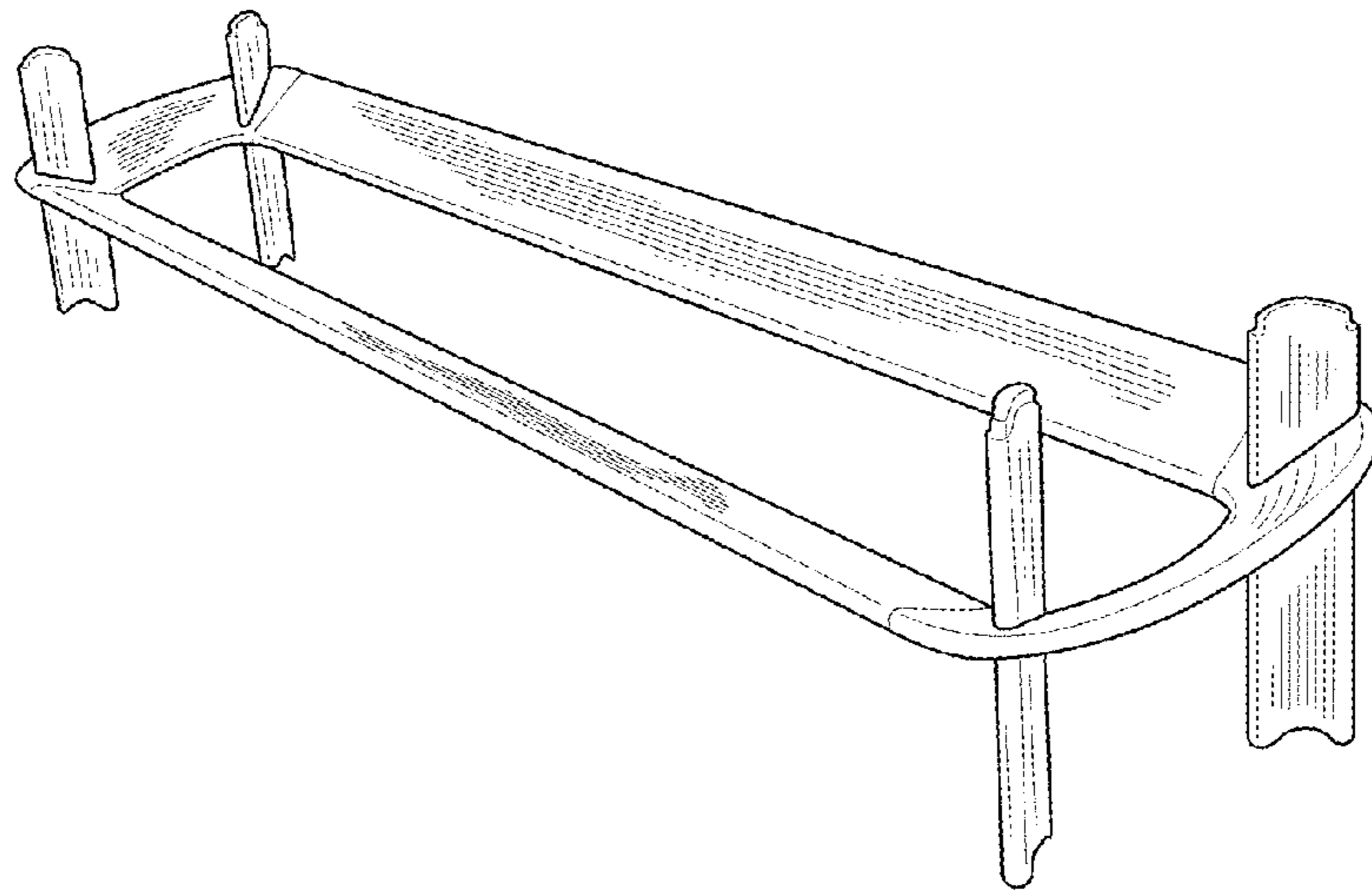


FIG. 1

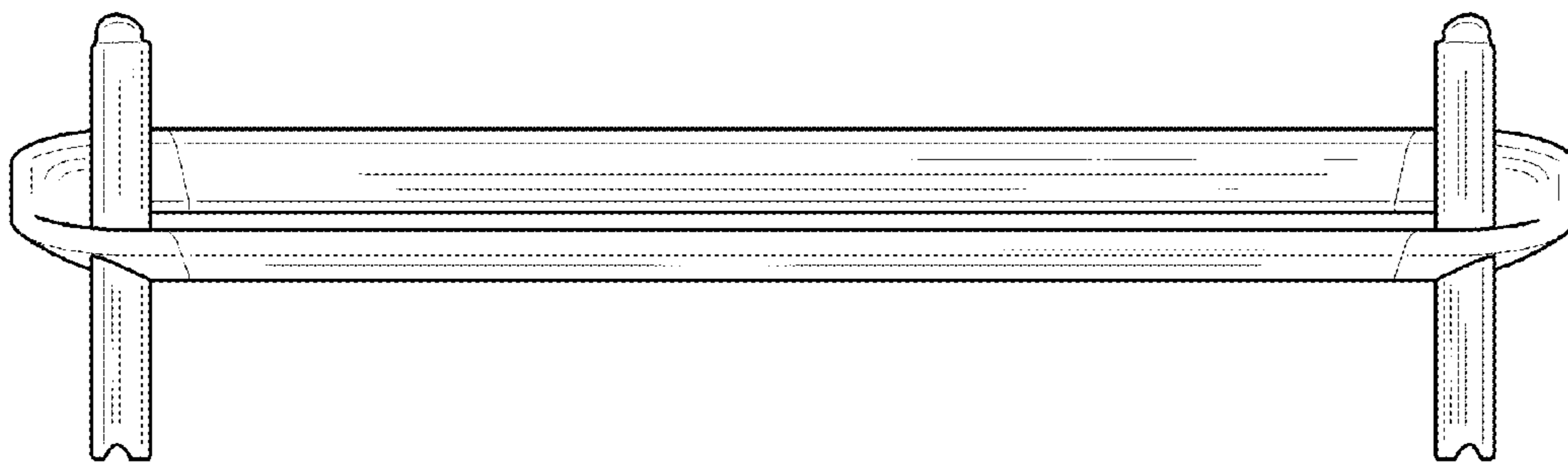


FIG. 2

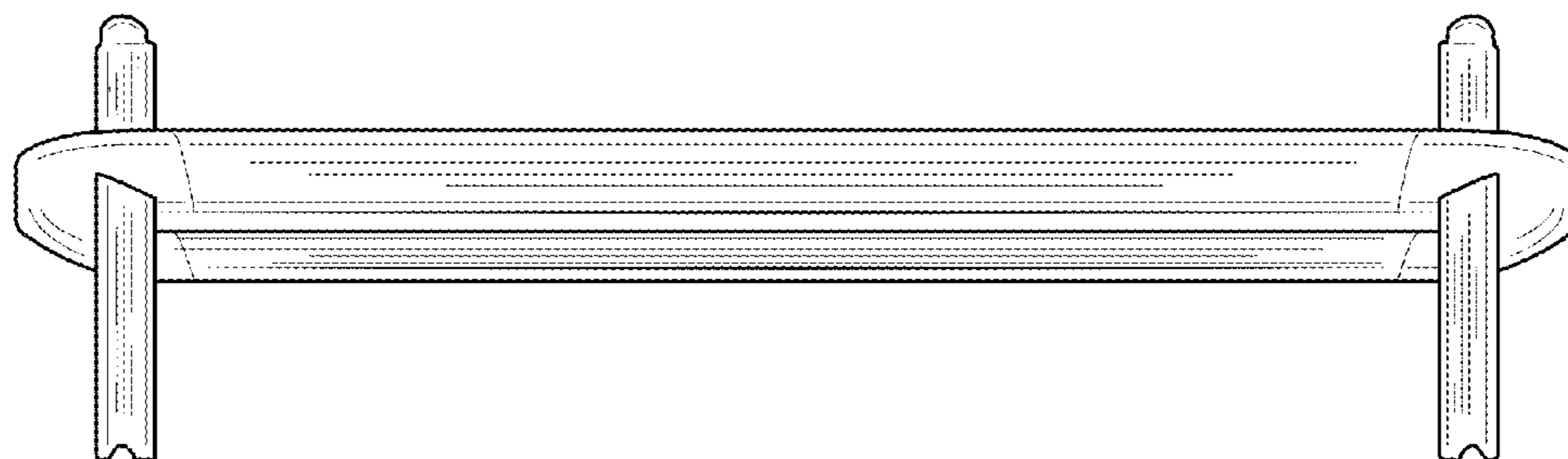


FIG. 3

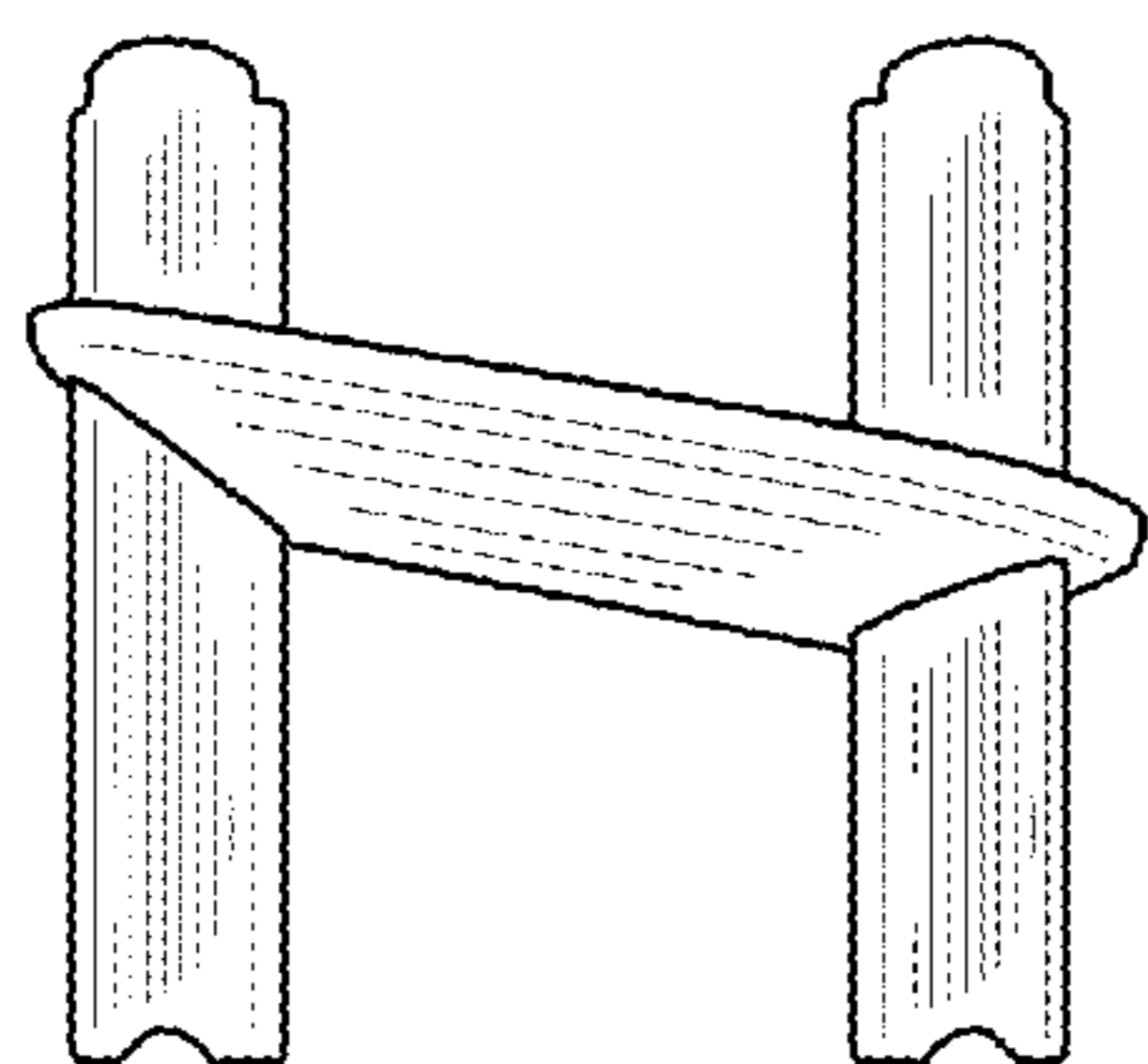


FIG. 4

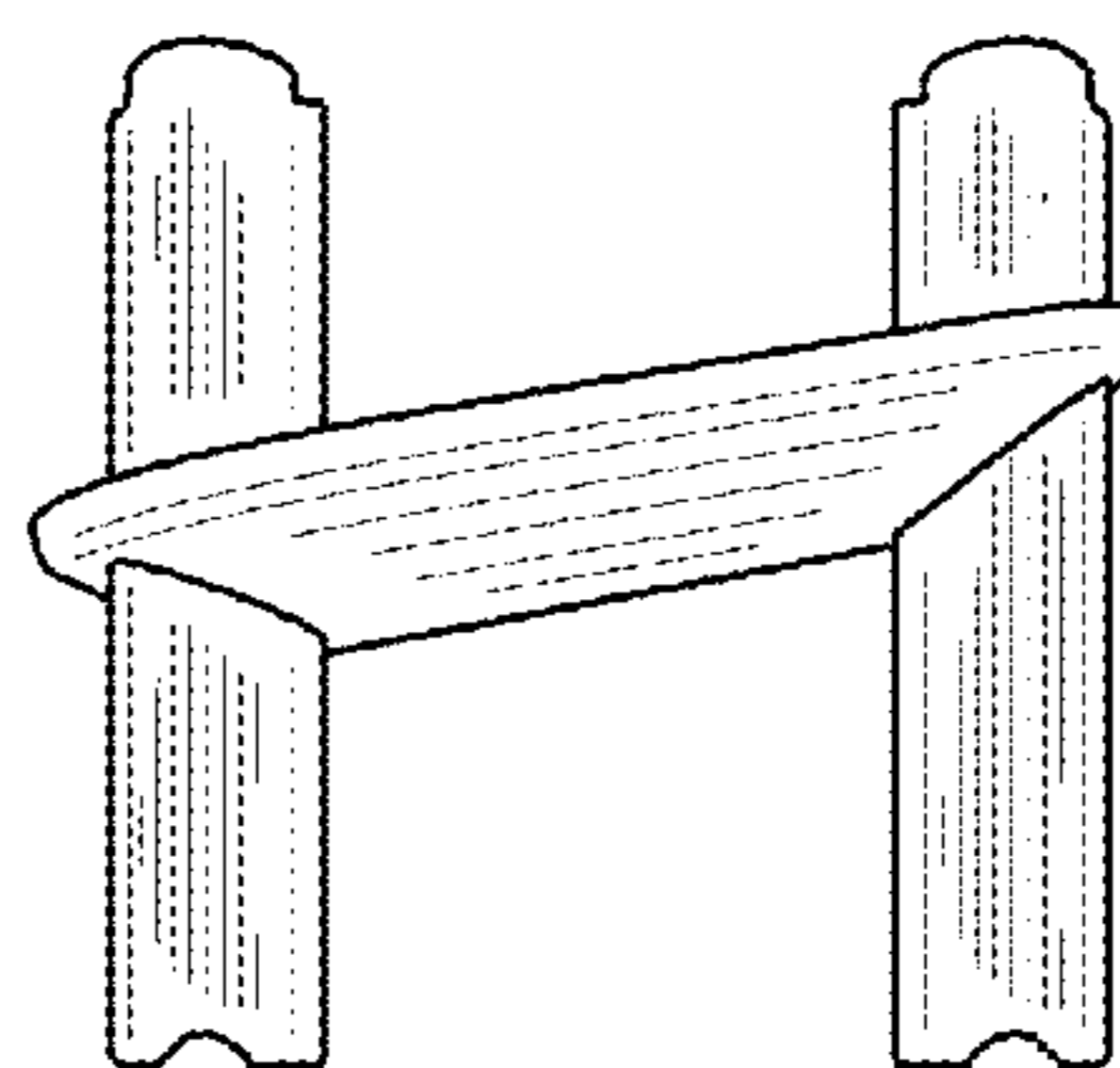


FIG. 5

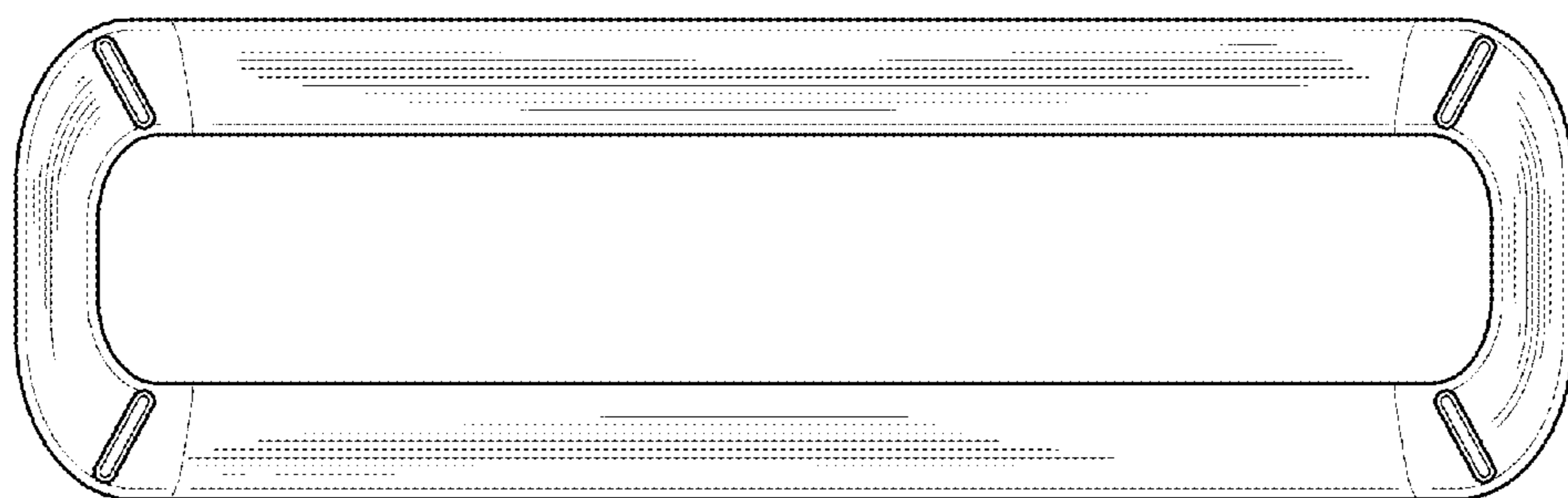


FIG. 6

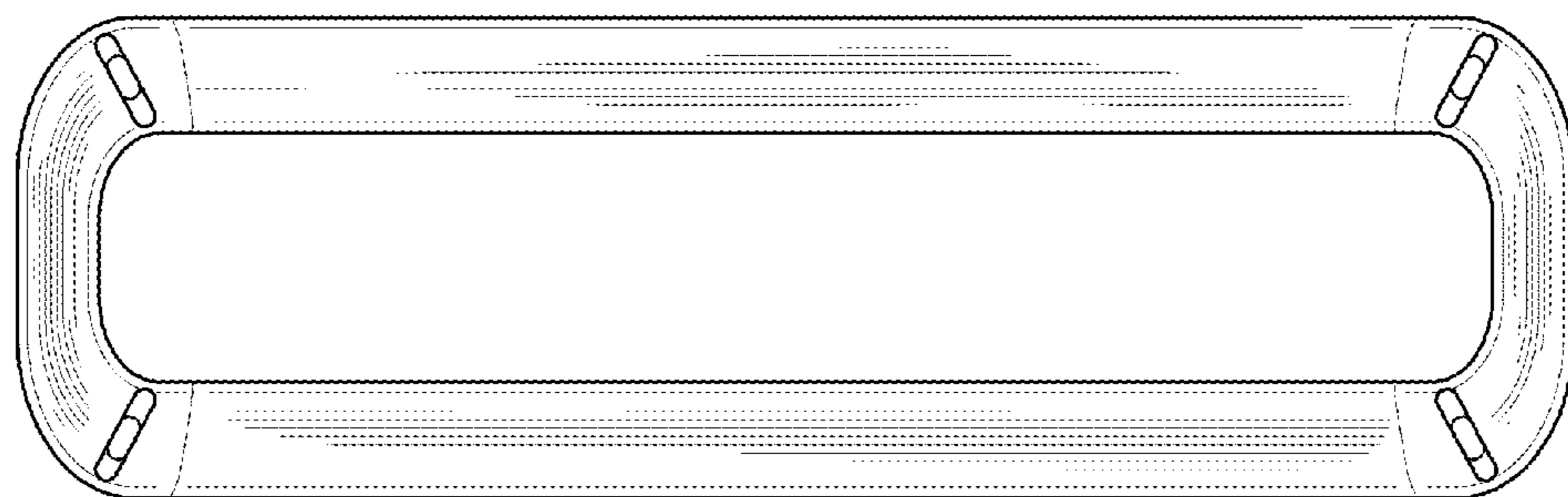


FIG. 7