



US00D709306S

(12) **United States Design Patent**
Tapper

(10) **Patent No.:** **US D709,306 S**

(45) **Date of Patent:** **** *Jul. 22, 2014**

(54) **12 COUNT CUPCAKE DISPLAY KIT WITH A SOLID LID**

(71) Applicant: **Simply Social, LLC**, Dallas, TX (US)

(72) Inventor: **Laura J. Tapper**, Dallas, TX (US)

(73) Assignee: **Simply Social, LLC**, Dallas, TX (US)

(*) Notice: This patent is subject to a terminal disclaimer.

(**) Term: **14 Years**

(21) Appl. No.: **29/437,626**

(22) Filed: **Nov. 19, 2012**

Related U.S. Application Data

(63) Continuation-in-part of application No. 29/411,146, filed on Jan. 17, 2012, now Pat. No. Des. 670,934, which is a continuation-in-part of application No. 29/355,032, filed on Feb. 1, 2010, now abandoned.

(51) **LOC (10) Cl.** **06-04**

(52) **U.S. Cl.**
USPC **D6/672**

(58) **Field of Classification Search**

USPC D6/449; D7/610, 323, 354–361, 417, D7/505, 513, 540–546, 550.1, 551, 552.1, D7/553.1, 553.4–553.8, 554.3, 555, 584, D7/586, 551.1; D9/414, 456, 754, 756; 220/574, 600–60, 610, 669, 672–675, 220/912, 23.83, 573.4, 573.1, 573.2; 206/769, 497, 223, 499, 493, 600; 426/115, 124; 52/136; 249/66.1, 117, 249/19, 122–127, 155–156, 160

See application file for complete search history.

(56) **References Cited**

U.S. PATENT DOCUMENTS

4,085,847	A *	4/1978	Jacalone	206/600
D255,085	S	5/1980	Free et al.	
5,912,033	A	6/1999	Ferguson	
5,967,323	A	10/1999	Siragusa	
6,003,671	A	12/1999	McDonough et al.	
D423,864	S	5/2000	Chang et al.	
6,146,673	A	11/2000	Ferguson	
6,186,351	B1	2/2001	Coyle	
6,318,030	B1	11/2001	McClure et al.	
6,450,341	B1	9/2002	Krupa et al.	
6,450,343	B1	9/2002	Arnaldi	
6,905,017	B1	6/2005	Sarnoff et al.	

(Continued)

Primary Examiner — Cathron Brooks

Assistant Examiner — Sydney R Buffalow

(74) *Attorney, Agent, or Firm* — Chainey P. Singleton

(57) **CLAIM**

The ornamental design for a 12 count cupcake display kit with a solid lid, as shown and described.

DESCRIPTION

FIG. 1 is a perspective view of the 12 count cupcake display kit with a solid lid;

FIG. 2 is a top view of the cupcake insert portion, shown separately for completeness of illustration;

FIG. 3 is a side view thereof;

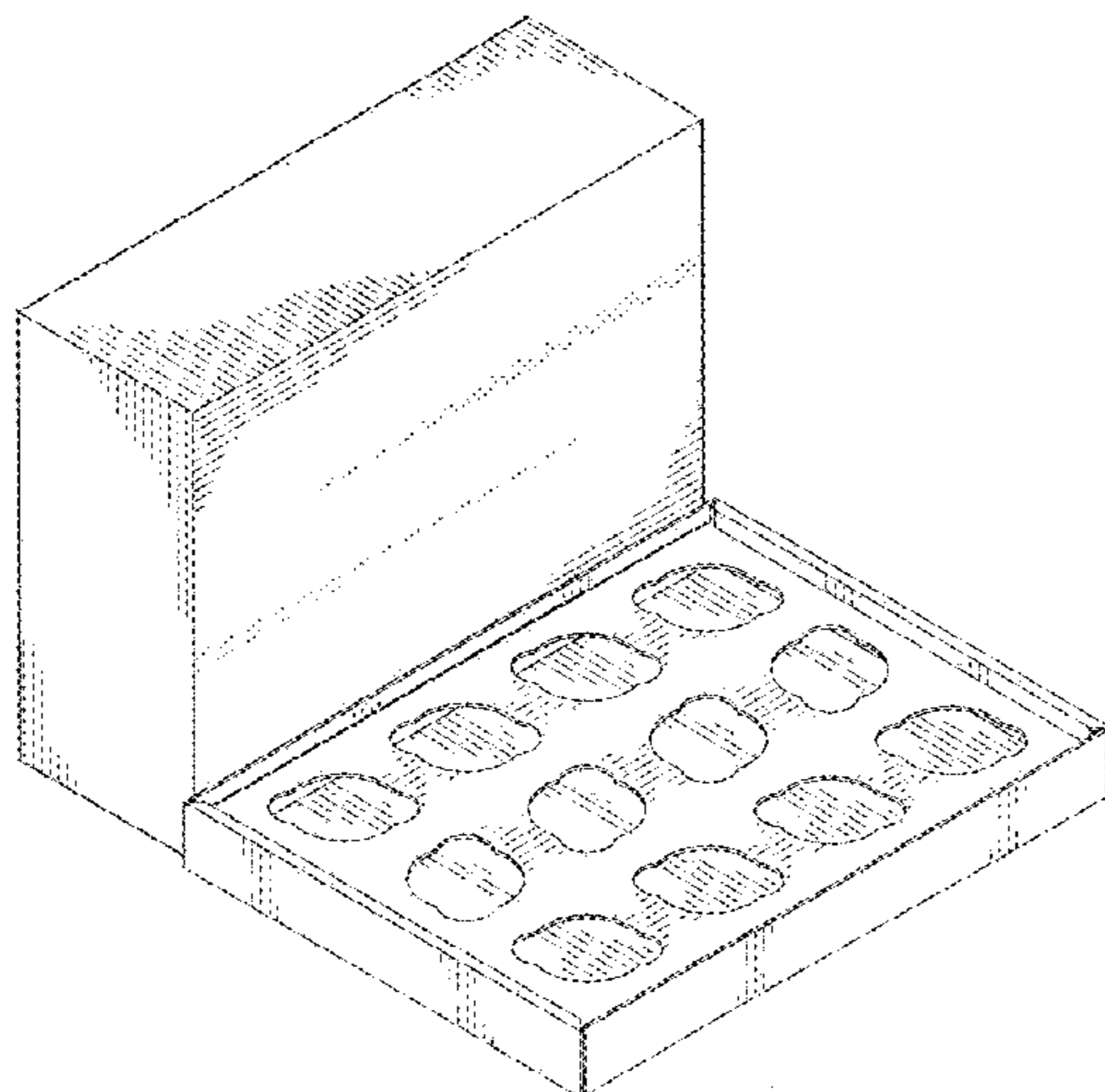
FIG. 4 is an end view thereof;

FIG. 5 is a perspective view of cupcake tray portion, shown separately for completeness of illustration; and,

FIG. 6 is a perspective view of the cupcake insert portion, positioned in the cupcake tray portion, and shown separately for completeness of illustration.

The nature and intended use of the article in which the design is embodied is a 12 count cupcake display kit with a solid top. The cupcake kit includes a low cupcake insert positioned in a low cupcake tray. A tall cupcake box top with a solid top is positioned in the low cupcake tray between the cupcake tray walls and the cupcake insert sides.

1 Claim, 3 Drawing Sheets



(56)

References Cited

U.S. PATENT DOCUMENTS

D515,363 S 2/2006 Driggers et al.
D553,902 S 10/2007 Barber
D559,613 S 1/2008 DeMirjian, III
D569,677 S 5/2008 Poon
D574,182 S 8/2008 Shannon et al.

D596,447 S 7/2009 Cubillos
D670,931 S * 11/2012 Tapper D6/449
D670,932 S * 11/2012 Tapper D6/449
D670,933 S * 11/2012 Tapper D6/449
D670,934 S * 11/2012 Tapper D6/449
D687,645 S * 8/2013 Tapper D6/672
D690,123 S * 9/2013 Tapper D6/672

* cited by examiner

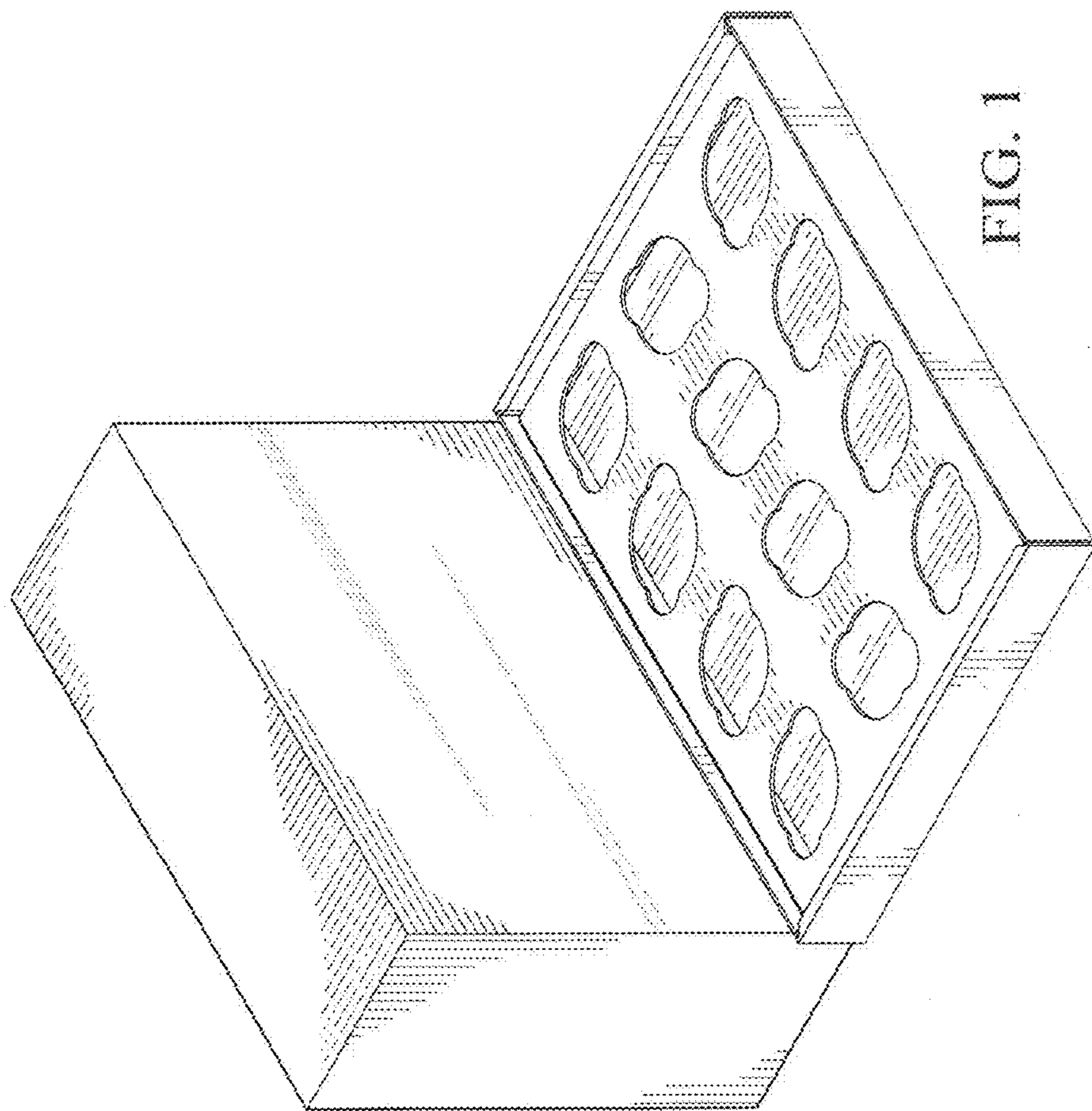


FIG. 1

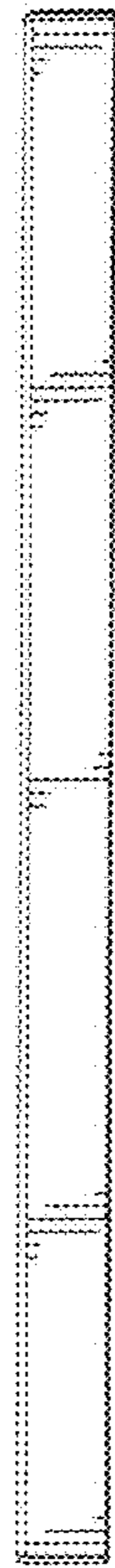


FIG. 4



FIG. 3

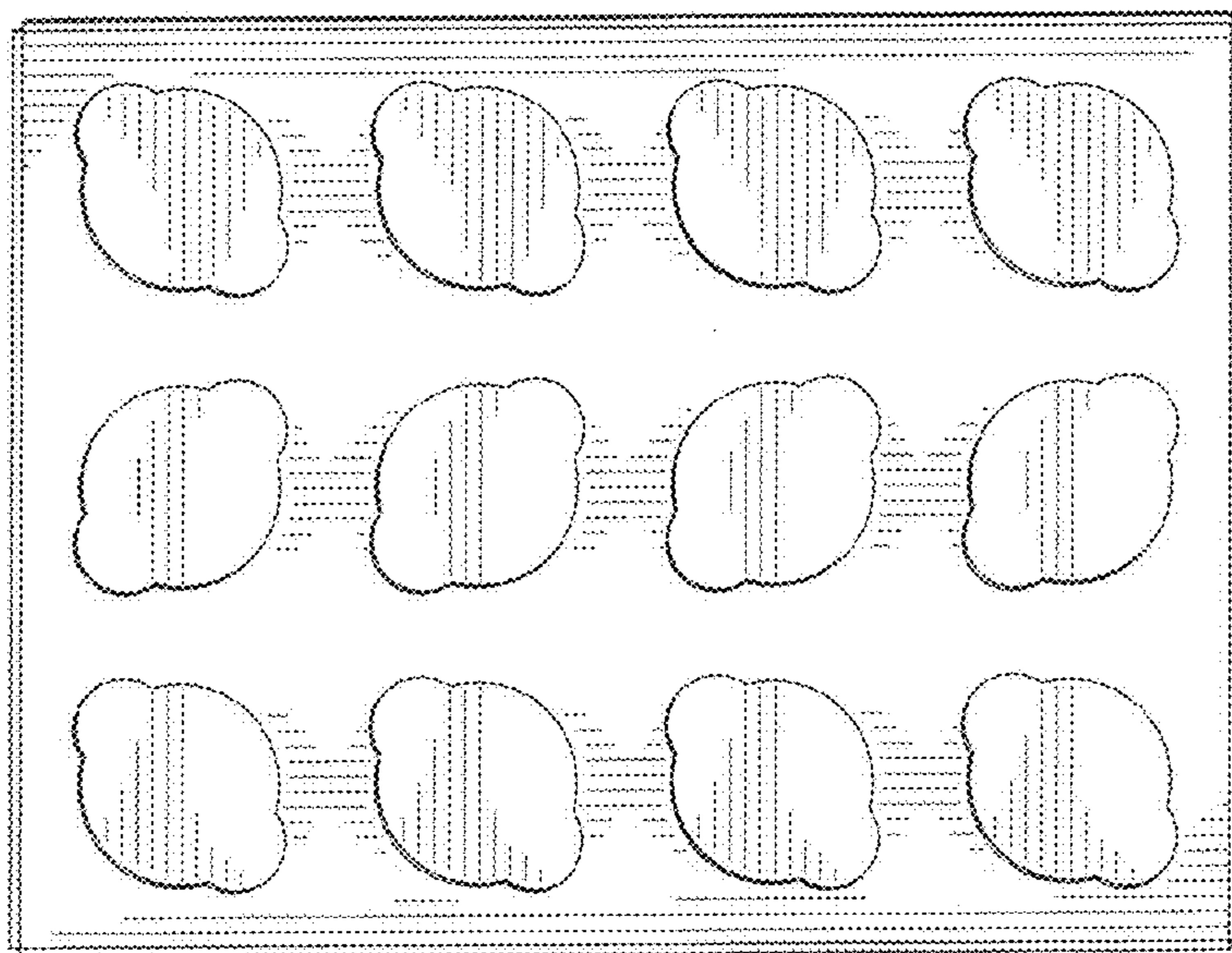


FIG. 2

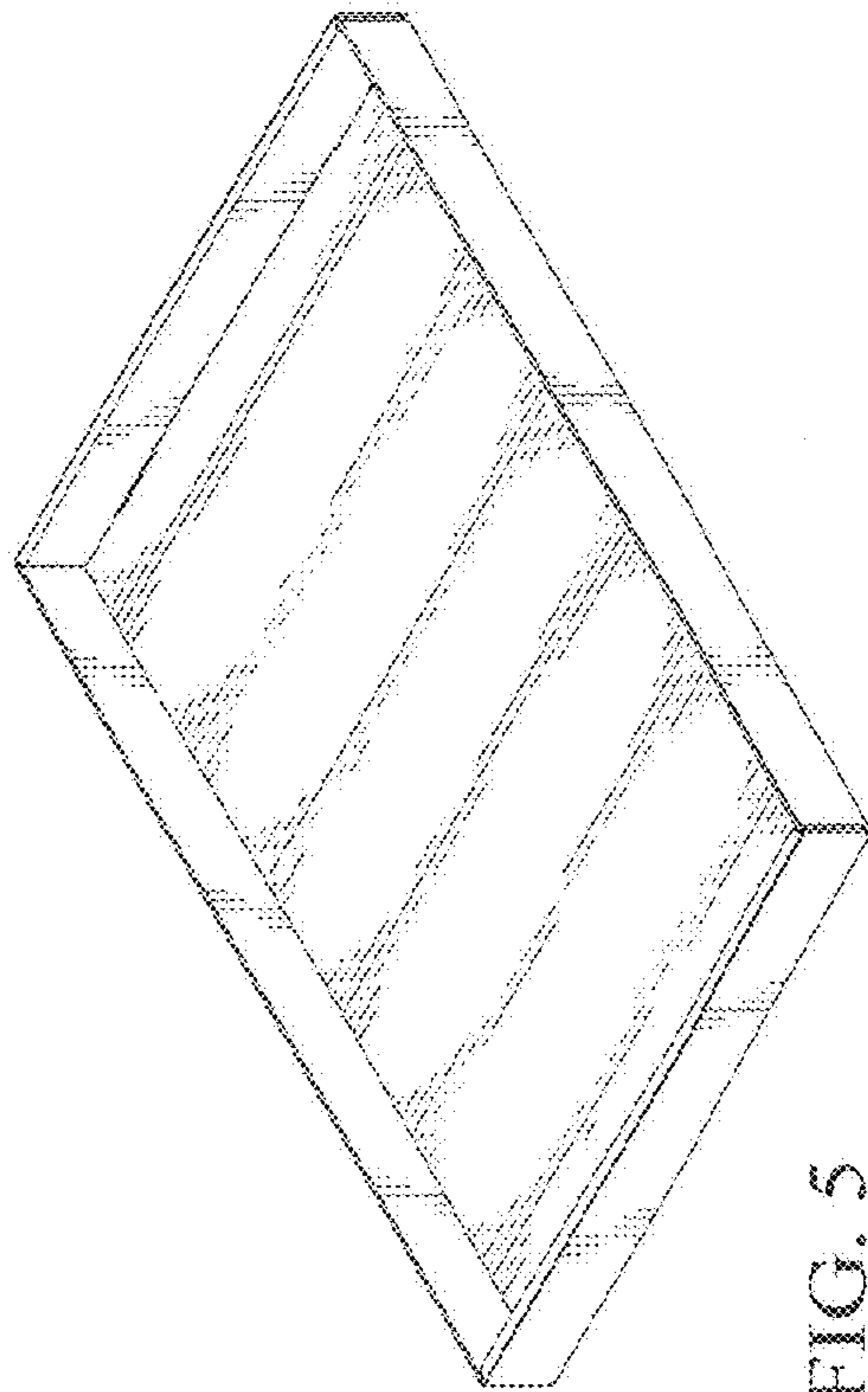


FIG. 5

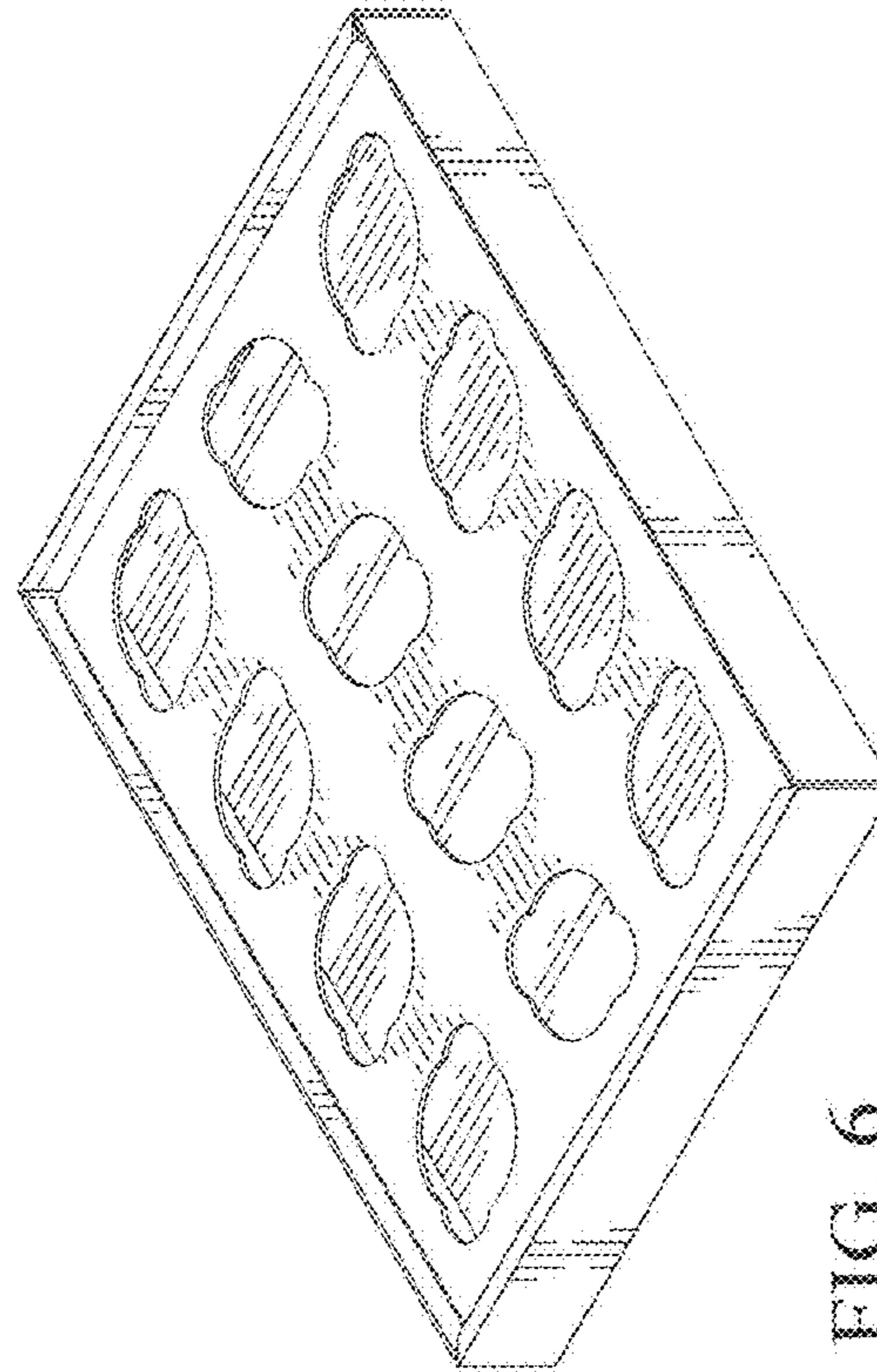


FIG. 6