



US00D709305S

(12) **United States Design Patent**
Tapper

(10) **Patent No.:** **US D709,305 S**
(45) **Date of Patent:** **** Jul. 22, 2014**

(54) **24 COUNT CUPCAKE DISPLAY KIT WITH A SOLID LID**

(71) Applicant: **Simply Social, LLC**, Dallas, TX (US)

(72) Inventor: **Laura J. Tapper**, Dallas, TX (US)

(73) Assignee: **Simply Social, LLC**, Dallas, TX (US)

(**) Term: **14 Years**

(21) Appl. No.: **29/437,625**

(22) Filed: **Nov. 19, 2012**

Related U.S. Application Data

(63) Continuation-in-part of application No. 29/411,140, filed on Jan. 17, 2012, now Pat. No. Des. 670,933, which is a continuation-in-part of application No. 29/355,031, filed on Feb. 1, 2010, now abandoned.

(51) **LOC (10) Cl.** **06-04**

(52) **U.S. Cl.**
USPC **D6/672**

(58) **Field of Classification Search**
USPC D6/449; D7/610, 323, 354–361, 417, D7/505, 513, 540–546, 550.1, 551, 552.1, D7/553.1, 553.4–553.8, 554.3, 555, 584, D7/586, 551.1; D9/414, 456, 754, 756; 220/574, 610, 669, 672–675, 912, 220/23.83, 573.4, 573.1, 573.2; 206/769, 206/497, 223, 499, 493, 600; 426/115, 124; 52/136; 249/66.1, 117, 19, 122–127, 249/155–156, 160

See application file for complete search history.

(56) **References Cited**

U.S. PATENT DOCUMENTS

4,085,847 A * 4/1978 Jacalone 206/600
D255,085 S 5/1980 Free et al.
5,912,033 A 6/1999 Ferguson

5,967,323 A 10/1999 Siragusa
6,003,671 A 12/1999 McDonough et al.
D423,864 S 5/2000 Chang et al.
6,146,673 A 11/2000 Ferguson
6,186,351 B1 2/2001 Coyle
6,318,030 B1 11/2001 McClure et al.
6,450,341 B1 9/2002 Krupa et al.
6,450,343 B1 9/2002 Arnaldi
6,905,017 B1 6/2005 Sarnoff et al.
D515,363 S 2/2006 Driggers et al.
D553,902 S 10/2007 Barber
D559,613 S 1/2008 DeMirjian, III
D569,677 S 5/2008 Poon

(Continued)

Primary Examiner — Cathron Brooks

Assistant Examiner — Sydney R Buffalow

(74) *Attorney, Agent, or Firm* — Chainey P. Singleton

(57) **CLAIM**

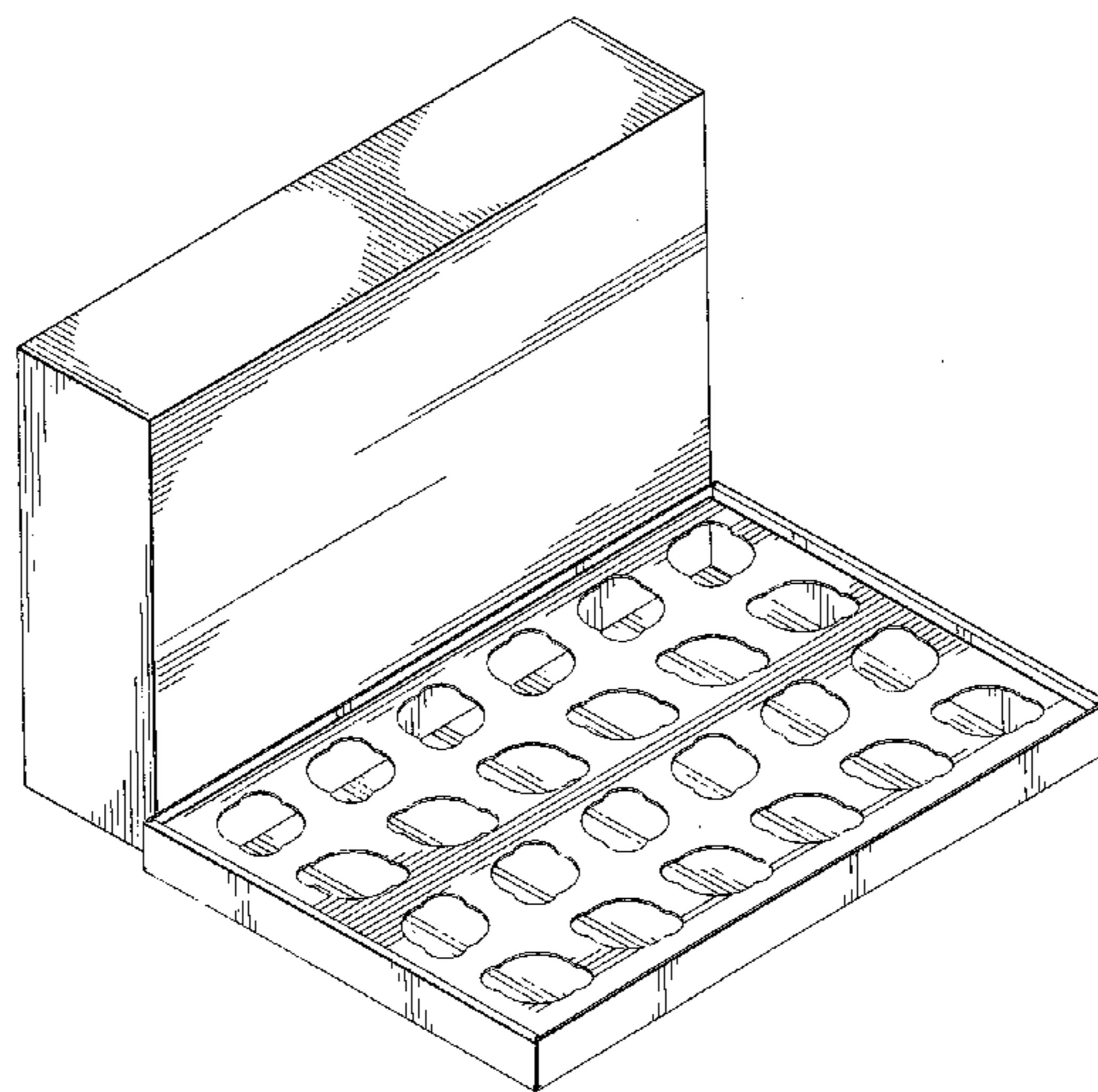
The ornamental design for a 24 count cupcake display kit with a solid lid, as shown and described.

DESCRIPTION

FIG. 1 is a perspective view of the 24 count cupcake display kit with a solid lid;
FIG. 2 is a top view of the cupcake insert portion, shown separately for completeness of illustration;
FIG. 3 is a side view thereof;
FIG. 4 is an end view thereof;
FIG. 5 is a perspective view of cupcake tray portion, shown separately for completeness of illustration; and,
FIG. 6 is a perspective view of the cupcake insert portion, positioned in the cupcake tray portion, and shown separately for completeness of illustration.

The nature and intended use of the article in which the design is embodied is a 24 count cupcake display kit. The cupcake kit includes a low cupcake insert positioned in a low cupcake tray. A tall cupcake box top with a solid top positioned in the low cupcake tray between the cupcake tray walls and the cupcake insert sides.

1 Claim, 3 Drawing Sheets



US D709,305 S

Page 2

(56)

References Cited

U.S. PATENT DOCUMENTS

D574,182 S 8/2008 Shannon et al.

D596,447 S 7/2009 Cubillos

D670,931 S * 11/2012 Tapper D6/449

D670,932 S * 11/2012 Tapper D6/449

D670,933 S * 11/2012 Tapper D6/449

D670,934 S * 11/2012 Tapper D6/449

D687,645 S * 8/2013 Tapper D6/672

D690,123 S * 9/2013 Tapper D6/672

* cited by examiner

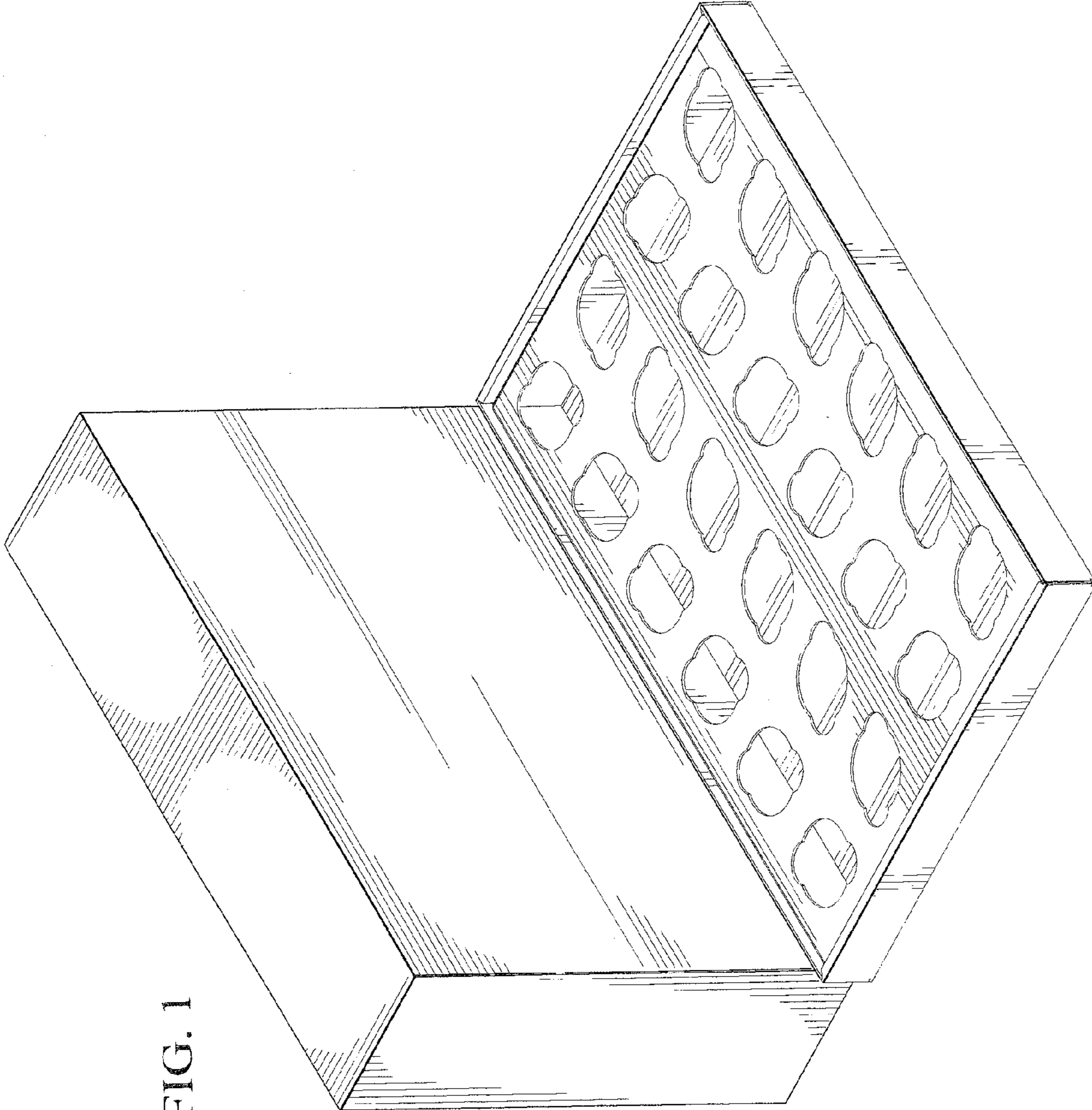


FIG. 1

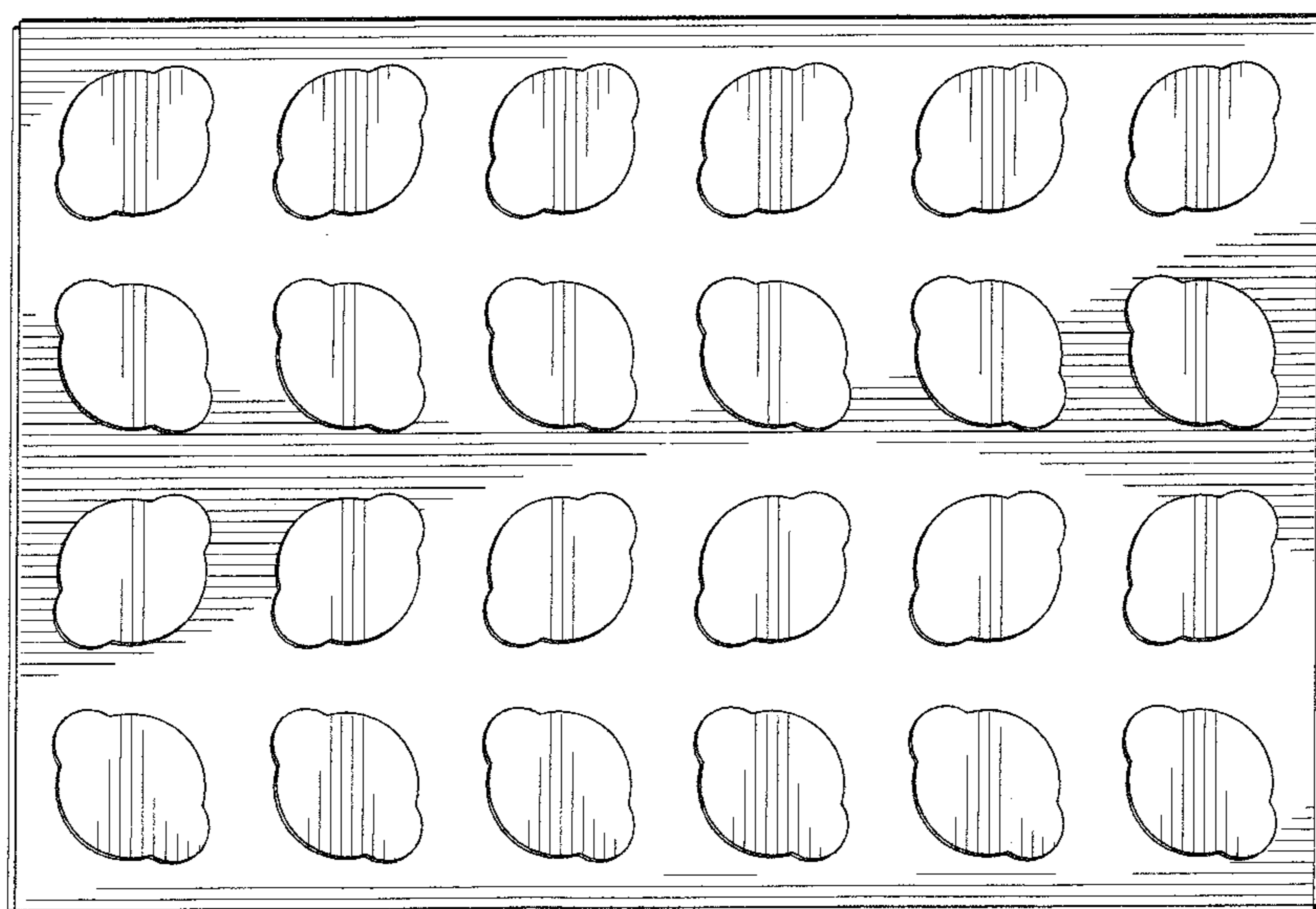


FIG. 2

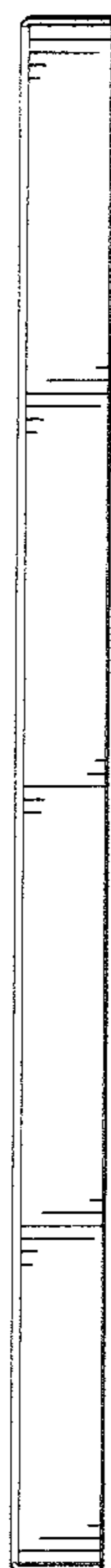


FIG. 3



FIG. 4

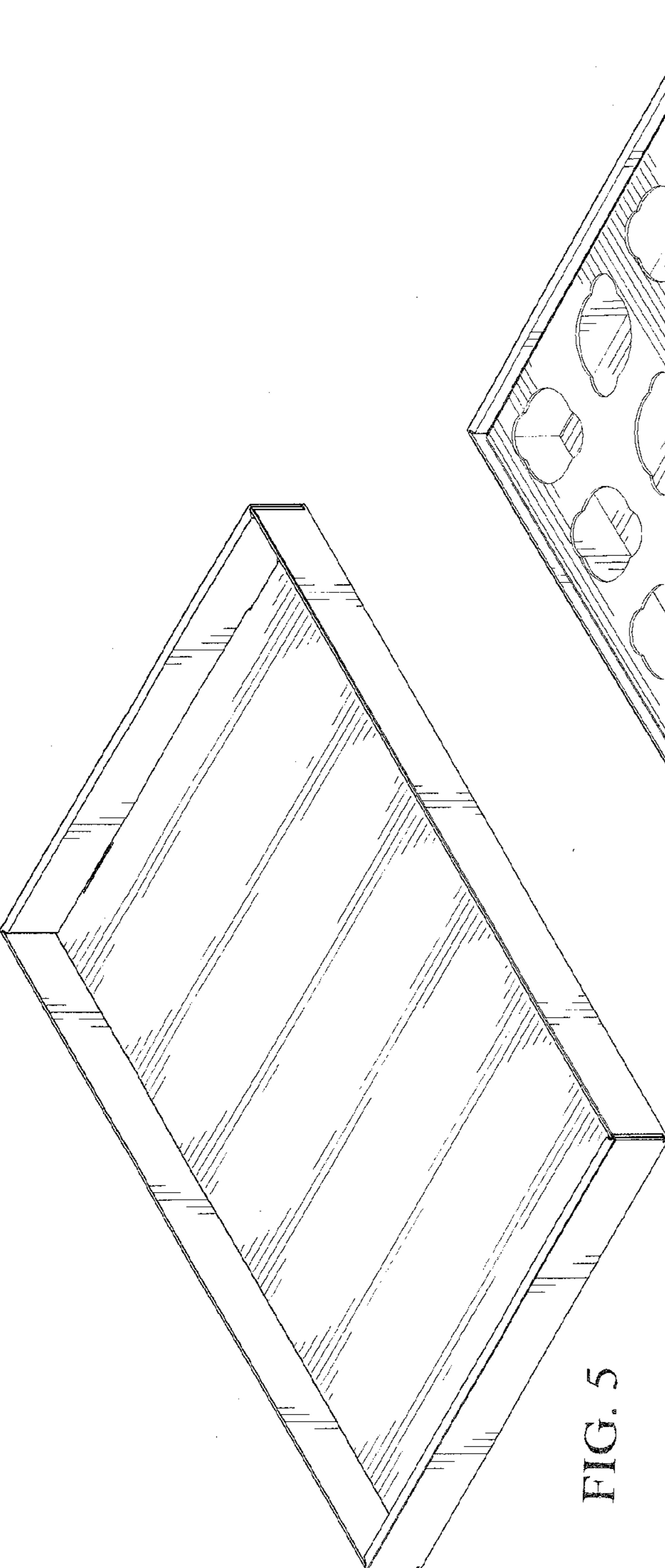


FIG. 5

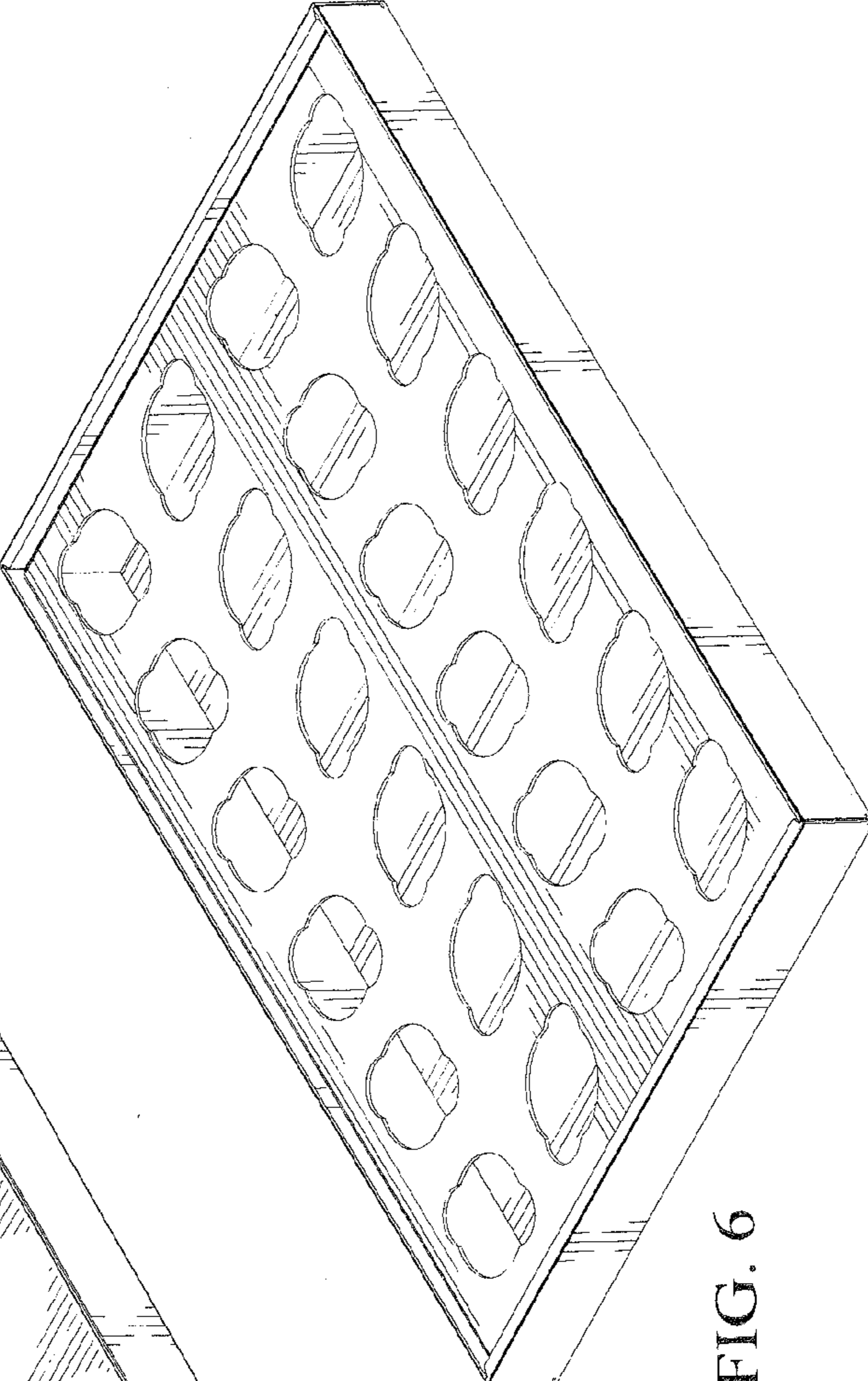


FIG. 6