



US00D709300S

(12) **United States Design Patent**  
**Gottschalk**

(10) **Patent No.:** **US D709,300 S**

(45) **Date of Patent:** **\*\* Jul. 22, 2014**

(54) **SOAP DISPENSER**

(71) Applicant: **Eric Gottschalk**, Bruchkoebel (DE)

(72) Inventor: **Eric Gottschalk**, Bruchkoebel (DE)

(73) Assignee: **Ille Papier-Service GmbH**, Altenstadt (DE)

(\*\*) Term: **14 Years**

(21) Appl. No.: **29/448,336**

(22) Filed: **Mar. 12, 2013**

(51) **LOC (10) Cl.** ..... **23-02**

(52) **U.S. Cl.**  
USPC ..... **D6/545**

(58) **Field of Classification Search**  
USPC ..... D6/542-545; 221/208, 282, 283;  
222/105, 173, 180, 181.1, 181.2, 181.3  
See application file for complete search history.

(56) **References Cited**

**U.S. PATENT DOCUMENTS**

D569,151 S \* 5/2008 Cittadino et al. .... D6/545  
D579,250 S \* 10/2008 Cittadino et al. .... D6/545

D620,292 S \* 7/2010 Kim ..... D6/545  
D628,421 S \* 12/2010 Ophardt et al. .... D6/545  
D655,962 S \* 3/2012 Cittadino ..... D6/545  
D668,899 S \* 10/2012 Buell et al. .... D6/545

\* cited by examiner

*Primary Examiner* — Brian N Vinson

(74) *Attorney, Agent, or Firm* — Ladas & Parry LLP

(57) **CLAIM**

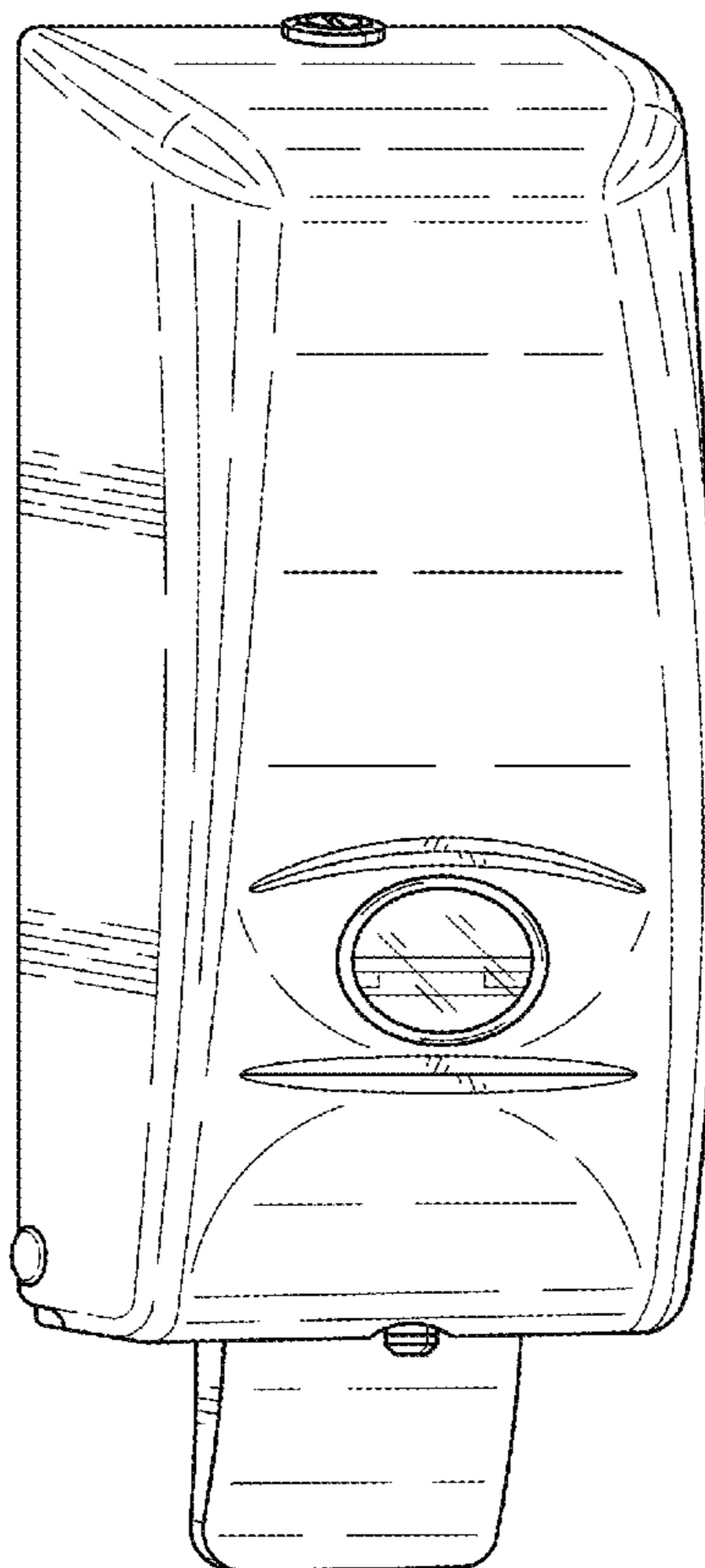
The ornamental design for a soap dispenser, as shown and described.

**DESCRIPTION**

FIG. 1 is front perspective view of my new design;  
FIG. 2 is left side elevational view thereof;  
FIG. 3 is a front elevational view thereof;  
FIG. 4 is a right side elevational view thereof;  
FIG. 5 is a rear elevational view thereof;  
FIG. 6 is a top plan view thereof; and,  
FIG. 7 is a rear plan view thereof.

The portions of the design within the boundary depicted in broken lines in FIG. 5 form no part of the claimed design.

**1 Claim, 4 Drawing Sheets**



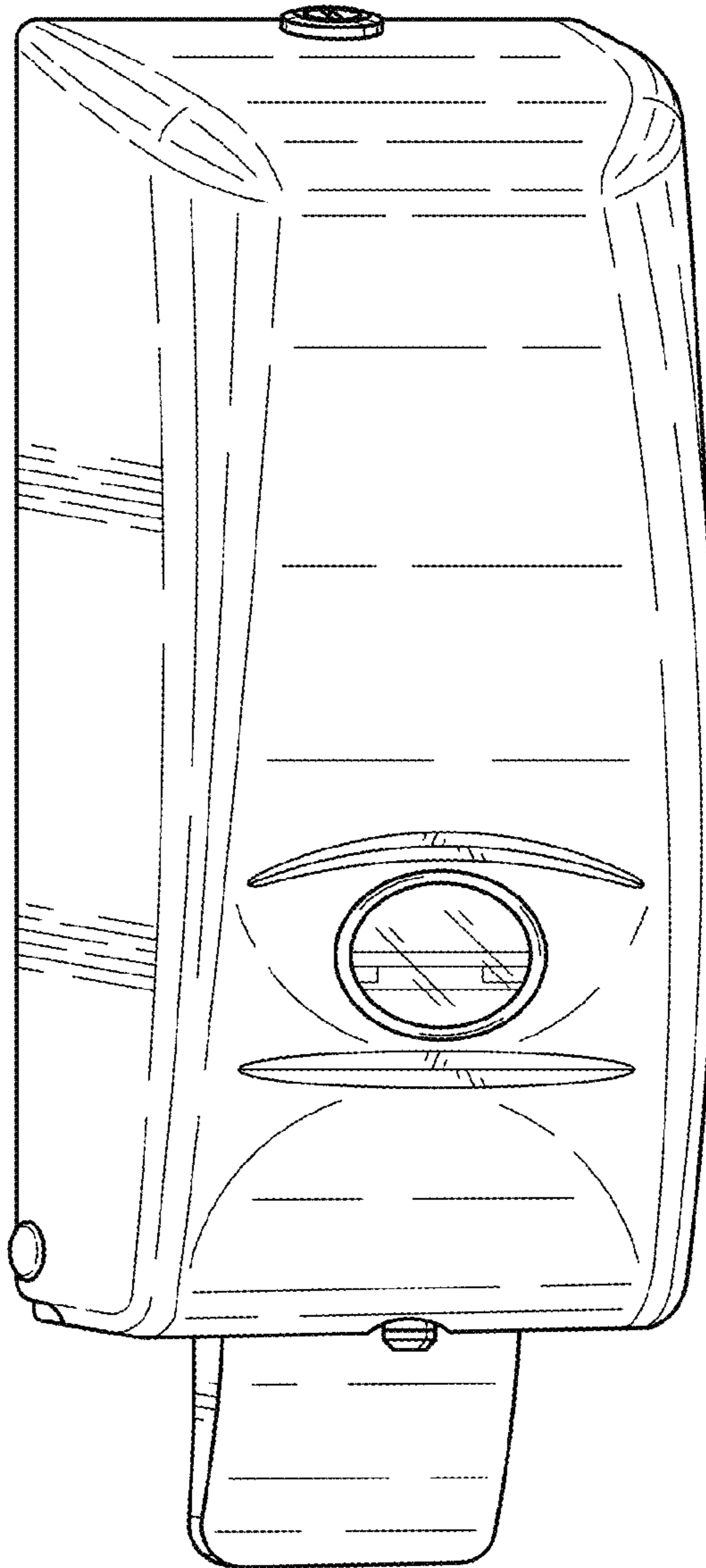


FIG. 1

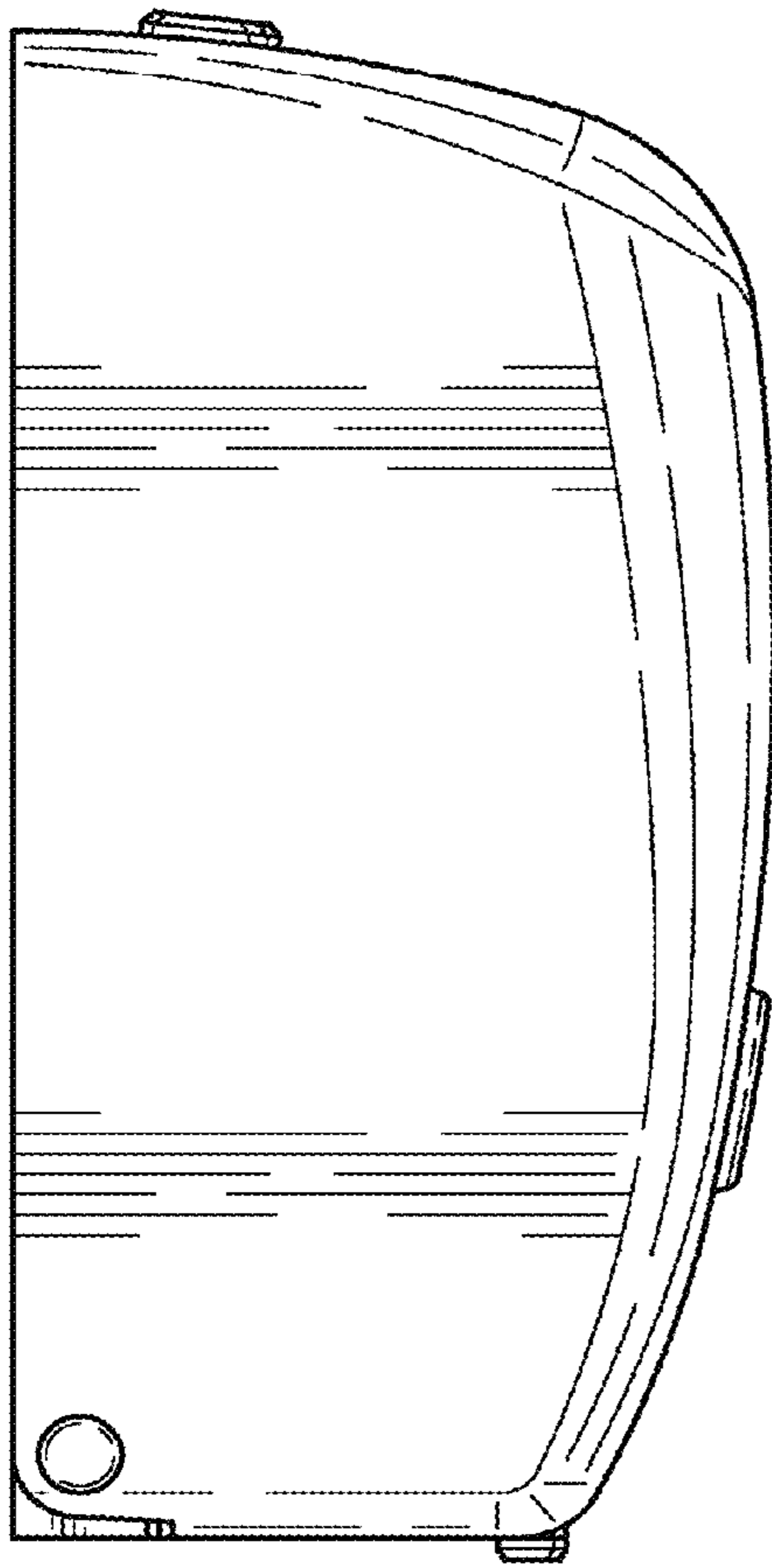


FIG. 2

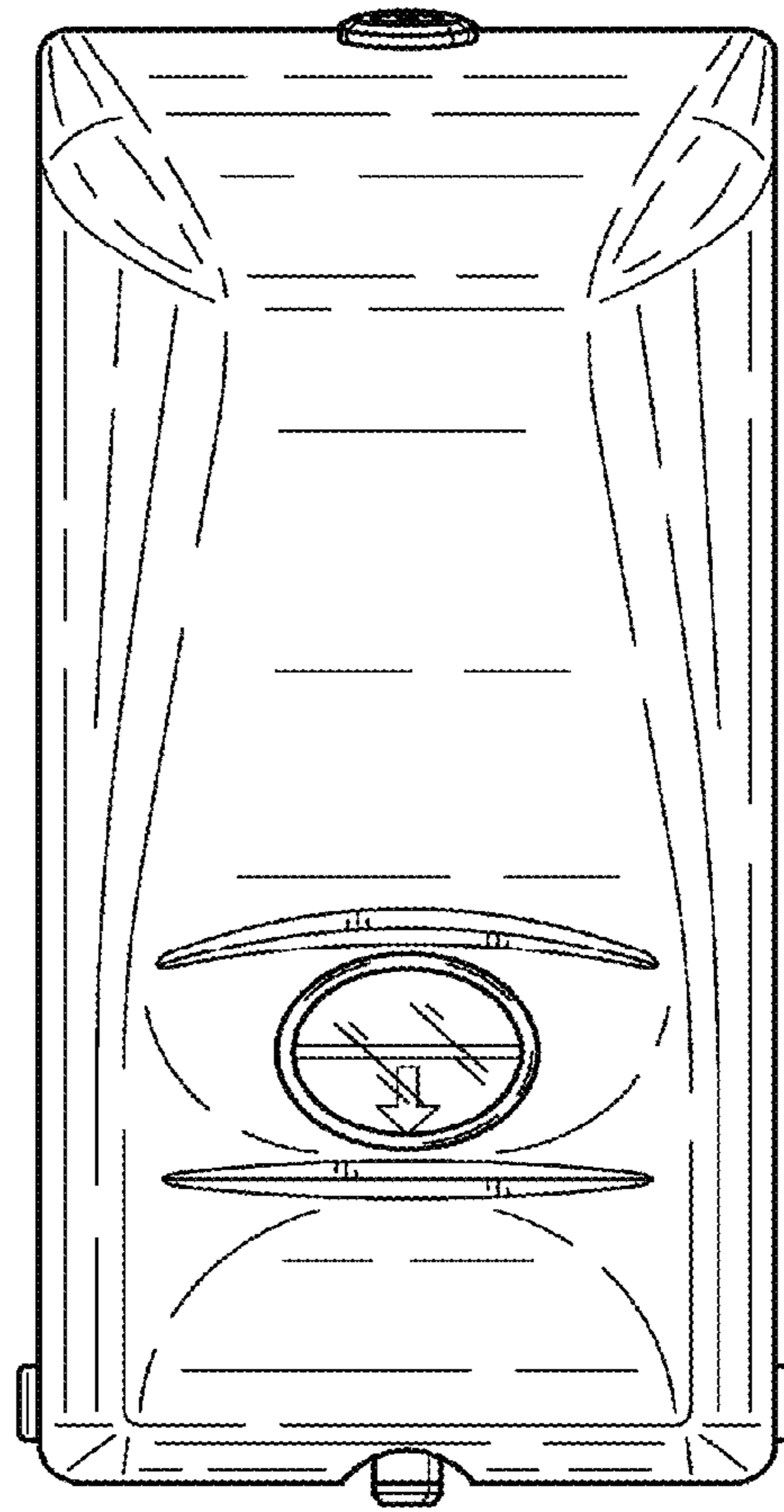


FIG. 3

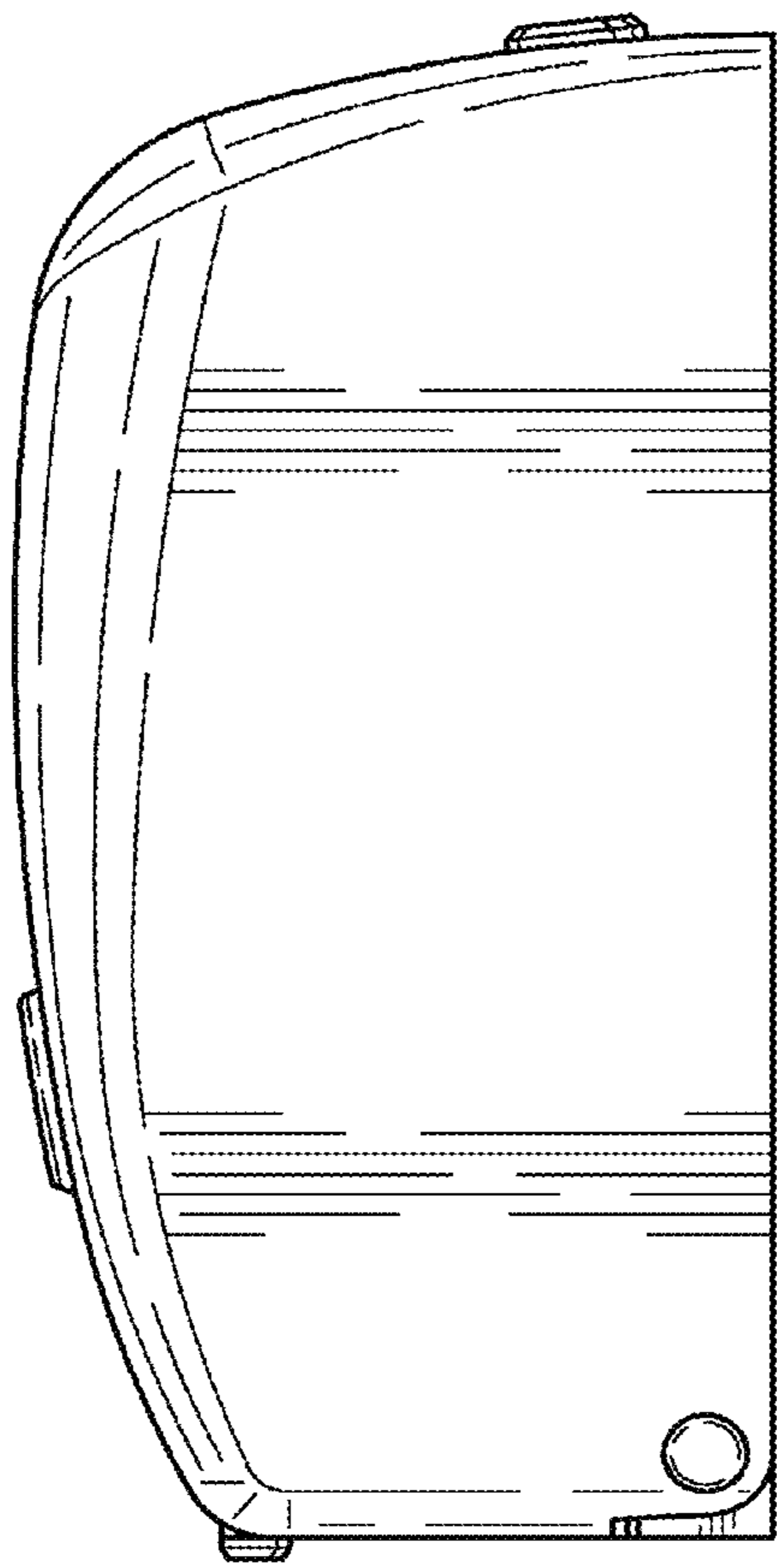


FIG. 4

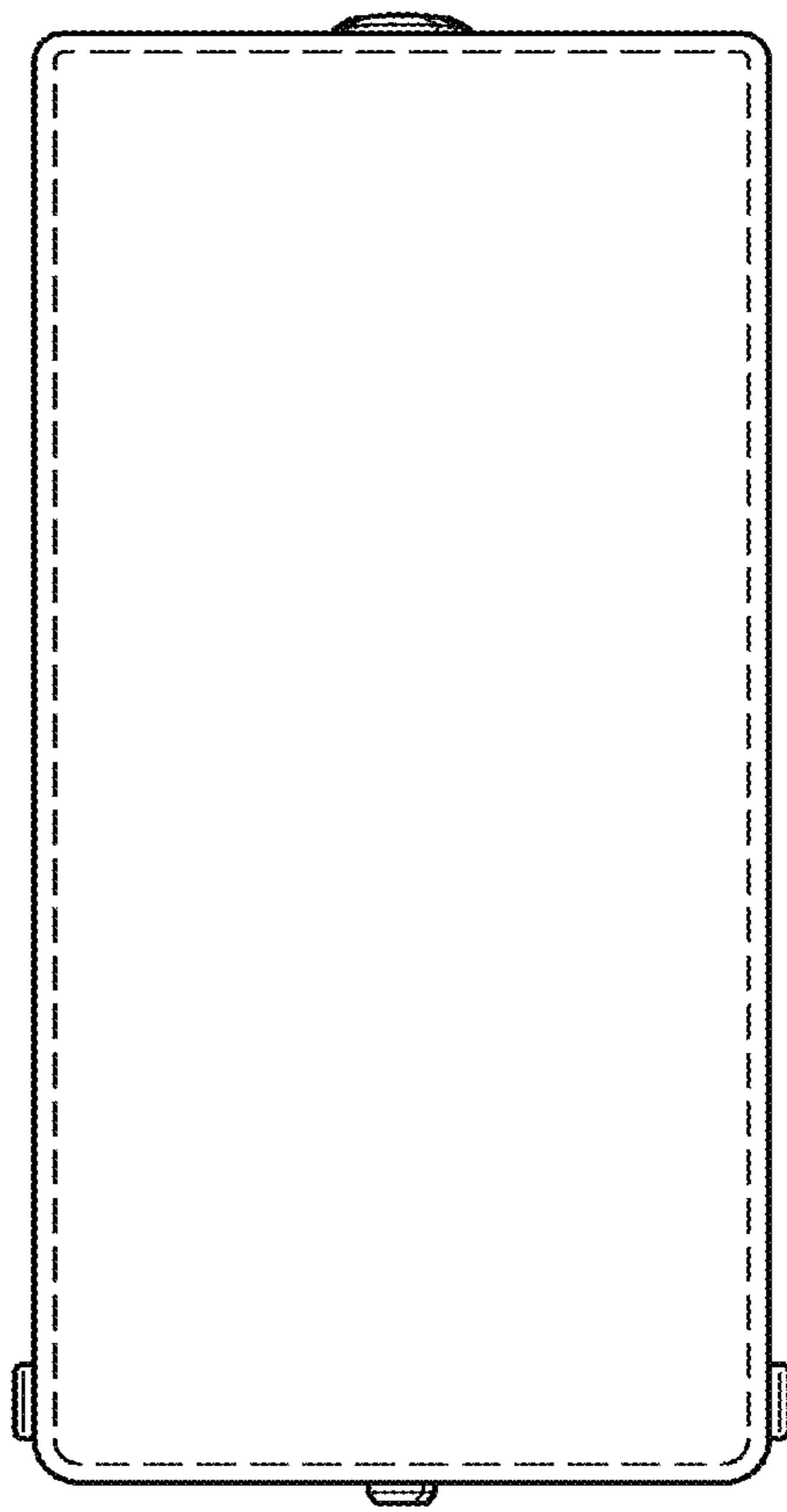


FIG. 5

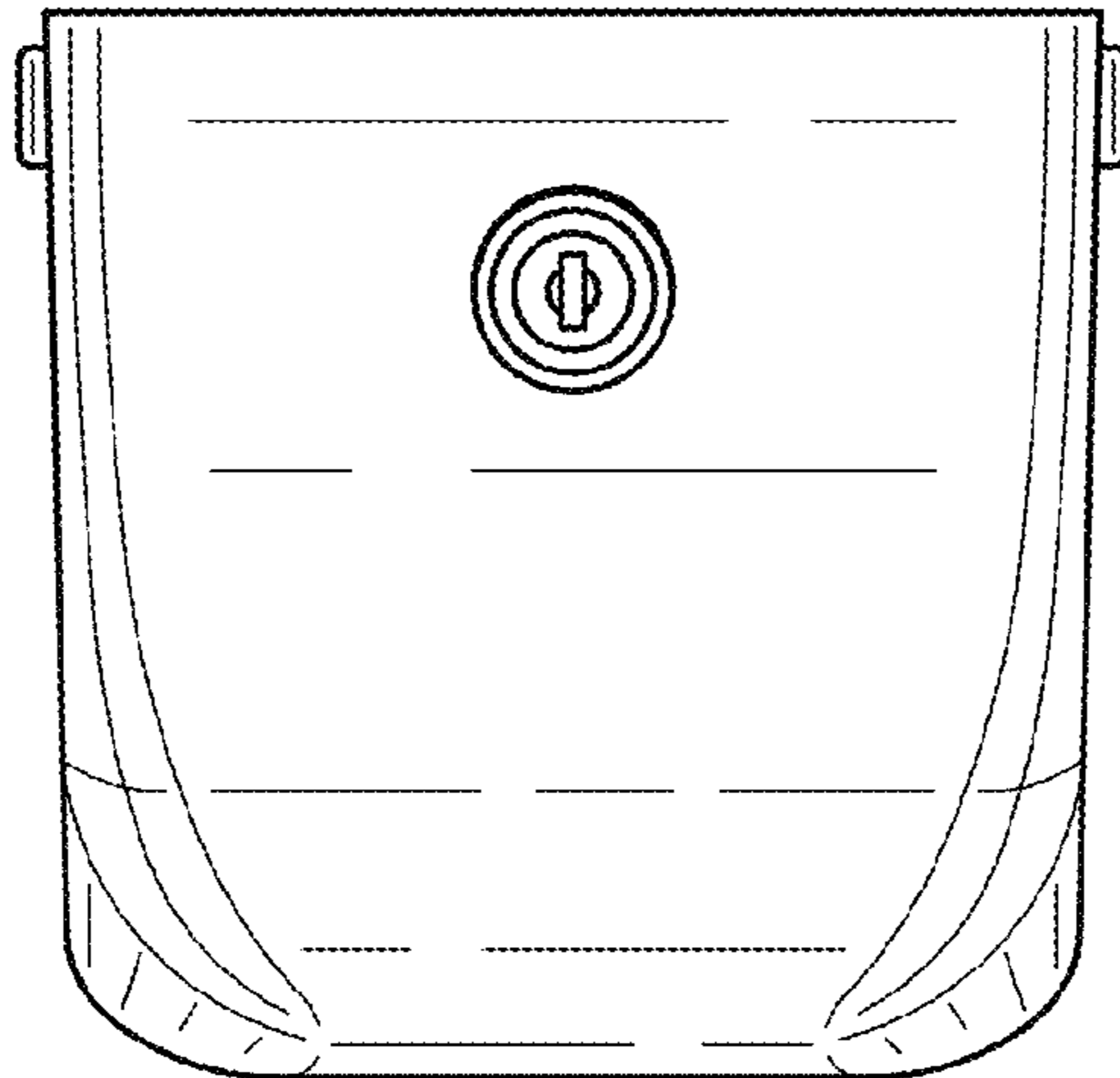


FIG. 6

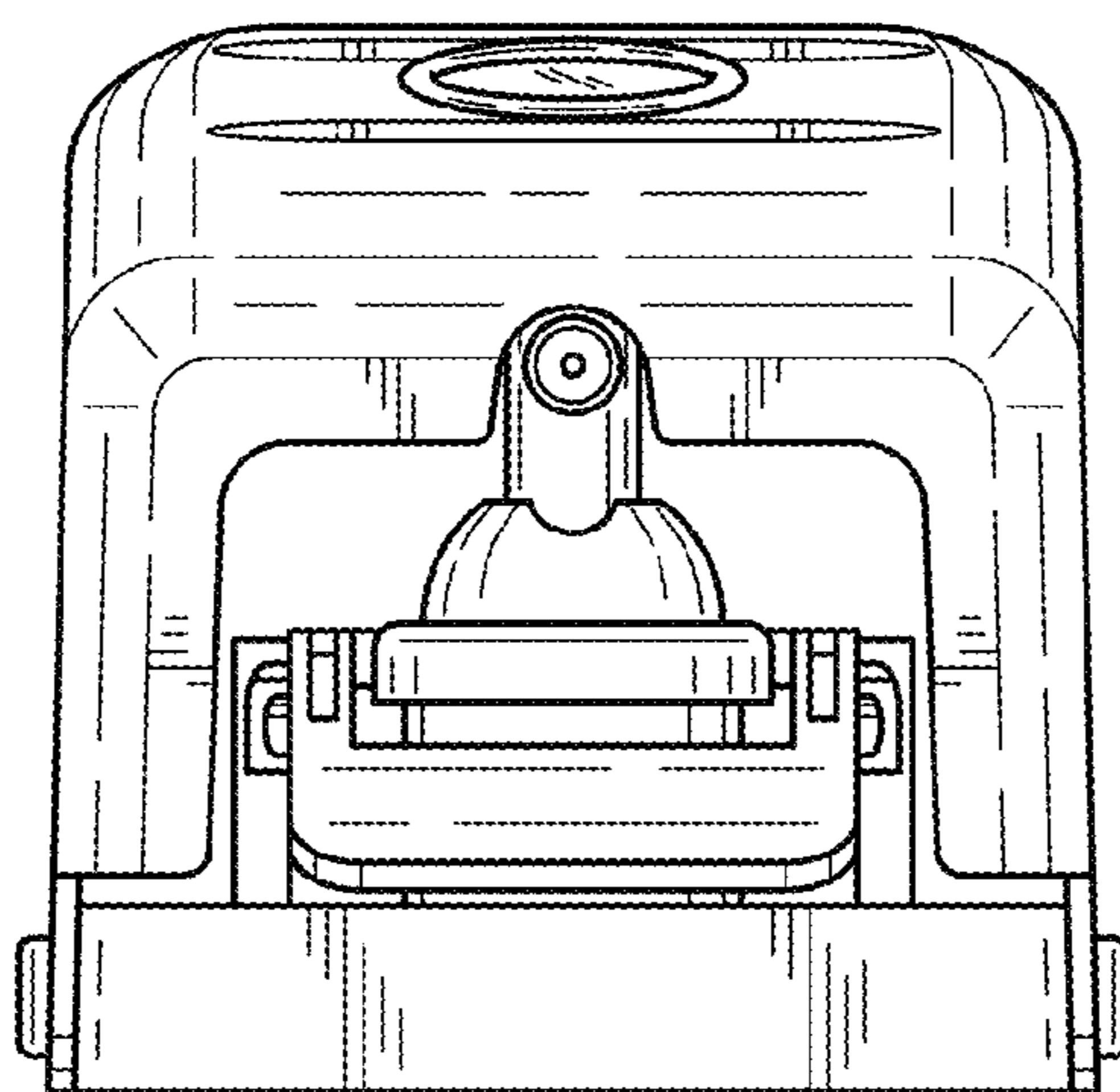


FIG. 7

UNITED STATES PATENT AND TRADEMARK OFFICE  
**CERTIFICATE OF CORRECTION**

PATENT NO. : D709,300 S  
APPLICATION NO. : 29/448336  
DATED : July 22, 2014  
INVENTOR(S) : Gottschalk

Page 1 of 3

It is certified that error appears in the above-identified patent and that said Letters Patent is hereby corrected as shown below:

The Title page, showing the illustrative figure, should be deleted and substitute therefor the attached Title page.

Signed and Sealed this  
Eighteenth Day of August, 2015



Michelle K. Lee  
*Director of the United States Patent and Trademark Office*



(12) **United States Design Patent**  
**Gottschalk**

(10) **Patent No.:** **US D709,300 S**

(45) **Date of Patent:** **\*\* Jul. 22, 2014**

(54) **SOAP DISPENSER**

(71) Applicant: **Eric Gottschalk**, Bruchkoebel (DE)

(72) Inventor: **Eric Gottschalk**, Bruchkoebel (DE)

(73) Assignee: **Ille Papier-Service GmbH**, Altenstadt (DE)

(\*\*\*) Term: **14 Years**

(21) Appl. No.: **29/448,336**

(22) Filed: **Mar. 12, 2013**

(51) **LOC (10) CL.** ..... **23-02**

(52) **U.S. CL.** ..... **D6/545**  
USPC .....

(58) **Field of Classification Search**  
USPC ..... D6/542-545; 221-208, 282, 283,  
222/105, 173, 180, 181.1, 181.2, 181.3  
See application file for complete search history.

(56) **References Cited**

**U.S. PATENT DOCUMENTS**

- D569,151 S \* 5 2008 Cittadino et al. .... D6-545
- D579,250 S \* 10 2008 Cittadino et al. .... D6-545

- D620,292 S \* 7 2010 Kim ..... D6-545
- D628,421 S \* 12 2010 Ophardt et al. .... D6-545
- D655,967 S \* 3 2012 Cittadino ..... D6-545
- D668,899 S \* 10 2012 Buell et al. .... D6-545

\* cited by examiner

*Primary Examiner* — Brian N Vinson

(74) *Attorney, Agent, or Firm* — Ladas & Parry LLP

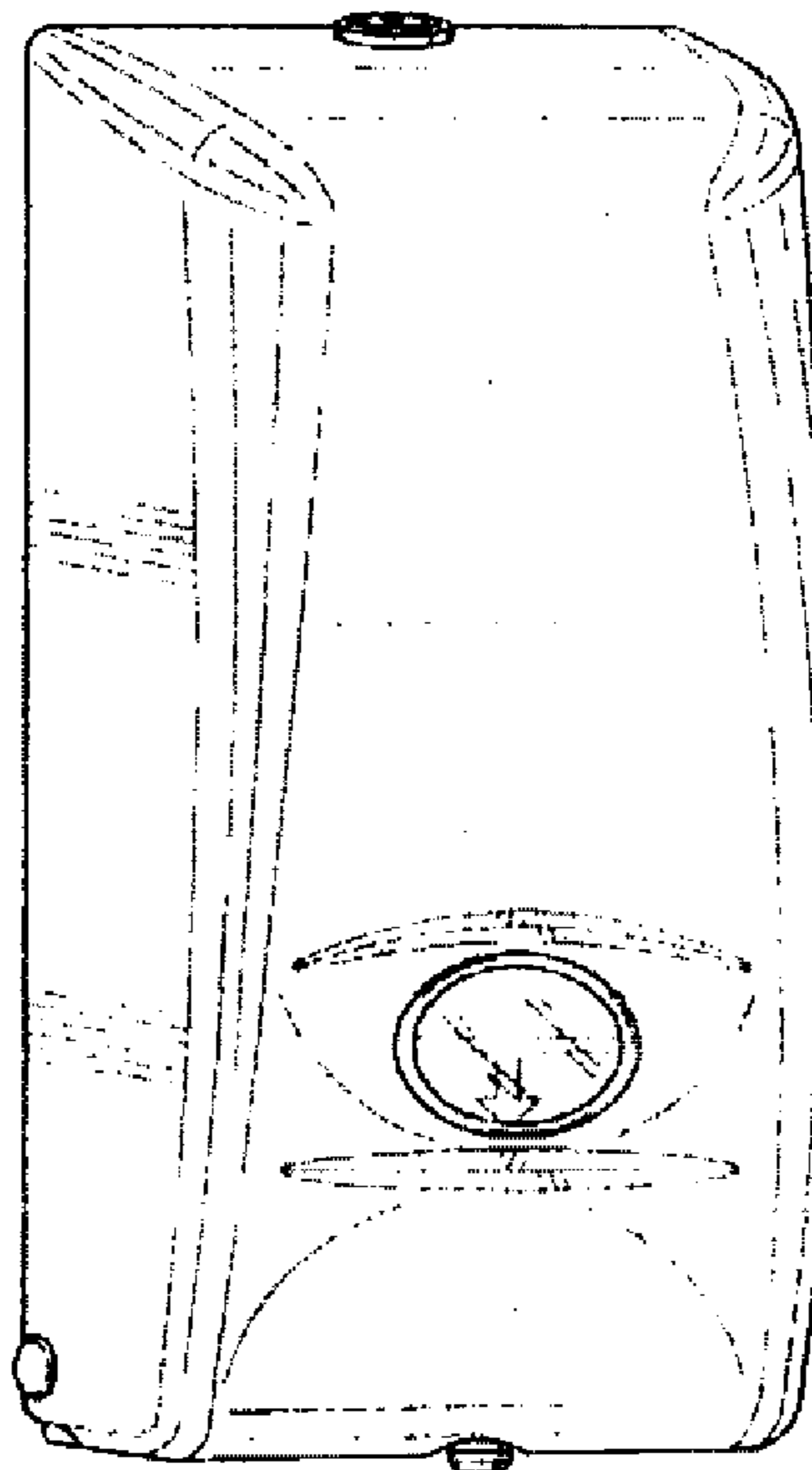
(57) **CLAIM**

The ornamental design for a soap dispenser, as shown and described.

**DESCRIPTION**

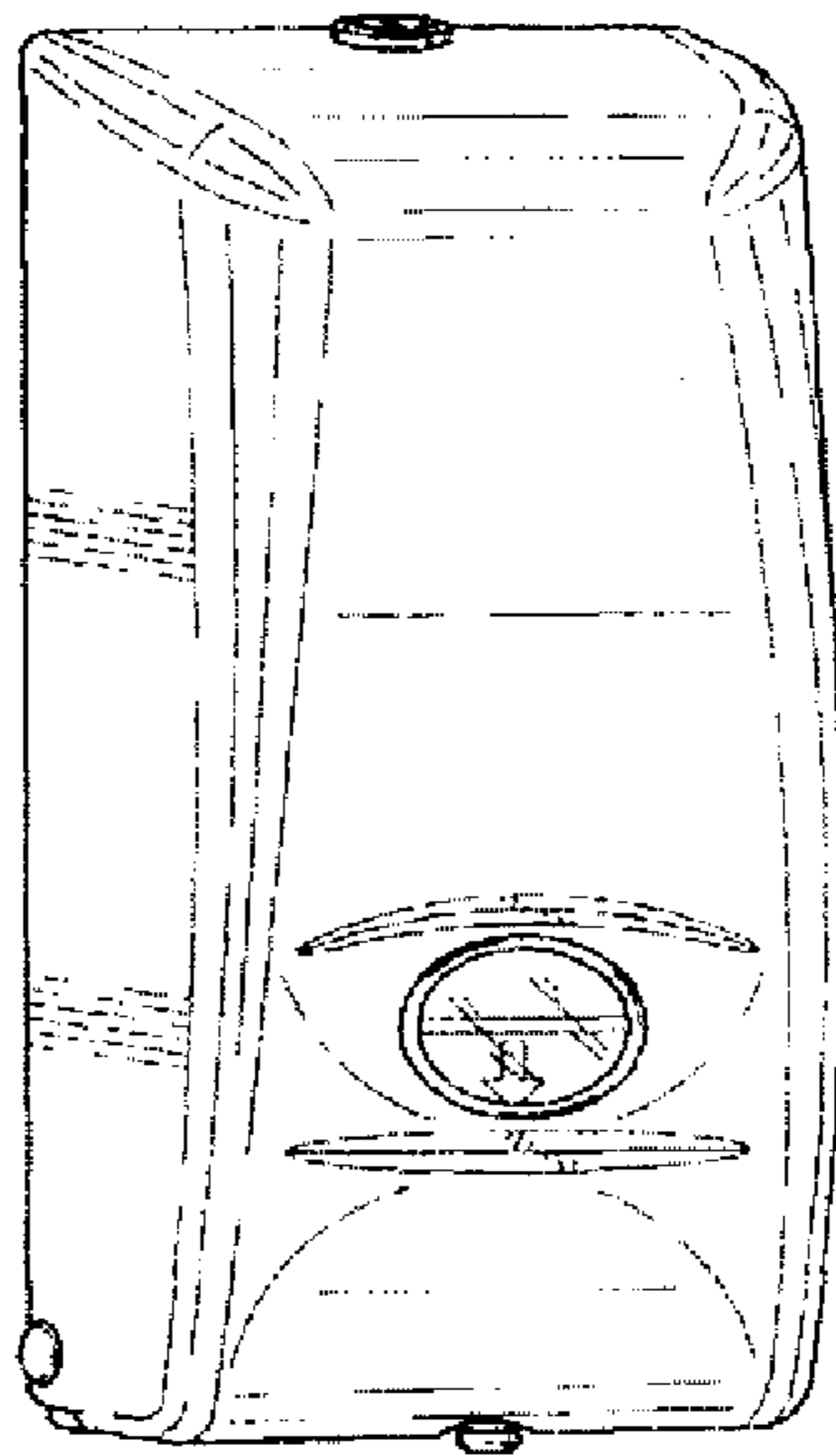
FIG. 1 is front perspective view of my new design;  
FIG. 2 is left side elevational view thereof;  
FIG. 3 is a front elevational view thereof;  
FIG. 4 is a right side elevational view thereof;  
FIG. 5 is a rear elevational view thereof;  
FIG. 6 is a top plan view thereof; and,  
FIG. 7 is a rear plan view thereof.  
The portions of the design within the boundary depicted in broken lines in FIG. 5 form no part of the claimed design.

**1 Claim, 4 Drawing Sheets**



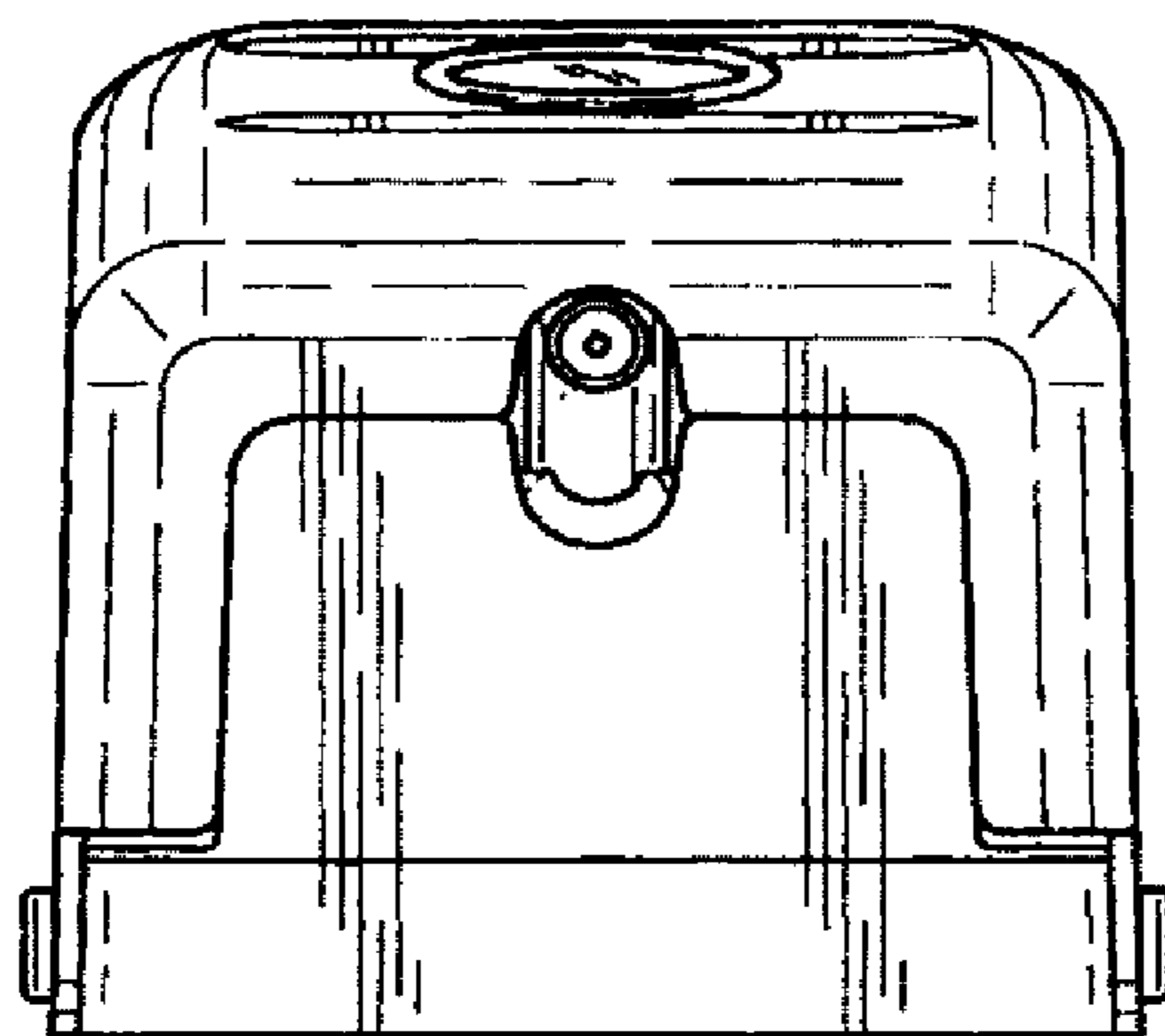
In the Drawings

Replace FIG. 1 with FIG. 1 as shown below:



**FIG. 1**

Replace FIG. 7 with FIG. 7 as shown below:



**FIG. 7**