



US00D709299S

(12) **United States Design Patent**
Thomaz

(10) **Patent No.:** **US D709,299 S**
(45) **Date of Patent:** **** Jul. 22, 2014**

(54) **PAPER TOWEL CABINET**

(71) Applicant: **Alberto Dos Santos Thomaz**, Prolecon
(ZA)

(72) Inventor: **Alberto Dos Santos Thomaz**, Prolecon
(ZA)

(73) Assignee: **Serra Manufacturing (PTY) Limited**
(ZA)

(**) Term: **14 Years**

(21) Appl. No.: **29/436,540**

(22) Filed: **Nov. 7, 2012**

(51) **LOC (10) Cl.** **23-02**

(52) **U.S. Cl.**
USPC **D6/522**

(58) **Field of Classification Search**
USPC D6/515-523; 206/225, 233, 389, 391;
211/13.1, 45; 242/570, 590; 248/309.1,
248/309.2, 905; 221/26, 33, 282-283;
222/173, 180

See application file for complete search history.

(56) **References Cited**

U.S. PATENT DOCUMENTS

D339,705 S *	9/1993	Howard et al.	D6/522
D386,922 S *	12/1997	Sedlock	D6/522
D398,797 S *	9/1998	Brandenburg et al.	D6/522
D399,084 S *	10/1998	Tramontina	D6/522
D451,323 S *	12/2001	Phelps et al.	D6/522
D583,174 S *	12/2008	Kuehneman et al.	D6/522
D654,741 S *	2/2012	Hansen	D6/522

* cited by examiner

Primary Examiner — Brian N Vinson

(74) *Attorney, Agent, or Firm* — Schwegman, Lundberg & Woesser, P.A.

(57) **CLAIM**

The ornamental design for a paper towel cabinet, as shown and described.

DESCRIPTION

FIG. 1 is a perspective view from one angle of a paper towel cabinet, showing the new design.

FIG. 2 is a perspective view from a second angle of the paper towel cabinet.

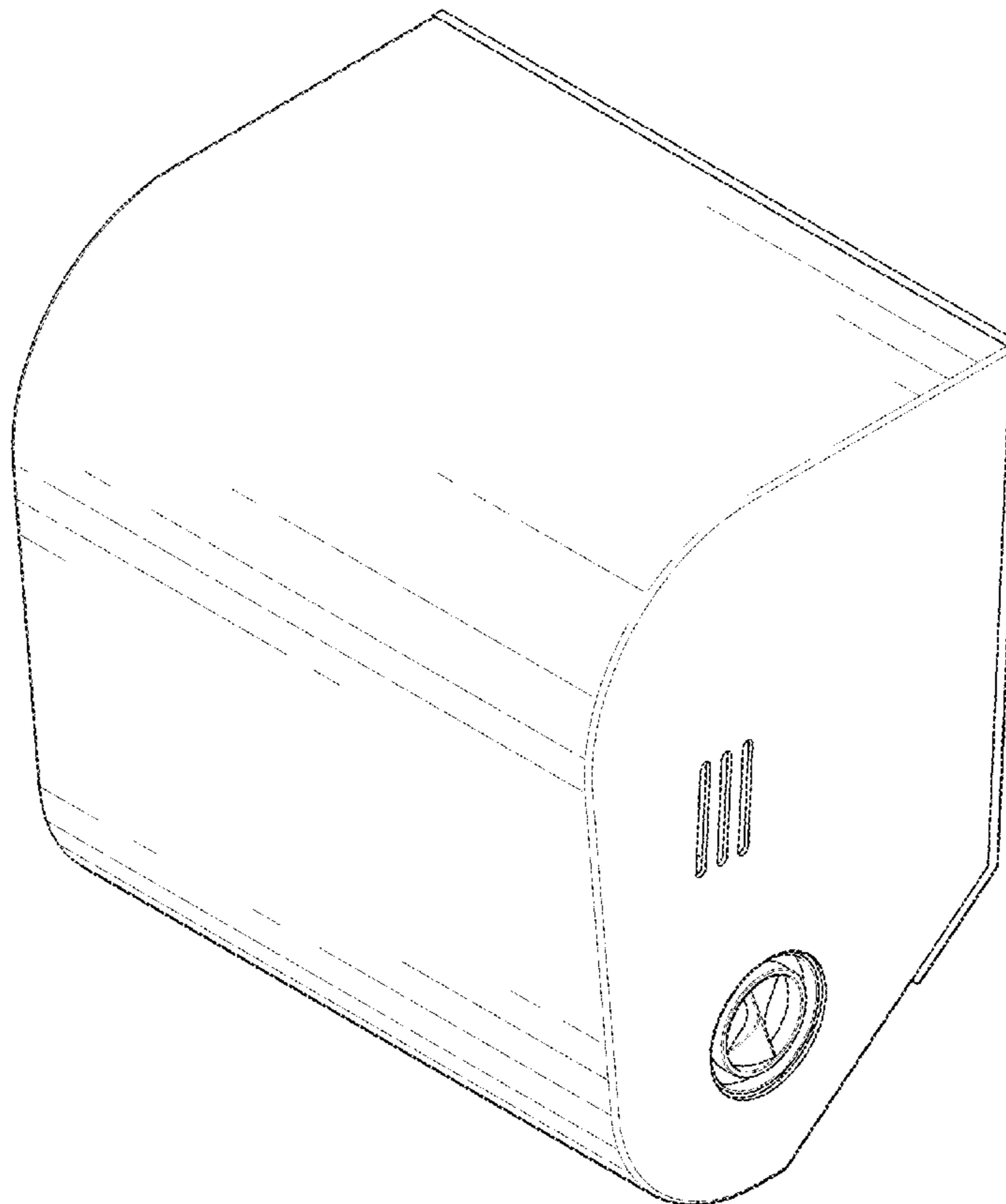
FIG. 3 is a front view of the paper towel cabinet.

FIG. 4 is a top view of the paper towel cabinet.

FIG. 5 is a right side view of the paper towel cabinet; and,

FIG. 6 is a left side view of the paper towel cabinet.

1 Claim, 6 Drawing Sheets



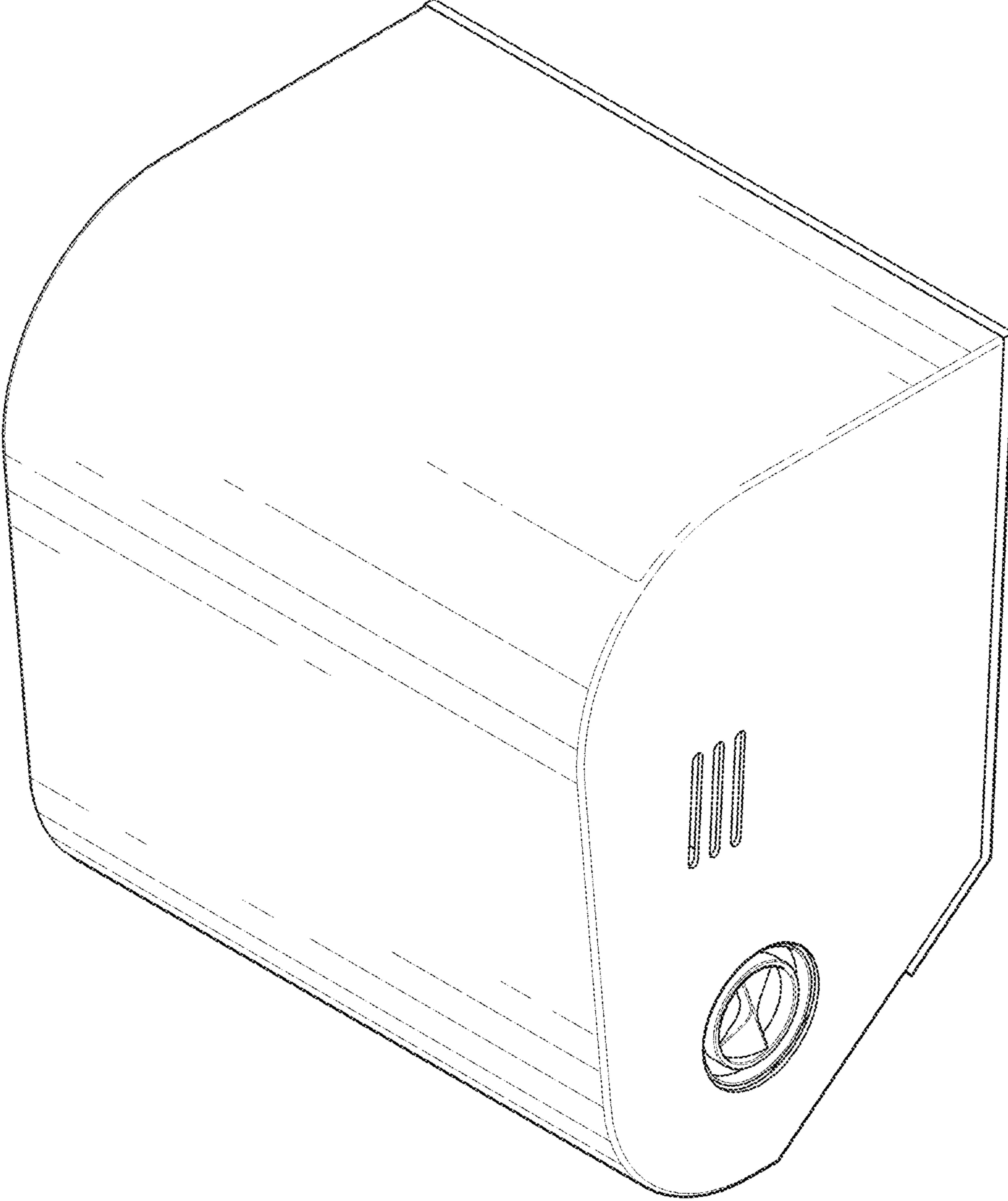


FIG. 1

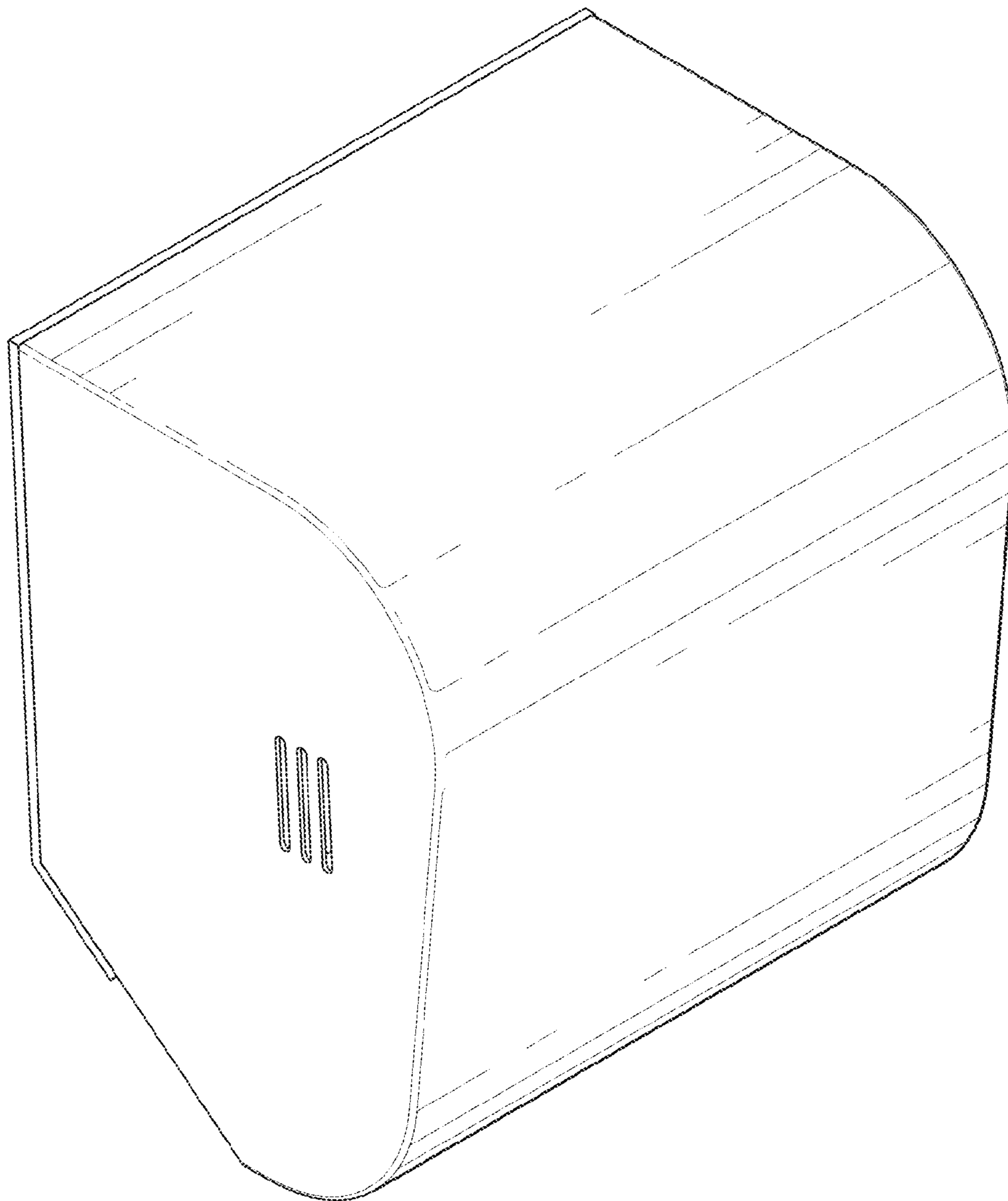


FIG. 2

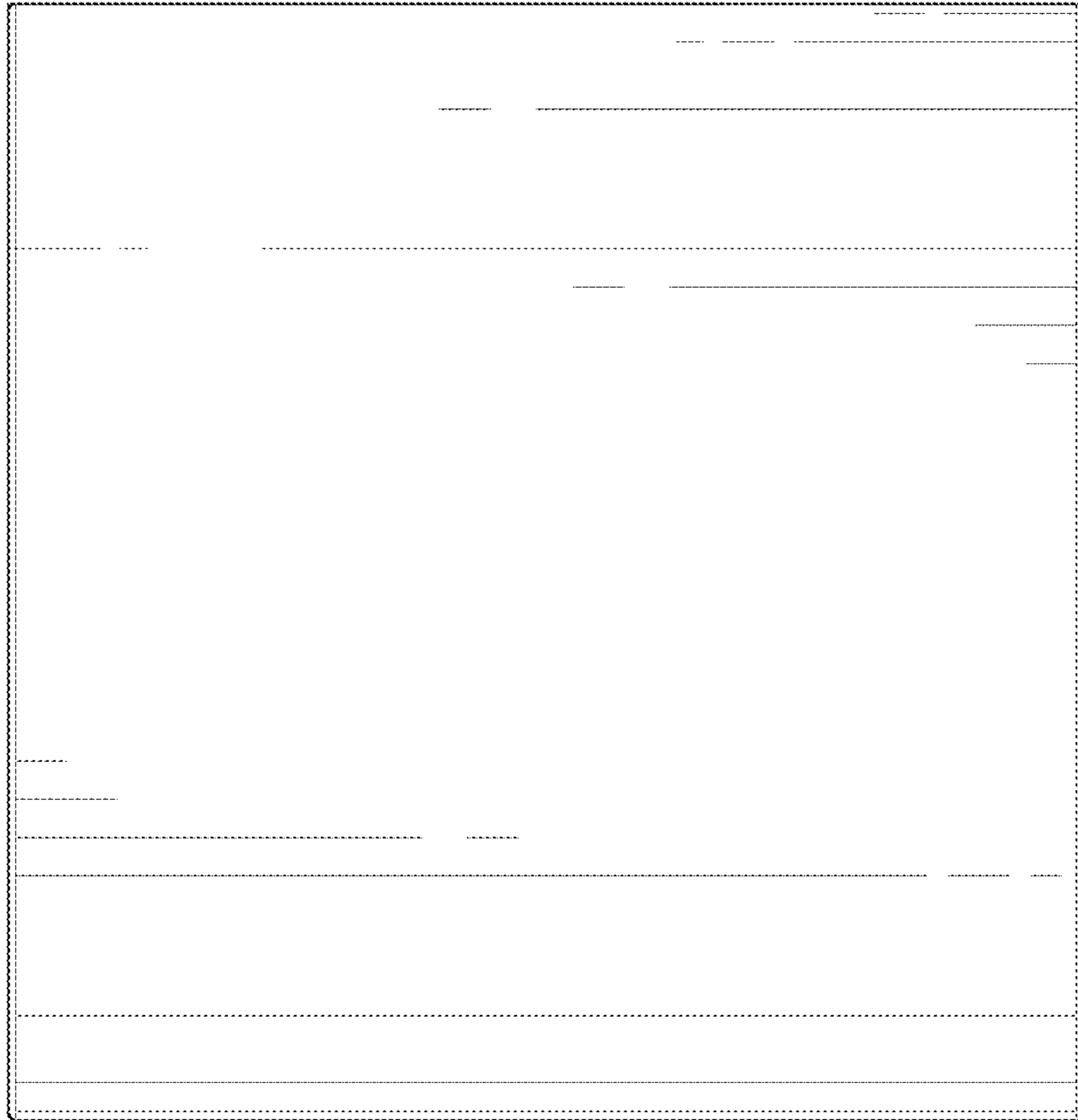


FIG. 3

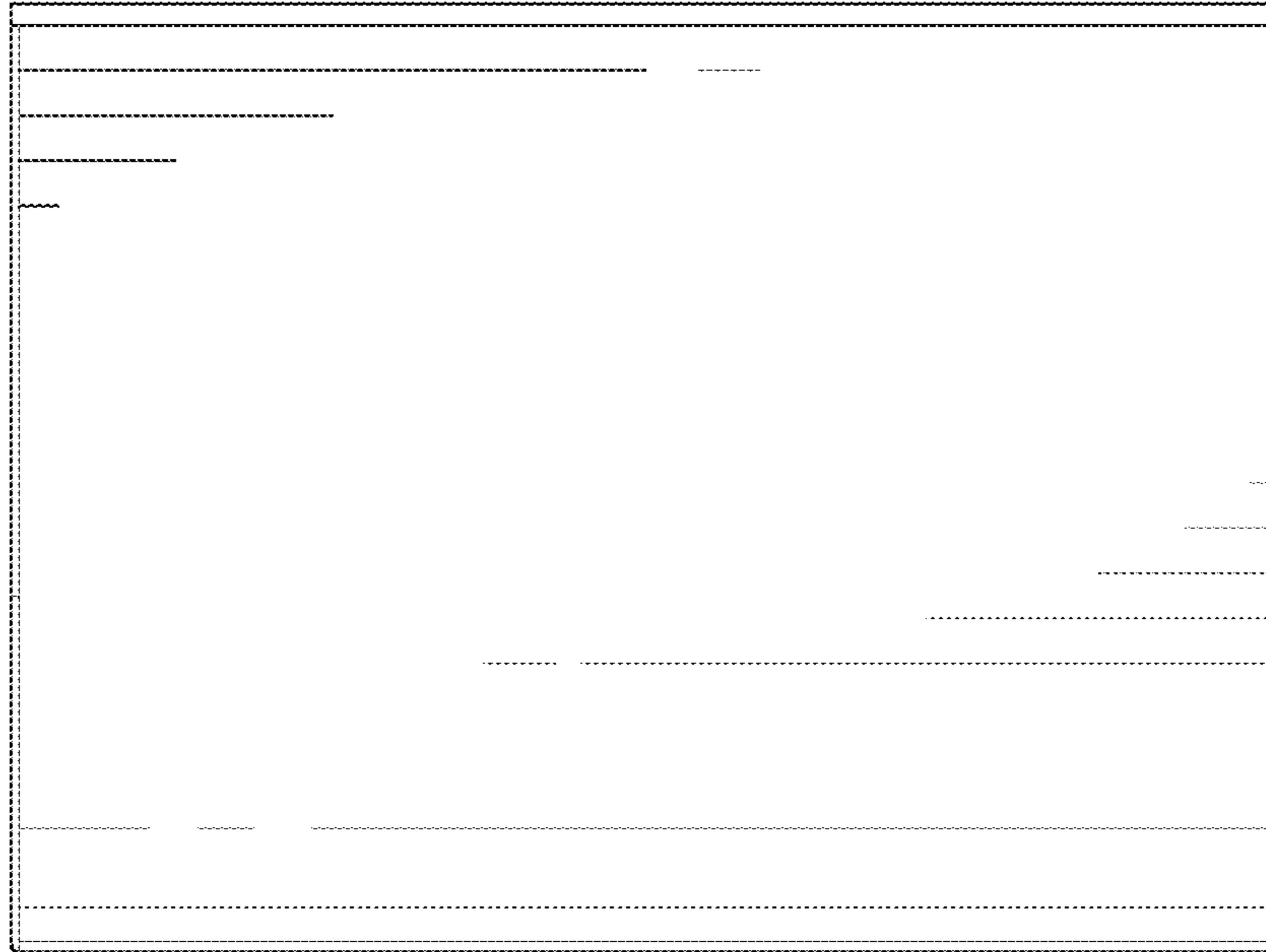


FIG. 4

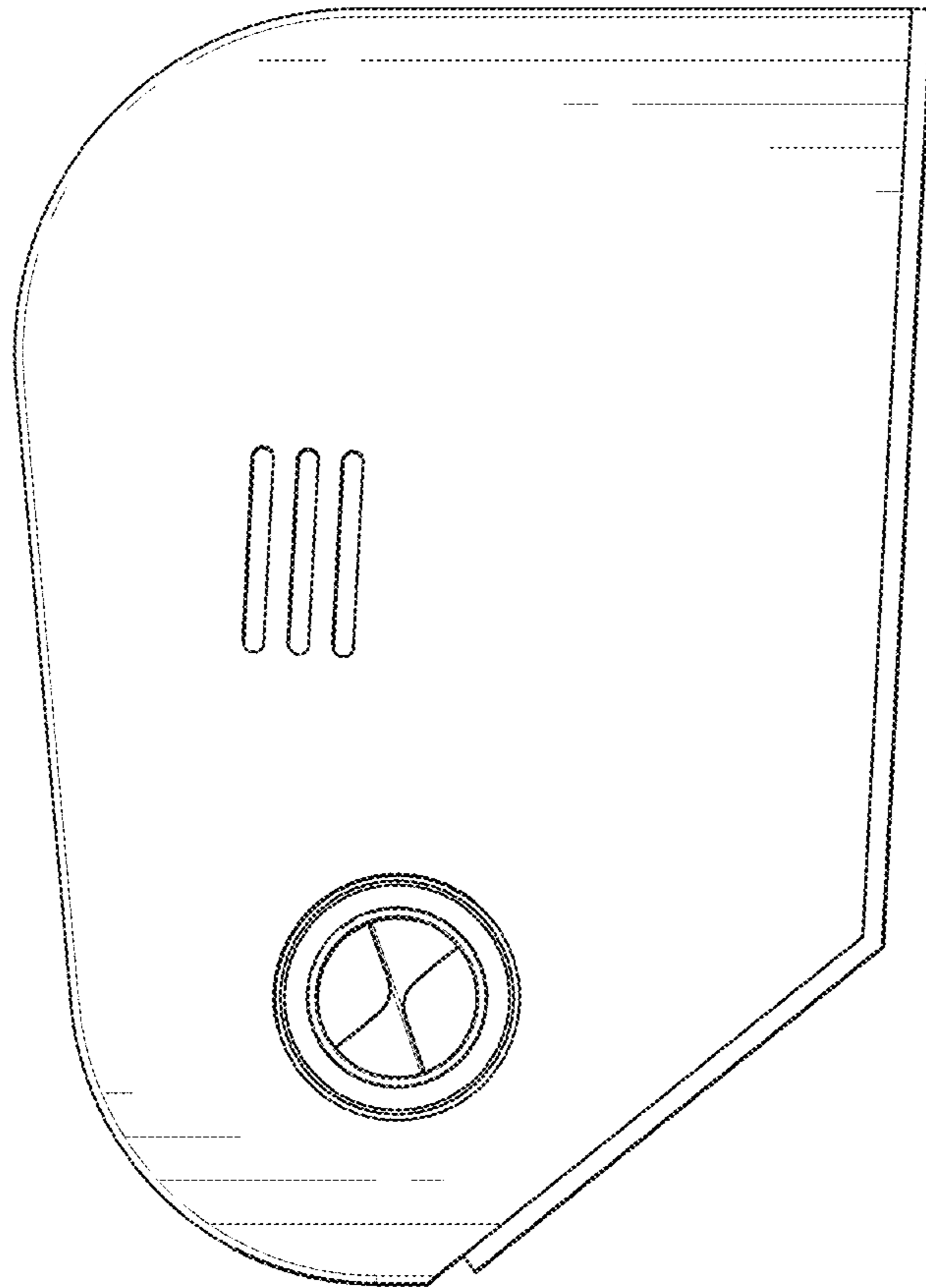


FIG. 5

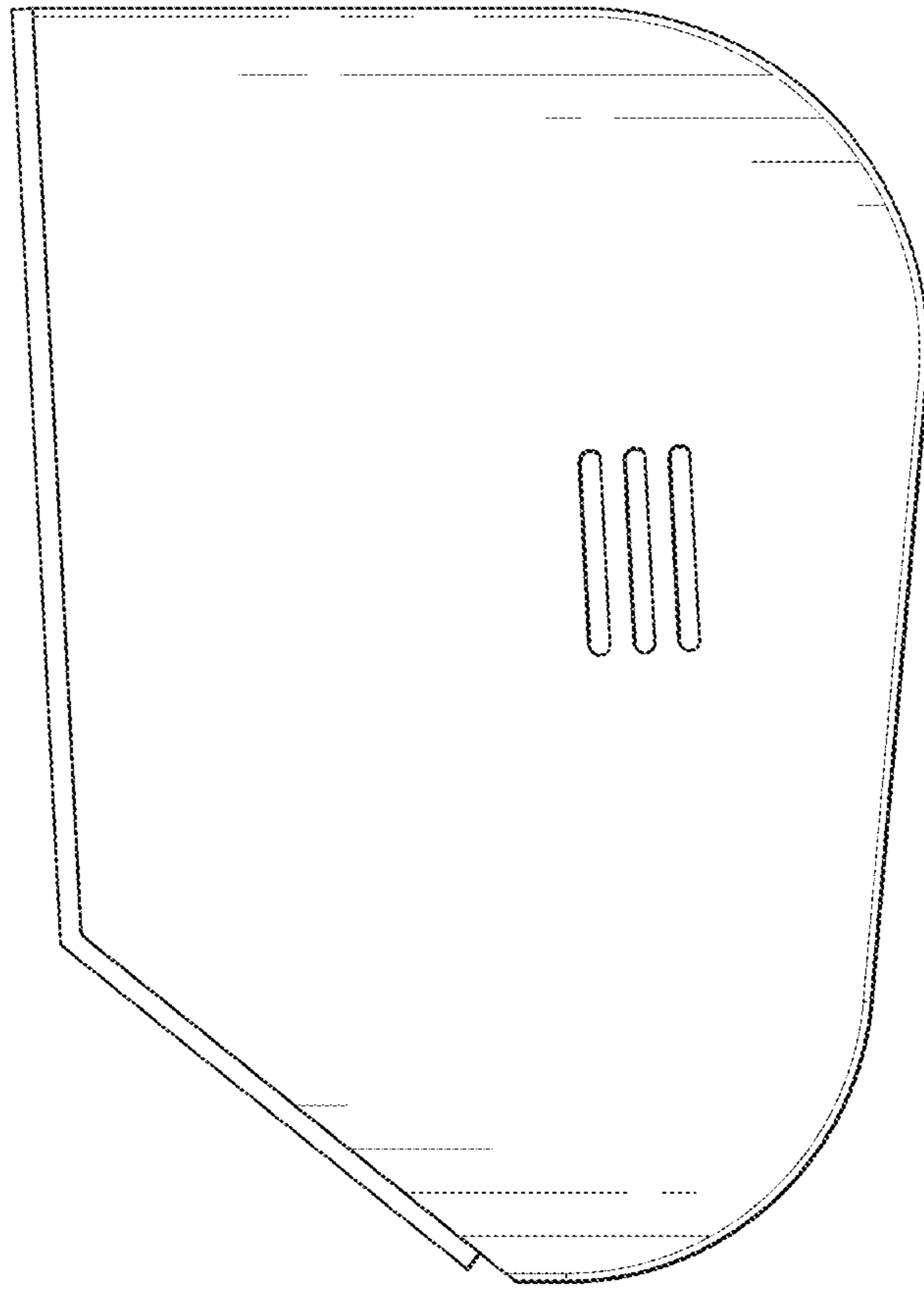


FIG. 6