



US00D709297S

(12) **United States Design Patent**
Starck

(10) **Patent No.:** **US D709,297 S**
(45) **Date of Patent:** **** Jul. 22, 2014**

(54) **CHAIR**

(71) Applicant: **Kartell S.p.A.**, Milan (IT)

(72) Inventor: **Philippe Starck**, Paris (FR)

(73) Assignee: **Kartell S.p.A.**, Milan (IT)

(**) Term: **14 Years**

(21) Appl. No.: **29/465,799**

(22) Filed: **Aug. 30, 2013**

(30) **Foreign Application Priority Data**

Apr. 4, 2013 (IT) MI2013O000079

(51) **LOC (10) Cl.** **06-01**

(52) **U.S. Cl.**
USPC **D6/375**

(58) **Field of Classification Search**
USPC D6/334–336, 369, 371, 372, 373, 374,
D6/375, 376, 716, 716.1, 716.2, 716.3,
D6/716.4; 297/239, 411.41, 411.42, 445.1,
297/451.11, 451.12, 452.14, 452.19
See application file for complete search history.

(56) **References Cited**

U.S. PATENT DOCUMENTS

D182,790 S * 5/1958 Cohen D6/375
2,845,699 A * 8/1958 Woodard 29/445.1

D192,029 S * 1/1962 Avedon et al. D6/375
3,393,941 A * 7/1968 Grosfillex 297/452.14
D535,838 S * 1/2007 Ritch et al. D6/716
D546,085 S * 7/2007 Ritch et al. D6/366
D596,865 S * 7/2009 Bergmann et al. D6/369
D596,869 S * 7/2009 Massaud D6/369
D609,037 S * 2/2010 Miller et al. D6/716
D646,085 S * 10/2011 Overthun et al. D6/716
D646,497 S * 10/2011 Overthun et al. D6/375

* cited by examiner

Primary Examiner — Mimosa De

(74) *Attorney, Agent, or Firm* — Thomas|Horstemeyer, LLP

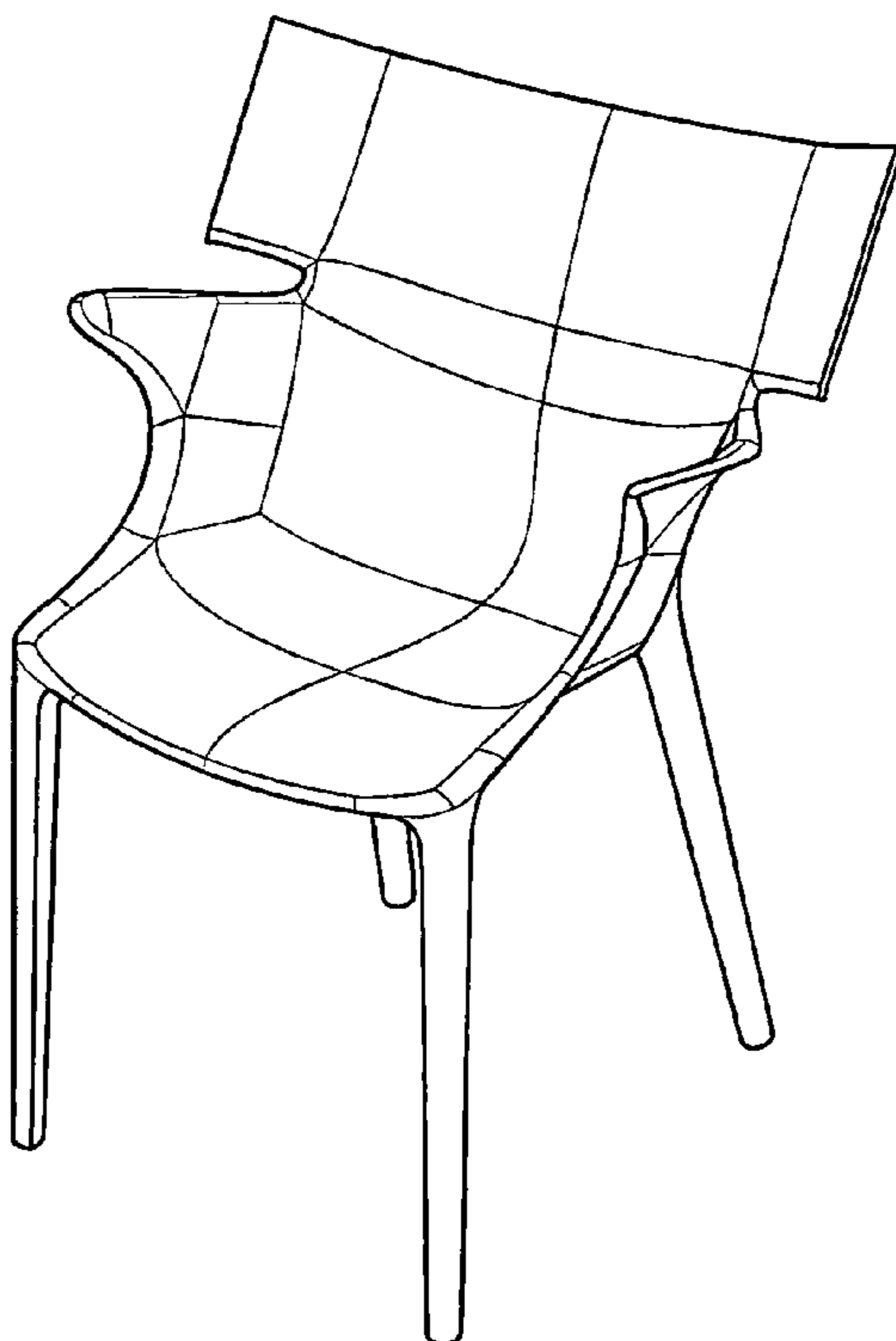
(57) **CLAIM**

The ornamental design for an chair, as shown and described.

DESCRIPTION

FIG. 1 is a front perspective view of my new chair;
FIG. 2 is a front perspective view of my new chair from the side opposite that of FIG. 1;
FIG. 3 is a front elevational view of my new chair of FIG. 1;
FIG. 4 is a rear elevational view of my new chair of FIG. 1;
FIG. 5 is a side elevational view of my new chair from the right side of FIG. 1;
FIG. 6 is a side elevational view of my new chair from the left side of FIG. 1;
FIG. 7 is a top plan view of my new chair of FIG. 1; and,
FIG. 8 is a bottom plan view of my new chair of FIG. 1.

1 Claim, 8 Drawing Sheets



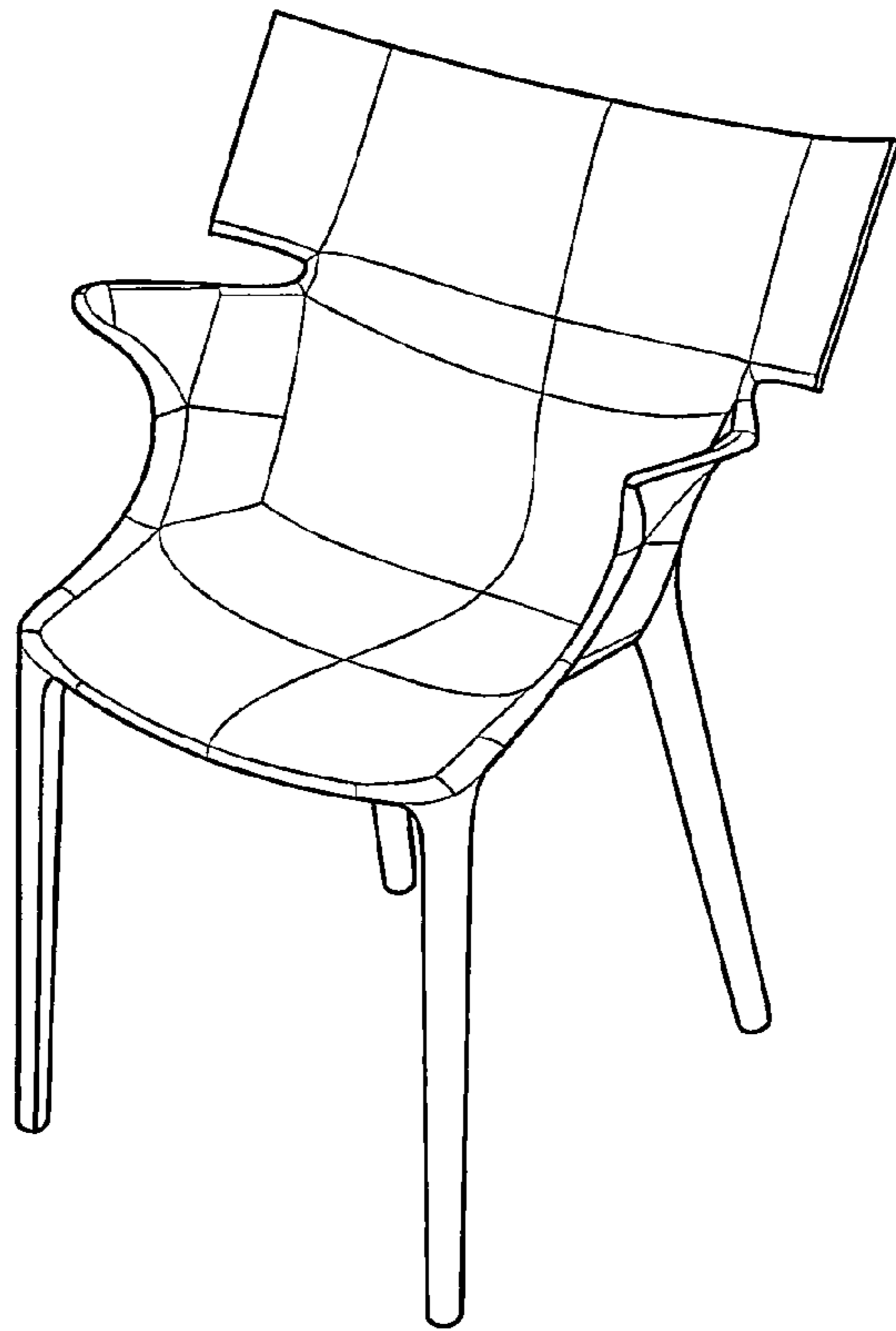


FIG. 1

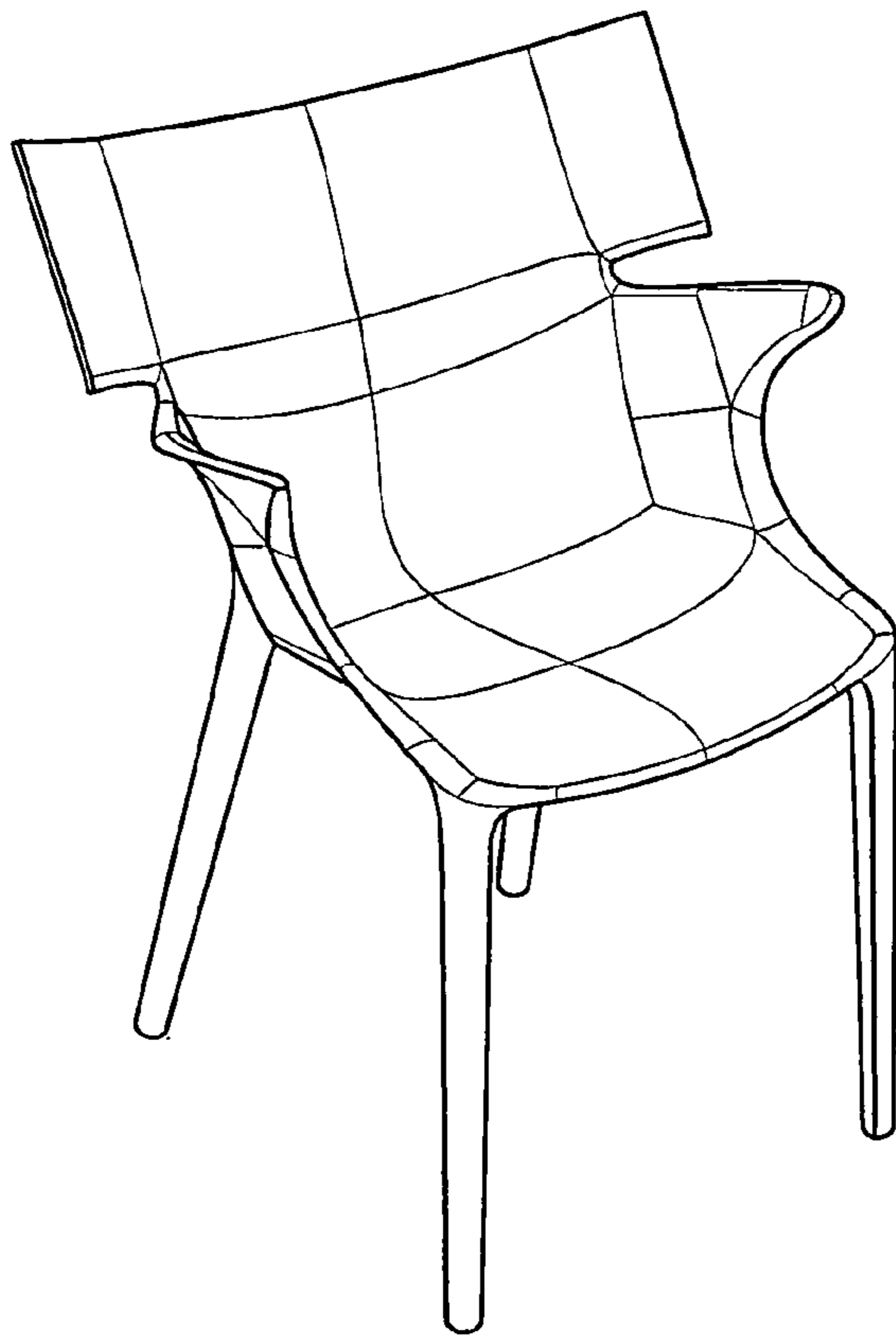


FIG. 2

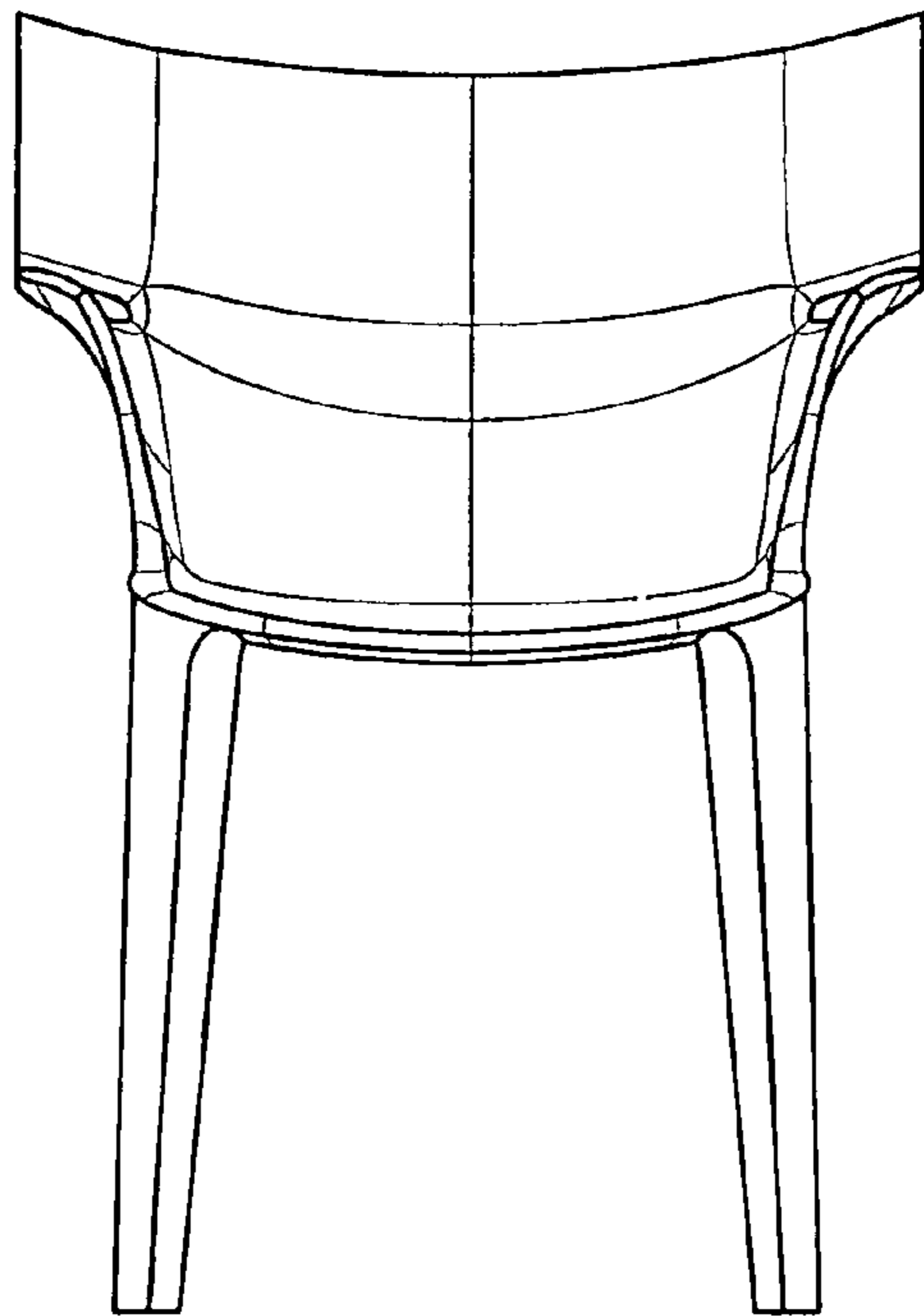


FIG. 3

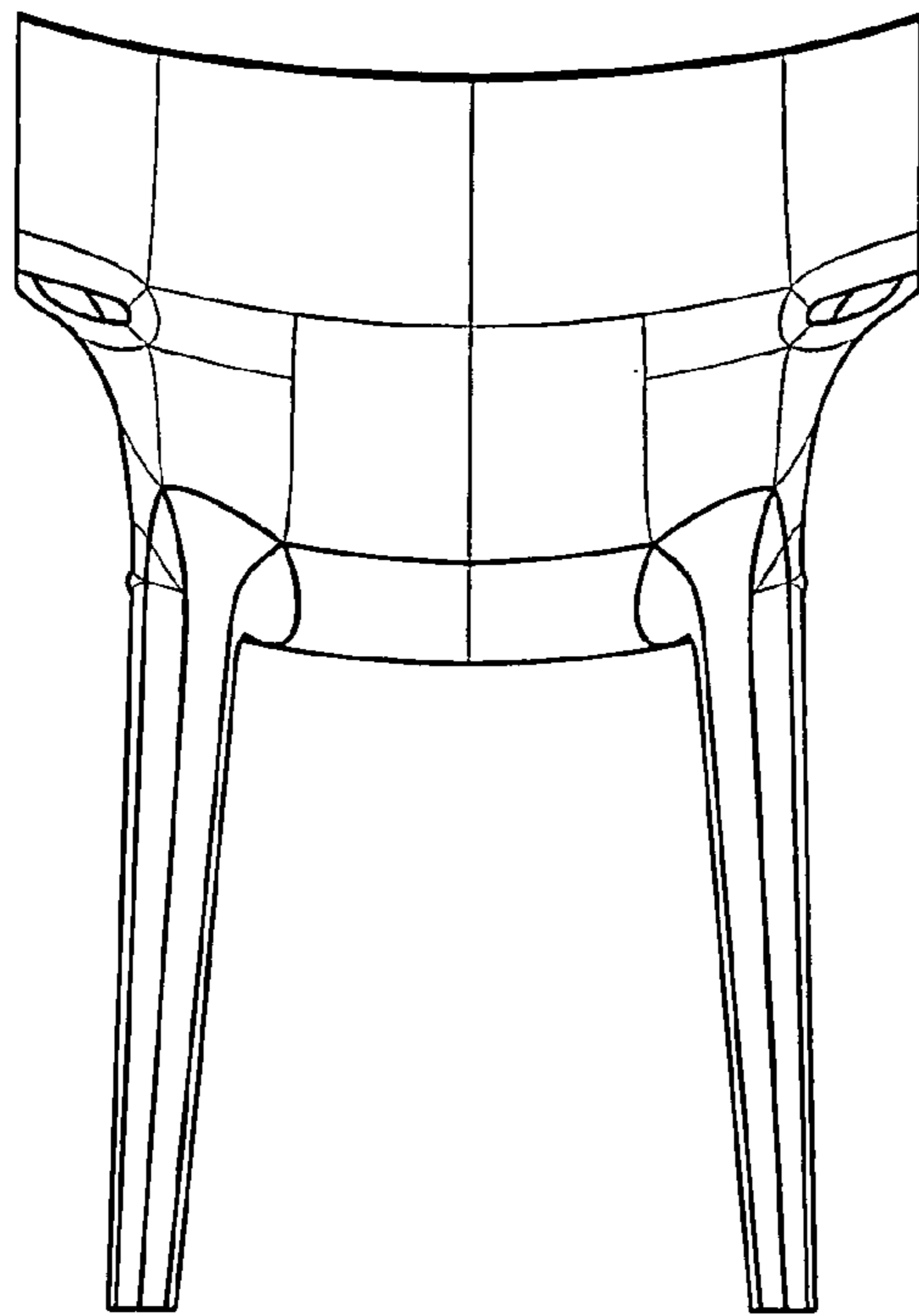


FIG. 4

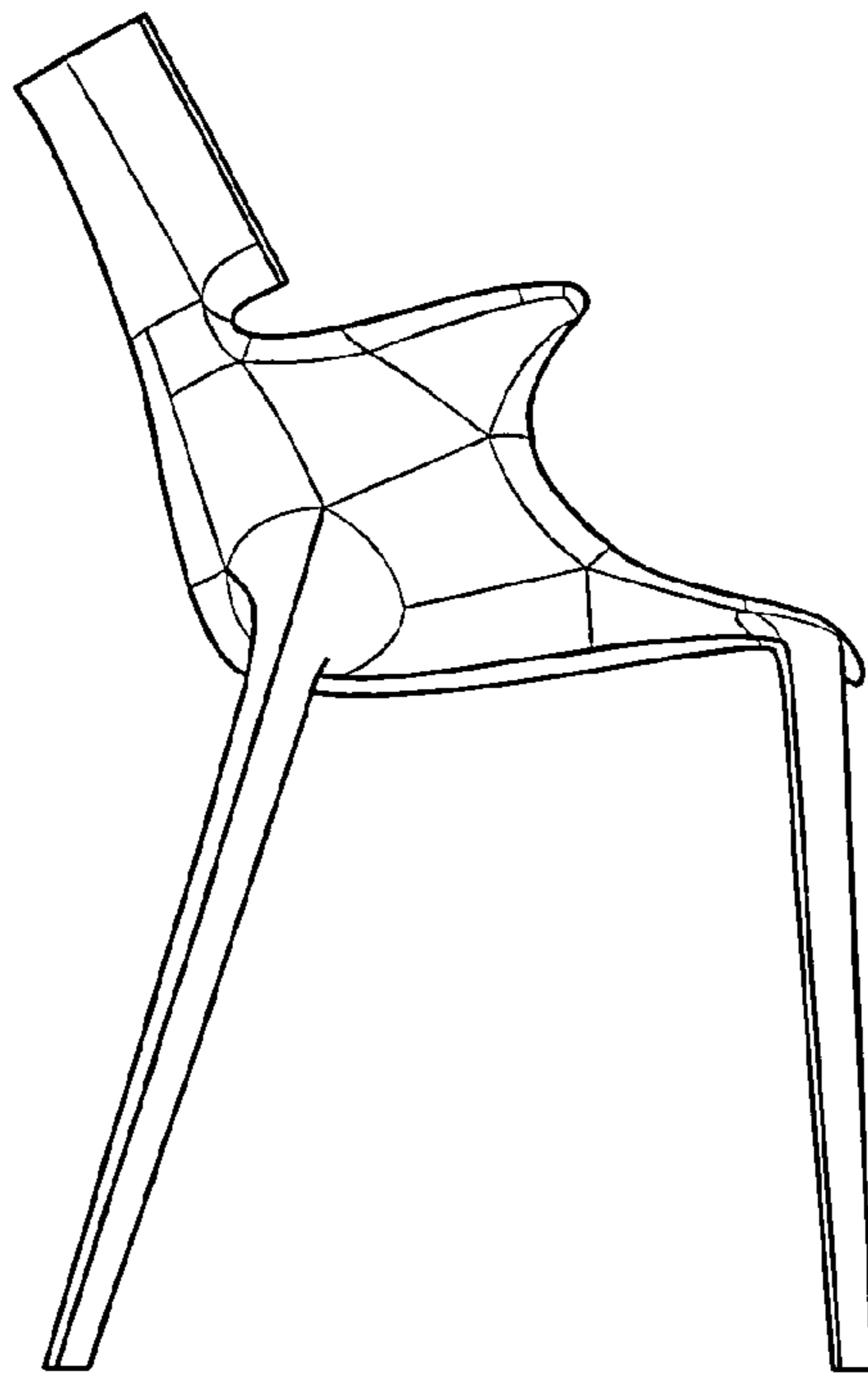


FIG. 5

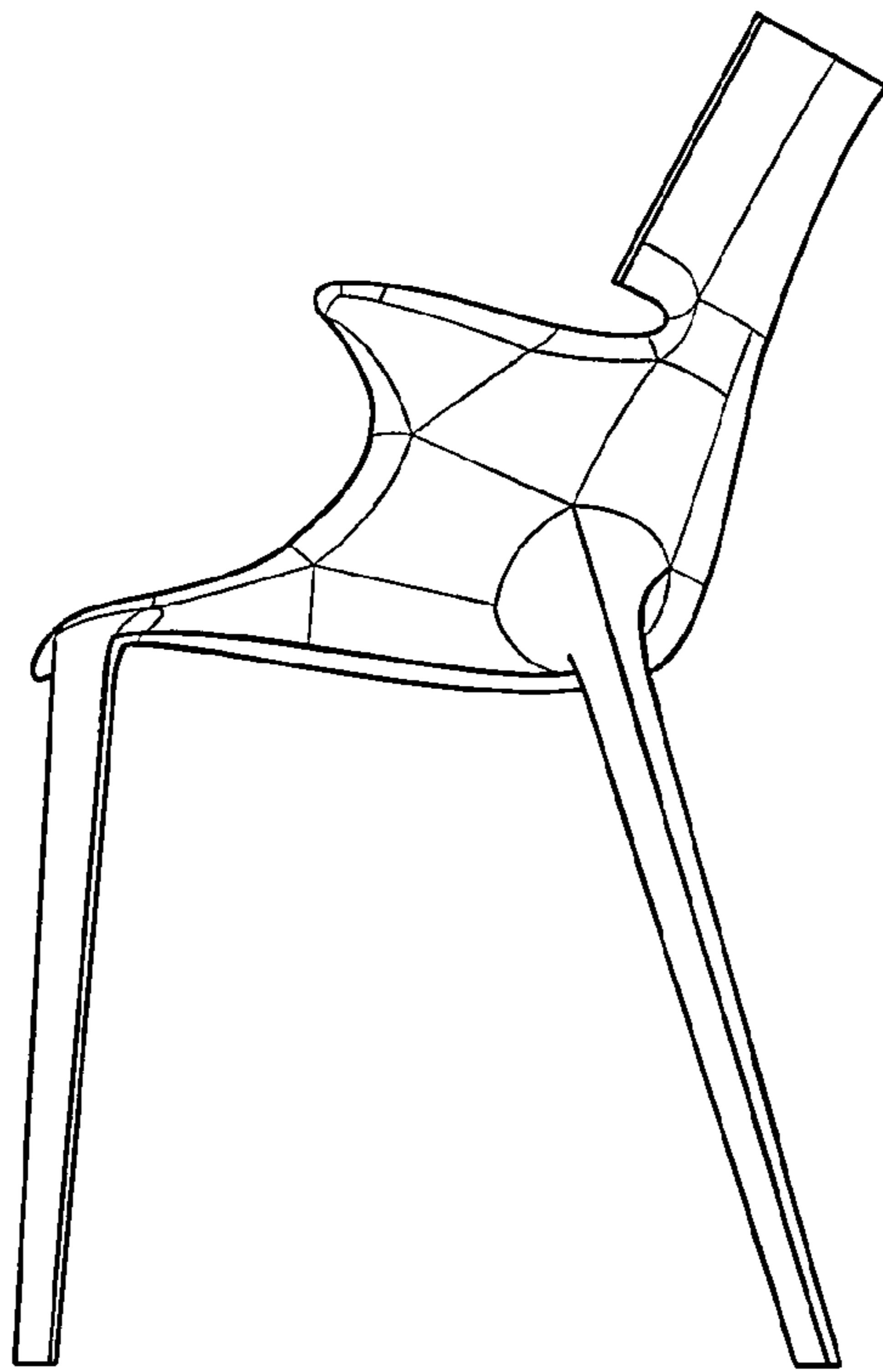


FIG. 6

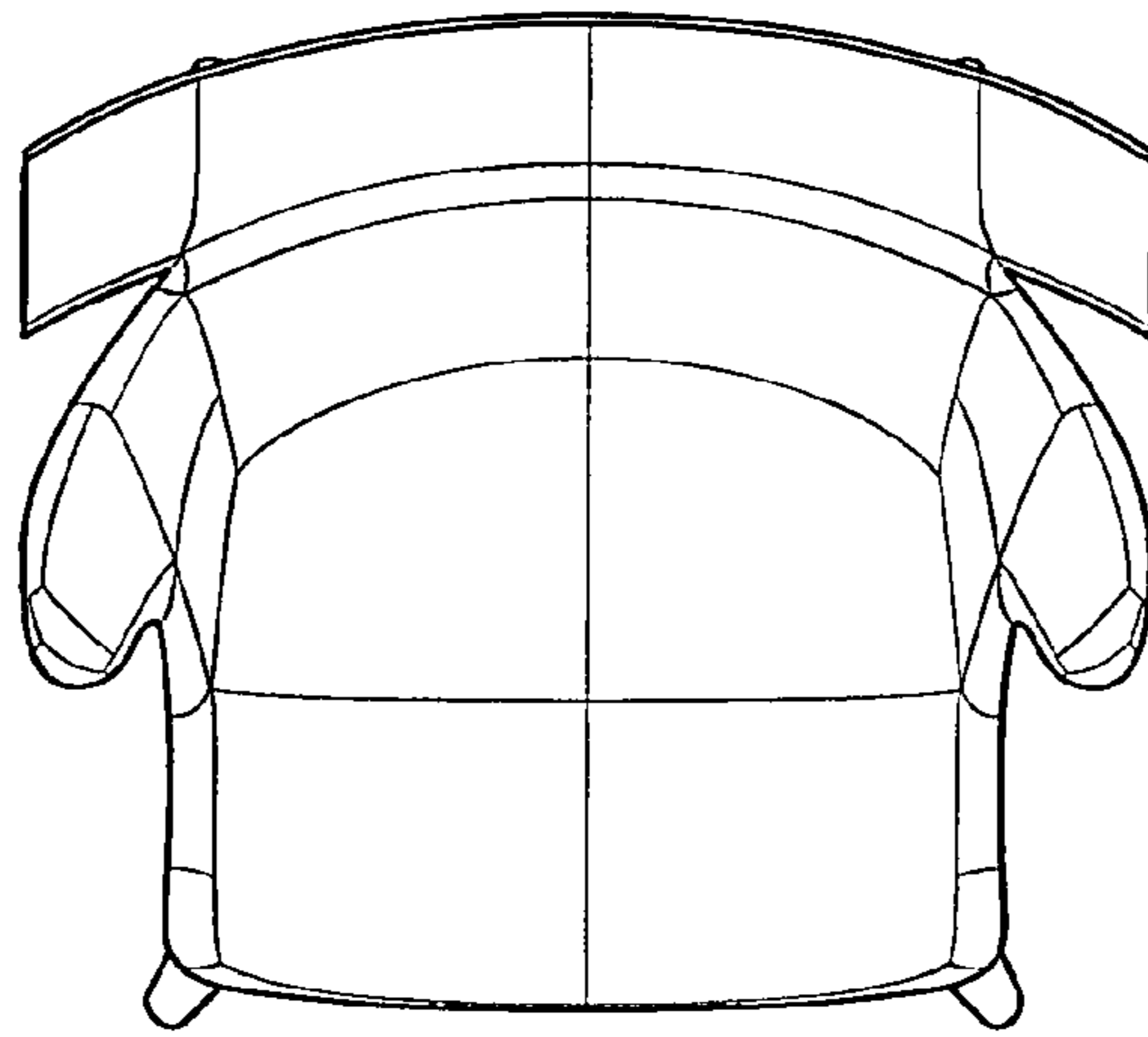


FIG. 7

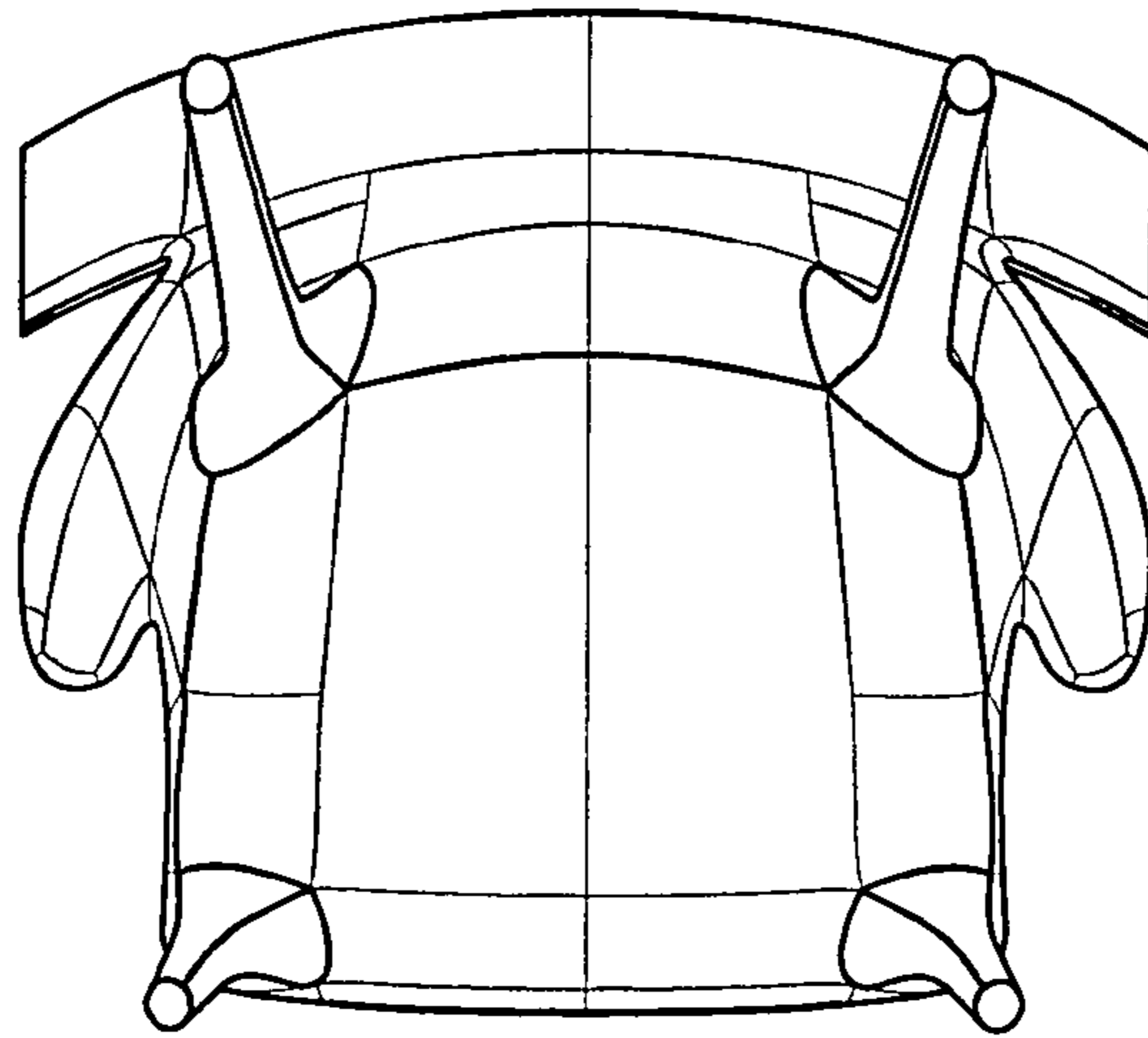


FIG. 8