



US00D709295S

(12) **United States Design Patent**  
**Winebrenner et al.**

(10) **Patent No.:** **US D709,295 S**  
(45) **Date of Patent:** **\*\* Jul. 22, 2014**

(54) **PORTABLE SHOOTING PLATFORM**

(71) Applicant: **Winebrenner Fabrication, LLC**,  
Hastings, MI (US)  
(72) Inventors: **Thomas E. Winebrenner**, Hastings, MI  
(US); **Ryan T. Winebrenner**, Hastings,  
MI (US)

(73) Assignee: **Winebrenner Fabrication, LLC**,  
Hastings, MI (US)

(\*\*) Term: **14 Years**

(21) Appl. No.: **29/441,518**

(22) Filed: **Jan. 7, 2013**

(51) **LOC (10) Cl.** ..... **06-01**

(52) **U.S. Cl.**  
USPC ..... **D6/338**

(58) **Field of Classification Search**  
USPC ..... D6/334-338, 360, 367, 374, 375, 482,  
D6/491, 495, 500-502, 716, 715.1;  
297/83, 157.1, 158.3, 170, 184.16,  
297/188.14, 244, 423.19, 195.1, 217.7,  
297/468; 5/12.1, 12.2

See application file for complete search history.

(56) **References Cited**

**U.S. PATENT DOCUMENTS**

D261,794 S *	11/1981	Bechtel	.....	D22/108
4,535,559 A	8/1985	Hall		
4,563,829 A	1/1986	Bozick		
4,565,403 A	1/1986	Brown		
4,824,086 A	4/1989	Rickling et al.		
5,029,941 A *	7/1991	Twisselmann	.....	297/411.38
5,054,852 A *	10/1991	Tholkes	.....	297/172
5,060,410 A *	10/1991	Mueller	.....	42/94
5,149,900 A *	9/1992	Buck	.....	42/94
5,199,763 A *	4/1993	Wilder et al.	.....	297/338
D341,259 S *	11/1993	Mele	.....	D6/364
D369,691 S *	5/1996	Haynes	.....	D6/367
5,551,748 A	9/1996	McKelvey et al.		

5,628,135 A	5/1997	Cady		
5,715,625 A *	2/1998	West, III	.....	42/94
D425,321 S *	5/2000	Tholkes et al.	.....	D6/338
6,058,641 A	5/2000	Vecqueray		
6,269,578 B1 *	8/2001	Callegari	.....	42/94
6,871,440 B2 *	3/2005	Highfill et al.	.....	42/94
6,895,709 B1 *	5/2005	Krien et al.	.....	42/94
6,935,064 B1 *	8/2005	Thompson	.....	42/94

(Continued)

**OTHER PUBLICATIONS**

Shooting Rest photo-1 dated as early as Sep. 15, 2012.

(Continued)

*Primary Examiner* — Sandra Snapp

(74) *Attorney, Agent, or Firm* — Warner Norcross & Judd  
LLP

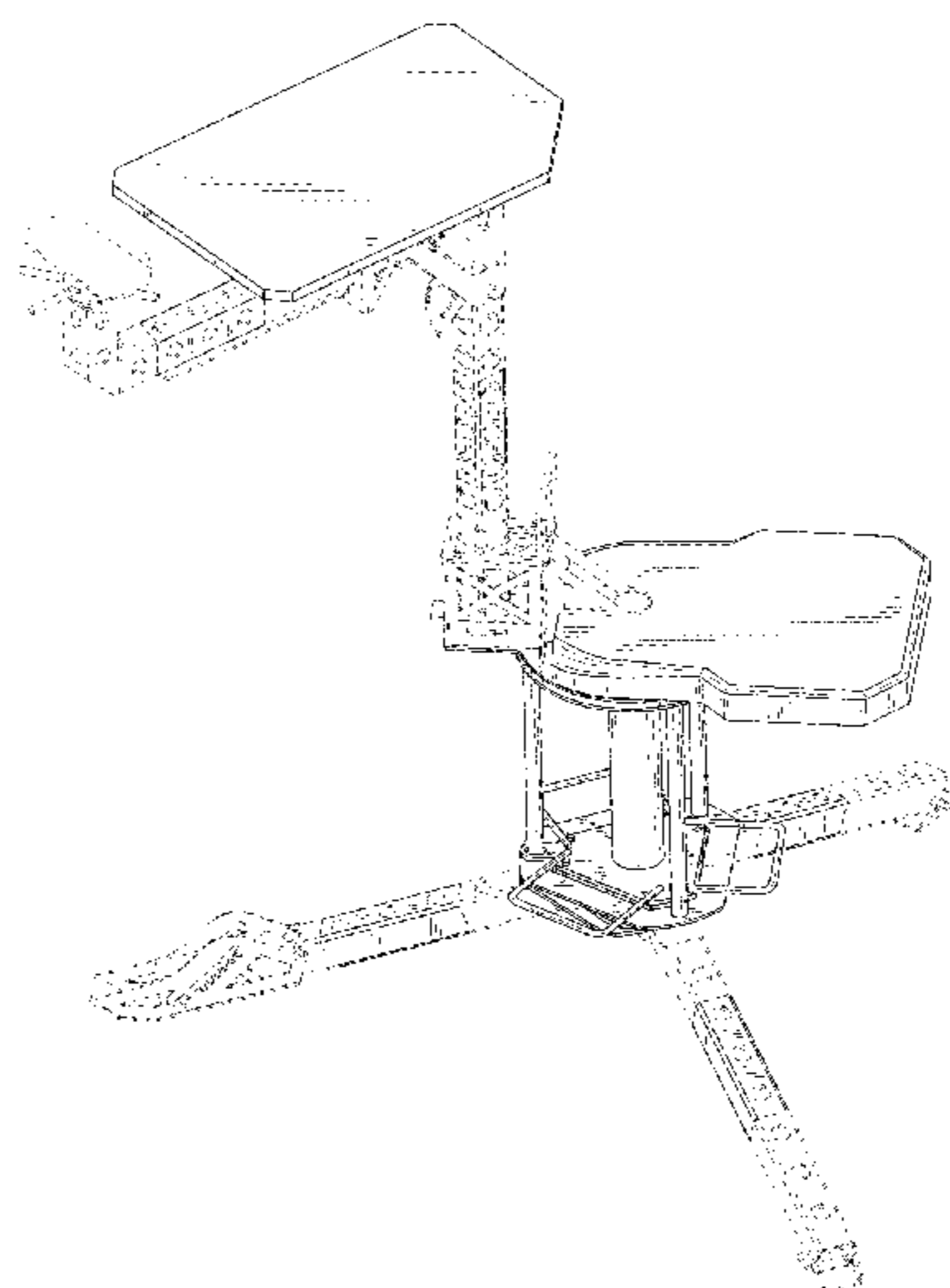
(57) **CLAIM**

The ornamental design for a portable shooting platform, as shown and described.

**DESCRIPTION**

FIG. 1 is a perspective view of the portable shooting platform embodying the new design; FIG. 2 is a front view thereof; FIG. 3 is a rear view thereof; FIG. 4 is a left side view thereof; FIG. 5 is a rear view thereof; FIG. 6 is a top view thereof; and, FIG. 7 is a bottom view thereof. FIGS. 1-7 show portions of the portable shooting platform in broken lines. The broken line portions are shown for environmental purposes and form no part of the claimed design. The broken line segments immediately adjacent the solid line portions of the design define the boundary of the design, but do not themselves form part of the claimed design. The oblique line shaded portions of the portable shooting platform define the claimed region.

**1 Claim, 7 Drawing Sheets**



(56)

**References Cited**

**OTHER PUBLICATIONS**

U.S. PATENT DOCUMENTS

7,152,358 B1 12/2006 LeAnna et al.  
7,168,199 B2 \* 1/2007 Krien et al. .... 42/94  
7,549,247 B1 6/2009 Reese  
D597,324 S \* 8/2009 Sherer ..... D6/335  
D605,862 S \* 12/2009 Weeks ..... D6/338  
D612,641 S \* 3/2010 Smit ..... D6/500  
7,731,278 B1 6/2010 Brownlee  
D628,405 S \* 12/2010 Pippin ..... D6/418  
D666,014 S \* 8/2012 Gruszynski ..... D6/353

Shooting Rest photo-2 dated as early as Sep. 15, 2012.  
Shooting Rest photo-3 dated as early as Sep. 15, 2012.  
Shooting Rest photo-4 dated as early as Sep. 15, 2012.  
Shooting Rest photo-5 dated as early as Sep. 15, 2012.  
Shooting Rest photo-6 dated as early as Sep. 15, 2012.  
Shooting Rest photo-7 dated as early as Sep. 15, 2012.  
Shooting Rest photo-8 dated as early as Sep. 15, 2012.  
Shooting Rest photo-9 dated as early as Sep. 15, 2012.  
Shooting Rest photo-10 dated as early as Sep. 15, 2012.

\* cited by examiner

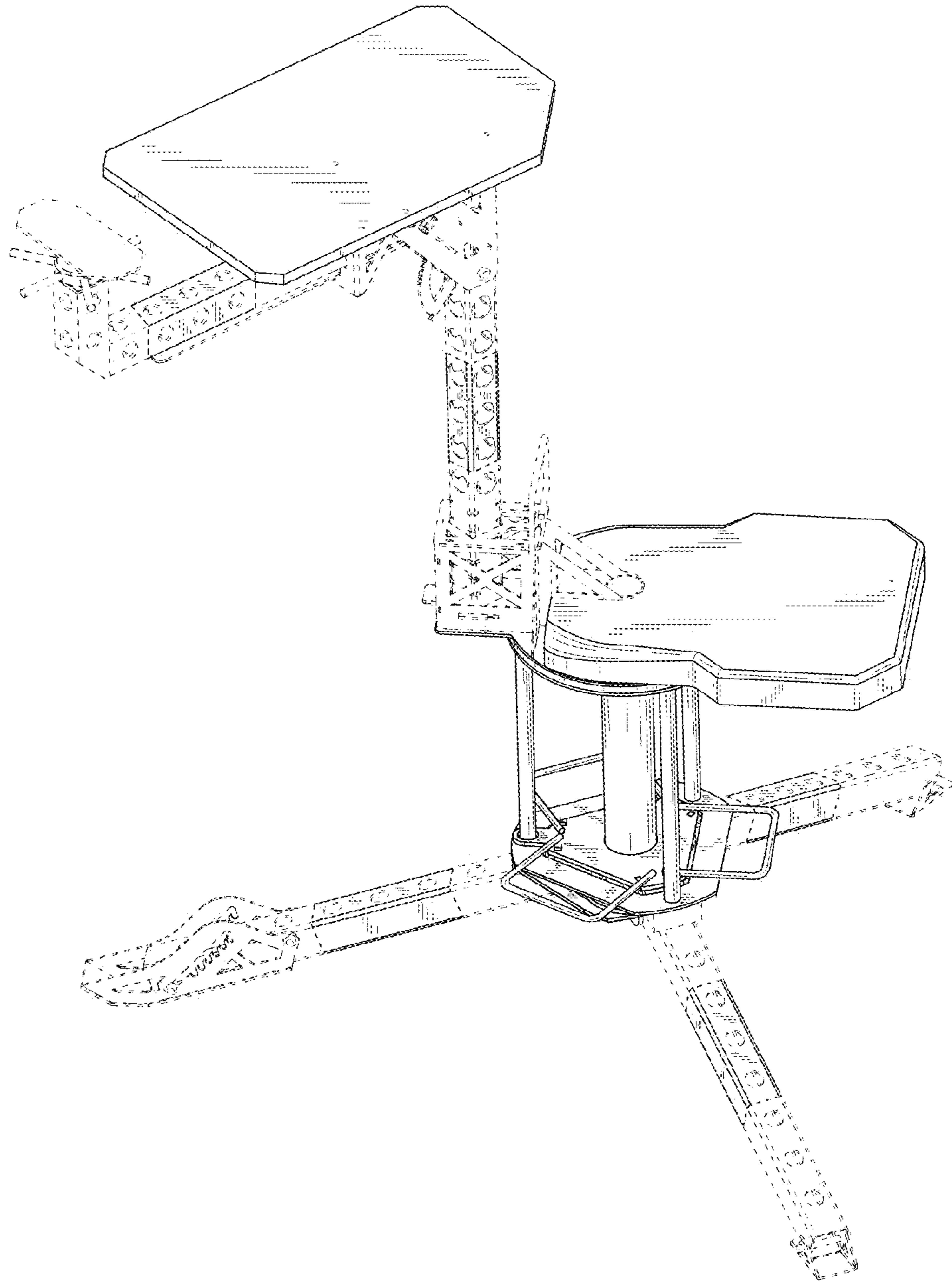


FIG. 1

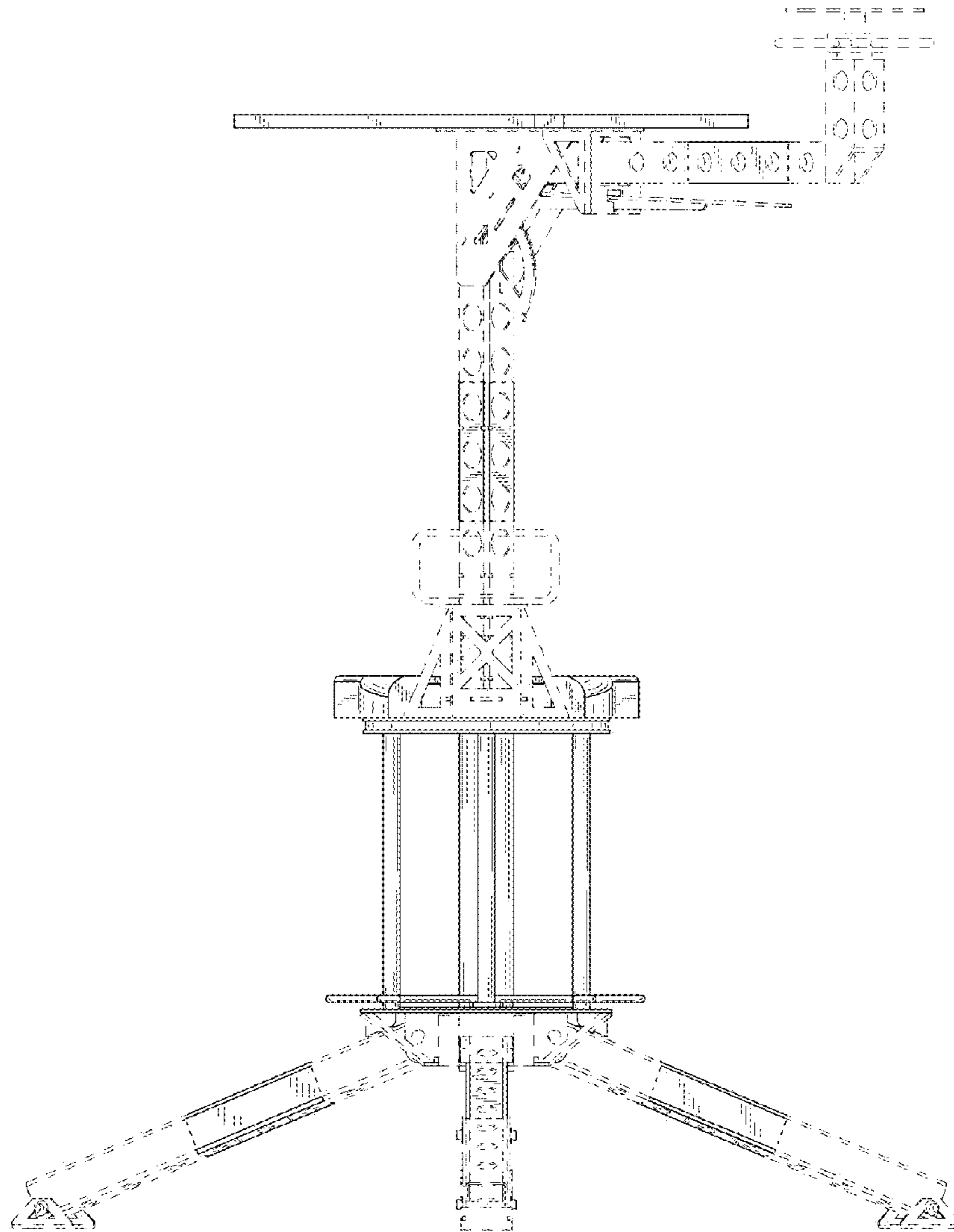
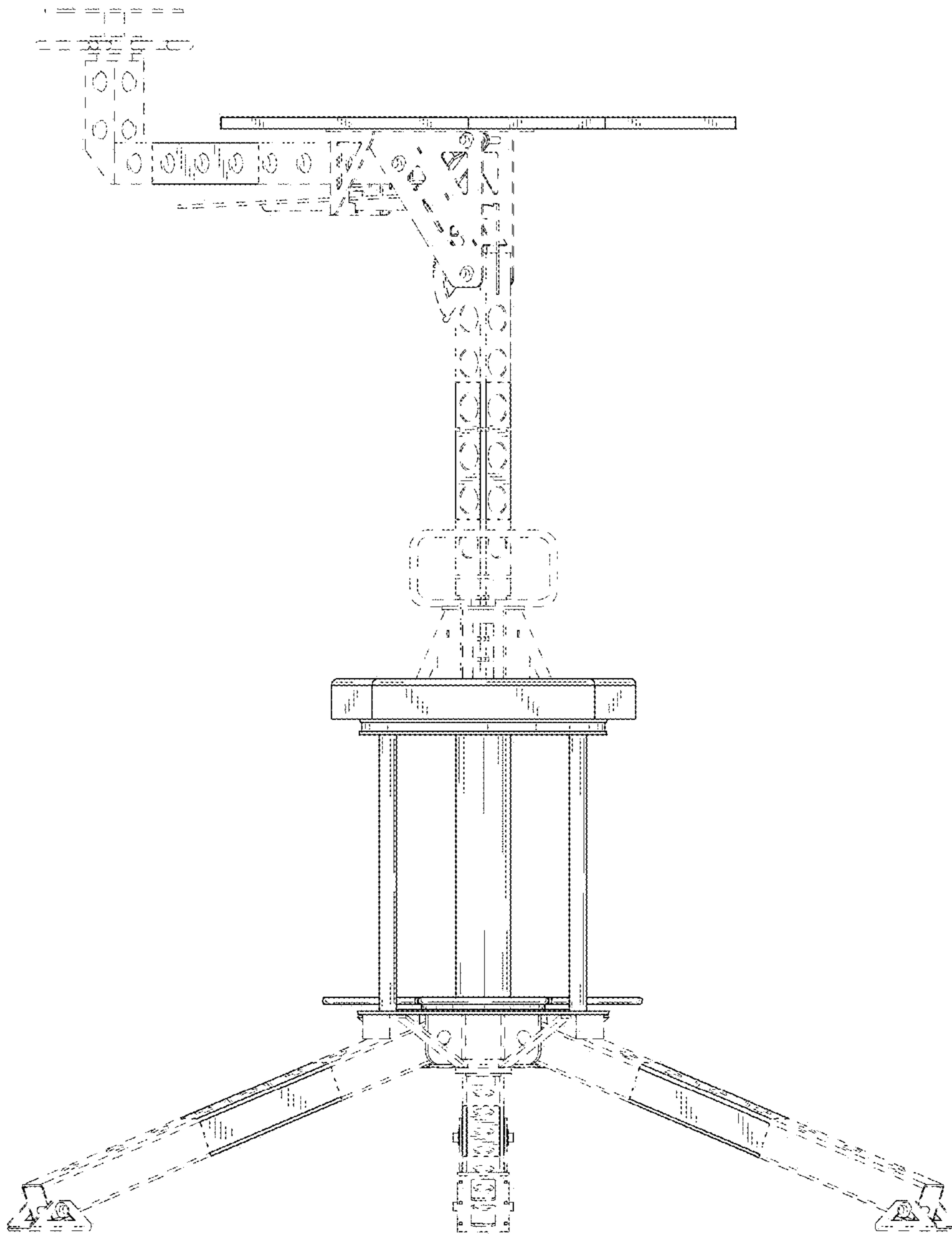


FIG. 2



**FIG. 3**

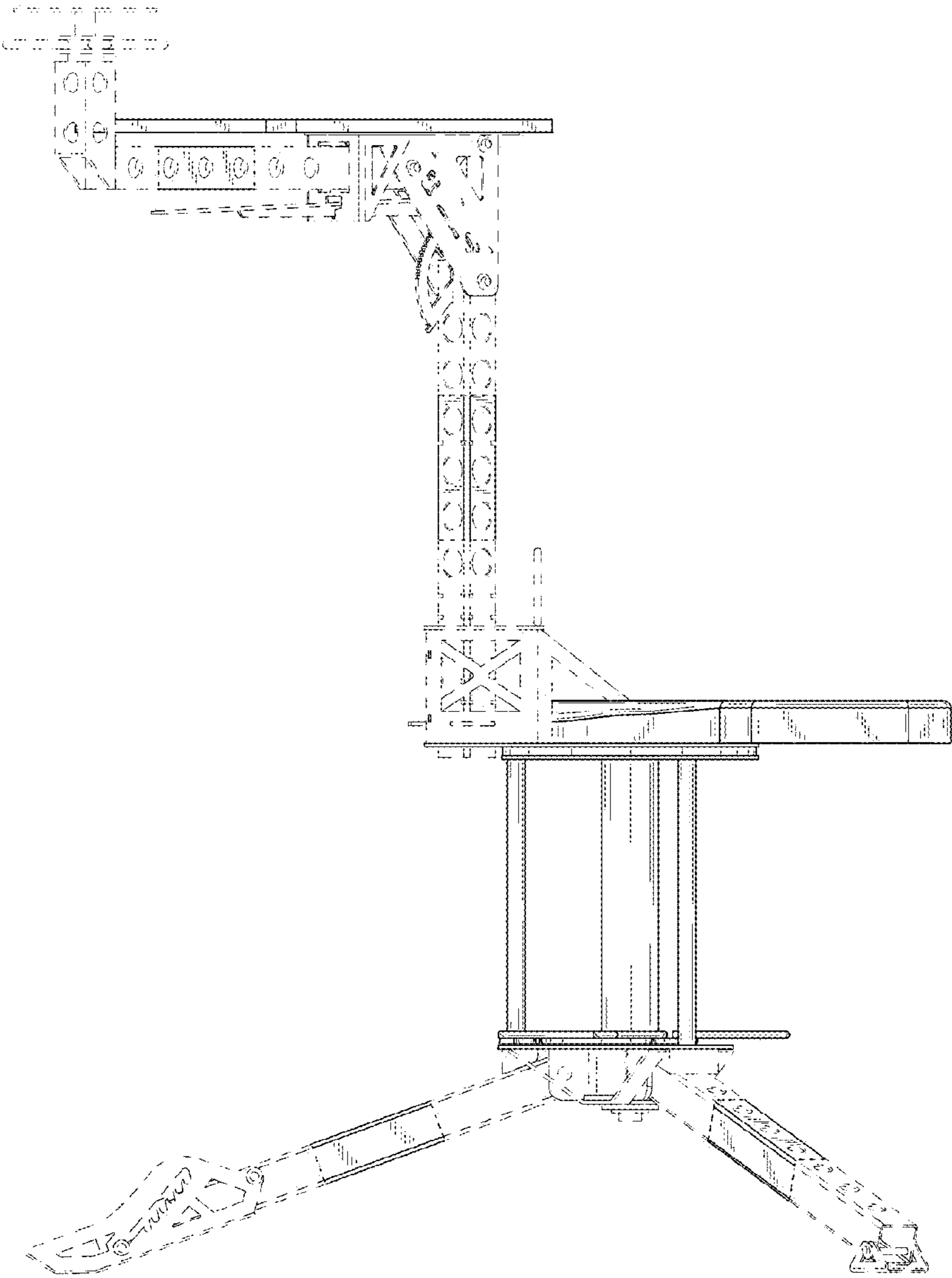


FIG. 4

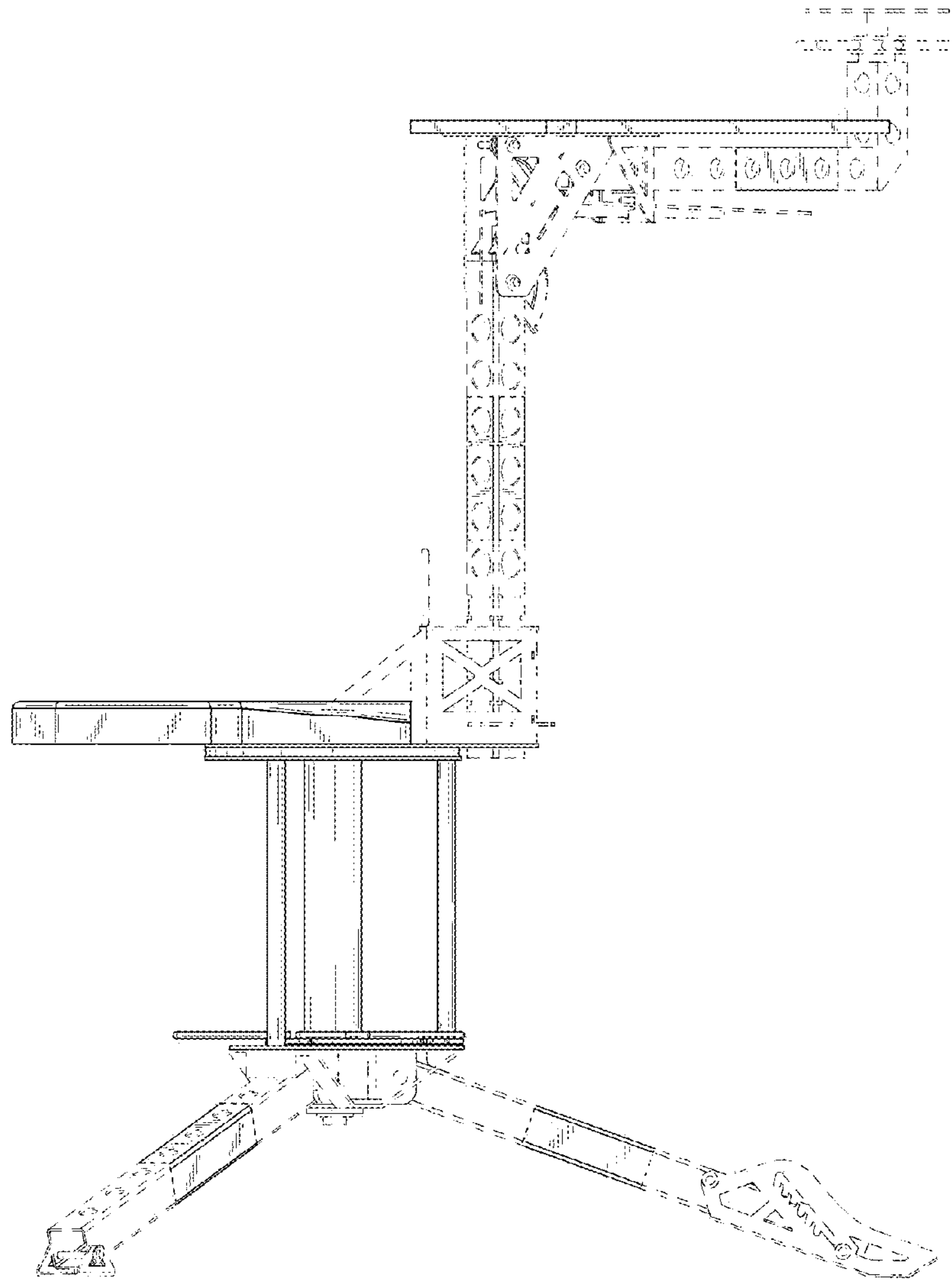


FIG. 5

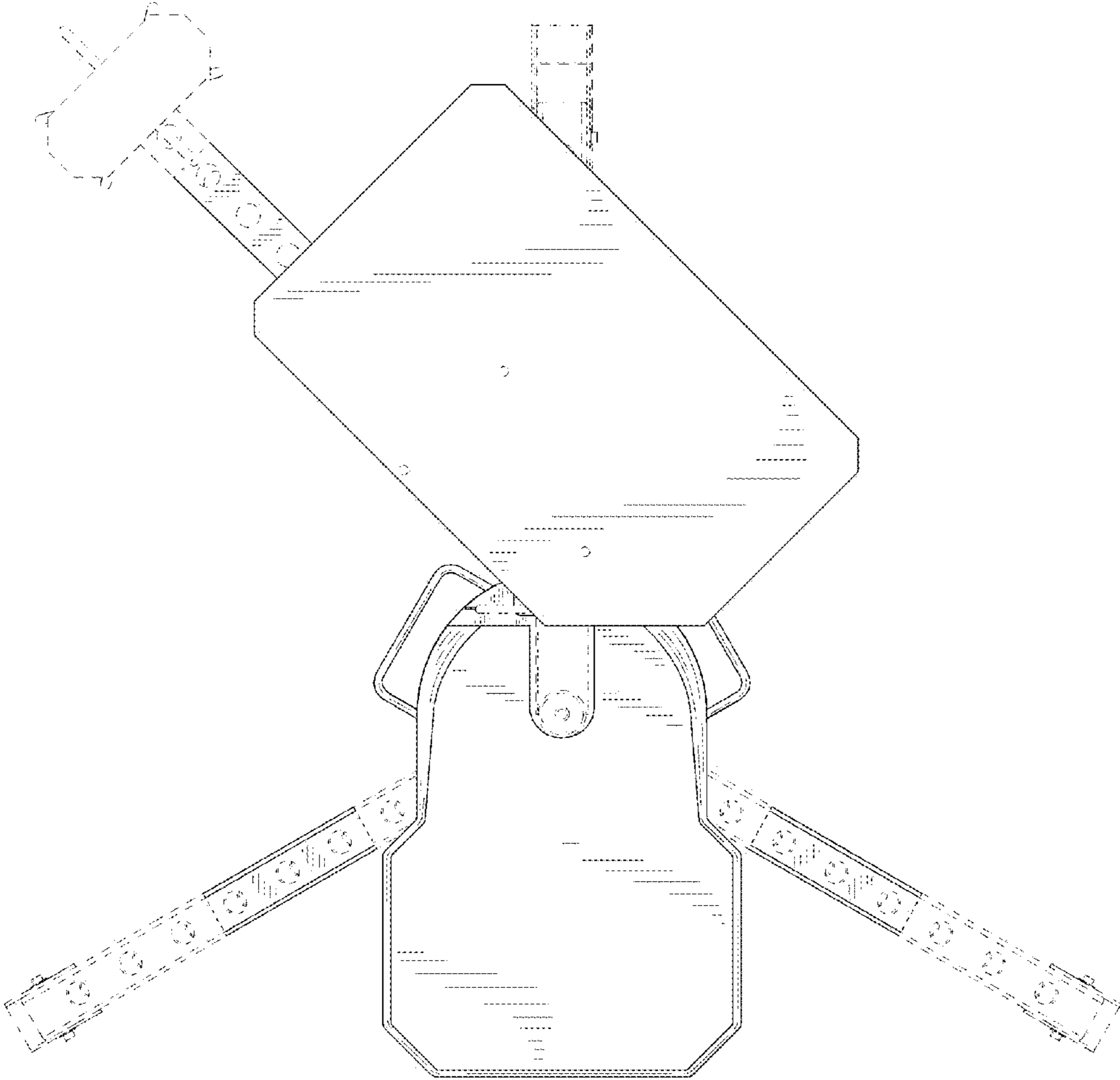


FIG. 6



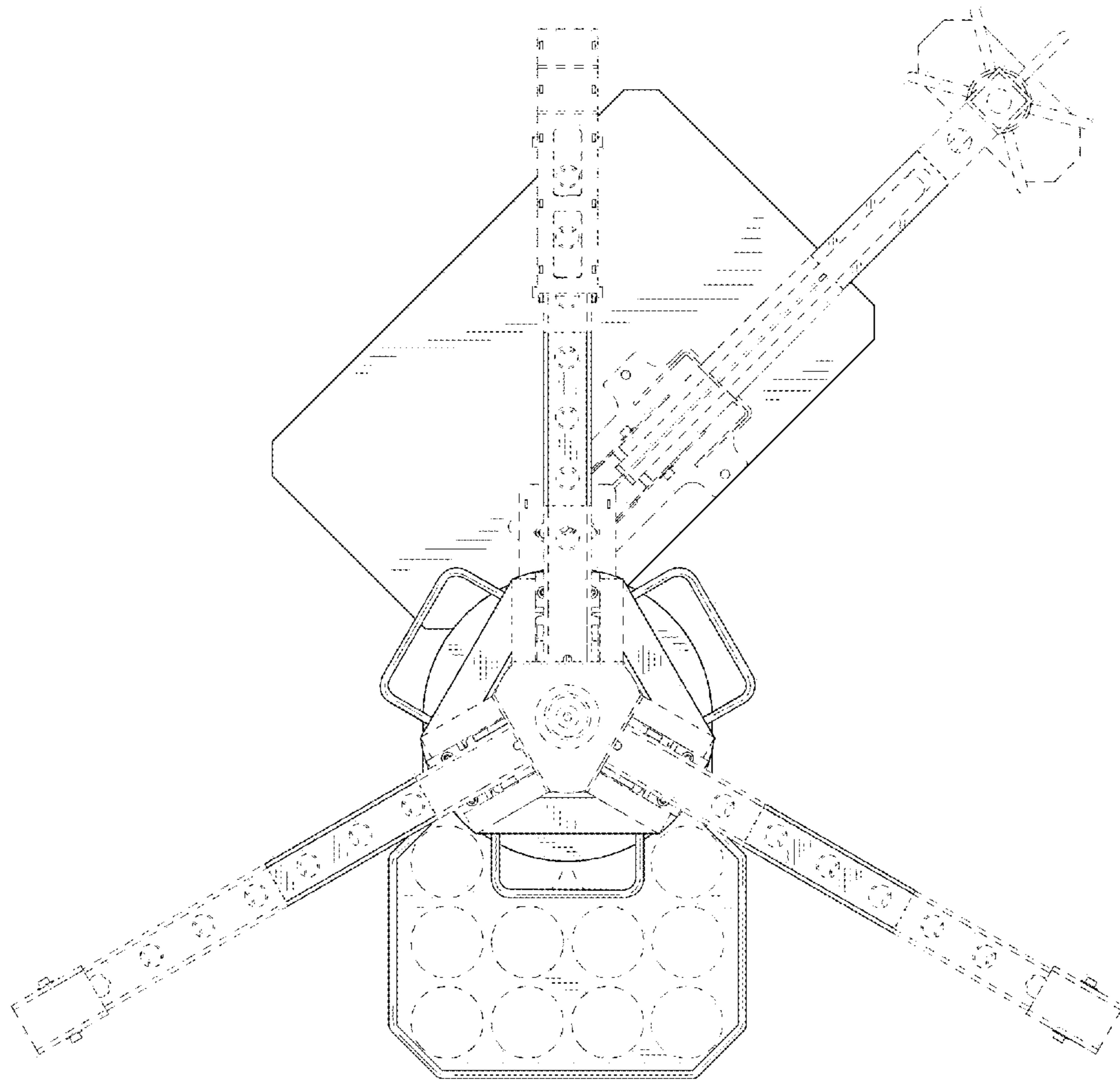


FIG. 7