



US00D709294S

(12) **United States Design Patent**
Ruhter et al.

(10) **Patent No.:** **US D709,294 S**

(45) **Date of Patent:** **** *Jul. 22, 2014**

(54) **GRADER SEAT WITH CONTROLS**

(56)

References Cited

(75) Inventors: **Martin Lavern Ruhter**, Dubuque, IA
(US); **Michael Eugene Kennedy**,
Dubuque, IA (US)

(73) Assignee: **Deere & Company**, Moline, IL (US)

(*) Notice: This patent is subject to a terminal disclaimer.

(**) Term: **14 Years**

(21) Appl. No.: **29/377,448**

(22) Filed: **Oct. 21, 2010**

(51) **LOC (10) Cl.** **06-01**

(52) **U.S. Cl.**
USPC **D6/335**

(58) **Field of Classification Search**
USPC D6/335, 336, 364, 380, 500-502, 356;
D15/23; D12/317, 400, 415, 416

See application file for complete search history.

U.S. PATENT DOCUMENTS

D183,149 S *	7/1958	Simons	D6/356
2,890,674 A *	6/1959	Rose	440/52
D257,748 S *	1/1981	Smith	D6/356
D264,774 S *	6/1982	McGirk et al.	D6/356
6,106,342 A *	8/2000	Kameoka	440/53
D479,382 S *	9/2003	Yeager	D99/30
D497,274 S *	10/2004	Hogle et al.	D6/500

* cited by examiner

Primary Examiner — Sandra Snapp

(57)

CLAIM

An ornamental design for a grader seat with controls, as shown and described.

DESCRIPTION

FIG. 1 is a perspective front view of an embodiment of a grader seat with controls;
FIG. 2 is a first side view thereof;
FIG. 3 is a second side view thereof;
FIG. 4 is a front view thereof;
FIG. 5 is a rear view thereof;
FIG. 6 is a top view thereof; and,
FIG. 7 is a bottom view thereof.

The broken lines showing hardware for the seat are for illustrative purposes only and form no part of the claimed design.

1 Claim, 7 Drawing Sheets

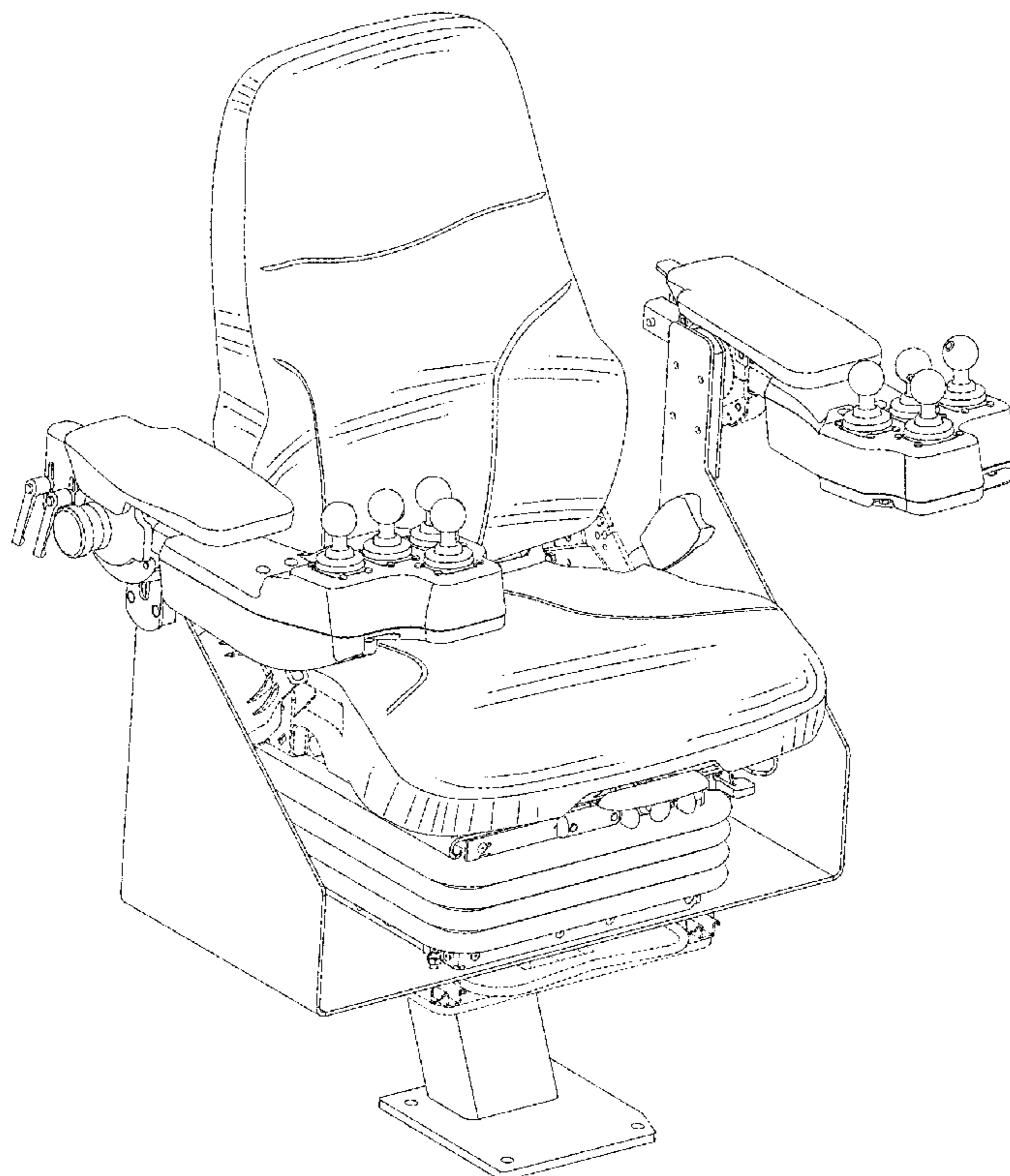
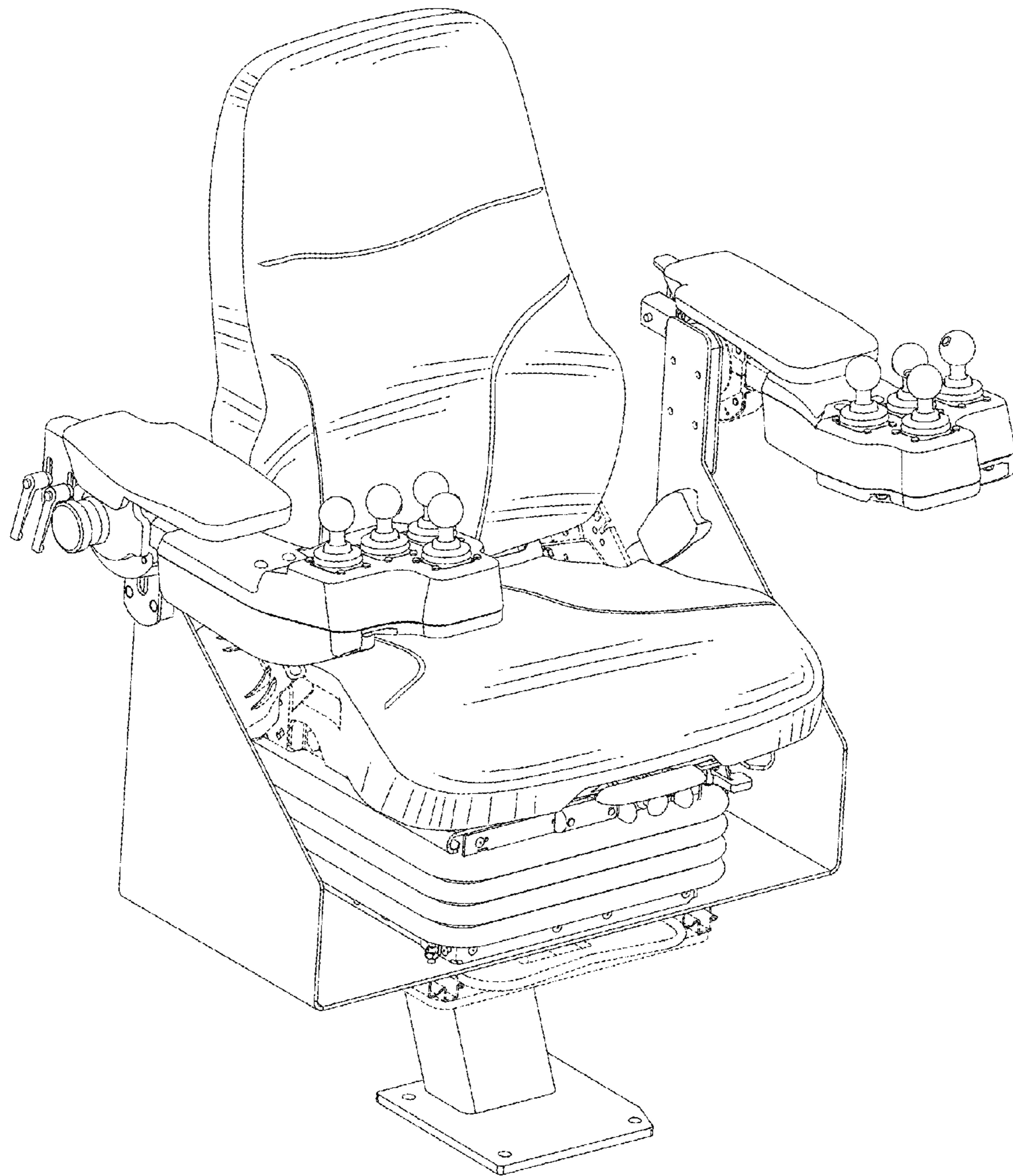


Fig. 1



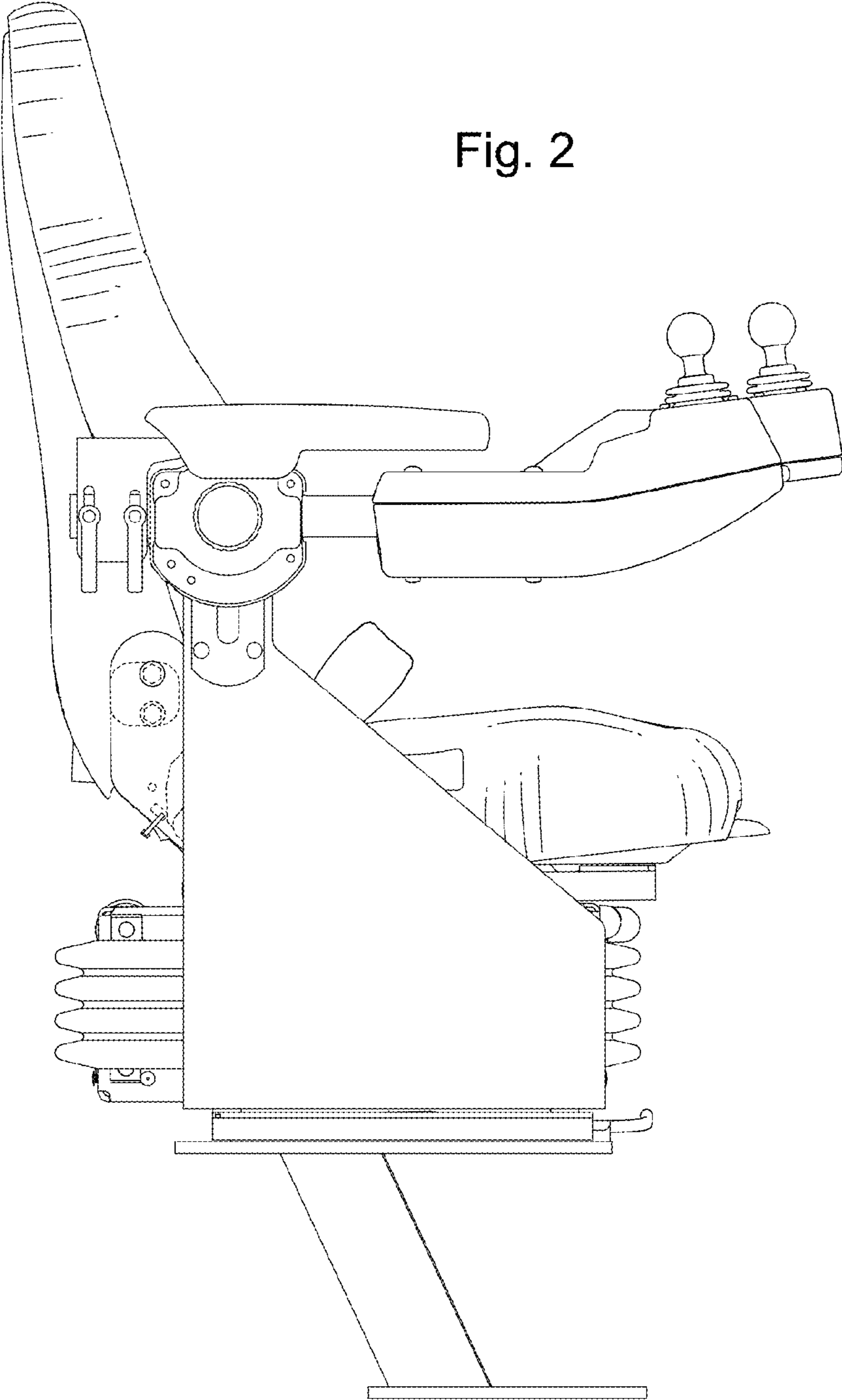
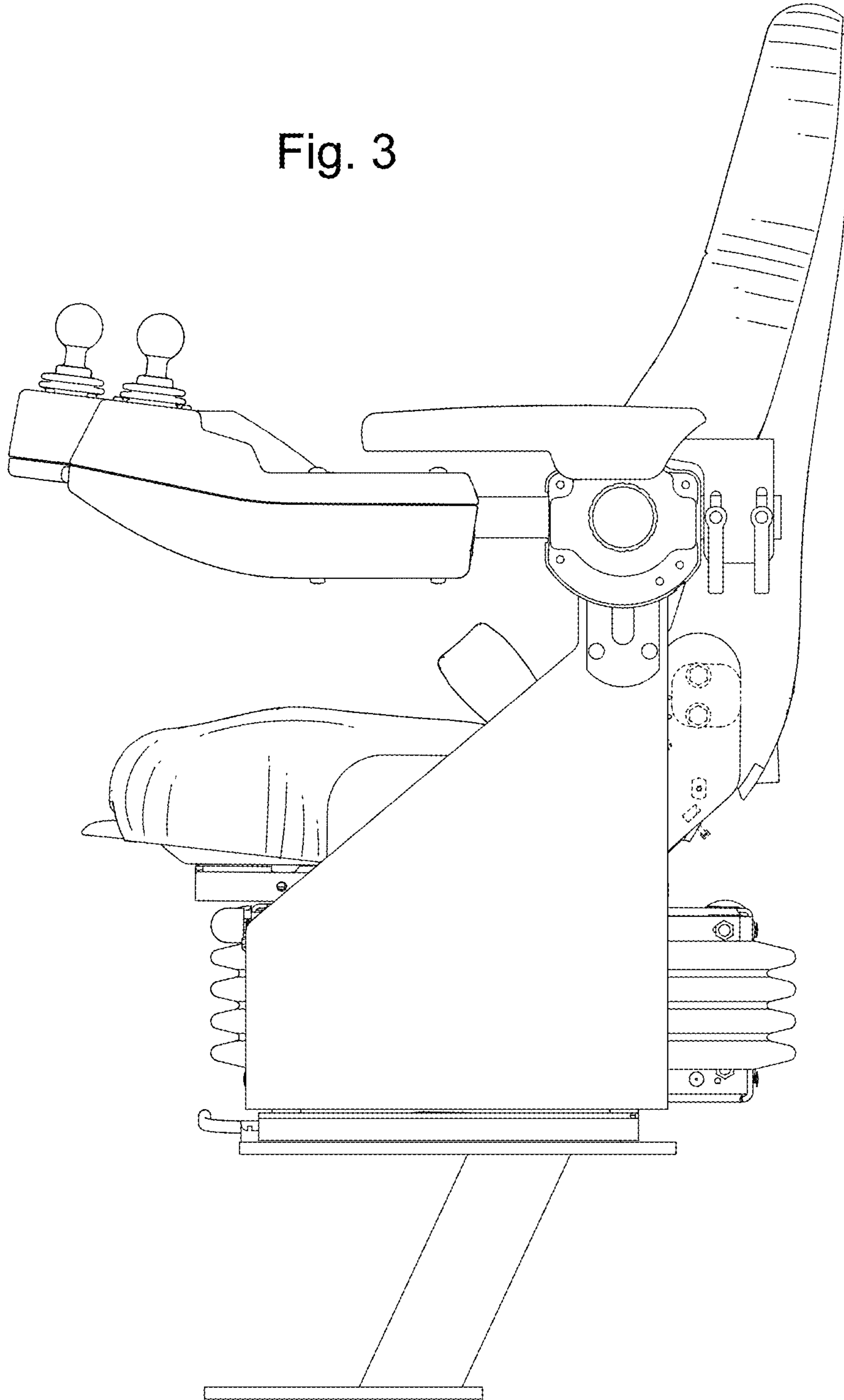


Fig. 2

Fig. 3



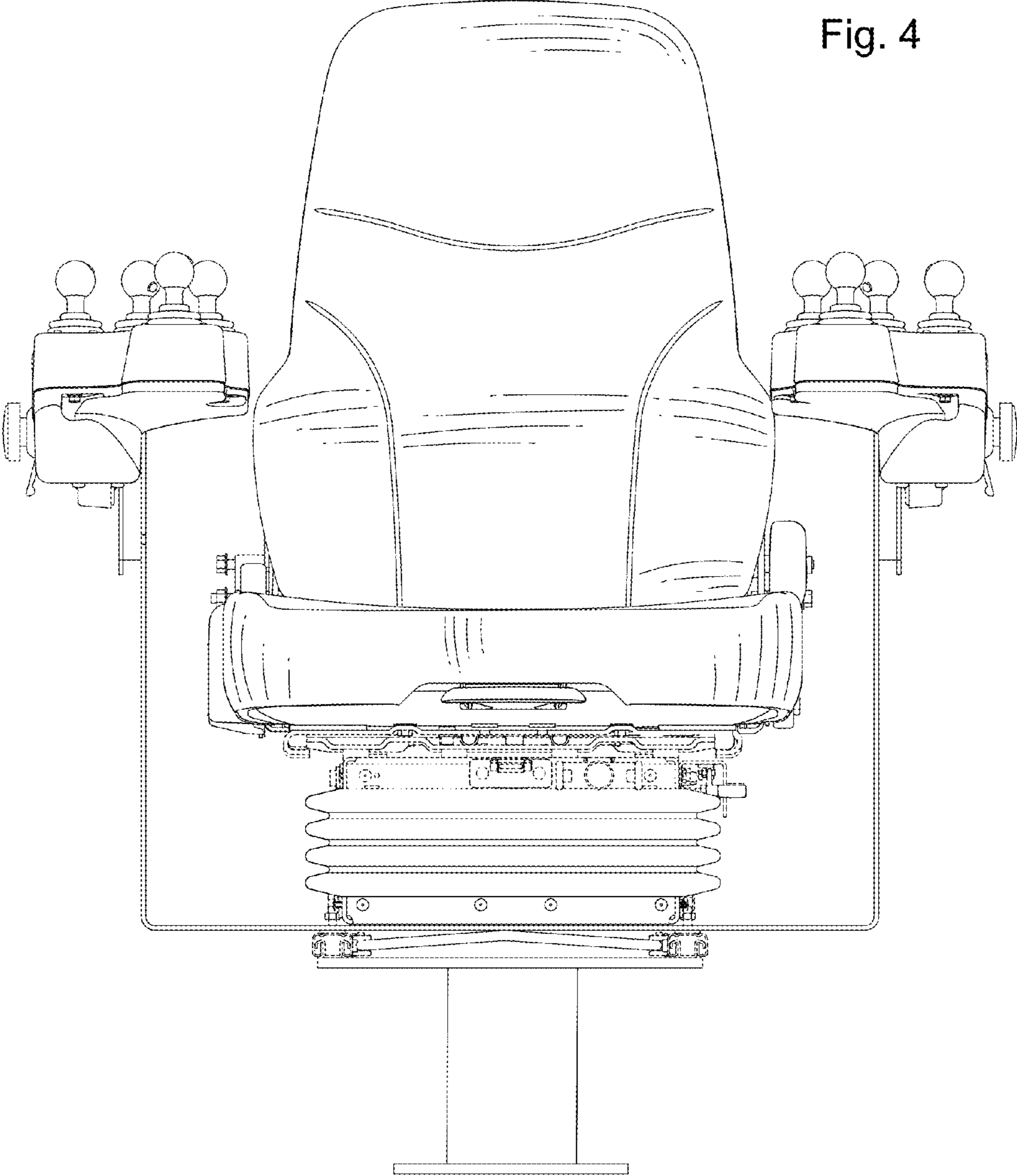


Fig. 4

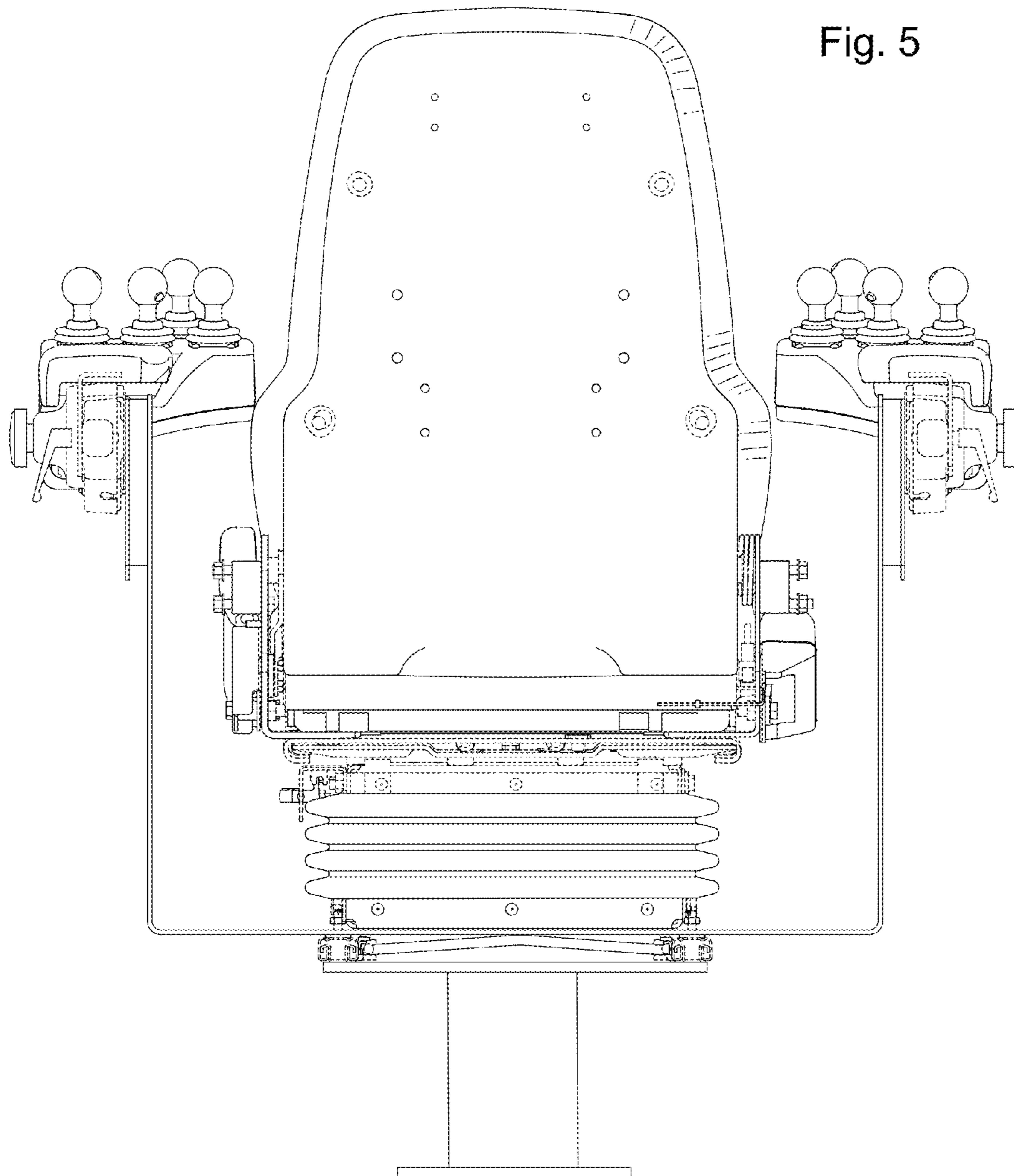


Fig. 6

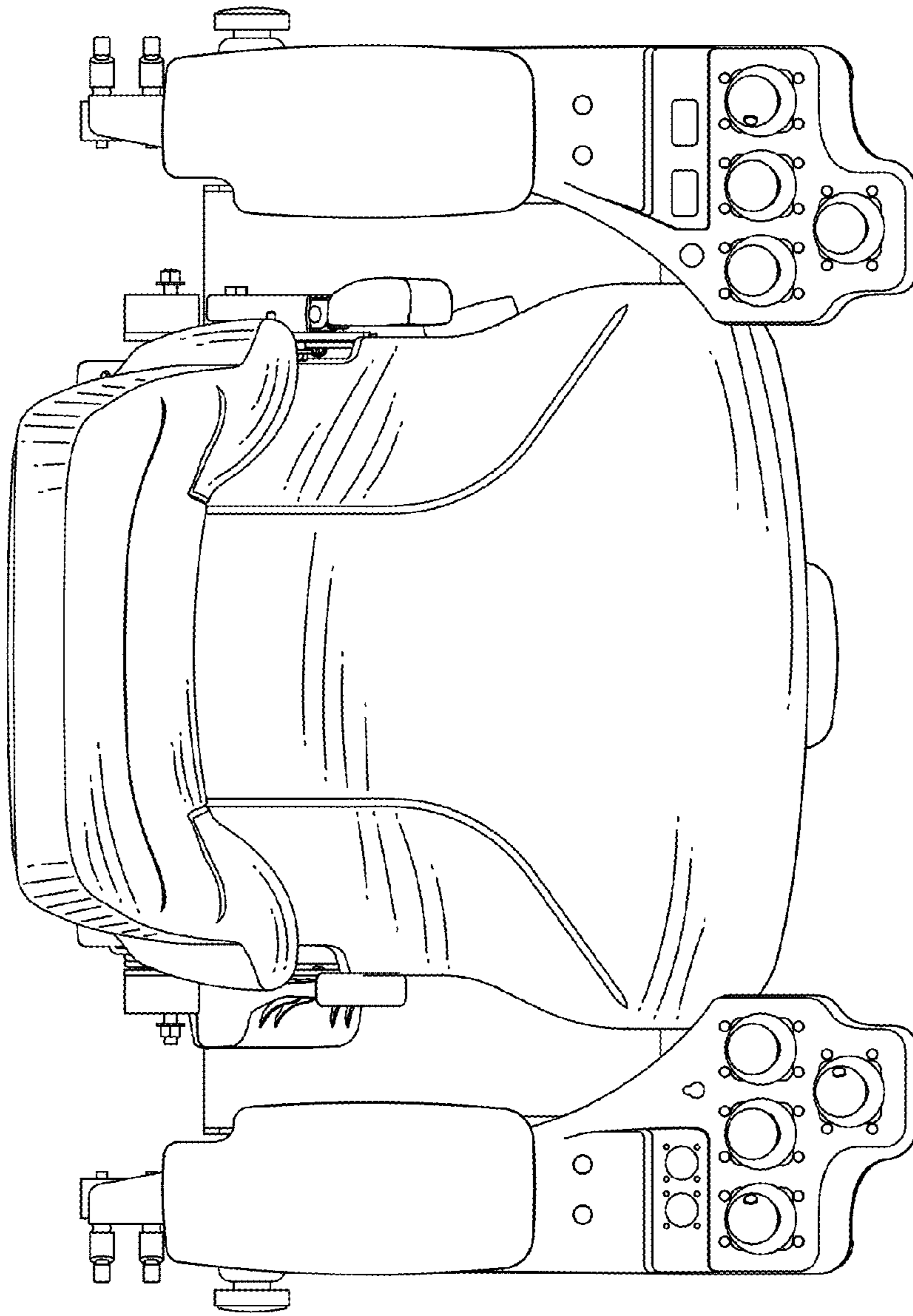


Fig. 7

