



US00D709293S

(12) **United States Design Patent**
Collings

(10) **Patent No.:** **US D709,293 S**
(45) **Date of Patent:** **** Jul. 22, 2014**

(54) **SHOE HANGER**
(71) Applicant: **Phineas Products Ltd.**, Bristol (GB)
(72) Inventor: **Richard Paul Collings**, Bristol (GB)
(73) Assignee: **Phineas Products Ltd**, Bedminster,
Bristol (GB)

5,931,314 A 8/1999 Jackstat et al.
D413,464 S * 9/1999 Richter D6/513
D432,584 S 10/2000 Wakatake et al.
D438,022 S 2/2001 Bunn
D439,751 S * 4/2001 Gouldson D6/326
6,402,105 B1 6/2002 Hoyt et al.
7,219,821 B2 5/2007 Weal et al.
D553,864 S 10/2007 Weal et al.
D631,671 S 2/2011 Segasby

(Continued)

(**) Term: **14 Years**

FOREIGN PATENT DOCUMENTS

(21) Appl. No.: **29/461,748**

FR 2690324 A1 10/1993
FR 2722964 A1 2/1996
GB 2343374 A 5/2000
GB 2409807 A 7/2005

(22) Filed: **Jul. 26, 2013**

(51) **LOC (10) Cl.** **06-08**

(52) **U.S. Cl.**
USPC **D6/323**

OTHER PUBLICATIONS

(58) **Field of Classification Search**
CPC A47G 25/005; A47G 25/28; A47G 25/34;
A47G 25/36; A47G 25/38; A47G 25/743;
A47G 25/1407; A47F 5/0006; A47F 7/19
USPC D6/315-328; 223/85-98; 211/10, 13.1,
211/85.2, 86.01, 87.01, 113
See application file for complete search history.

Design U.S. Appl. No. 29/431,329, filed Sep. 6, 2012.
Design U.S. Appl. No. 29/451,162, filed Mar. 28, 2013.

(Continued)

Primary Examiner — Derrick Holland
Assistant Examiner — Lauren Calve
(74) *Attorney, Agent, or Firm* — King & Schickli, PLLC

(56) **References Cited**

(57) **CLAIM**

U.S. PATENT DOCUMENTS

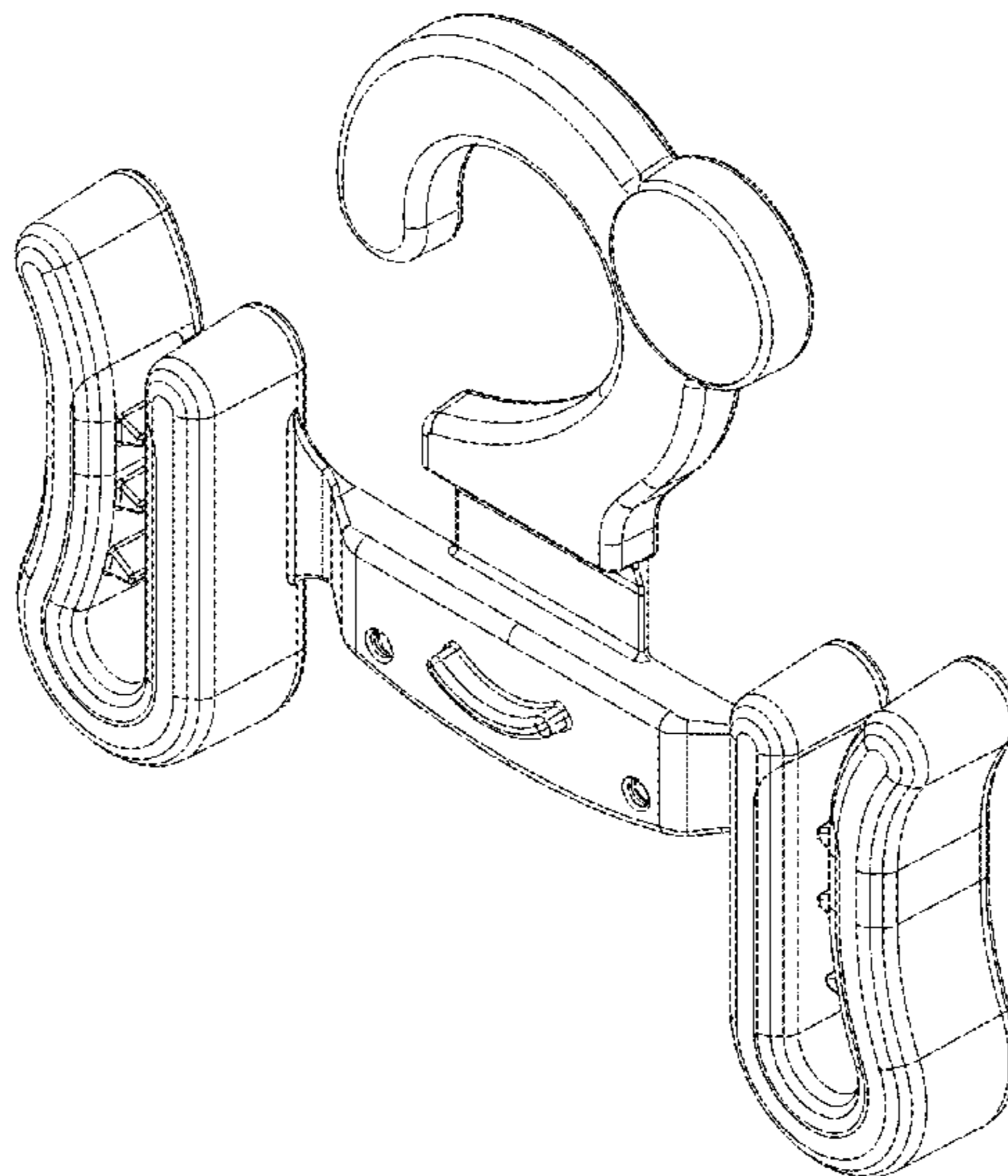
The ornamental design for a shoe hanger, as shown and described.

834,188 A 10/1906 Carr
3,463,369 A * 8/1969 Moskowitz 223/91
D226,752 S 4/1973 Naoyuki
D229,001 S 11/1973 Wahl
D246,083 S 10/1977 Auersperg
D251,891 S 5/1979 Solomon
D296,046 S 6/1988 Marshall
4,823,962 A 4/1989 Arias
4,978,043 A 12/1990 Uke
D323,072 S 1/1992 Anderson et al.
D324,781 S 3/1992 Uke
D342,612 S 12/1993 McIntyre
5,282,553 A 2/1994 Ibled
D412,113 S 7/1999 Josephs

DESCRIPTION

FIG. 1 is a perspective view of a shoe hanger;
FIG. 2 is a front view thereof;
FIG. 3 is a rear perspective thereof;
FIG. 4 is a rear view thereof; and,
FIG. 5 is a right side view thereof.
The broken lines shown in FIGS. 3 and 4 represent unclaimed
subject matter and form no part of the claimed design.

1 Claim, 5 Drawing Sheets



(56)

References Cited

OTHER PUBLICATIONS

U.S. PATENT DOCUMENTS

7,997,464 B2 8/2011 Weal et al.
D689,702 S * 9/2013 Levin et al. D6/323
2007/0251894 A1 11/2007 Kelley
2009/0057351 A1* 3/2009 Nguyen 223/96
2011/0247185 A1 10/2011 Bolden et al.

Design U.S. Appl. No. 13/768,701, filed Feb. 15, 2013.
Design U.S. Appl. No. 29/443,717, filed Jan. 22, 2013.
Design U.S. Appl. No. 29/451,168, filed Mar. 28, 2013.

* cited by examiner

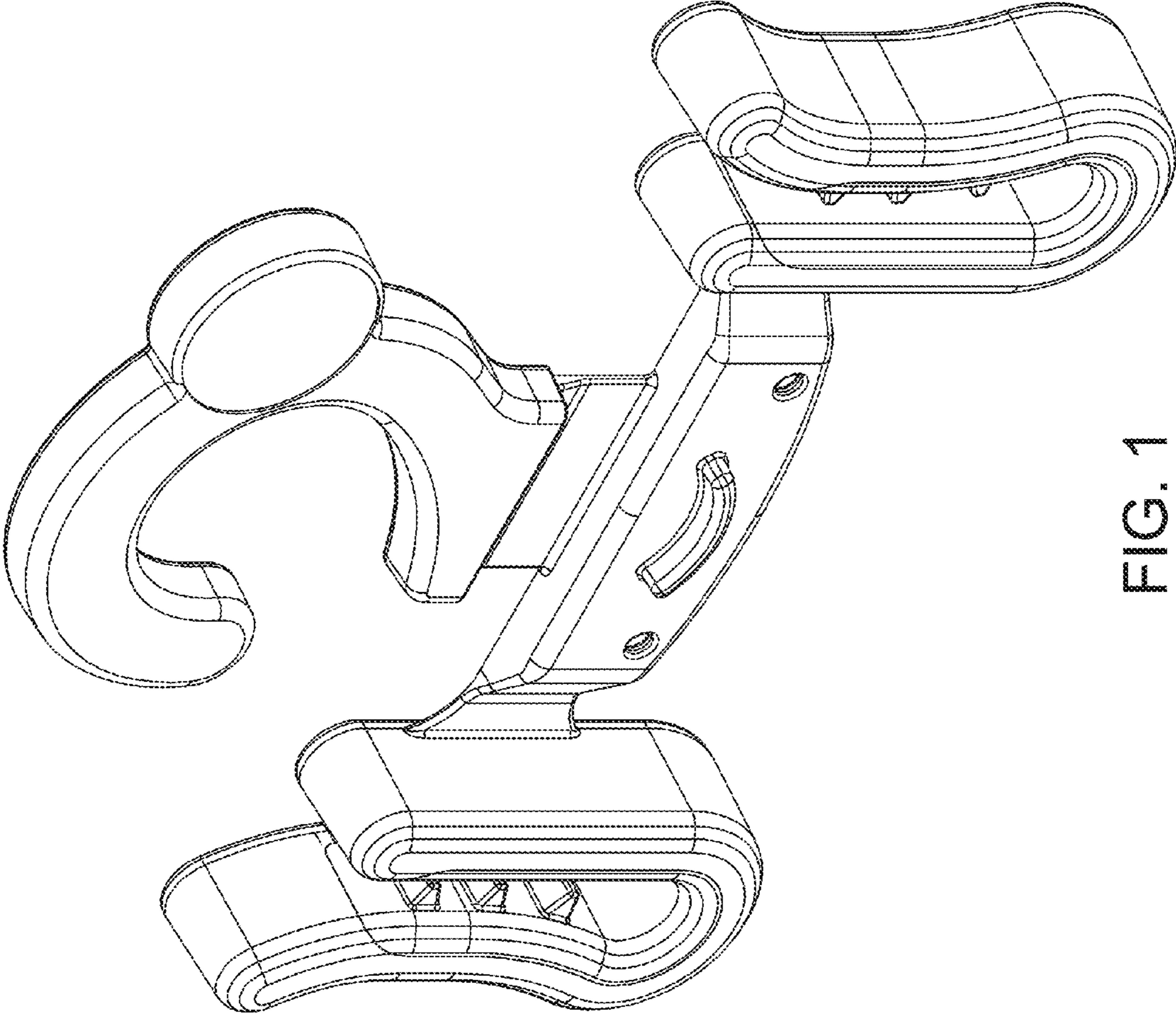


FIG. 1

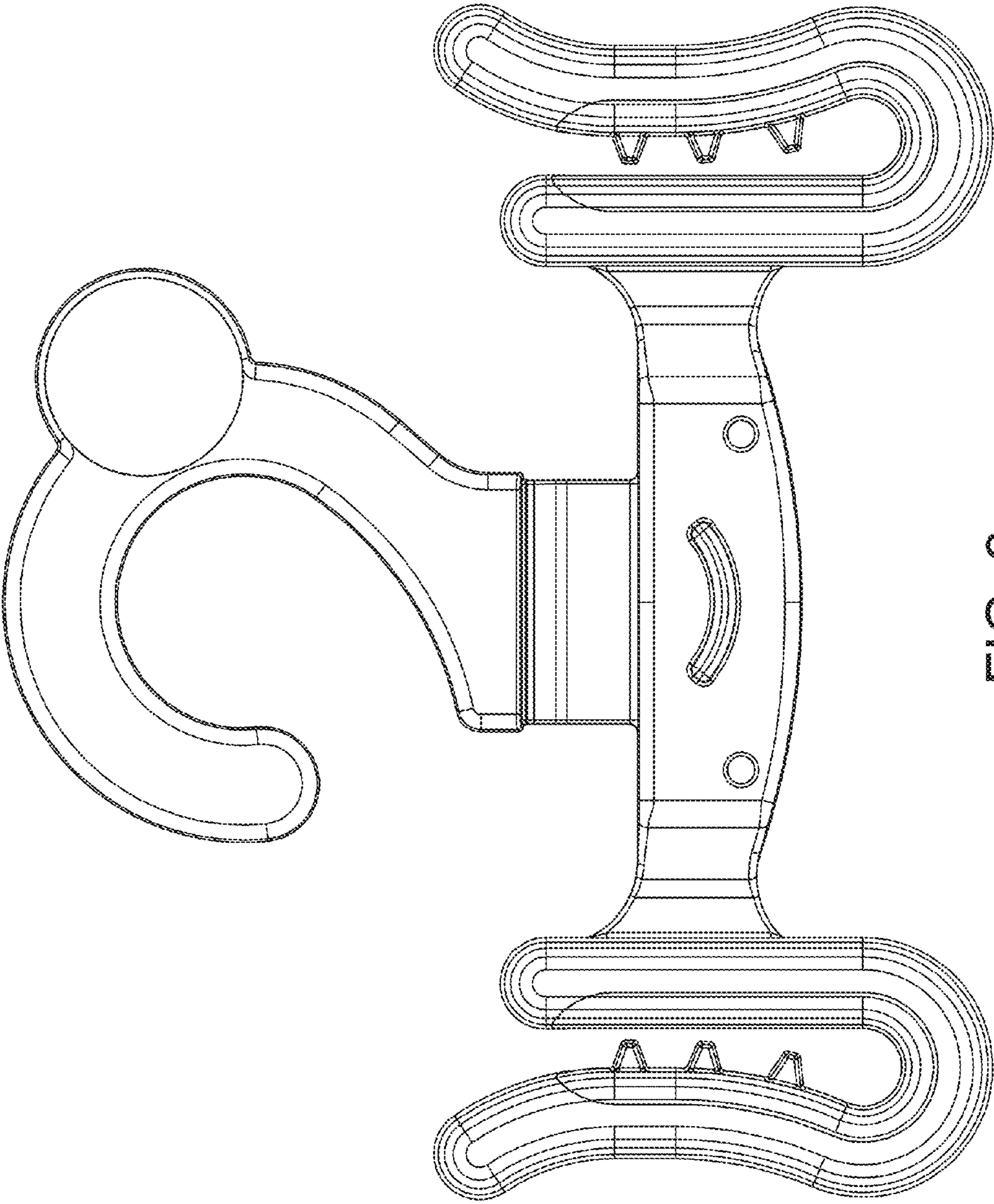


FIG. 2

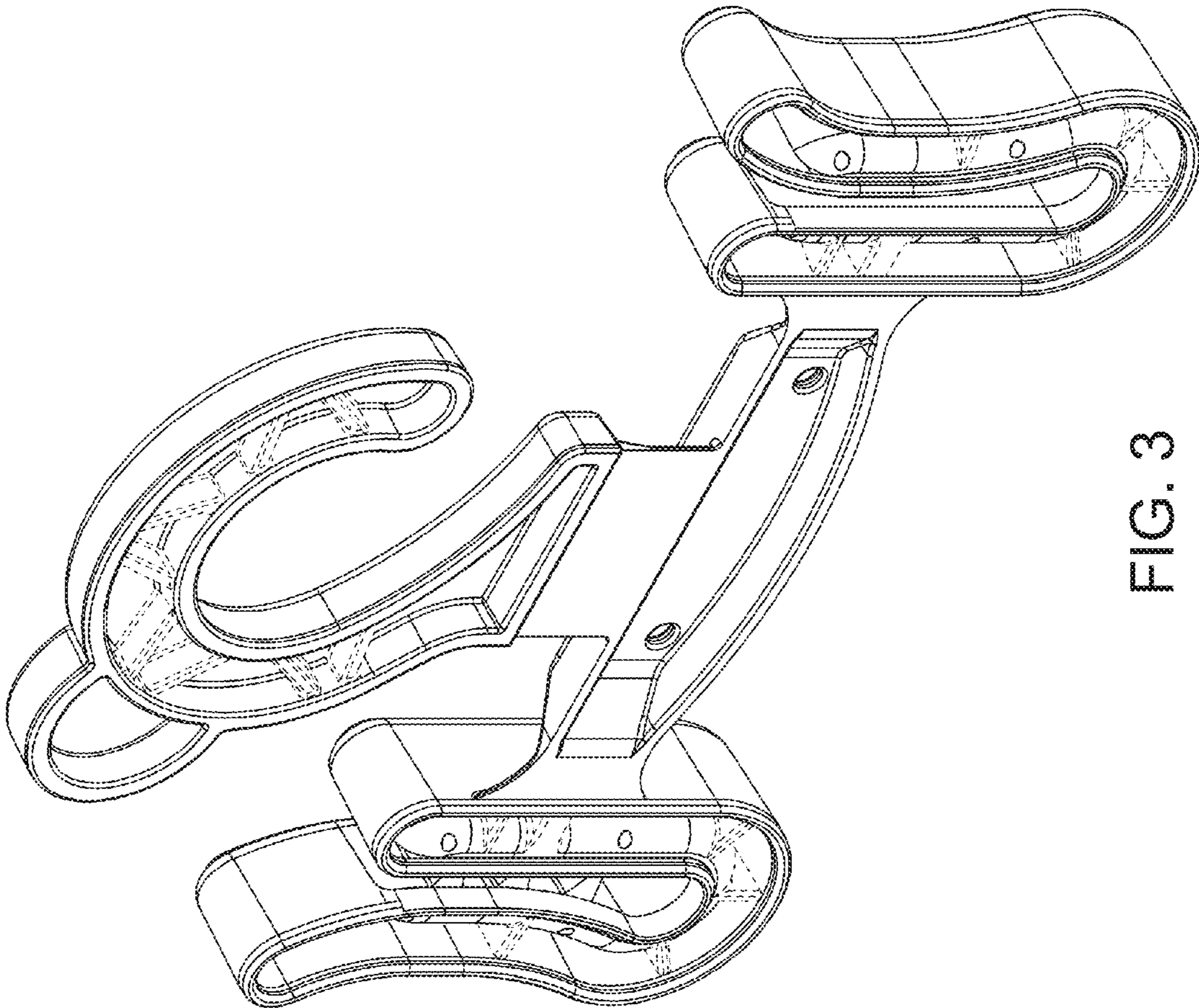


FIG. 3

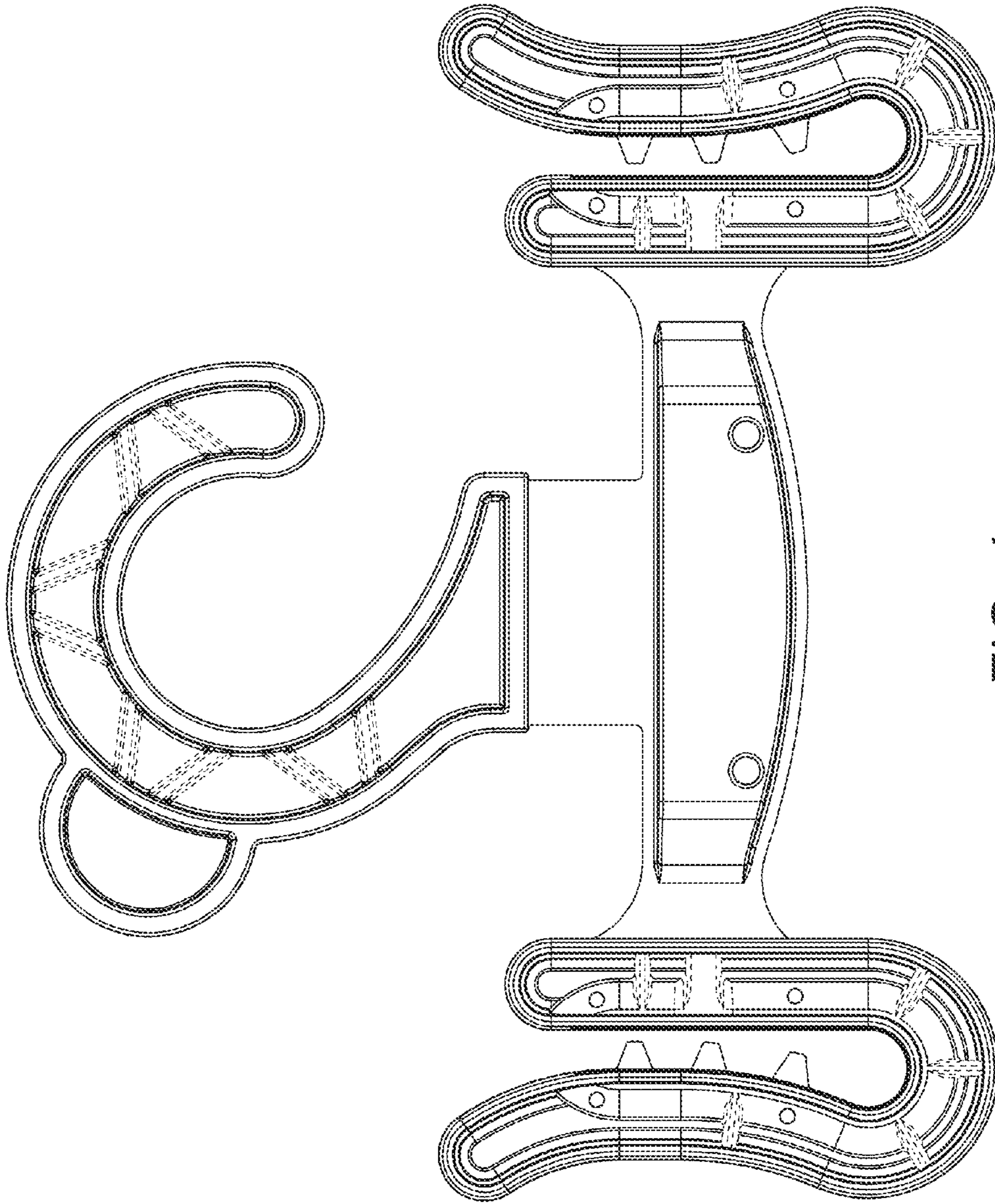


FIG. 4

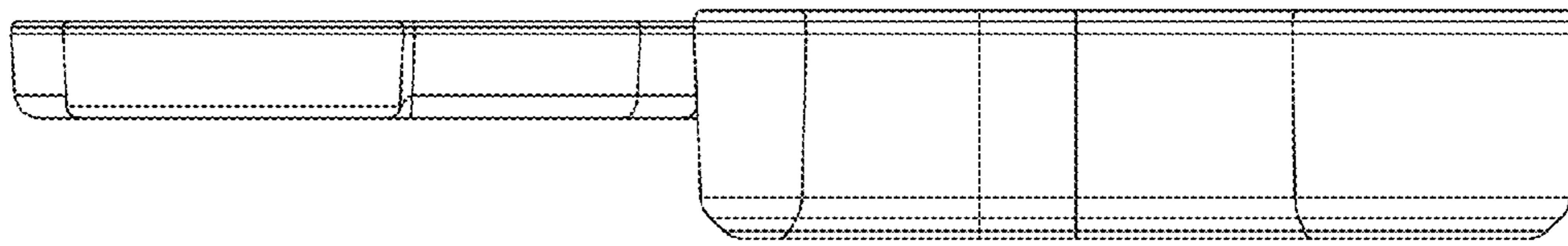


FIG. 5