



US00D709291S

(12) **United States Design Patent**  
**Brown**

(10) **Patent No.:** **US D709,291 S**  
(45) **Date of Patent:** **\*\* Jul. 22, 2014**

(54) **HAIR BRUSH**

- (71) Applicant: **Goody Products Inc.**, Atlanta, GA (US)
- (72) Inventor: **Roberta Celeste Brown**, Atlanta, GA (US)
- (73) Assignee: **Goody Products, Inc.**, Atlanta, GA (US)
- (\*\*) Term: **14 Years**
- (21) Appl. No.: **29/440,967**
- (22) Filed: **Dec. 28, 2012**

**Related U.S. Application Data**

- (63) Continuation-in-part of application No. 13/341,794, filed on Dec. 30, 2011, now Pat. No. 8,627,829.
- (51) **LOC (10) Cl.** ..... **04-02**
- (52) **U.S. Cl.**  
USPC ..... **D4/136**
- (58) **Field of Classification Search**  
USPC ..... D4/132-134, 136, 138; 15/143.1, 15/159.1, 160, 186-188; 132/120, 142, 132/313  
See application file for complete search history.

(56) **References Cited**

**U.S. PATENT DOCUMENTS**

- 807,127 A 12/1905 Powers
  - 1,794,754 A 3/1931 Burkhart
- (Continued)

**FOREIGN PATENT DOCUMENTS**

- EP 0461553 A1 12/1991
  - EP 0497080 A1 8/1992
- (Continued)

**OTHER PUBLICATIONS**

EM 1314322-0001 Registered Design, (Calor) Feb. 20, 2012, [online], [retrieved on Jul. 24, 2013] Retrieved from the Community Design Database of the Office for Harmonization in the Internal Market using the Internet: <URL: http://oami.europa.eu>.\*

*Primary Examiner* — Melanie H Tung

*Assistant Examiner* — Lavone D Tabor

(74) *Attorney, Agent, or Firm* — Lempia Summerfield Katz LLC

(57) **CLAIM**

The ornamental design for a “hair brush,” as shown and described.

**DESCRIPTION**

FIG. 1 is a front, right side, and bottom perspective view of our new design for a hair brush.

FIG. 2 is a front view of the hair brush shown in FIG. 1.

FIG. 3 is a rear view of the hair brush shown in FIG. 1.

FIG. 4 is a right side view of the hair brush shown in FIG. 1, the left side being a mirror image thereof.

FIG. 5 is a top view of the hair brush shown in FIG. 1.

FIG. 6 is a bottom view of the hairbrush shown in FIG. 1.

FIG. 7 is a front, right side, and bottom perspective view of a second embodiment of our new design for a hair brush.

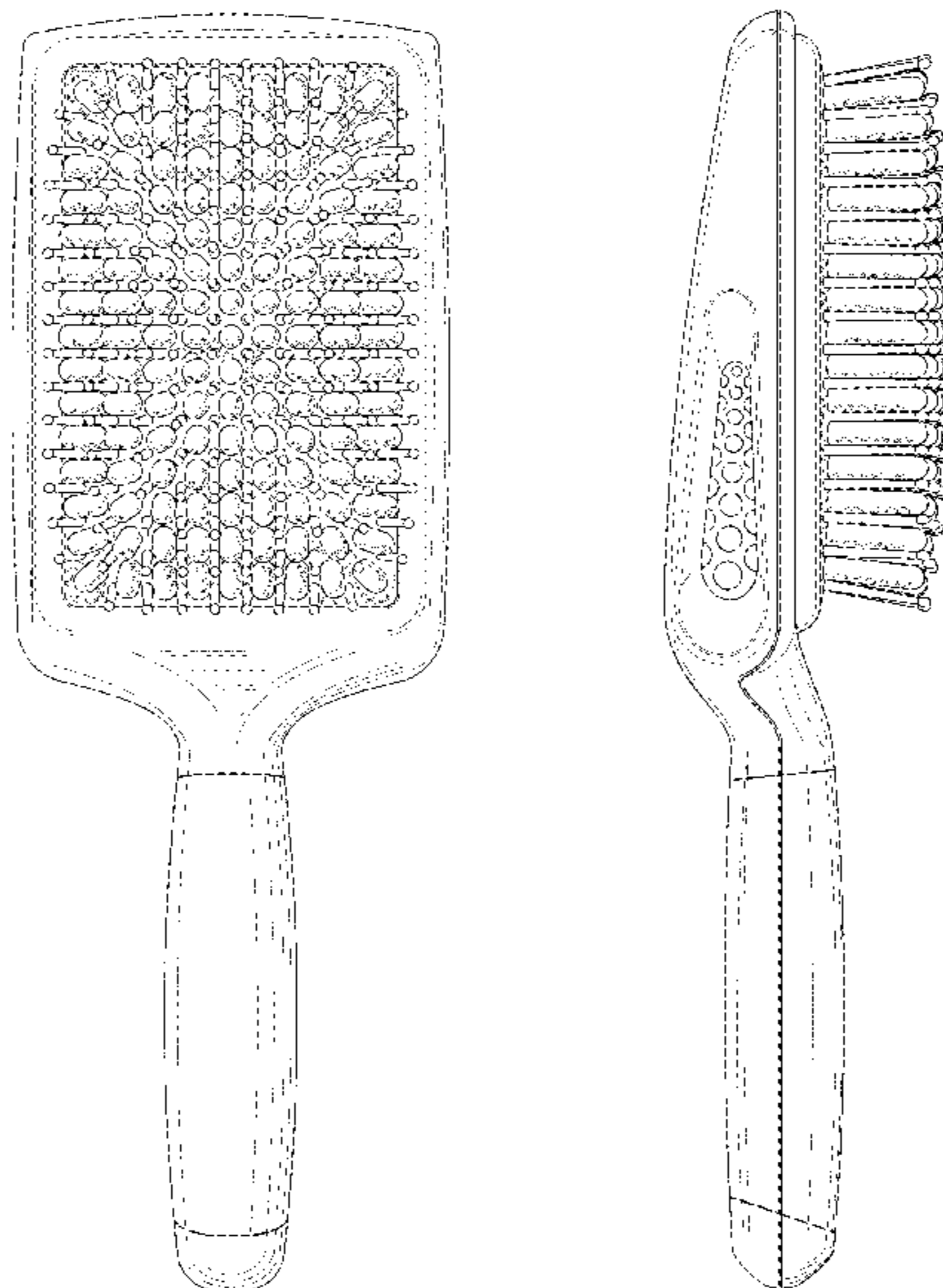
FIG. 8 is a front view of the hair brush shown in FIG. 7.

FIG. 9 is a rear view of the hair brush shown in FIG. 7.

FIG. 10 is a right side view of the hair brush shown in FIG. 7, the left side being a mirror image thereof.

FIG. 11 is a top view of the hair brush shown in FIG. 7; and, FIG. 12 is a bottom view of the hair brush shown in FIG. 7. The portions of the hair brush shown in broken lines in FIGS. 7, 9, 10 and 12 form no part of the second embodiment.

**1 Claim, 8 Drawing Sheets**



(56)

References Cited

U.S. PATENT DOCUMENTS

D115,967 S \* 8/1939 Müller-Munk ..... D4/130  
 2,343,782 A 3/1944 Lotters  
 D165,514 S \* 12/1951 Cosby ..... D4/134  
 2,674,758 A 4/1954 Fay  
 2,699,173 A 1/1955 Grace  
 2,946,074 A 7/1960 Caldwell  
 D190,319 S \* 5/1961 Vallis ..... D4/136  
 D199,176 S \* 9/1964 Seger ..... D4/134  
 3,199,139 A 8/1965 Vallis  
 3,459,199 A 8/1969 Connell  
 4,076,032 A 2/1978 Misercola  
 4,226,251 A 10/1980 Wall  
 4,420,853 A 12/1983 Gilman et al.  
 4,421,129 A 12/1983 Wingard  
 4,423,531 A 1/1984 Wall  
 4,500,939 A 2/1985 Gueret  
 4,566,473 A 1/1986 Hyman  
 4,619,012 A 10/1986 Wachtel  
 4,830,674 A 5/1989 Kaufman  
 4,837,079 A 6/1989 Quantrille et al.  
 4,856,541 A 8/1989 Kellett et al.  
 4,932,425 A 6/1990 Chen  
 4,988,228 A 1/1991 Yeh  
 5,002,075 A 3/1991 Kellett et al.  
 5,017,036 A 5/1991 Vidovic  
 5,062,435 A 11/1991 Ohtsuka  
 5,077,914 A 1/1992 Yamamoto  
 5,148,571 A 9/1992 Brazis et al.  
 5,261,426 A 11/1993 Kellett et al.  
 5,301,695 A 4/1994 Wong  
 5,327,611 A 7/1994 Balster et al.  
 D384,058 S \* 9/1997 Pinon ..... D4/136  
 5,896,614 A 4/1999 Flewitt  
 6,158,442 A 12/2000 Piatetsky  
 6,276,367 B1 8/2001 Piatetsky  
 6,692,505 B1 2/2004 Maier et al.  
 6,810,553 B1 11/2004 Otsuji et al.  
 6,915,807 B2 7/2005 Choi

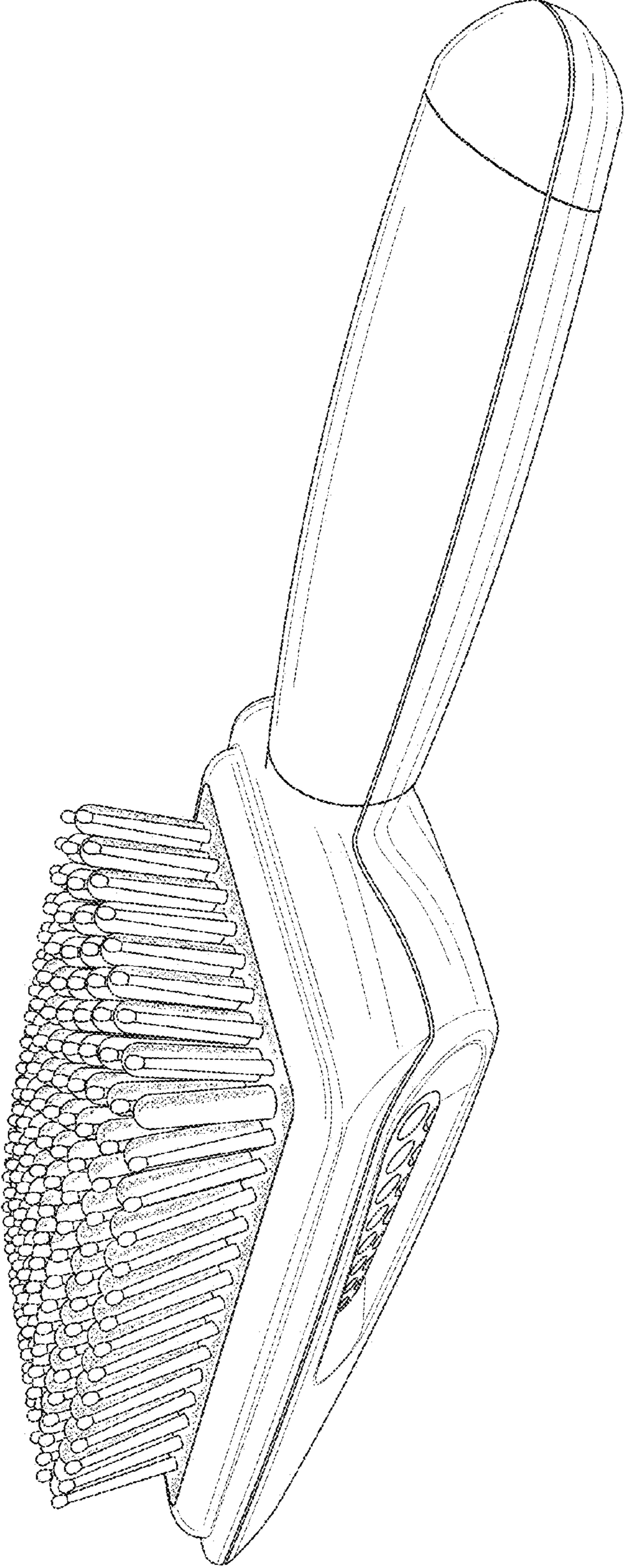
D513,883 S \* 1/2006 Kampel et al. .... D4/133  
 7,195,814 B2 3/2007 Ista et al.  
 7,198,048 B2 4/2007 Johnson  
 7,198,050 B2 4/2007 Gopou et al.  
 7,310,849 B2 12/2007 White et al.  
 7,322,364 B2 1/2008 Hurwitz  
 7,461,659 B2 12/2008 Glynn, Jr. et al.  
 7,610,647 B2 11/2009 Morgan et al.  
 7,694,687 B2 4/2010 Hurwitz  
 7,845,360 B2 12/2010 Walters et al.  
 8,042,216 B2 10/2011 Jochim et al.  
 D669,690 S \* 10/2012 Jacob et al. .... D4/133  
 2004/0065337 A1 4/2004 Wang  
 2004/0237236 A1 12/2004 Gavney, Jr.  
 2005/0066464 A1 3/2005 McKay  
 2005/0081875 A1 4/2005 Wang  
 2005/0198757 A1 9/2005 Gavney, Jr. et al.  
 2006/0026783 A1 \* 2/2006 McKay ..... 15/104.94  
 2007/0079842 A1 4/2007 Glynn, Jr. et al.  
 2007/0144451 A1 6/2007 Hurwitz  
 2008/0098546 A1 5/2008 Warmka et al.  
 2008/0098547 A1 5/2008 McKey  
 2008/0148504 A1 6/2008 Kuo  
 2009/0094772 A1 4/2009 Lee et al.  
 2009/0101160 A1 4/2009 Ruckart  
 2009/0165230 A1 7/2009 Tsuchiya et al.  
 2010/0132625 A1 6/2010 Dionne  
 2011/0119850 A1 5/2011 Mallory et al.  
 2011/0239390 A1 10/2011 Park  
 2011/0239394 A1 10/2011 Pisacane et al.  
 2011/0302733 A1 12/2011 Yuan  
 2012/0110765 A1 5/2012 Lin  
 2012/0151699 A1 6/2012 Gavney, Jr. et al.

FOREIGN PATENT DOCUMENTS

EP 1272068 B1 3/2004  
 EP 1869992 A1 12/2007  
 JP 2003319835 A \* 11/2003  
 KR 30-0252715 S \* 2/2000

\* cited by examiner

FIG. 1



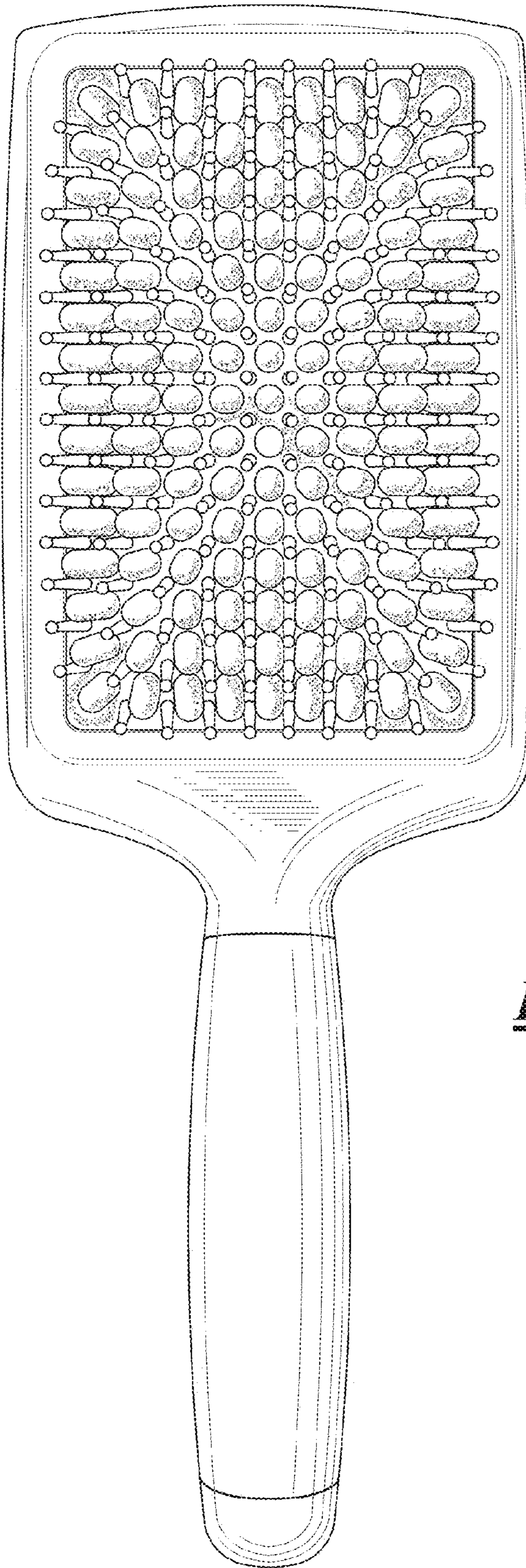
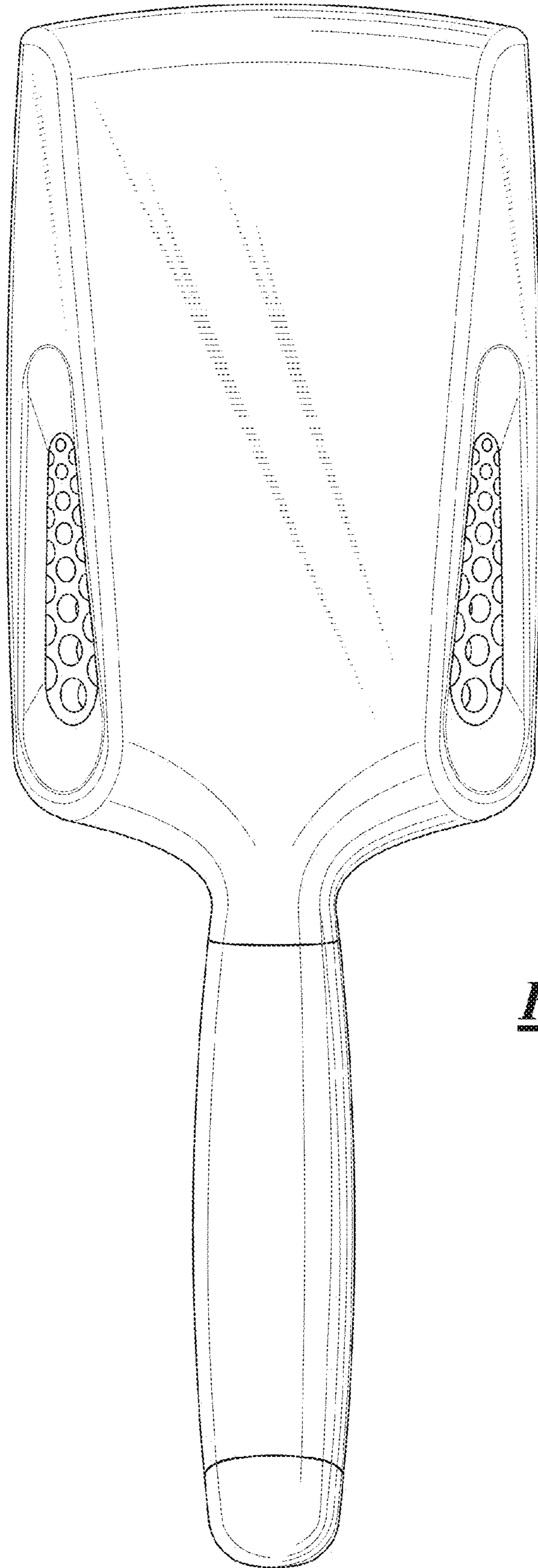
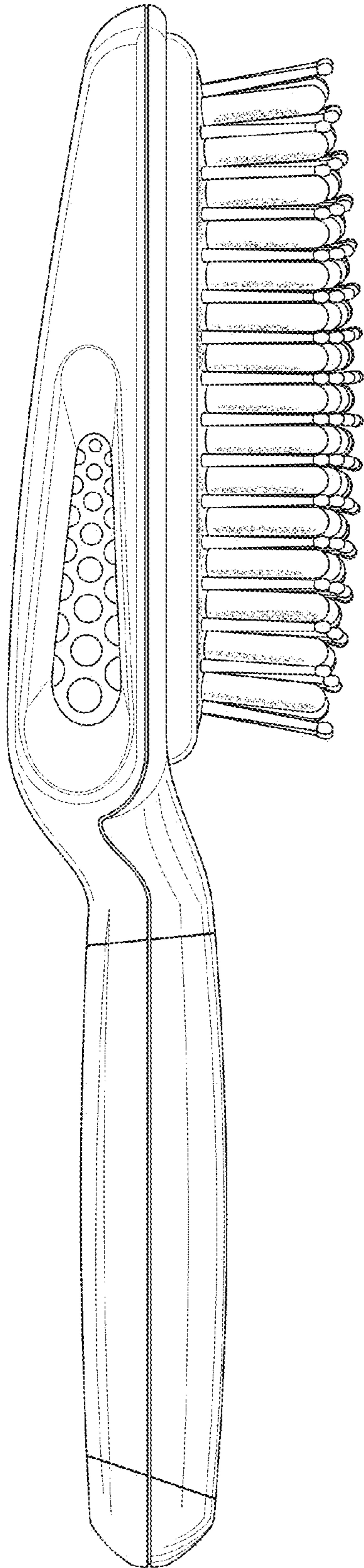


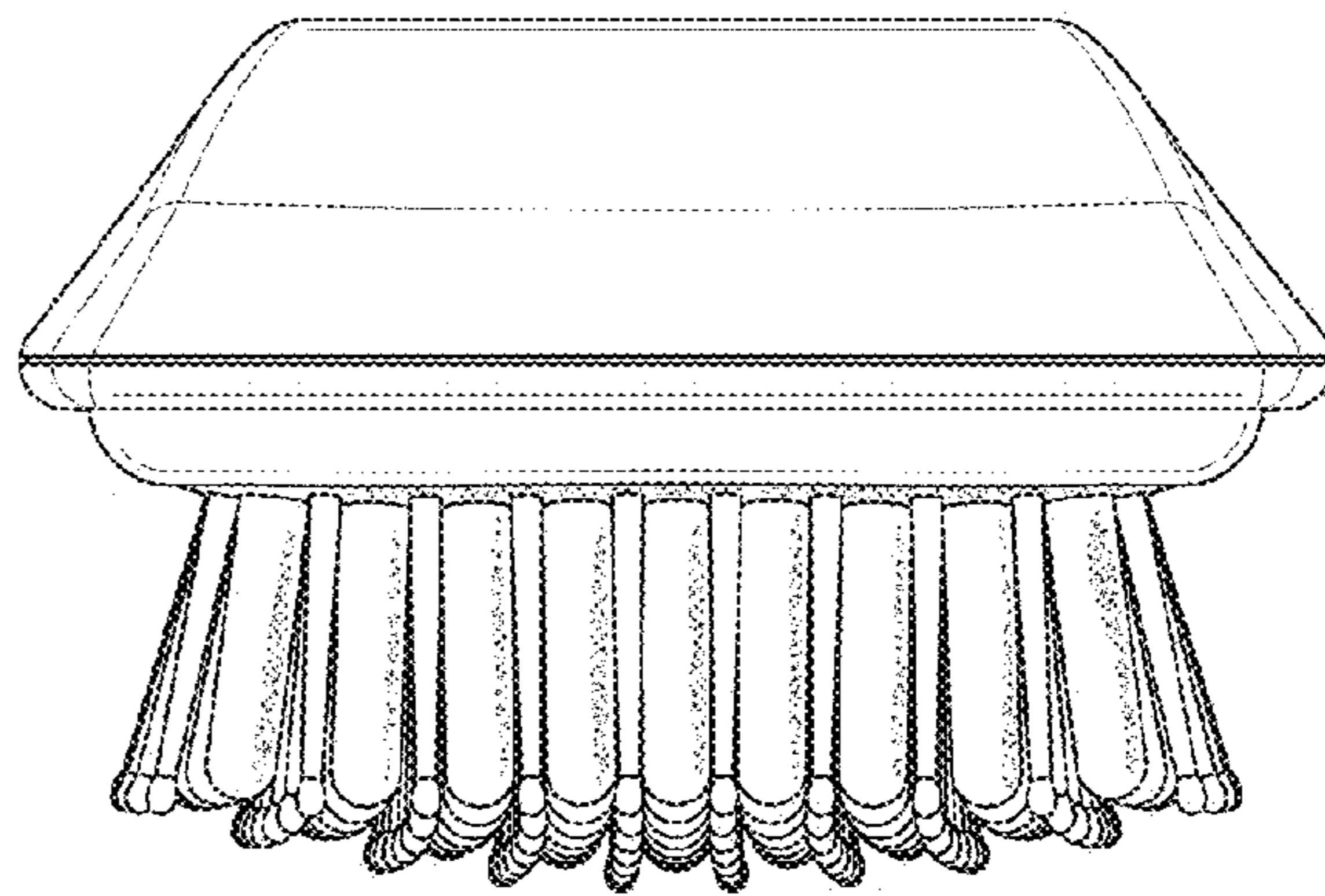
FIG. 2



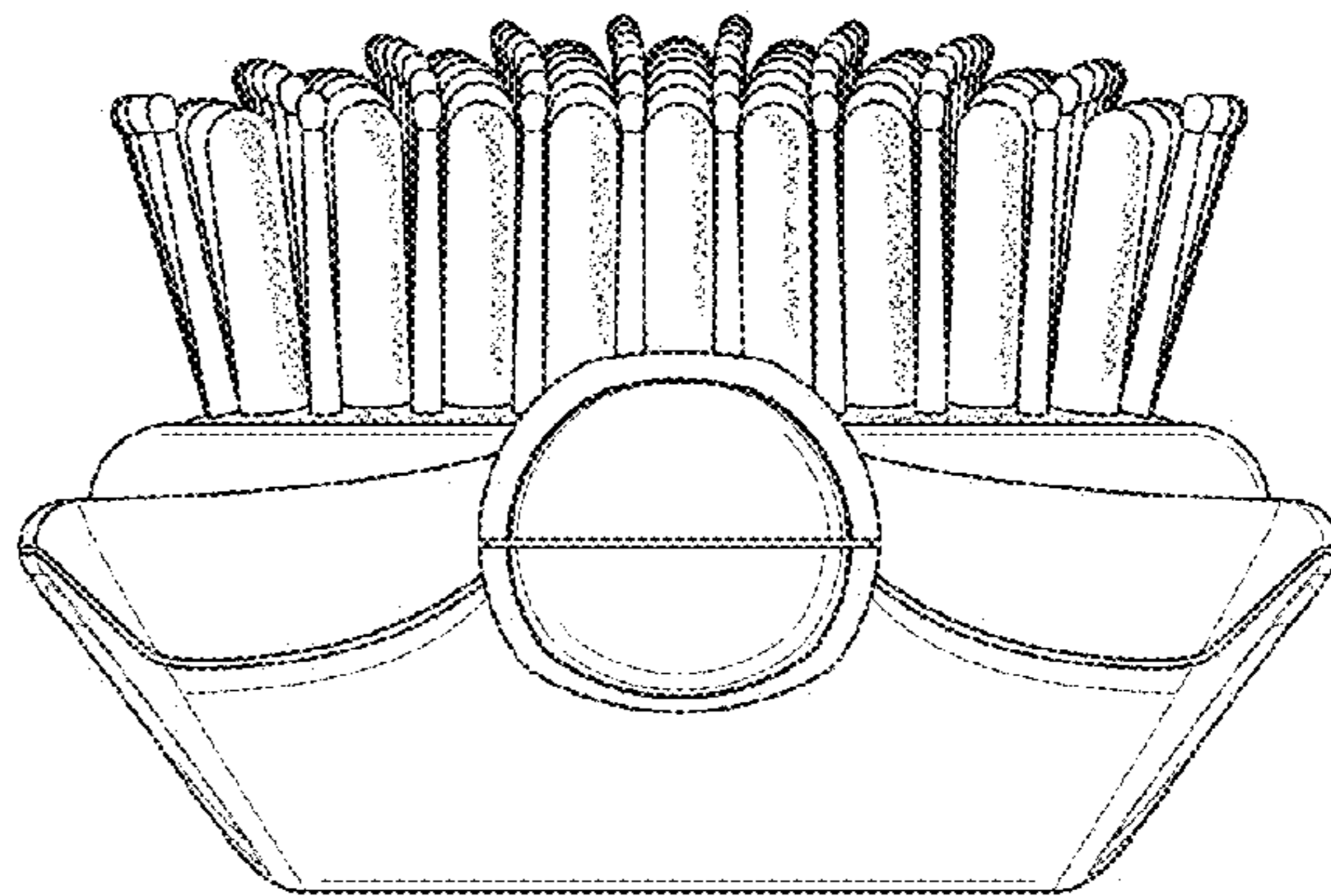
**FIG. 3**



**FIG. 4**

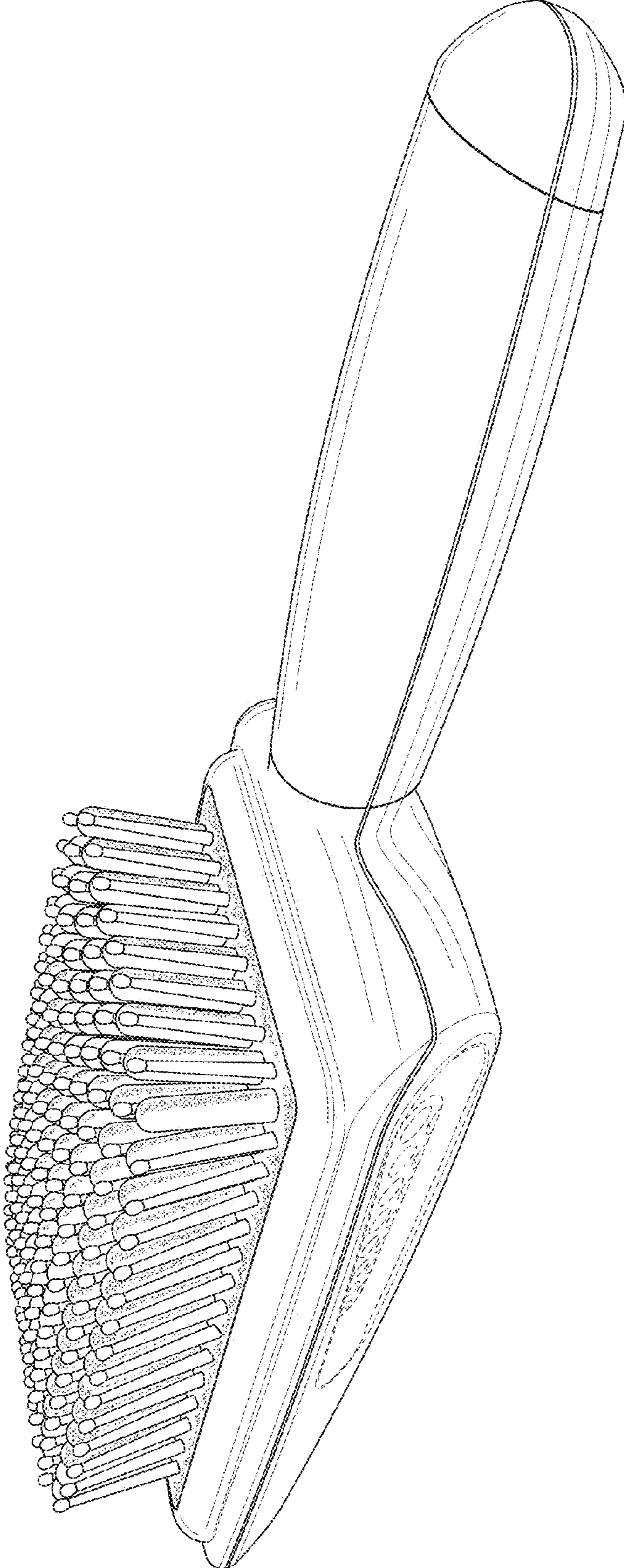


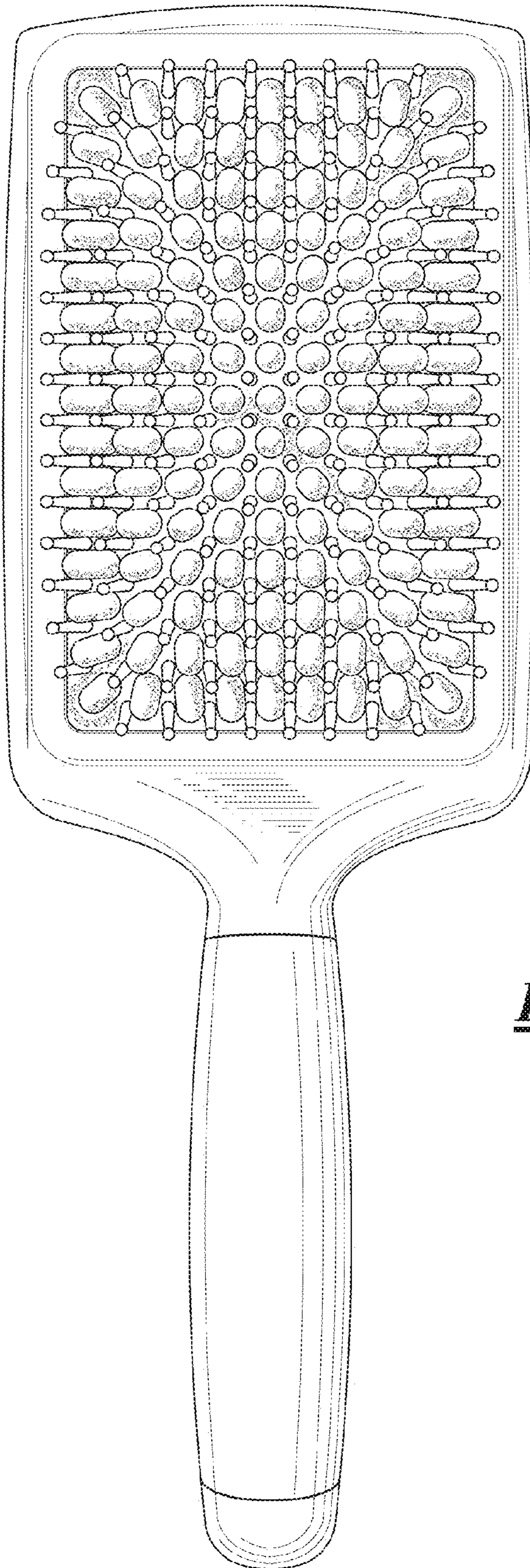
**FIG. 5**



**FIG. 6**

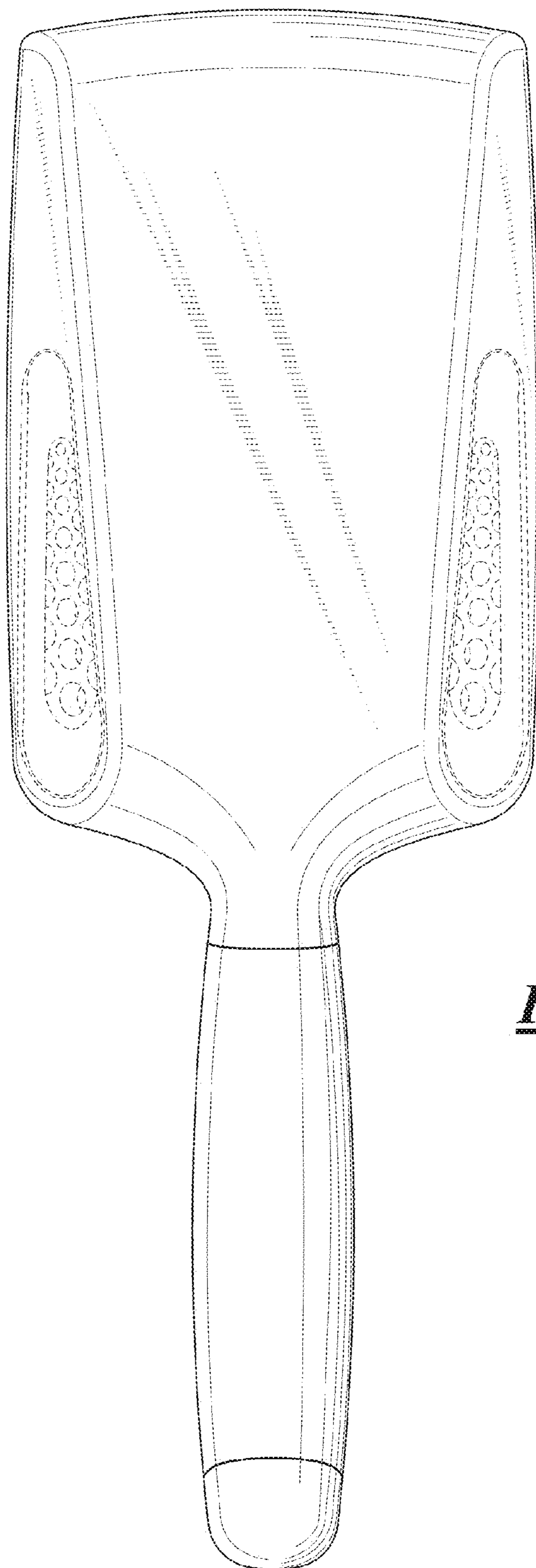
FIG. 7





**FIG. 8**





**FIG. 9**

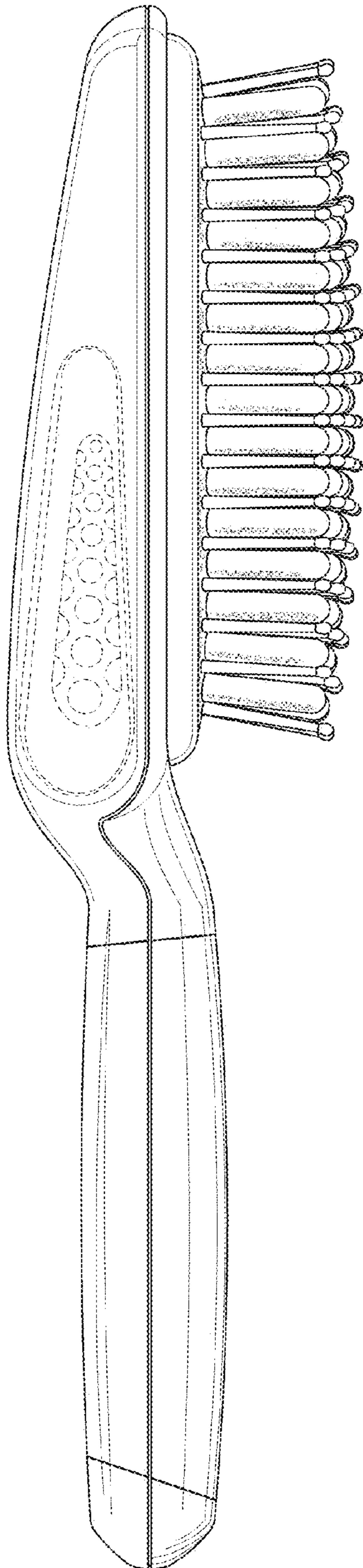


FIG. 10

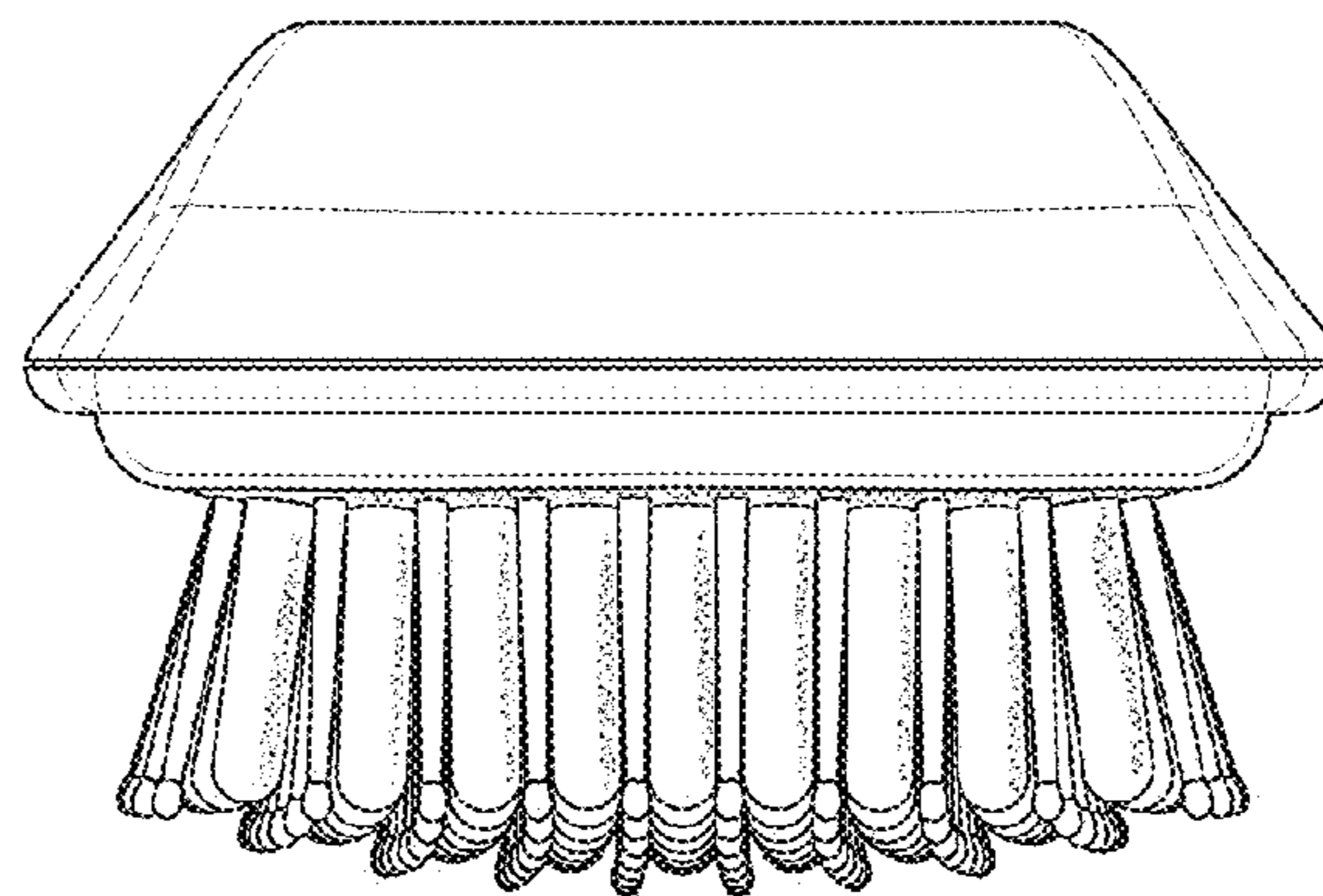


FIG. 11

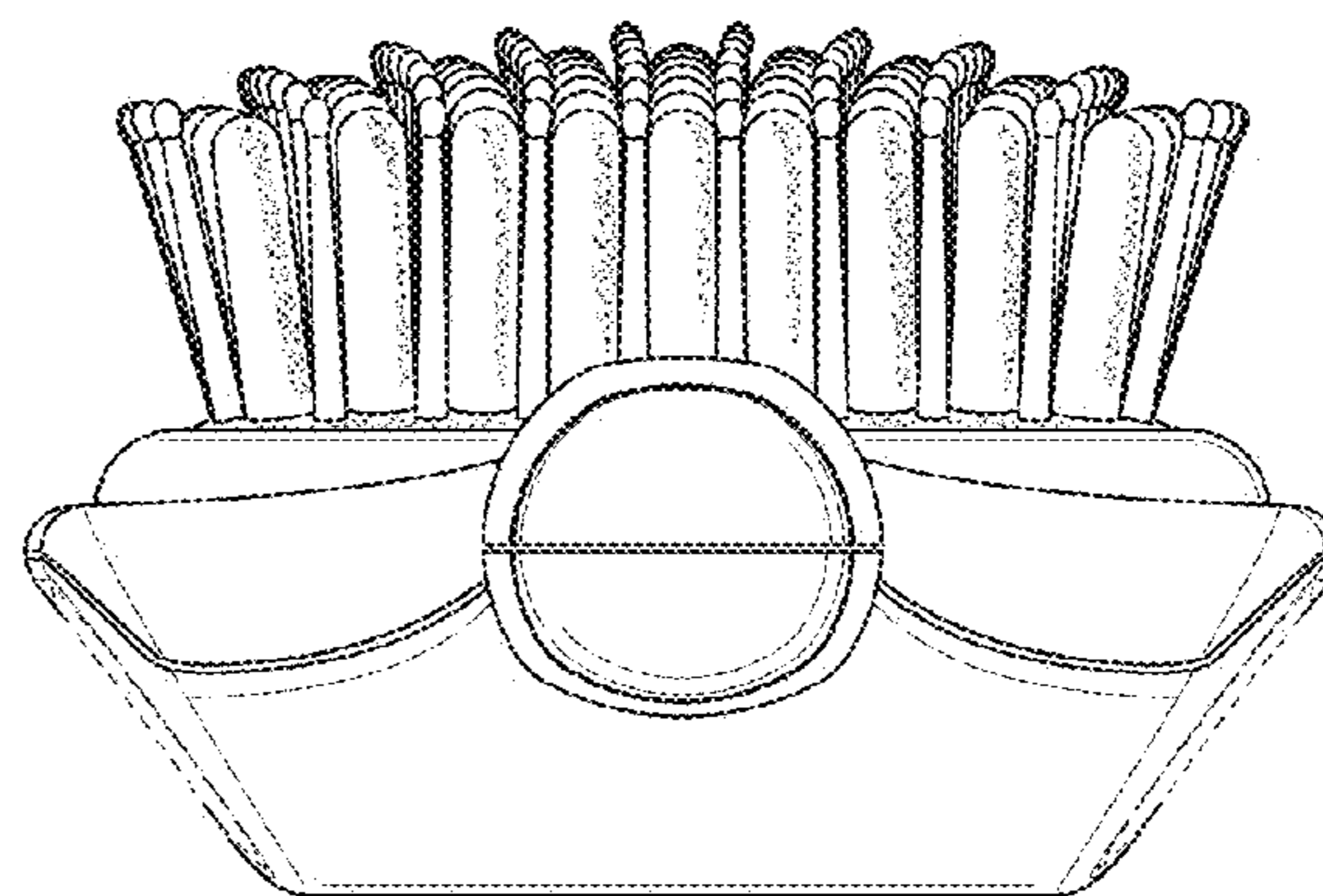


FIG. 12