



US00D709289S

(12) **United States Design Patent**
Kraemer

(10) **Patent No.:** **US D709,289 S**

(45) **Date of Patent:** **** Jul. 22, 2014**

(54) **ORGANIZER**

(75) Inventor: **Kevin Francis Kraemer**, Cuyahoga Falls, OH (US)

(73) Assignee: **InterDesign, Inc.**, Solon, OH (US)

(**) Term: **14 Years**

(21) Appl. No.: **29/416,358**

(22) Filed: **Mar. 21, 2012**

(51) **LOC (10) Cl.** **03-01**

(52) **U.S. Cl.**
USPC **D3/306**; D19/92

(58) **Field of Classification Search**
USPC D8/372; D6/491, 512, 515; 211/126.1, 211/133.6, 183, 70.7, 11, 13.1, 131.1; 206/557, 561-562, 215, 449, 558; D19/77-78, 90; D3/306, 313-315
See application file for complete search history.

(56) **References Cited**

U.S. PATENT DOCUMENTS

D327,503	S	*	6/1992	Szablak et al.	D19/92
D334,593	S	*	4/1993	Evenson	D19/92
D335,505	S	*	5/1993	Chan	D19/92
5,482,342	A	*	1/1996	Kowalski et al.	294/160
D455,460	S	*	4/2002	Cheris et al.	D19/92

D468,773	S	*	1/2003	Bodum	D19/92
D473,455	S	*	4/2003	Goodman et al.	D8/372
D481,928	S	*	11/2003	Goodman et al.	D8/372
D568,725	S	*	5/2008	Snider	D8/372
D669,540	S	*	10/2012	Hu	D19/92

* cited by examiner

Primary Examiner — Holly Baynham

(74) *Attorney, Agent, or Firm* — Calfee, Halter & Griswold LLP

(57) **CLAIM**

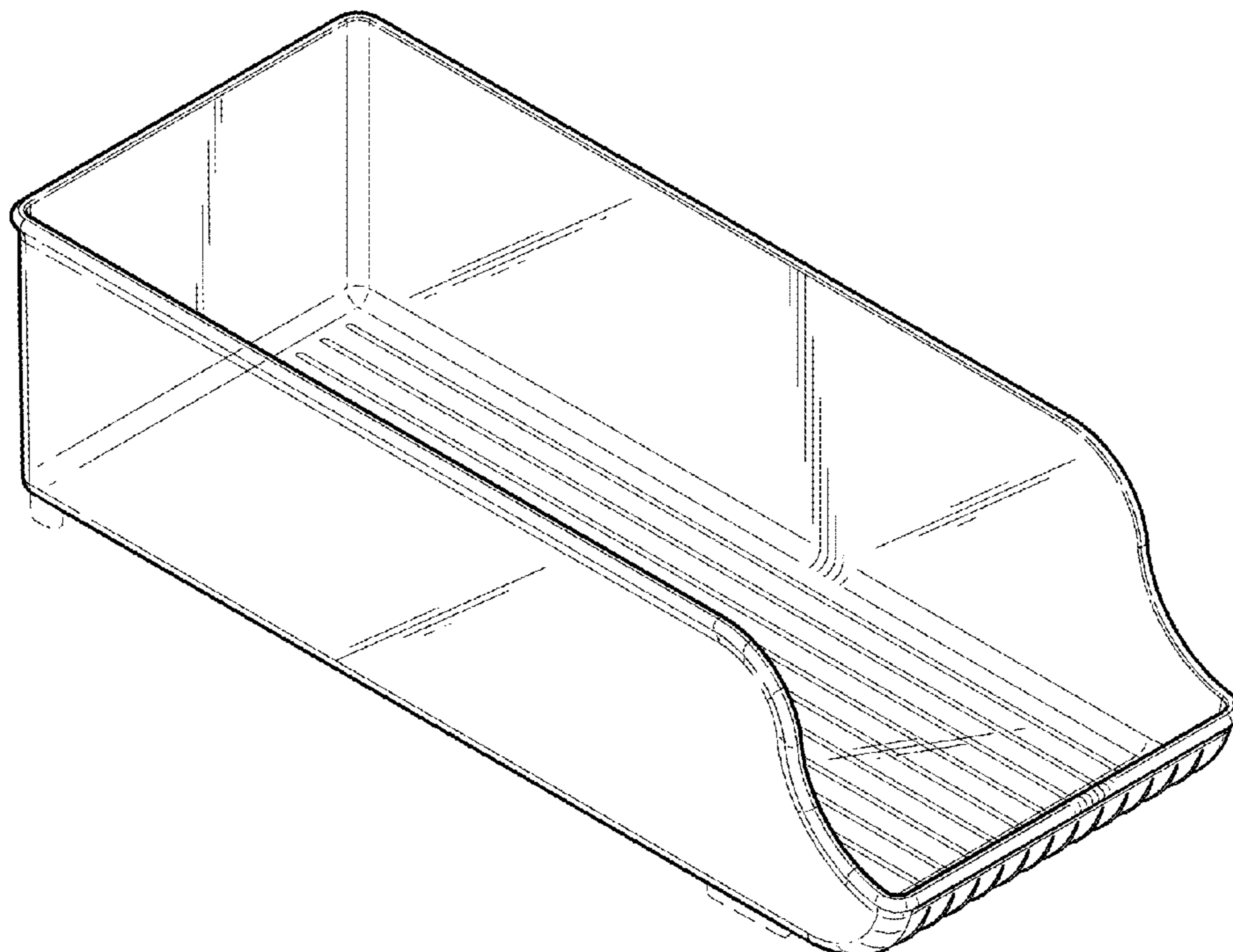
I claim the ornamental design for an organizer, as shown and described.

DESCRIPTION

FIG. 1 is a front/left/top perspective view of an organizer; FIG. 2 is a rear/right/bottom perspective view thereof; FIG. 3 is a front elevational view thereof; FIG. 4 is a rear elevational view thereof; FIG. 5 is a right side elevational view thereof (a left side elevational view would be a mirror image thereof); FIG. 6 is a top plan view thereof; and, FIG. 7 is a bottom plan view thereof.

The broken lines showing bearings are for the purposes of illustrating environment and form no part of the claimed design.

1 Claim, 5 Drawing Sheets



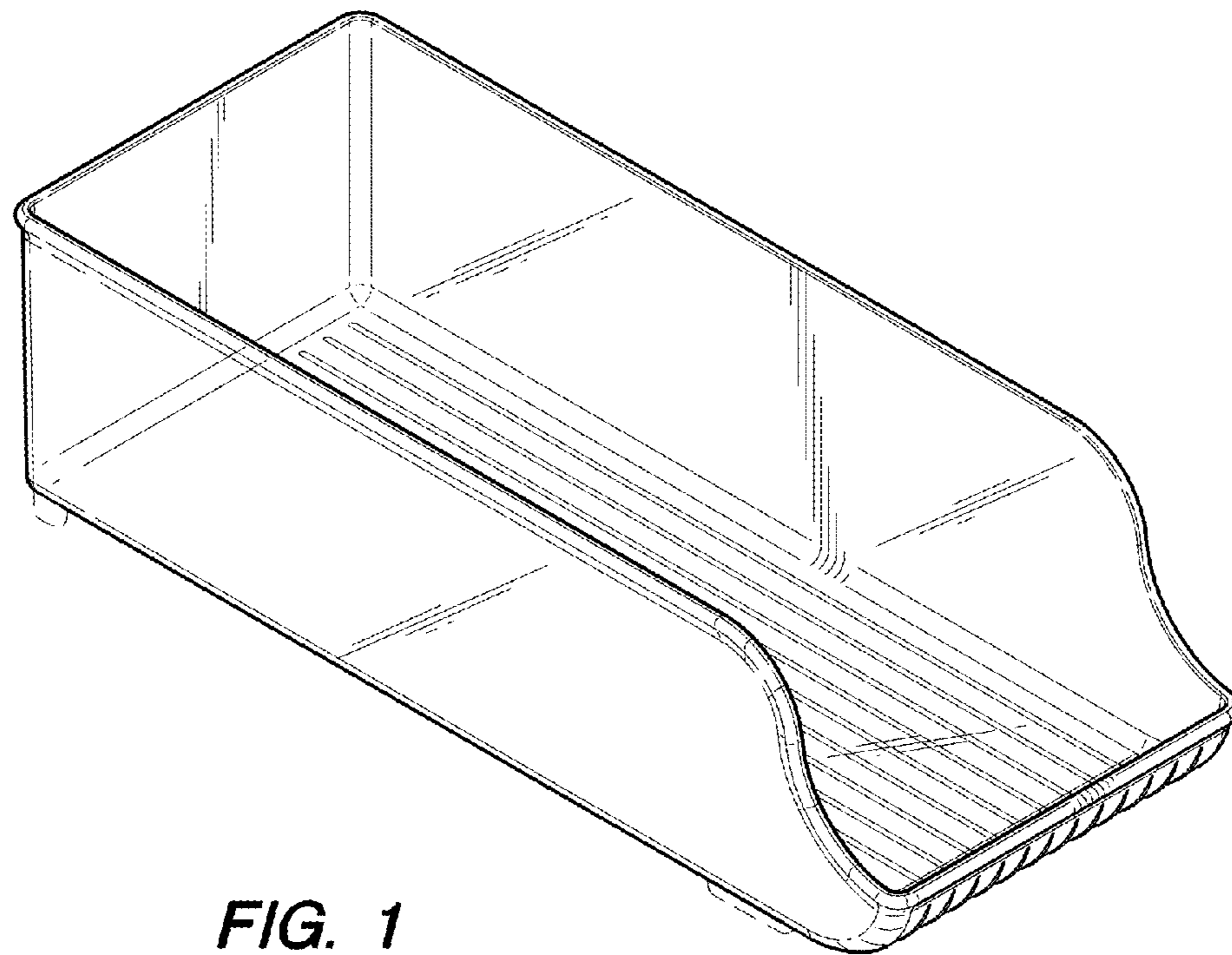


FIG. 1

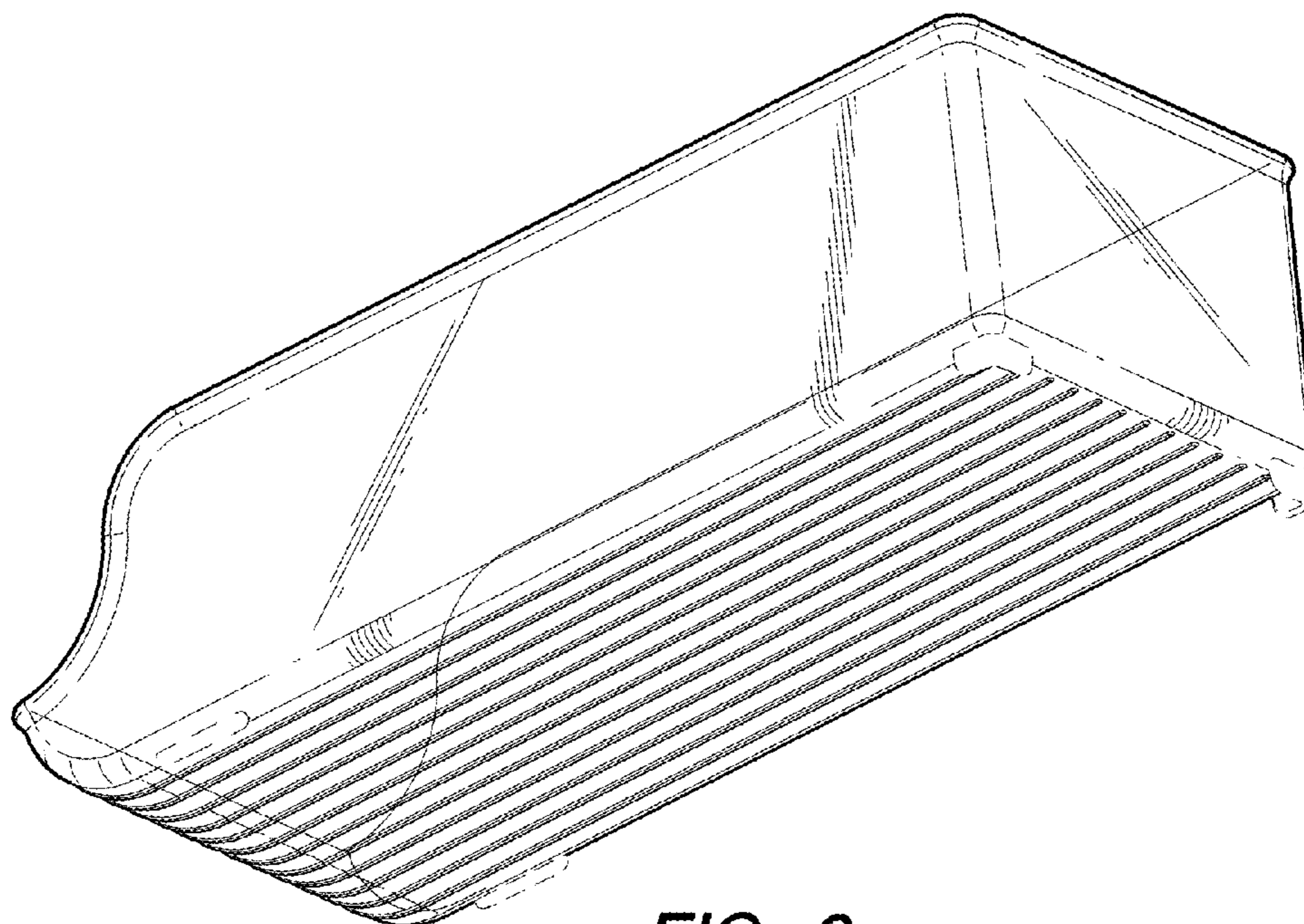


FIG. 2

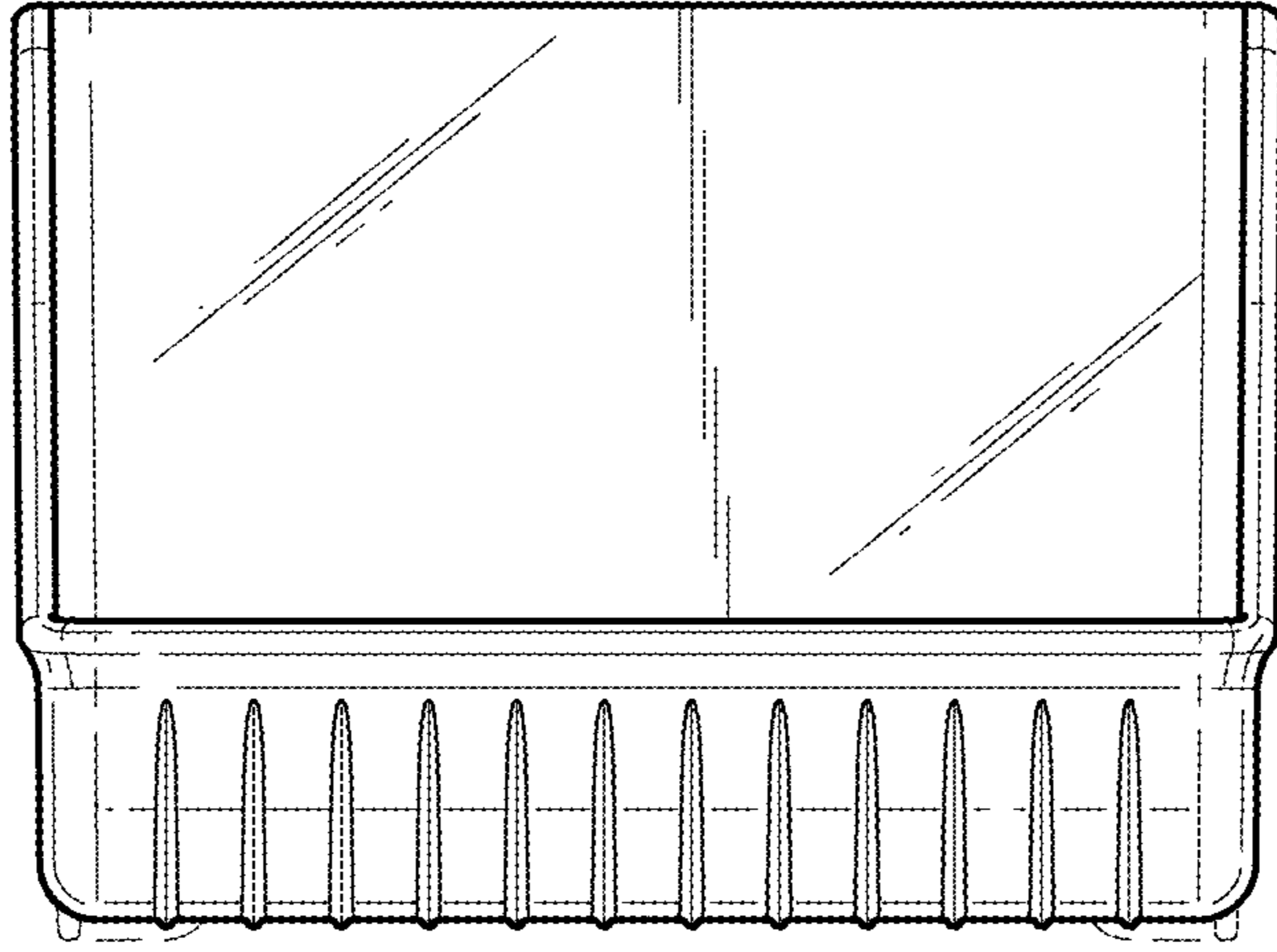


FIG. 3

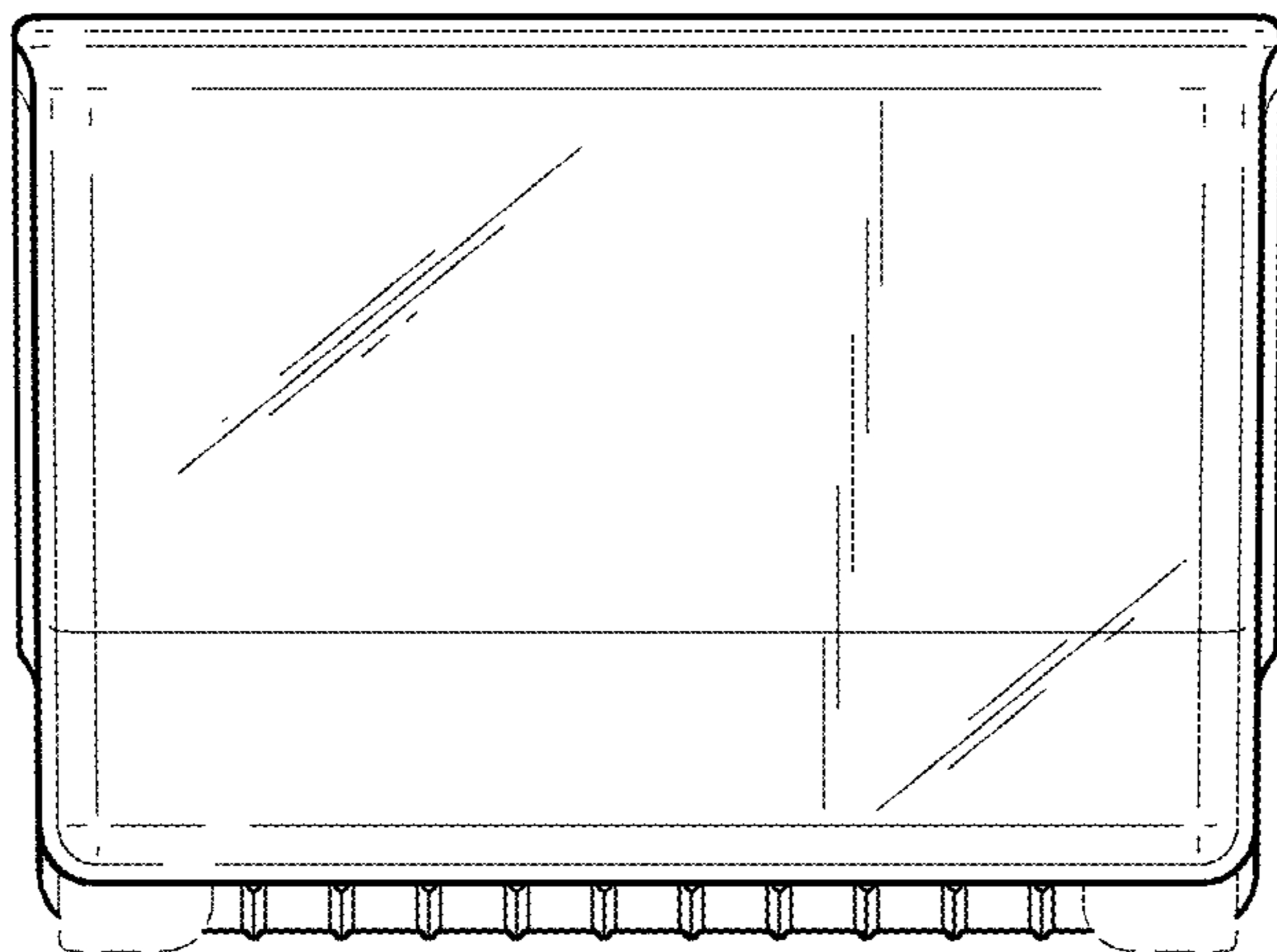


FIG. 4

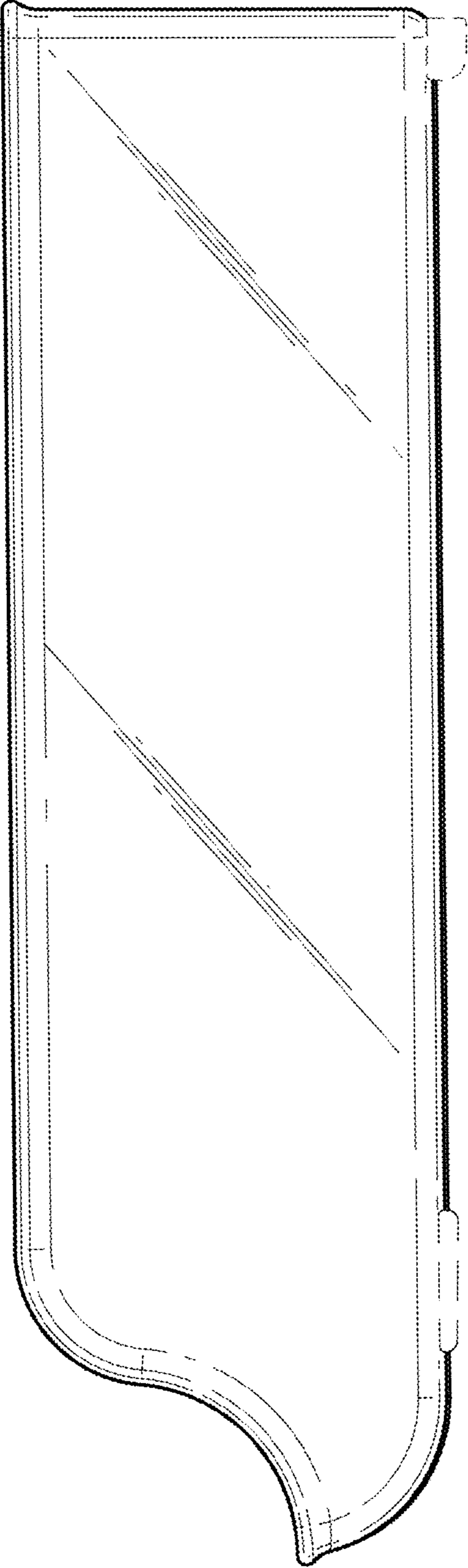


FIG. 5

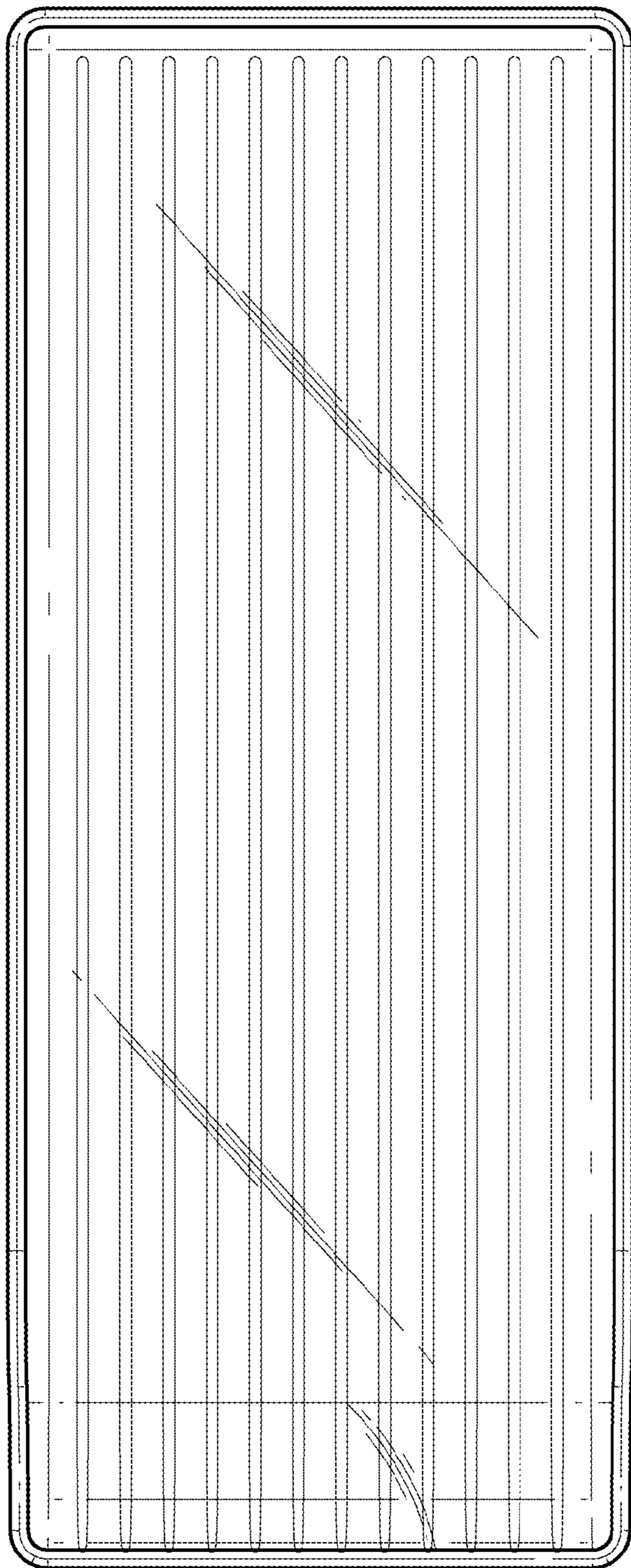


FIG. 6

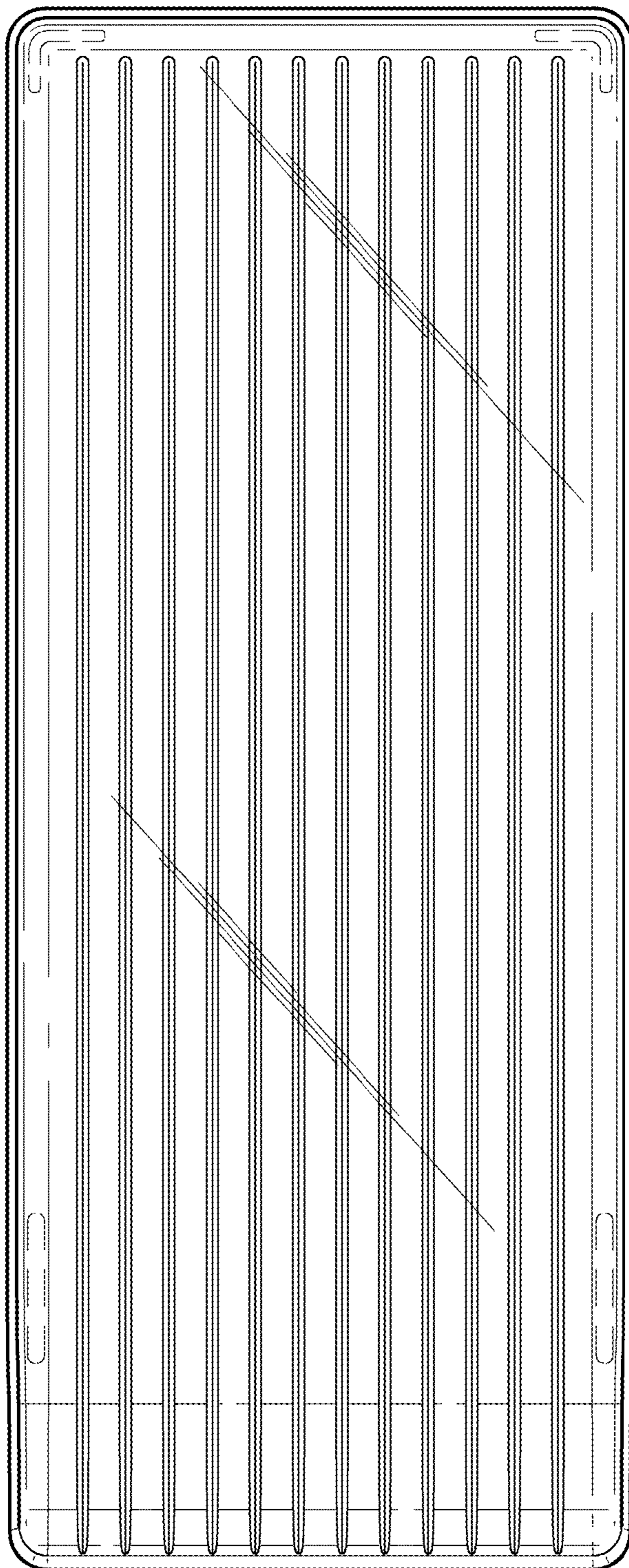


FIG. 7

UNITED STATES PATENT AND TRADEMARK OFFICE
CERTIFICATE OF CORRECTION

PATENT NO. : D709,289 S
APPLICATION NO. : 29/416358
DATED : July 22, 2014
INVENTOR(S) : Kevin Francis Kraemer

Page 1 of 1

It is certified that error appears in the above-identified patent and that said Letters Patent is hereby corrected as shown below:

On the Title Page

In the "Description" section, after "FIG 2 is a rear/" delete "fight" and insert --right--.

In the "Description" section, after "FIG 5 is a" delete "fight" and insert --right--.

Signed and Sealed this
Seventh Day of October, 2014



Michelle K. Lee
Deputy Director of the United States Patent and Trademark Office