



US00D709288S

(12) **United States Design Patent**
Luburic

(10) **Patent No.:** **US D709,288 S**
(45) **Date of Patent:** **** Jul. 22, 2014**

(54) **COMBINED CONTAINER AND LID**

(75) Inventor: **Frano Luburic**, Anaheim, CA (US)

(73) Assignee: **Ropak Corporation**, Fountain Valley, CA (US)

(**) Term: **14 Years**

(21) Appl. No.: **29/404,328**

(22) Filed: **Oct. 19, 2011**

(51) **LOC (10) Cl.** **03-01**

(52) **U.S. Cl.**
USPC **D3/302; D3/276**

(58) **Field of Classification Search**

USPC D3/272, 273, 302, 276; D9/416,
D9/424-432; 206/503-512, 514, 515,
206/516-520; 220/675, 669, 265, 266, 260,
220/276

See application file for complete search history.

(56) **References Cited**

U.S. PATENT DOCUMENTS

D342,609 S *	12/1993	Brightbill	D3/294
D374,555 S *	10/1996	McMath	D3/272
D374,772 S *	10/1996	Hotaling et al.	D3/276
D376,259 S *	12/1996	Dickinson et al.	D3/273
D378,552 S *	3/1997	Lippisch	D3/273
D381,512 S *	7/1997	Green	D3/294
D382,112 S *	8/1997	Egan	D3/273
D416,384 S *	11/1999	Bell	D3/273
6,308,858 B1 *	10/2001	Koefeldt	220/608
D480,872 S *	10/2003	Welsh et al.	D3/302
D503,534 S *	4/2005	Dong	D3/276
D506,608 S *	6/2005	Dong	D3/276
D511,624 S *	11/2005	Rosine et al.	D3/273
D535,478 S *	1/2007	Uffner et al.	D3/302
D536,171 S *	2/2007	Dong	D3/276
D543,030 S *	5/2007	Schafer	D3/272
D565,297 S *	4/2008	Stevens et al.	D3/272
7,475,788 B2 *	1/2009	Schwarz	220/276
7,740,149 B2	6/2010	Luburic		
7,946,441 B2	5/2011	Habitz et al.		
2007/0246469 A1	10/2007	Whitmore et al.		
2008/0190930 A1 *	8/2008	Vogel et al.	220/276
2009/0026203 A1 *	1/2009	Selina et al.	220/276

2010/0065567 A1 *	3/2010	Vovan	220/266
2010/0307116 A1 *	12/2010	Fisher	53/492
2011/0024421 A1	2/2011	Luburic		
2011/0158761 A1 *	6/2011	Jackson et al.	410/96
2012/0273381 A1 *	11/2012	Ulmer et al.	206/505
2013/0020336 A1 *	1/2013	Luburic et al.	220/675

* cited by examiner

Primary Examiner — Jennifer Rivard

(74) Attorney, Agent, or Firm — Vedder Price P.C.

(57) **CLAIM**

I claim the ornamental design for a combined container and lid, as shown and described.

DESCRIPTION

FIG. 1 is a perspective view of a container.
 FIG. 2 is a perspective view of the container of FIG. 1 having a handle.
 FIG. 3 is another perspective view of the container of FIG. 1.
 FIG. 4 is a front elevation view of the container shown in FIG. 1.
 FIG. 5 is a rear elevation view of the container shown in FIG. 1.
 FIG. 6 is a left elevation view of the container shown in FIG. 1.
 FIG. 7 is a right elevation view of the container shown in FIG. 1.
 FIG. 8 is a top plan view of the container shown in FIG. 1.
 FIG. 9 is a bottom plan view of the container shown in FIG. 1.
 FIG. 10 is a perspective view of multiple containers of the embodiment shown in FIG. 1, in a stacked configuration.
 FIG. 11 is a top perspective view of a lid.
 FIG. 12 is a bottom perspective view of the lid of FIG. 11.
 FIG. 13 is a front elevation view of the lid of FIG. 11.
 FIG. 14 is a rear elevation view of the lid of FIG. 11.
 FIG. 15 is a left elevation view of the lid of FIG. 11.
 FIG. 16 is a right elevation view of the lid of FIG. 11.
 FIG. 17 is a top plan view of the lid of FIG. 11.
 FIG. 18 is a bottom plan view of the lid of FIG. 11.
 FIG. 19 is a perspective view of multiple lids of the embodiment shown in FIG. 11, in a stacked configuration.
 FIG. 20 is a perspective view of the container of FIG. 1 assembled in connection with the lid of FIG. 11.

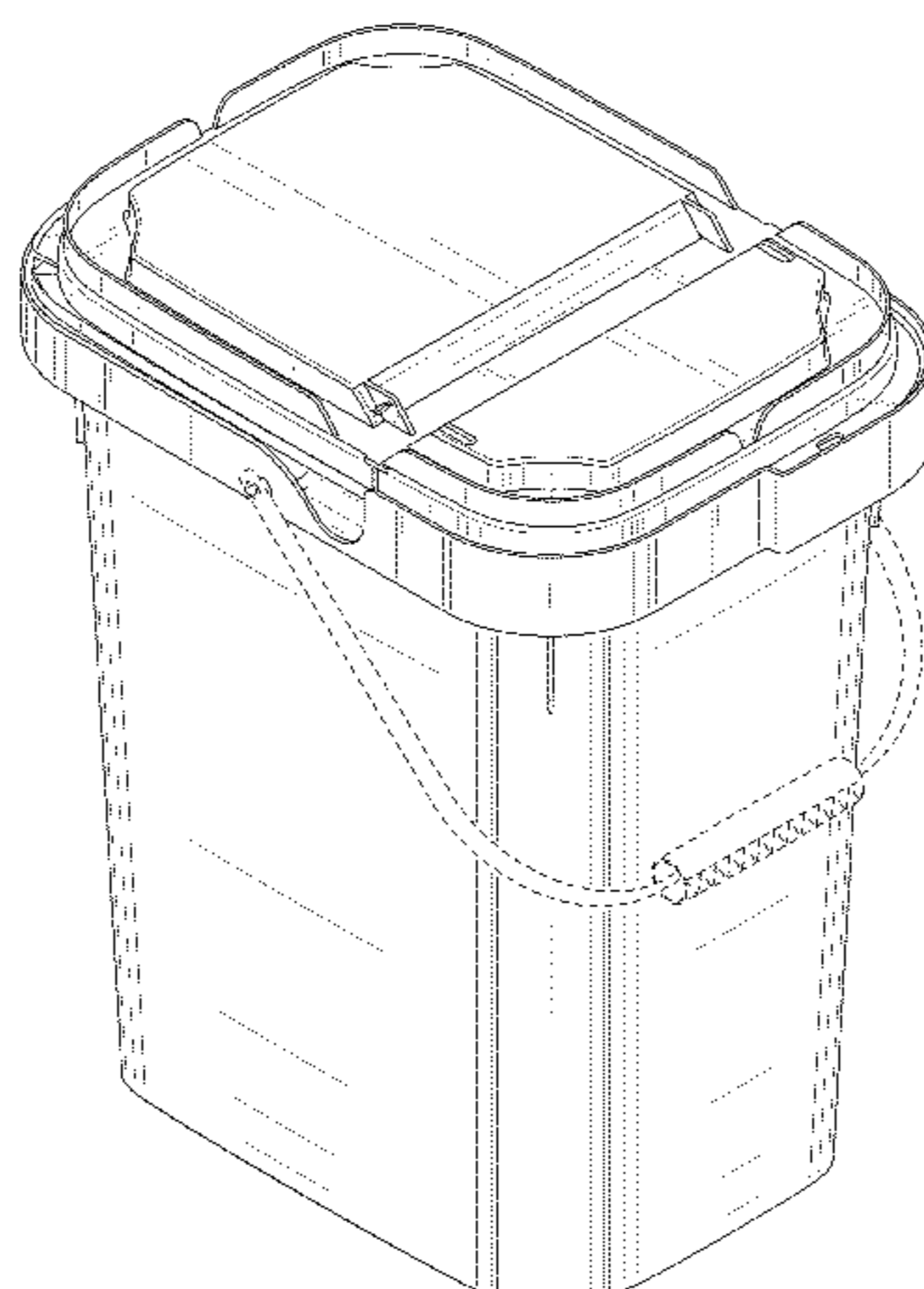


FIG. 21 is another perspective view of the container and lid of FIG. 20.

FIG. 22 is a perspective view of the container of FIG. 2 assembled in connection with the lid of FIG. 11.

FIG. 23 is another perspective view of the container and lid of FIG. 22.

FIG. 24 is a front elevation view of the embodiment shown in FIG. 20.

FIG. 25 is a rear elevation view of the embodiment shown in FIG. 20.

FIG. 26 is a left elevation view of the embodiment shown in FIG. 20.

FIG. 27 is a right elevation view of the embodiment shown in FIG. 20.

FIG. 28 is a top plan view of the embodiment shown in FIG. 20.

FIG. 29 is a bottom plan view of the embodiment shown in FIG. 20.

FIG. 30 is a perspective view of multiple container and lid assemblies of the embodiment shown in FIG. 22, in a stacked configuration.

FIG. 31 is another perspective view of multiple container and lid assemblies of the embodiment shown in FIG. 22, in another stacked configuration.

FIG. 32 is a top plan view of multiple container and lid assemblies of the embodiment shown in FIG. 31.

FIG. 33 is a perspective view of the container of FIG. 1 with a tear strip removed.

FIG. 34 is a perspective view of the container of FIG. 2 with a tear strip removed.

FIG. 35 is a perspective view of the container of FIG. 3 with a tear strip removed.

FIG. 36 is a front elevation view of the container of FIG. 4 with a tear strip removed.

FIG. 37 is a rear elevation view of the container of FIG. 5 with a tear strip removed.

FIG. 38 is a left elevation view of the container of FIG. 6 with a tear strip removed.

FIG. 39 is a top plan view of the container of FIG. 8 with a tear strip removed.

FIG. 40 is a perspective view of the container of FIG. 33 assembled in connection with the lid of FIG. 11.

FIG. 41 is another perspective view of the container of FIG. 33 assembled in connection with the lid of FIG. 11.

FIG. 42 is a perspective view of the container of FIG. 34 assembled in connection with the lid of FIG. 11.

FIG. 43 is another perspective view of the container of FIG. 34 assembled in connection with the lid of FIG. 11.

FIG. 44 is a front elevation view of the container of FIG. 36 assembled in connection with the lid of FIG. 11.

FIG. 45 is a rear elevation view of the container of FIG. 37 assembled in connection with the lid of FIG. 11.

FIG. 46 is a left elevation view of the container of FIG. 38 assembled in connection with the lid of FIG. 11; and,

FIG. 47 is a top plan view of the container of FIG. 39 assembled in connection with the lid of FIG. 11.

The broken line disclosures of the handle and interior bands illustrate portions of the container and form no part of the design. The remaining broken lines illustrate the environment of the container and form no part of the claimed design. The container and lid are shown separately for convenience of illustration. The container is shown with and without the tear strip for convenience of illustration.

1 Claim, 45 Drawing Sheets

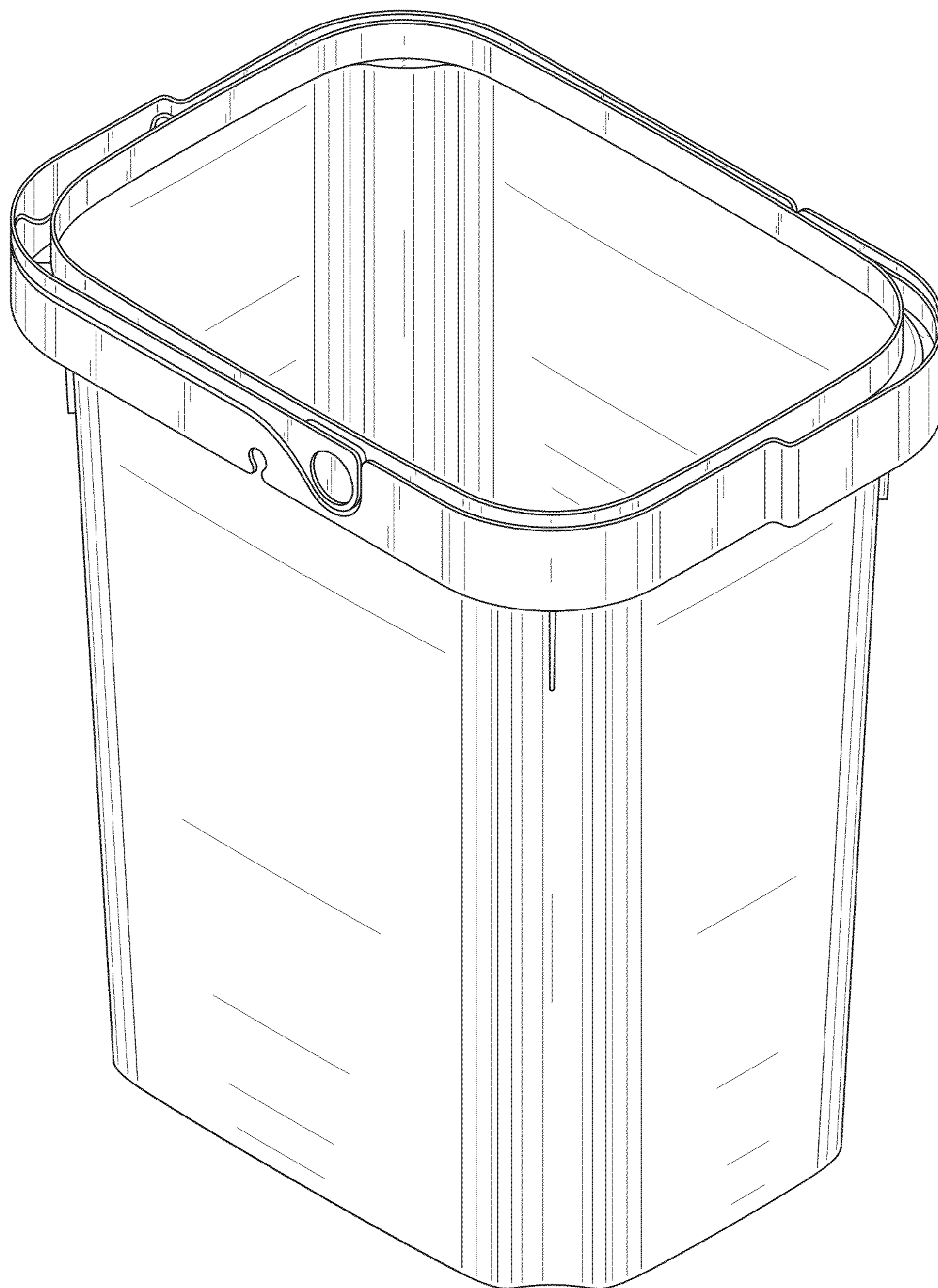


FIG. 1

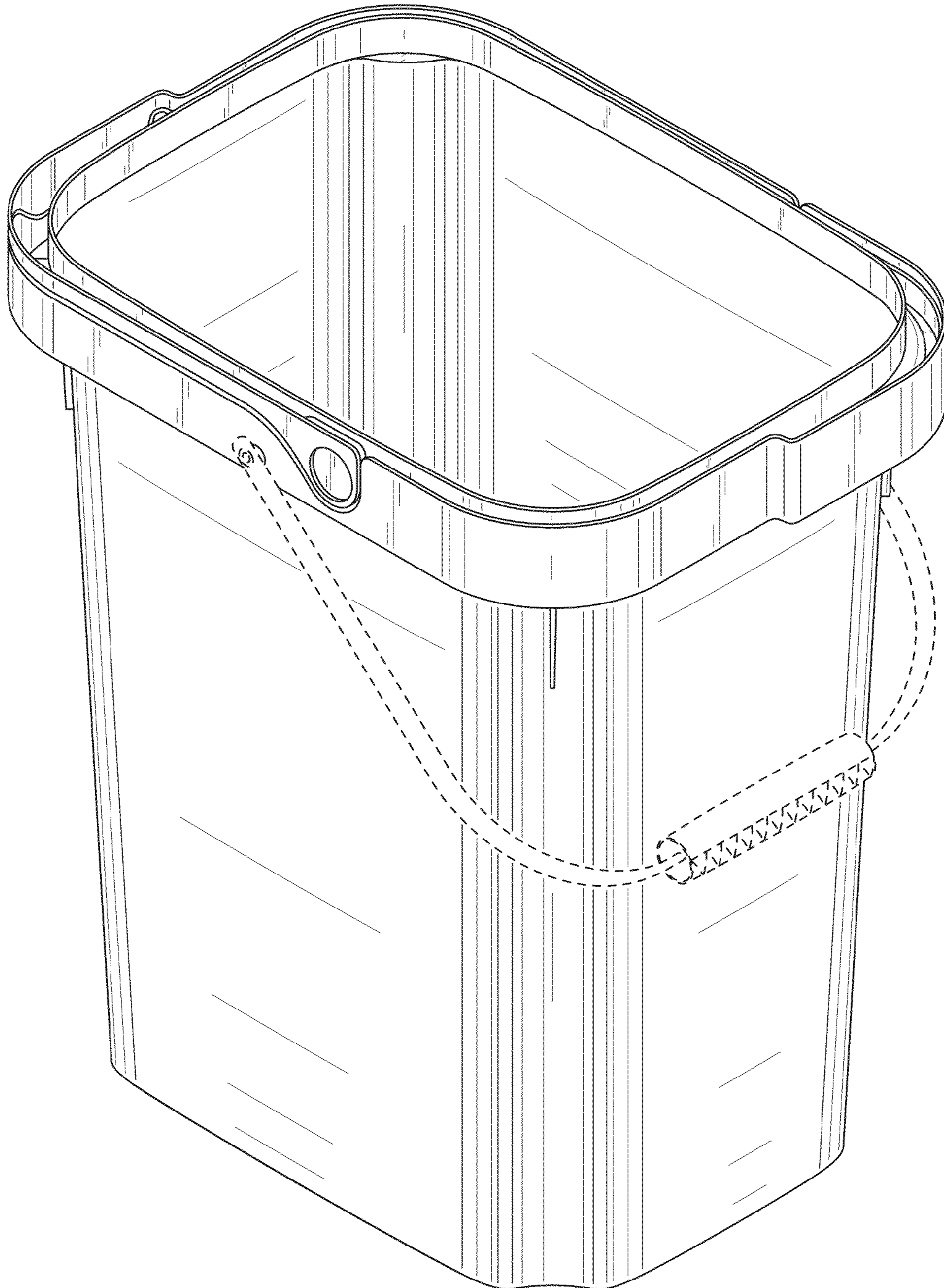


FIG. 2

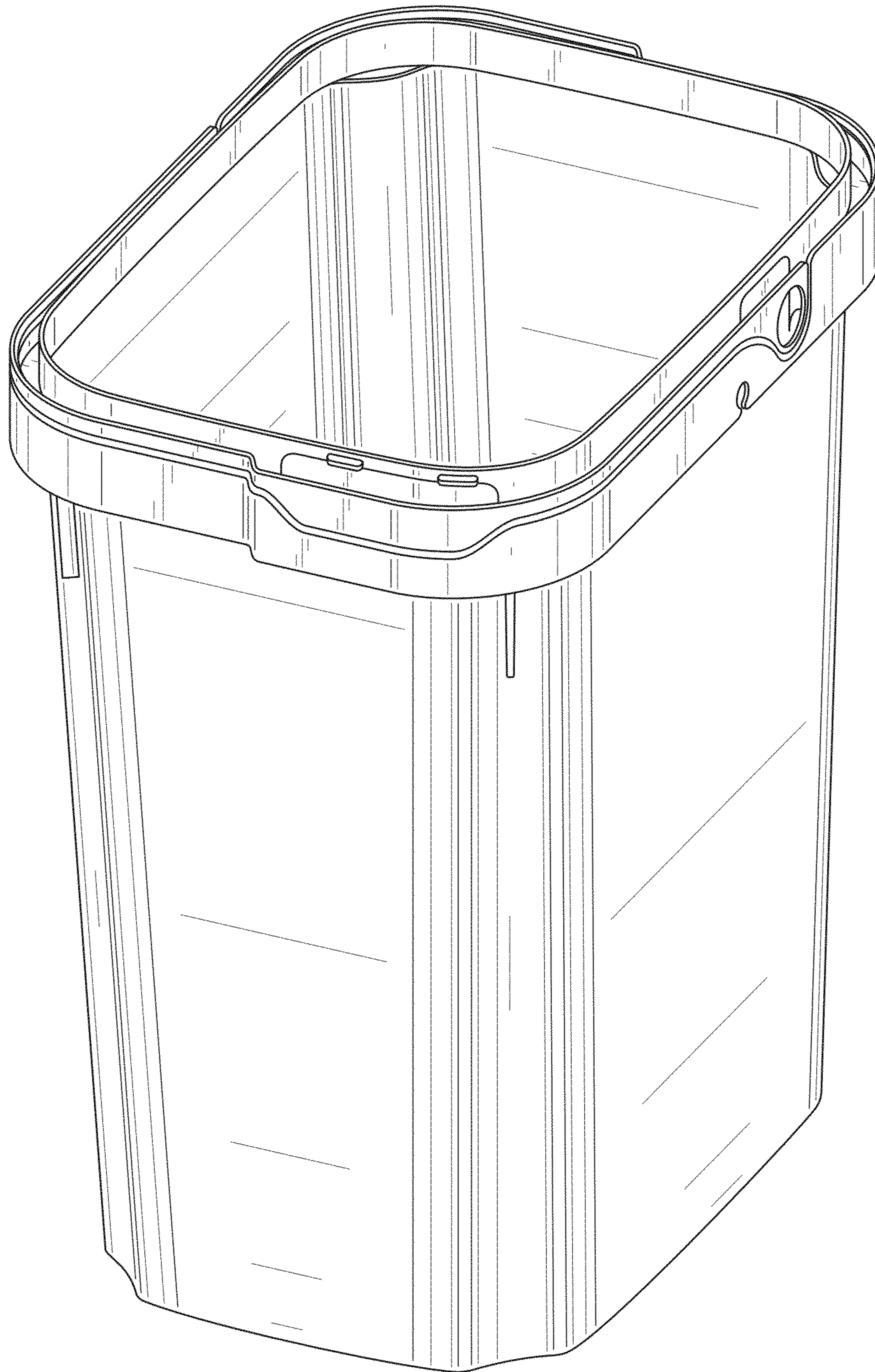


FIG. 3

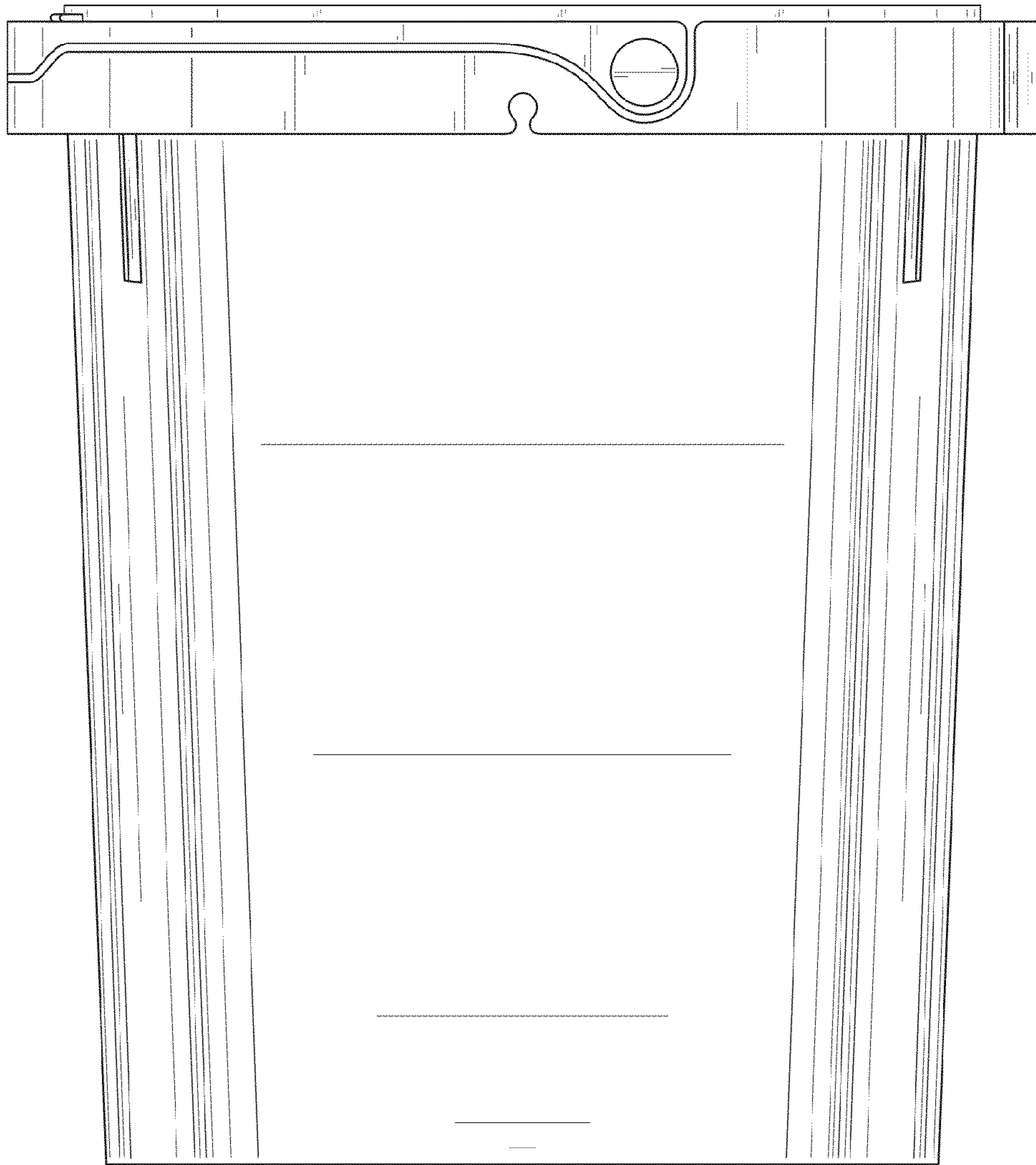


FIG. 4

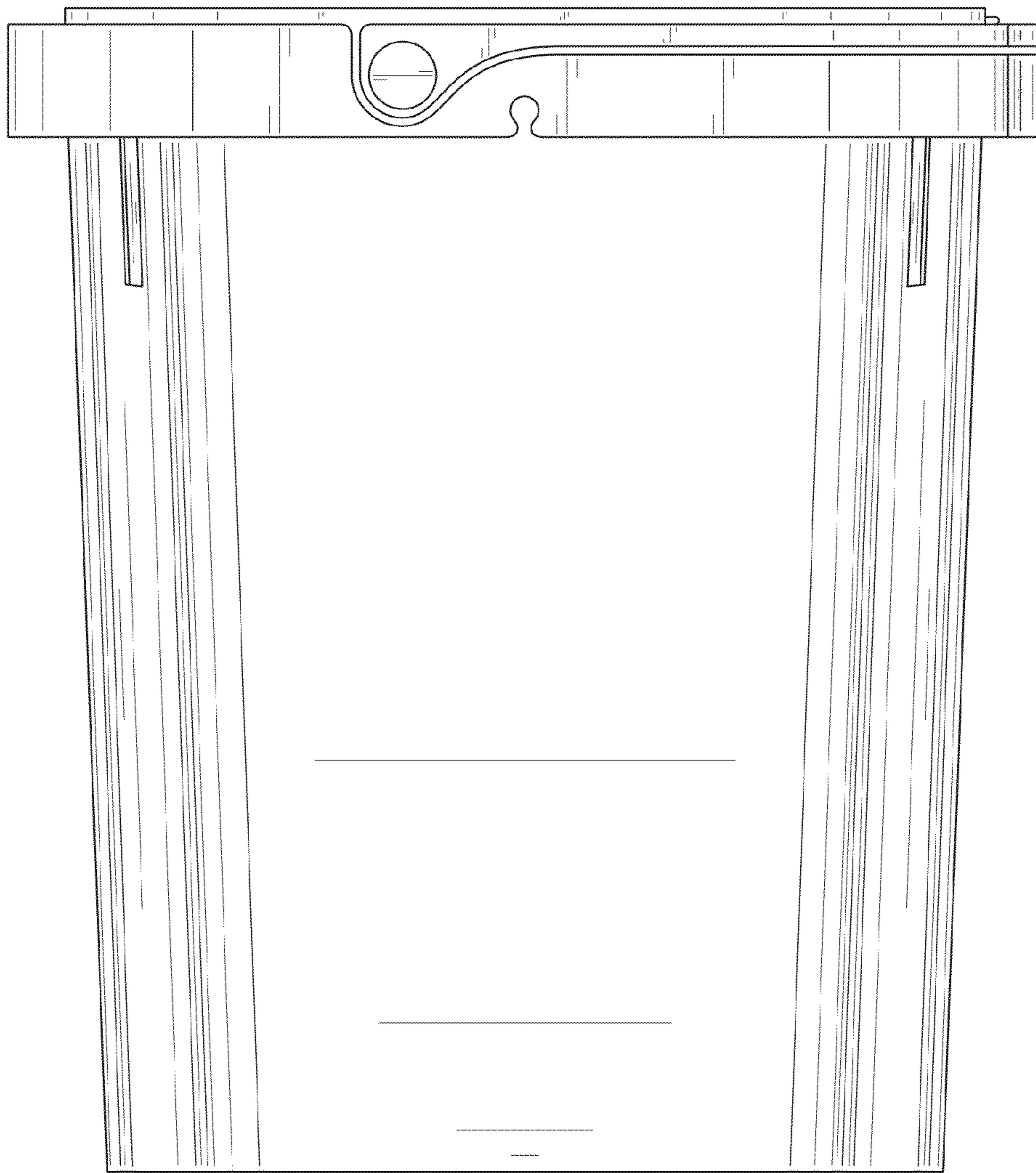


FIG. 5

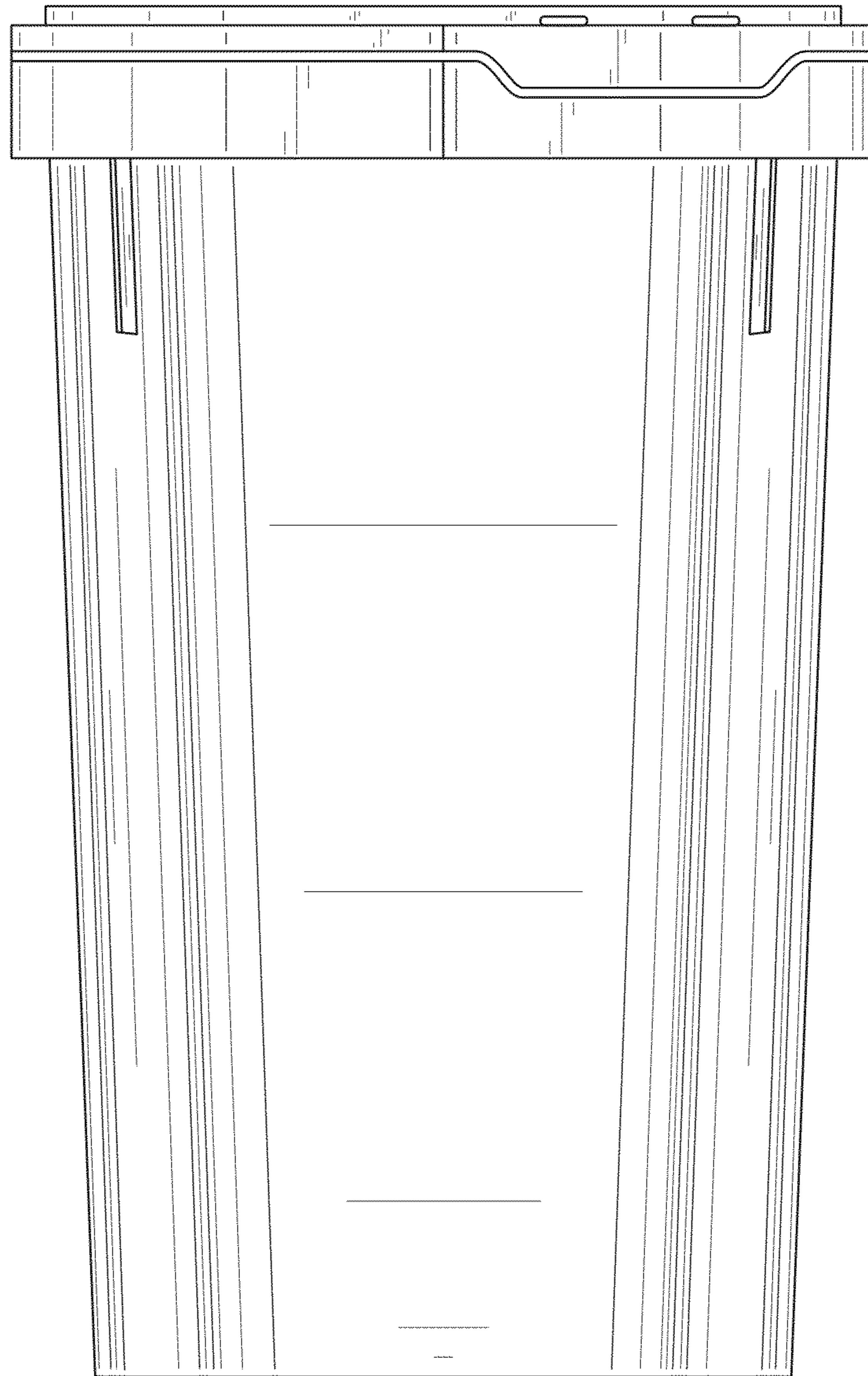


FIG. 6

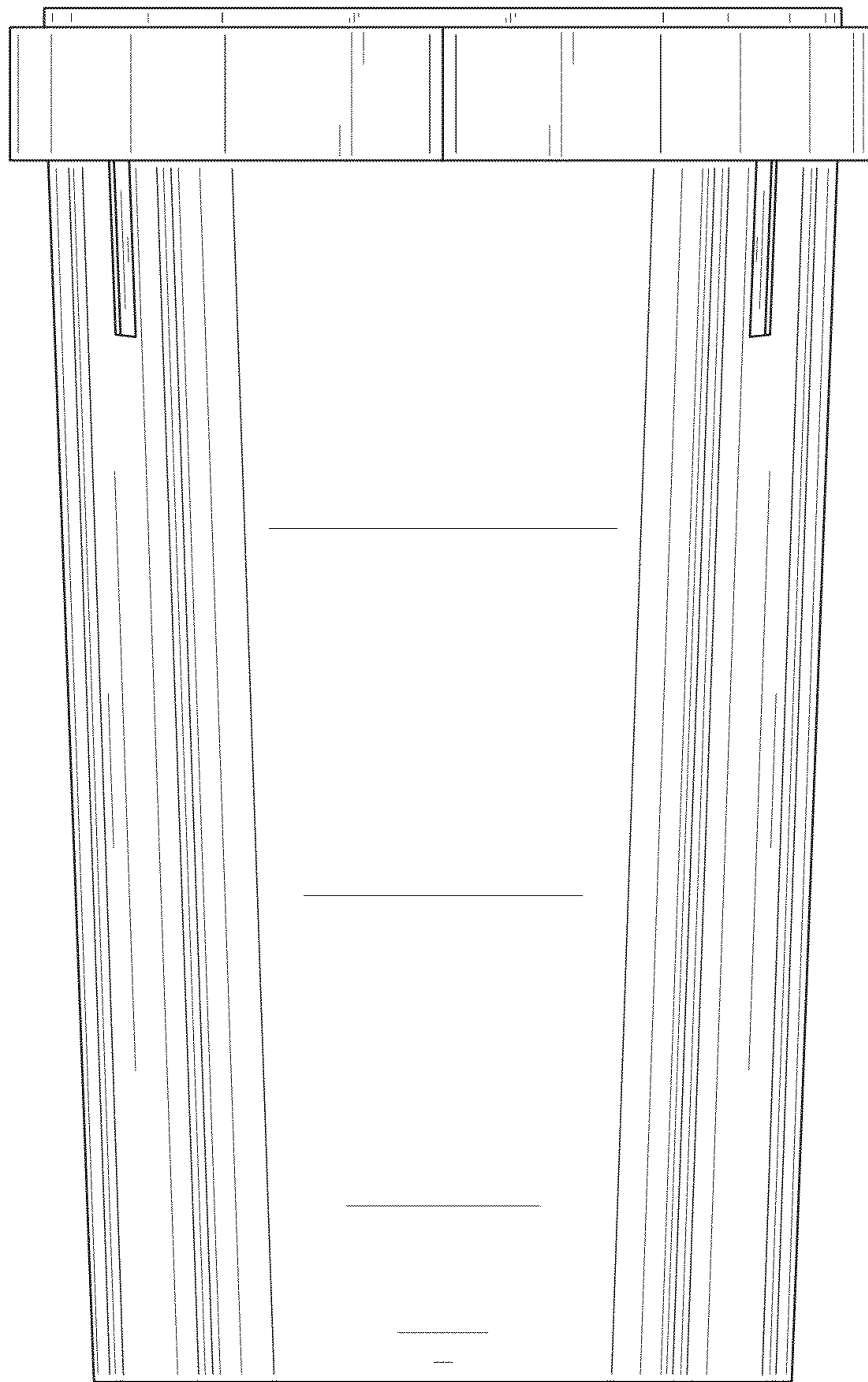


FIG. 7

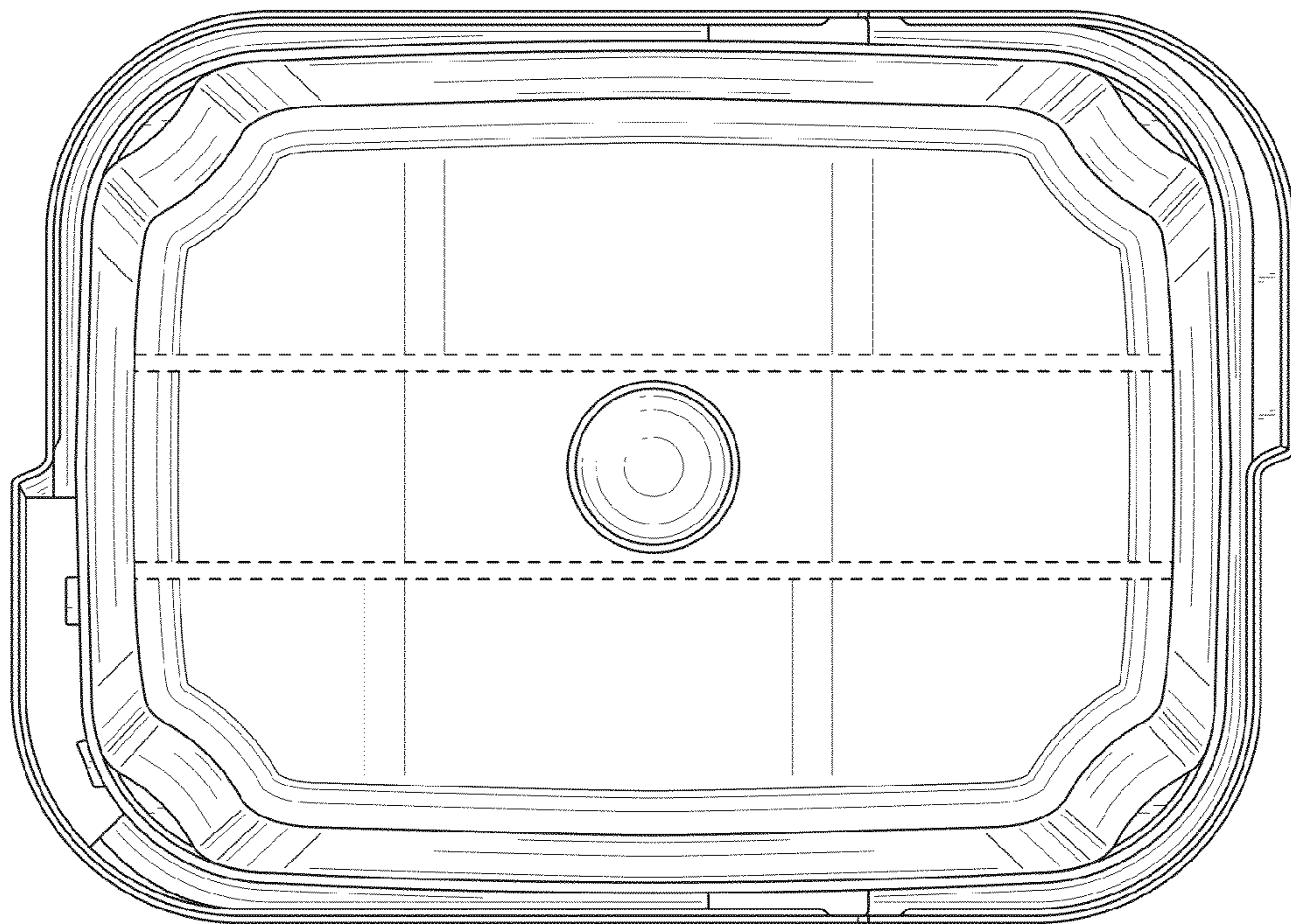


FIG. 8

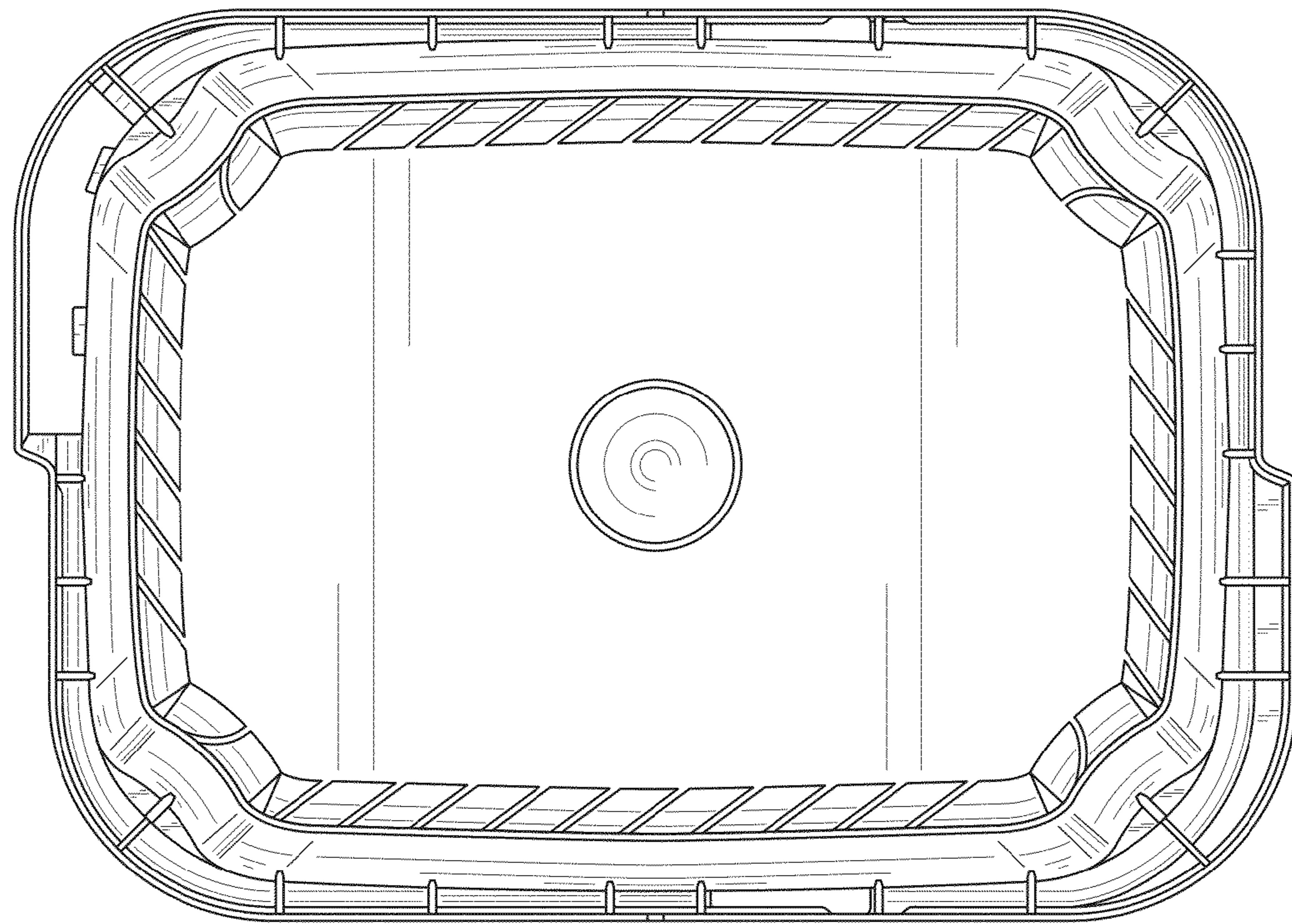


FIG. 9

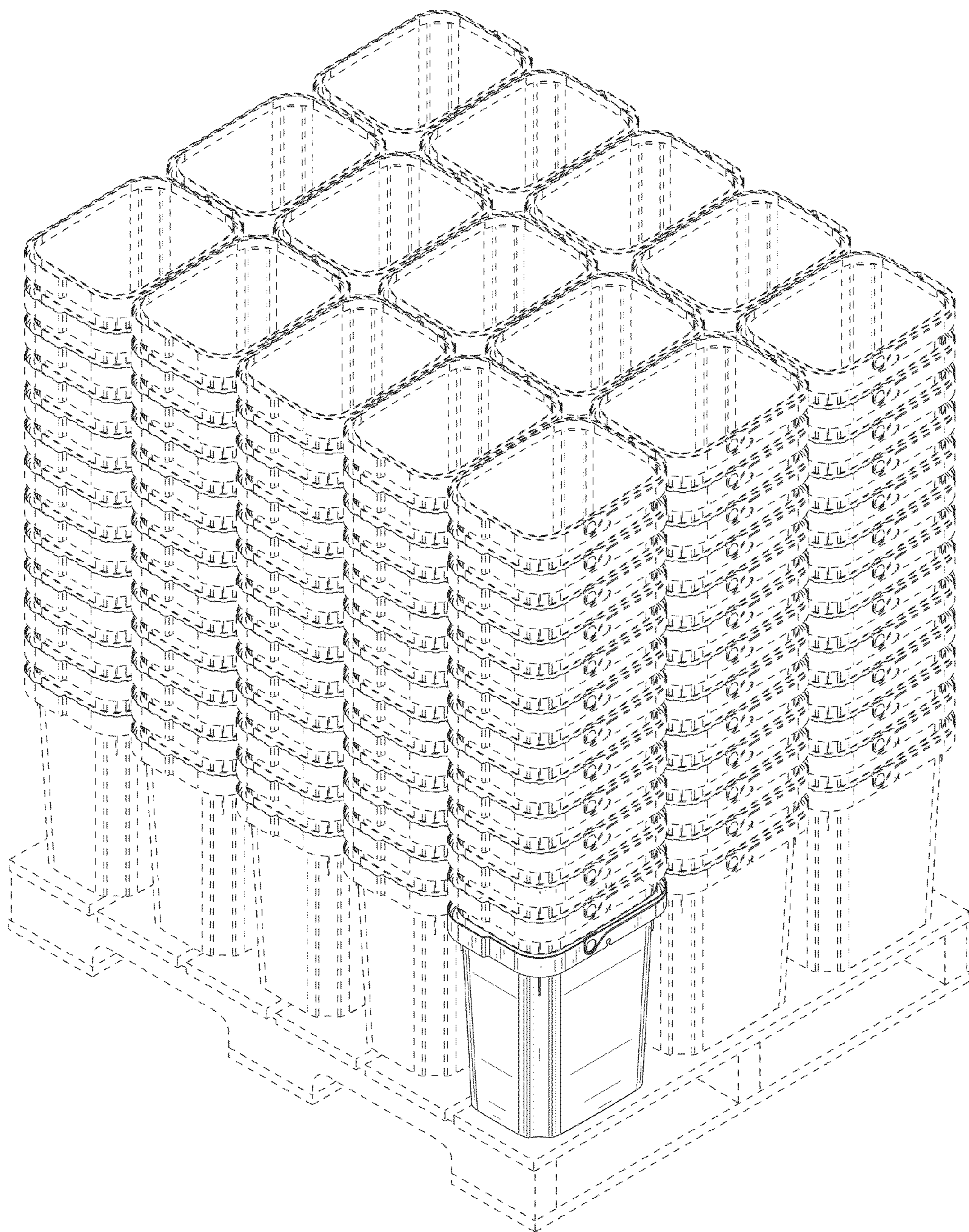


FIG. 10

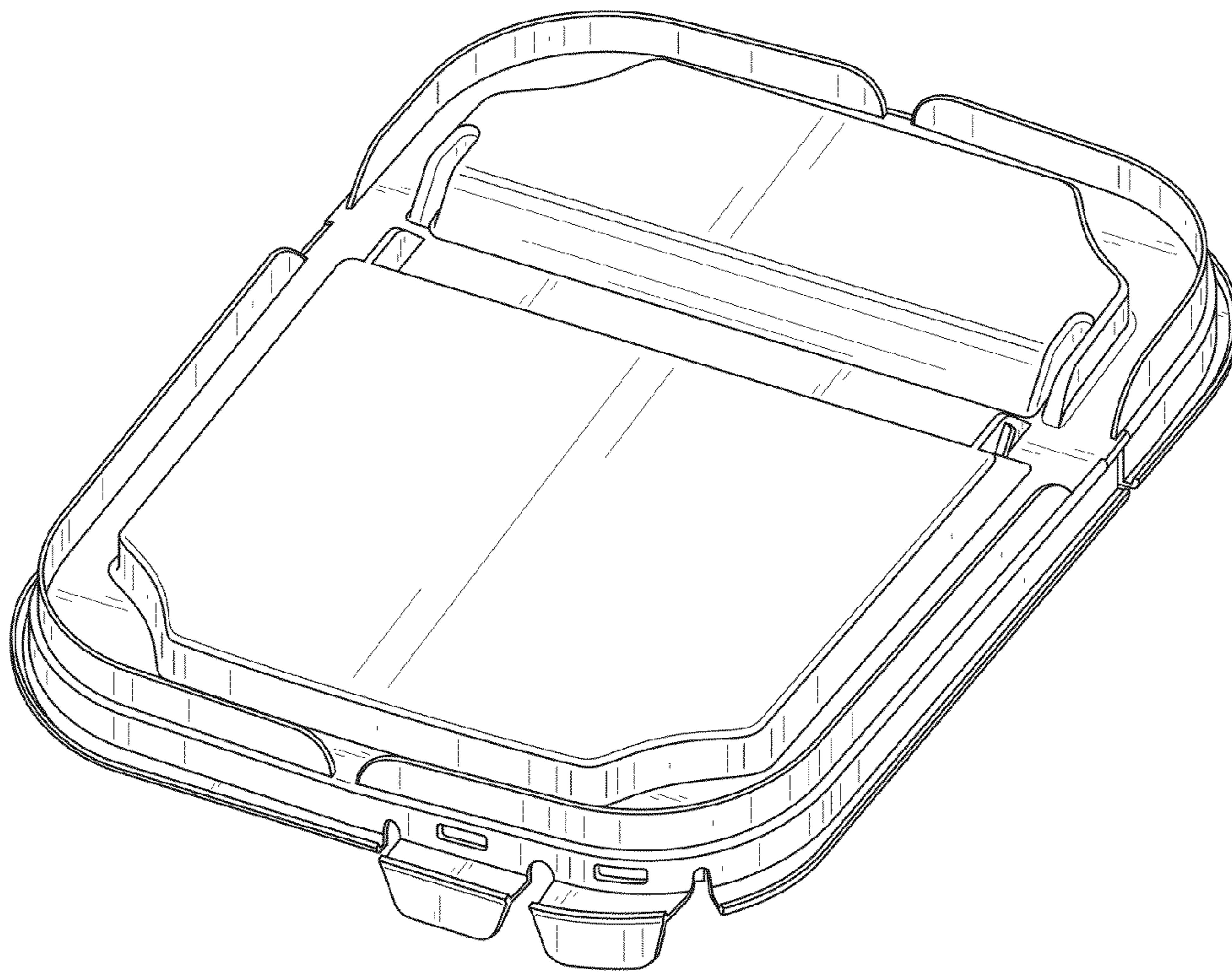


FIG. 11

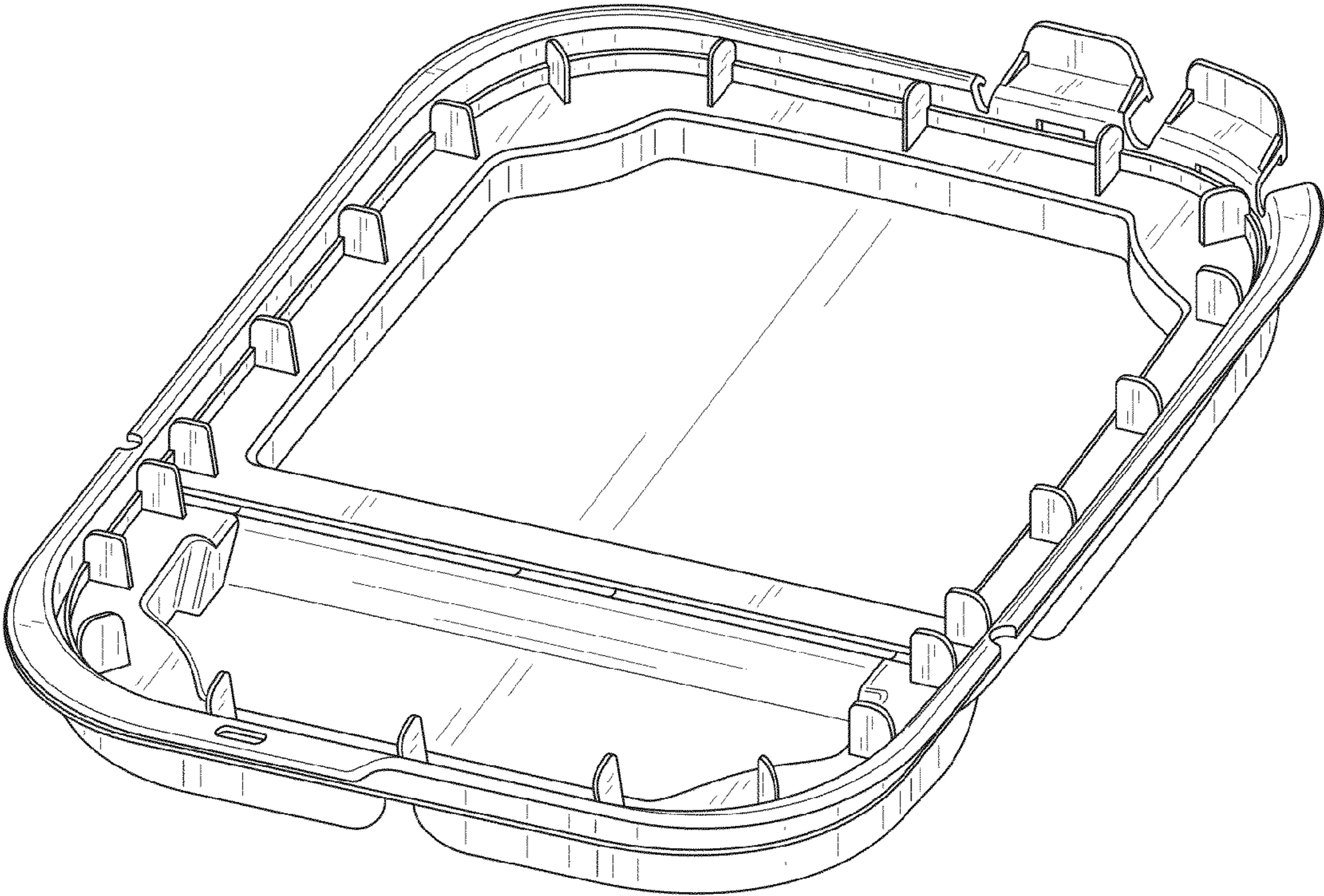


FIG. 12

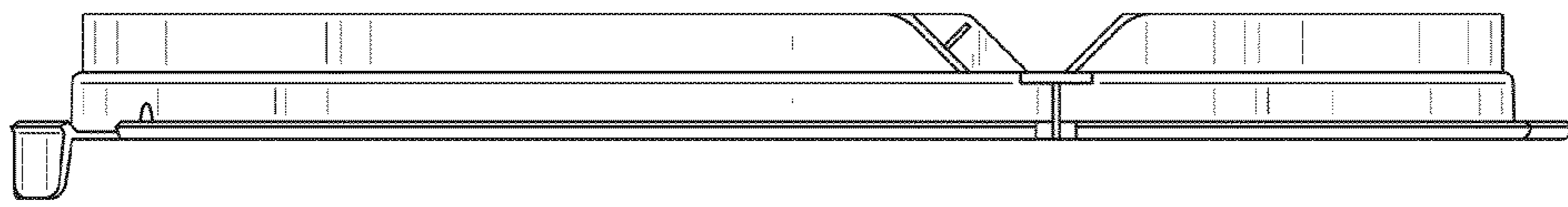


FIG. 13

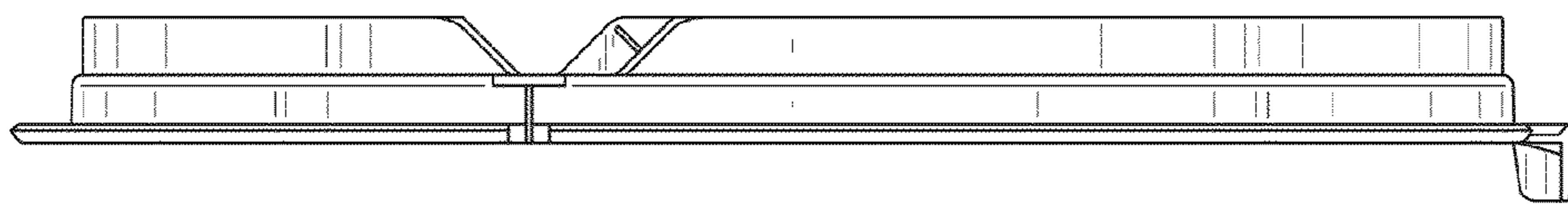


FIG. 14

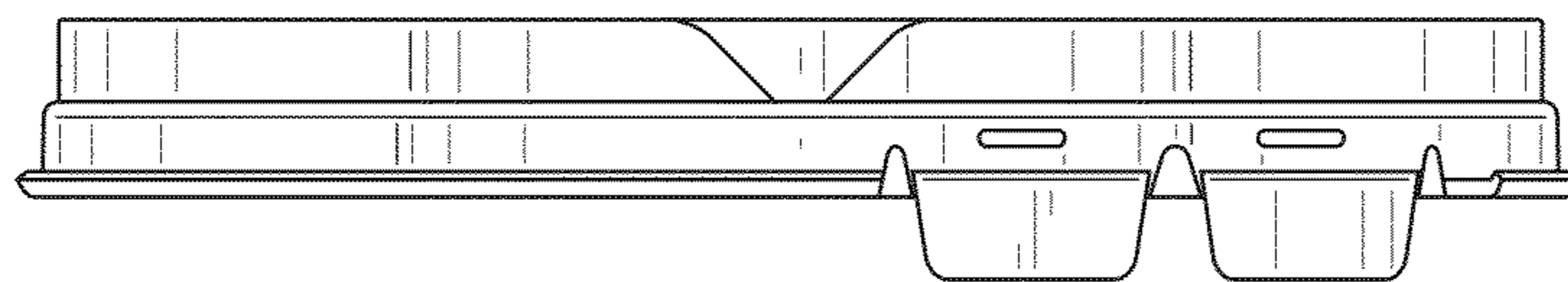


FIG. 15

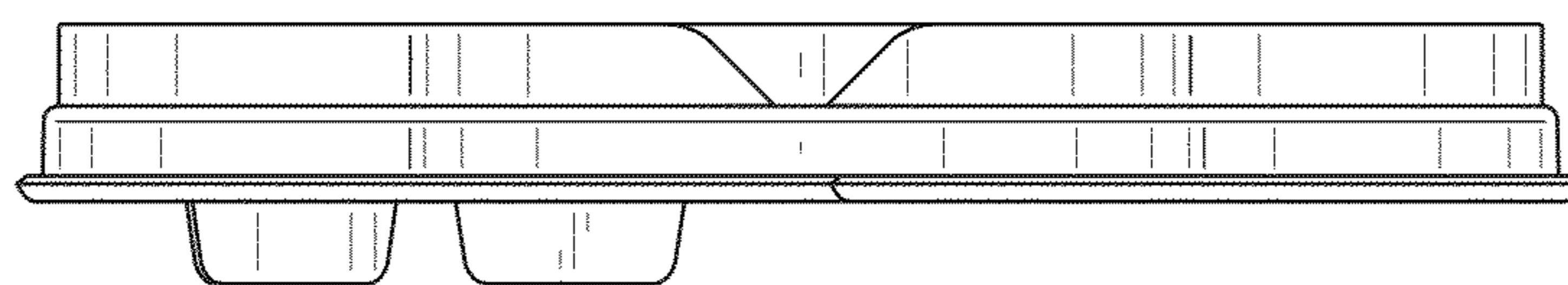


FIG. 16

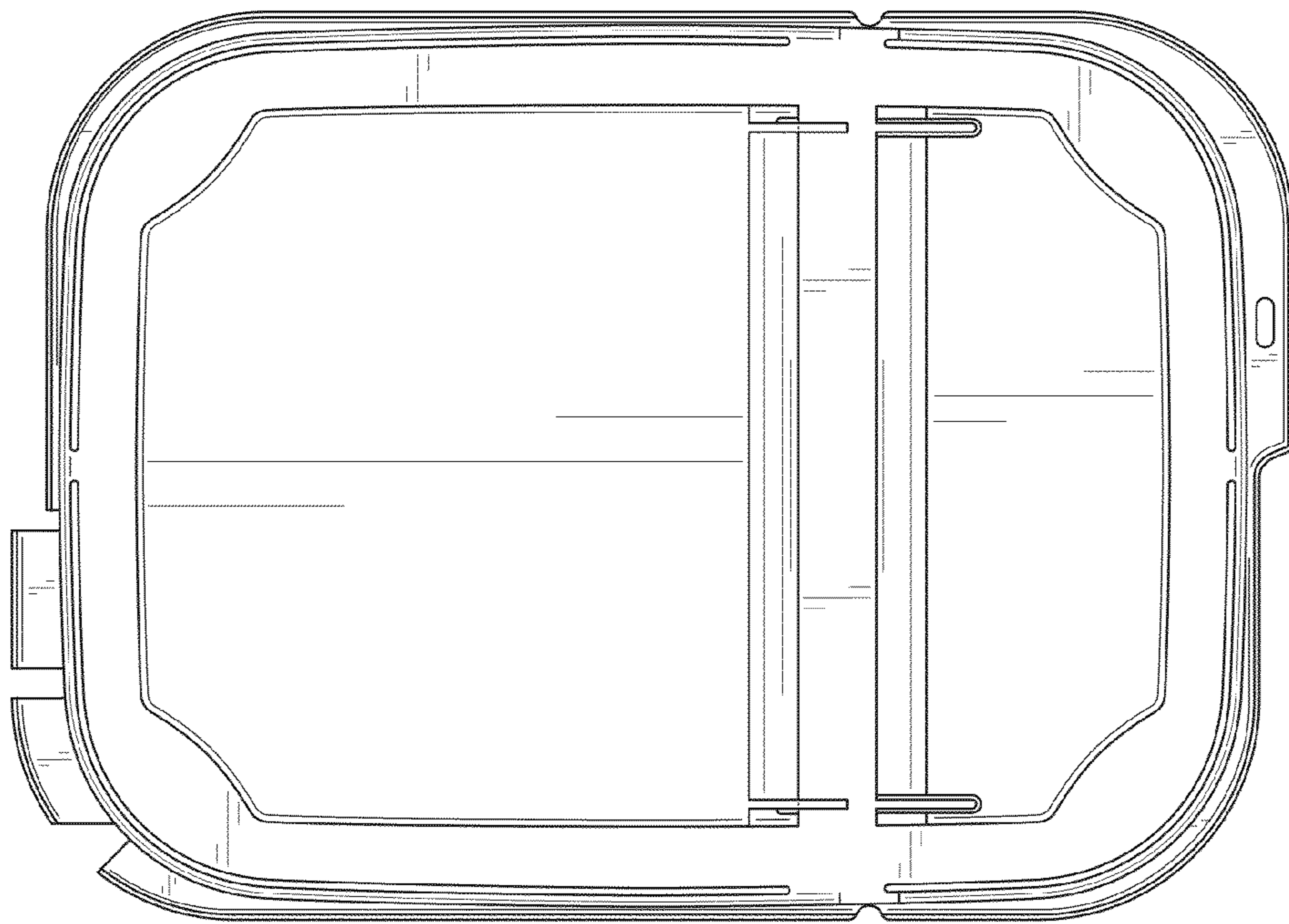


FIG. 17

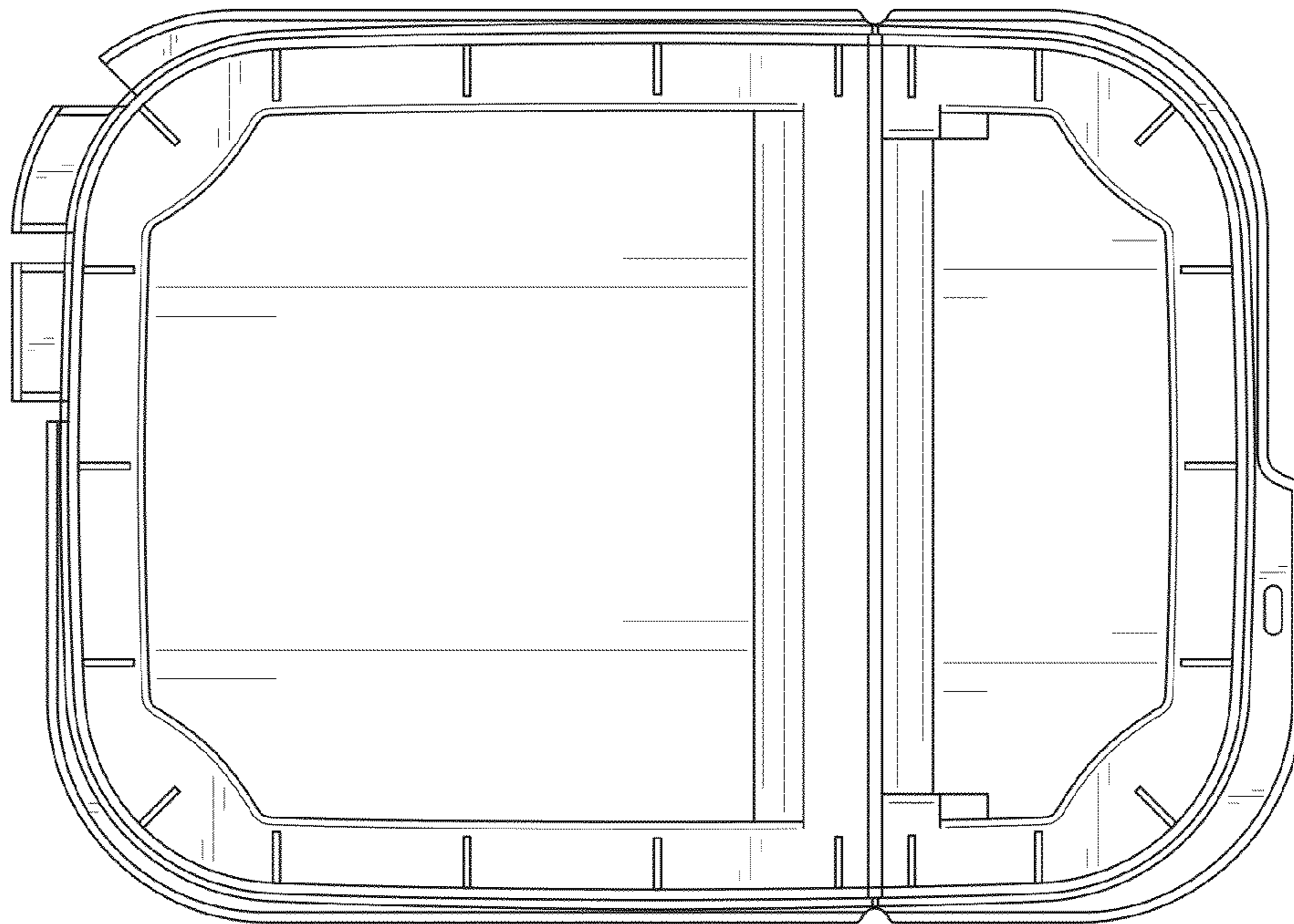


FIG. 18

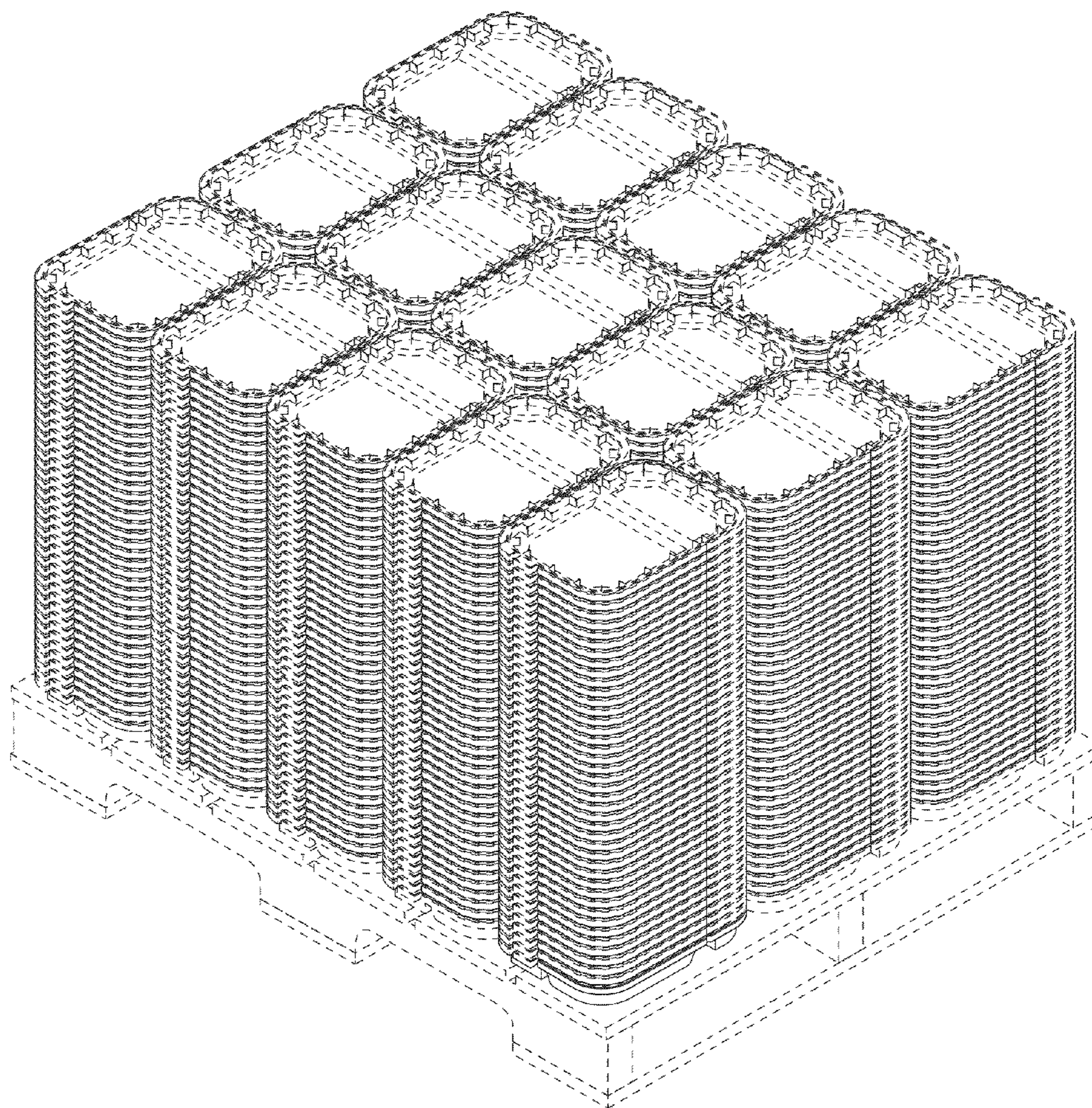


FIG. 19

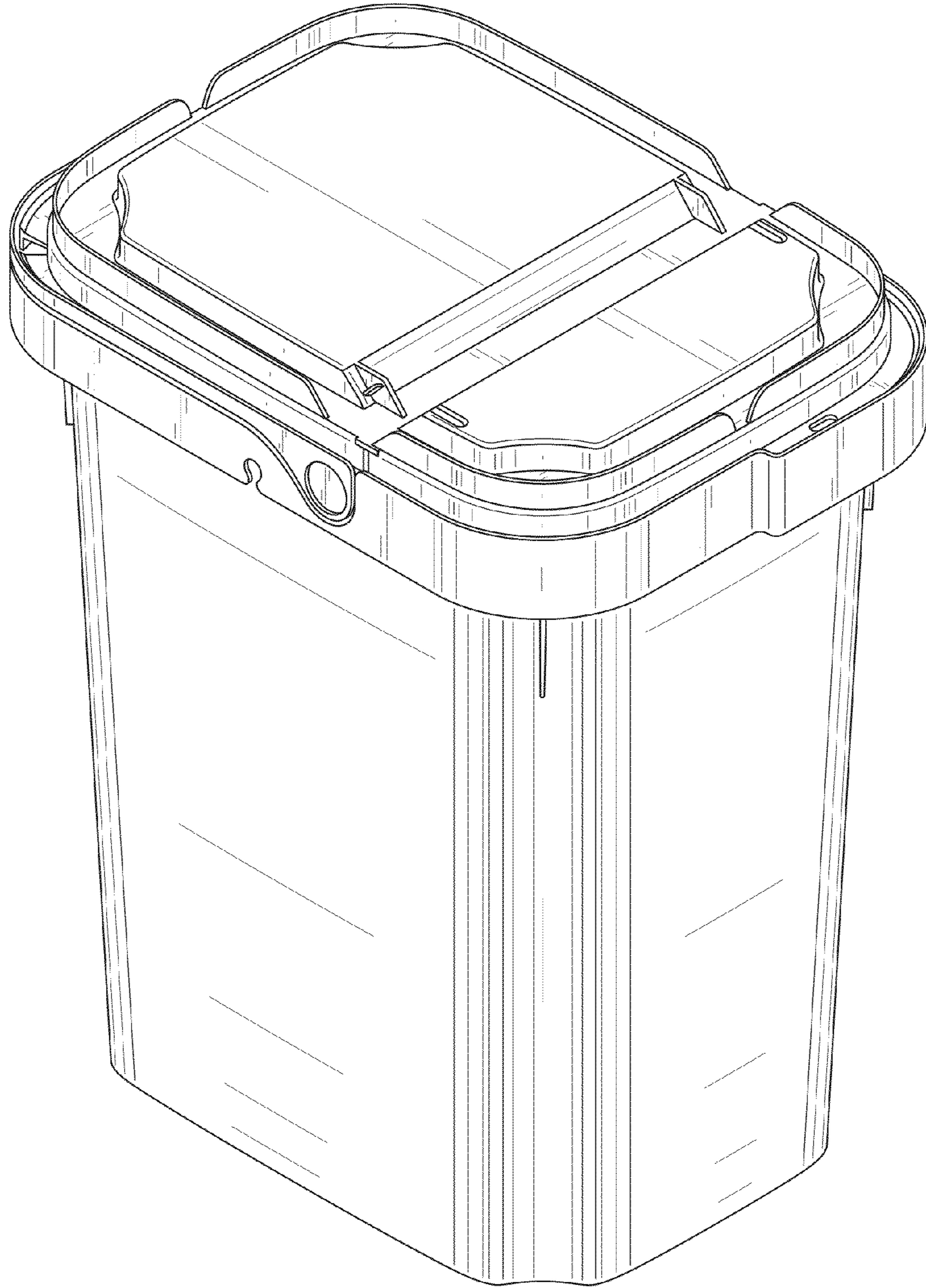


FIG. 20

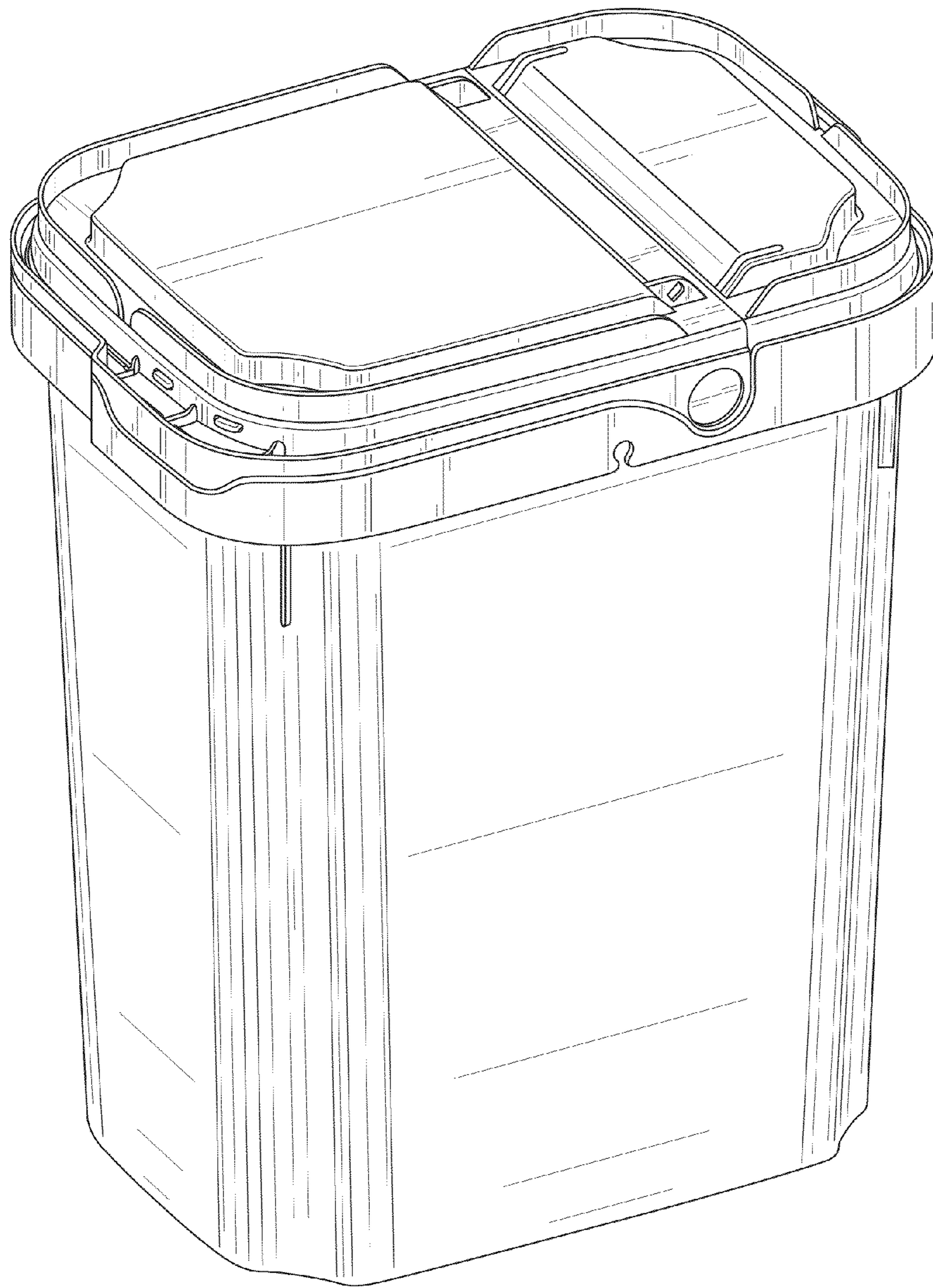


FIG. 21

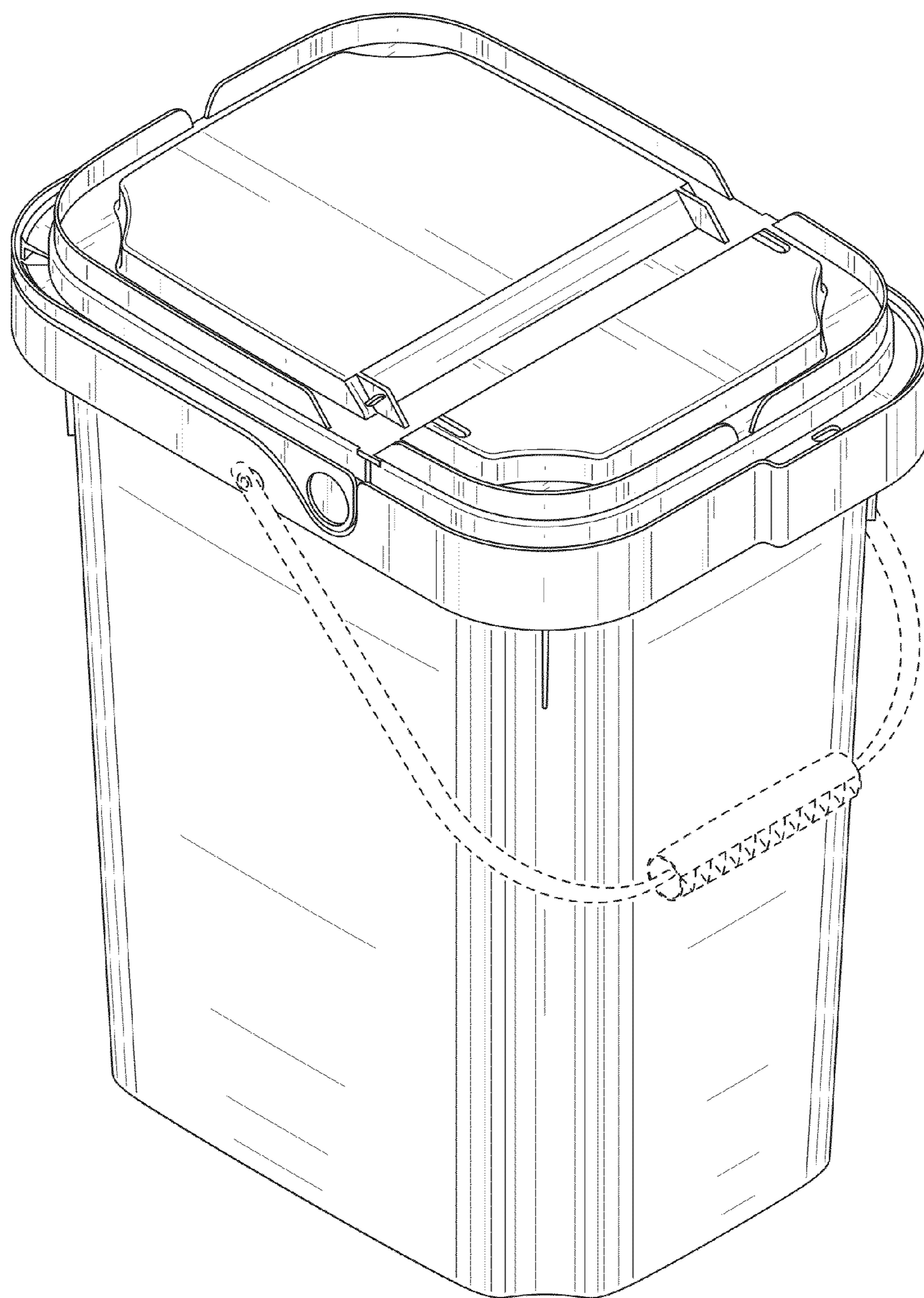


FIG. 22

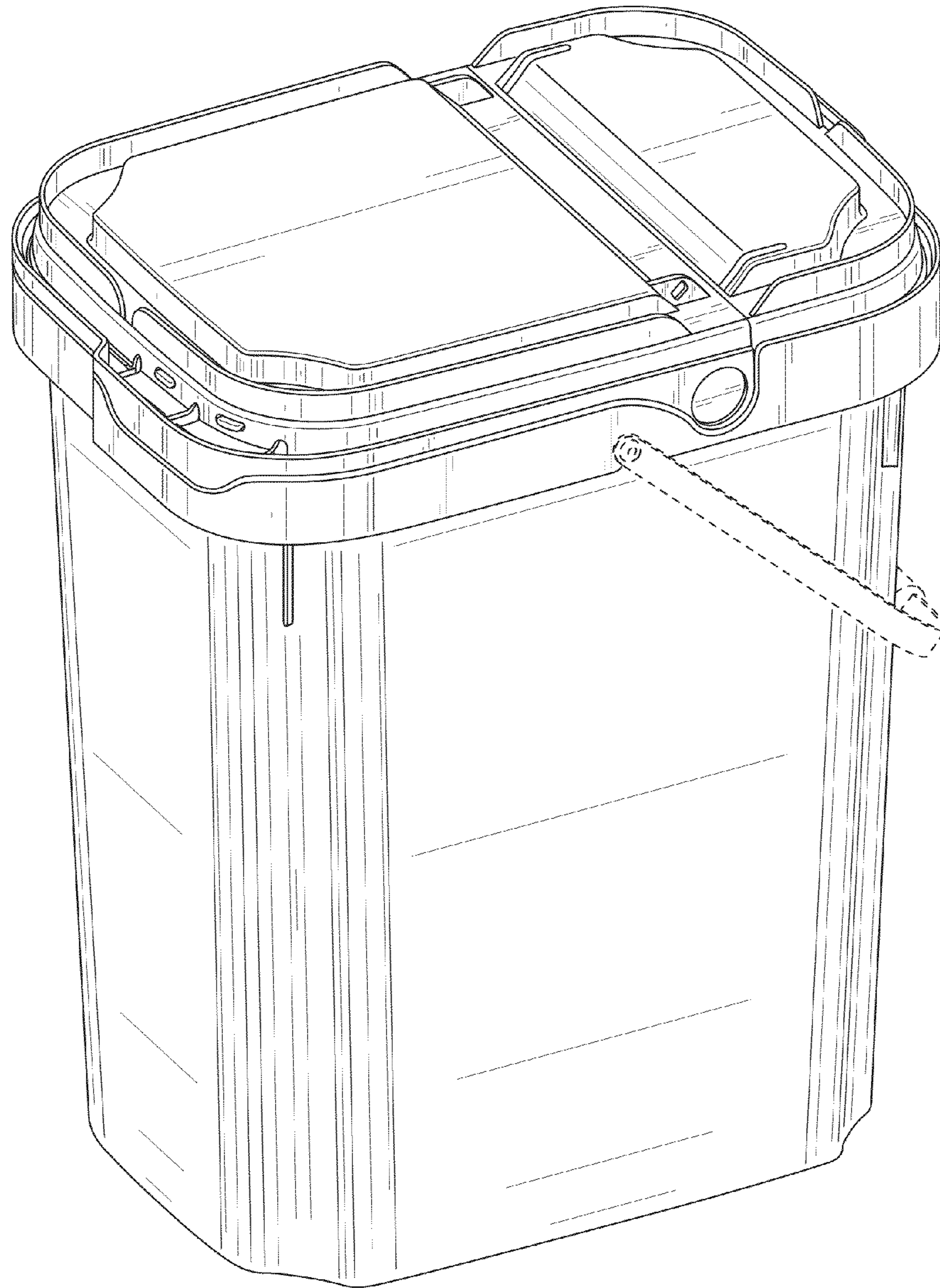


FIG. 23

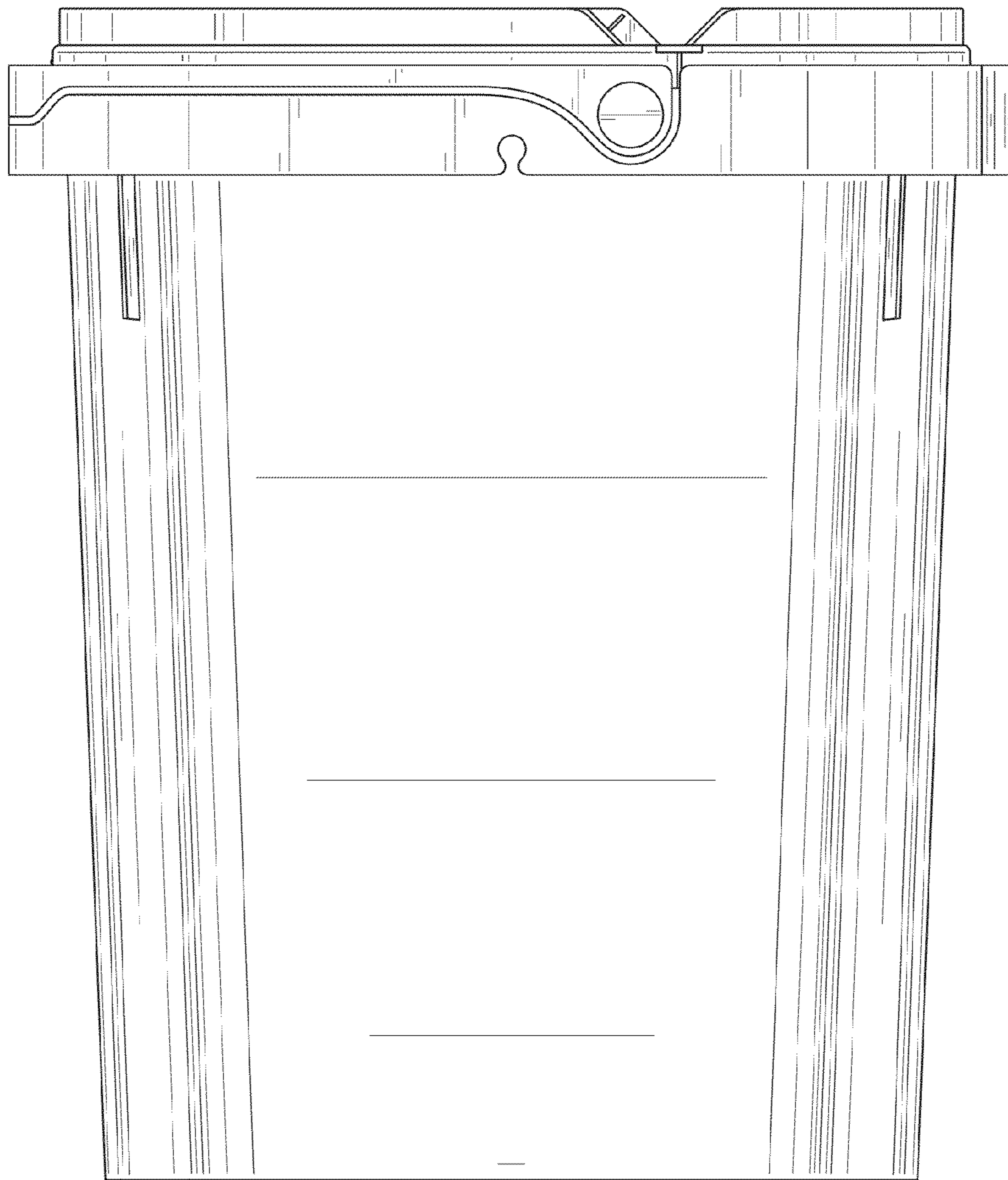


FIG. 24

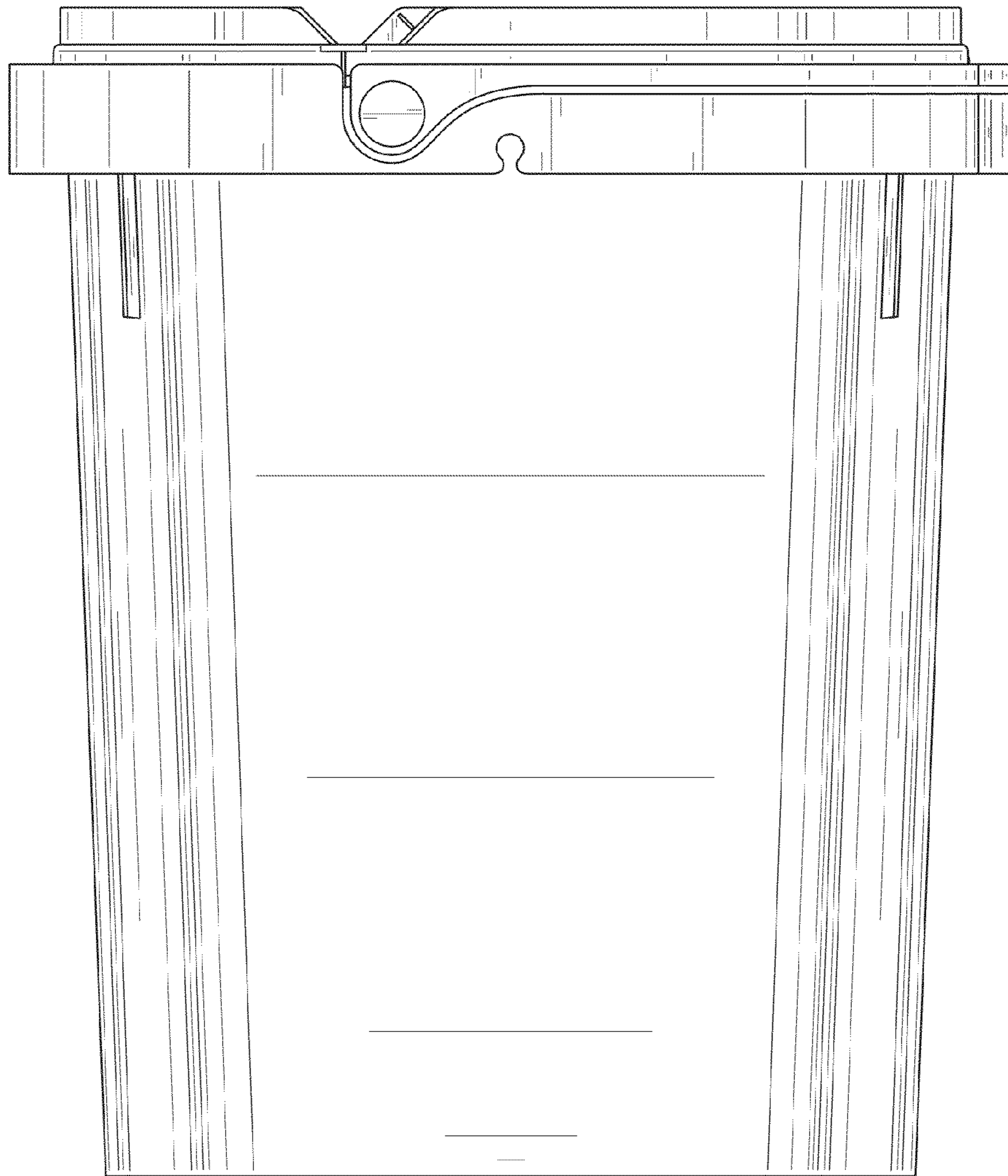


FIG. 25

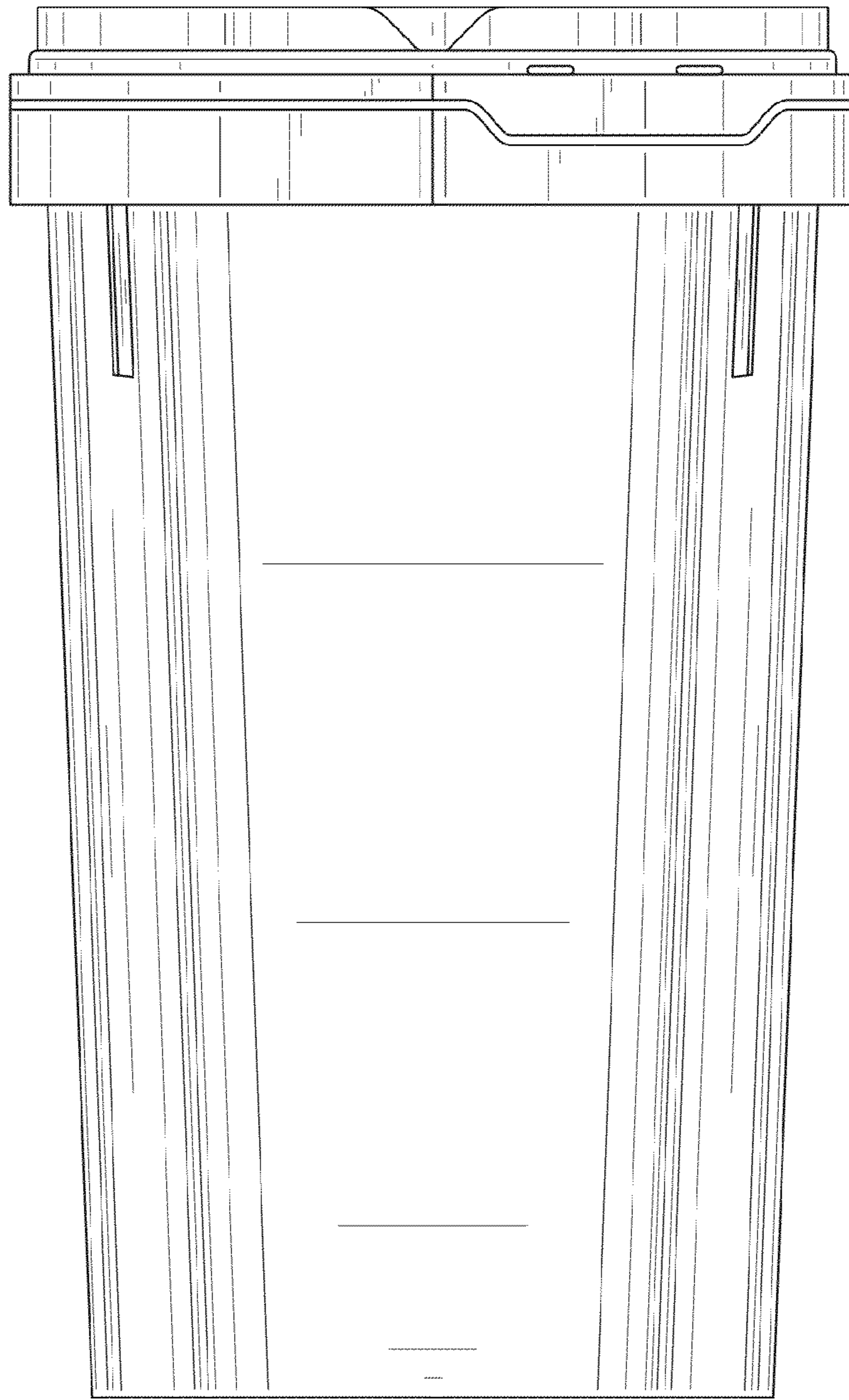


FIG. 26

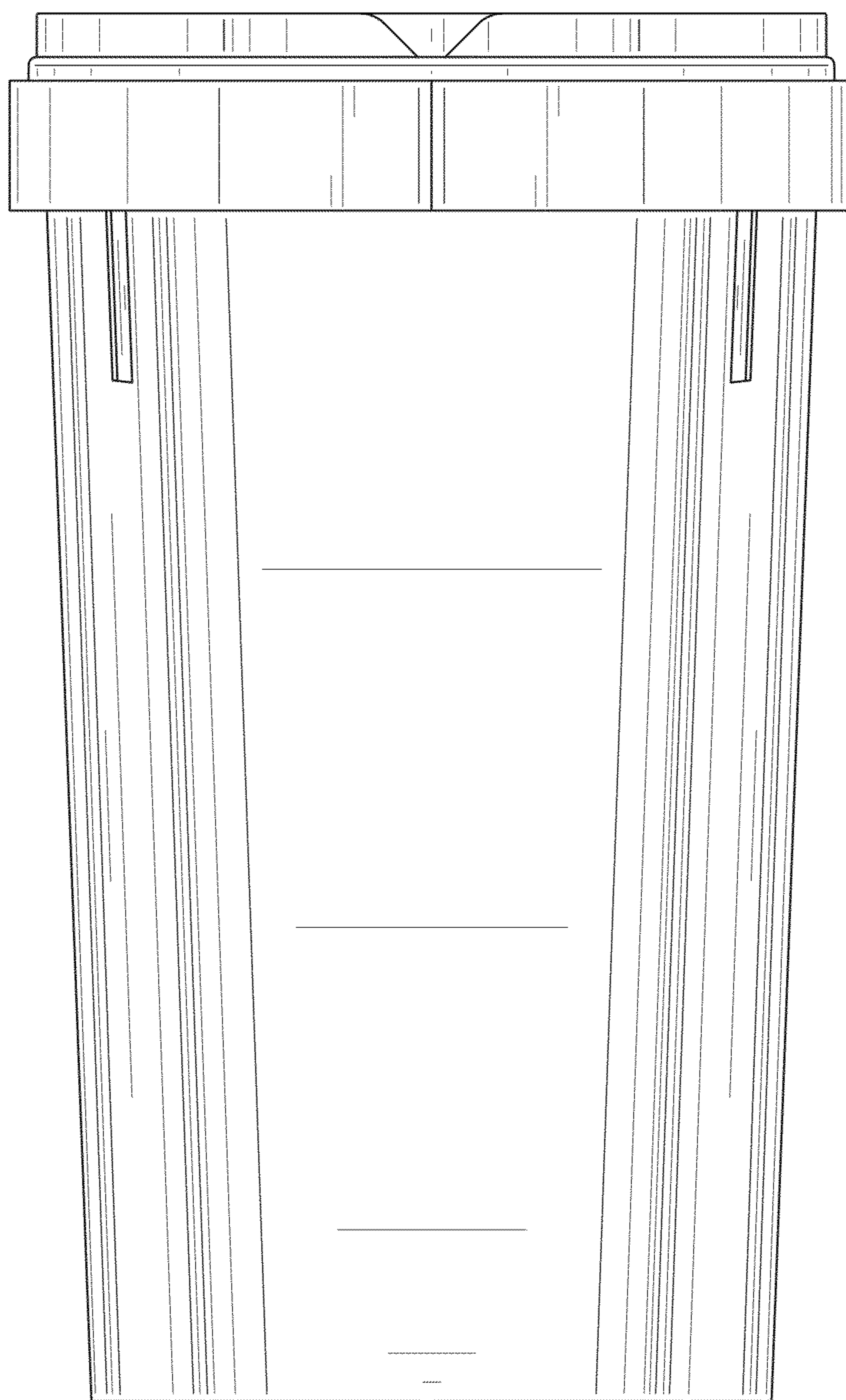


FIG. 27

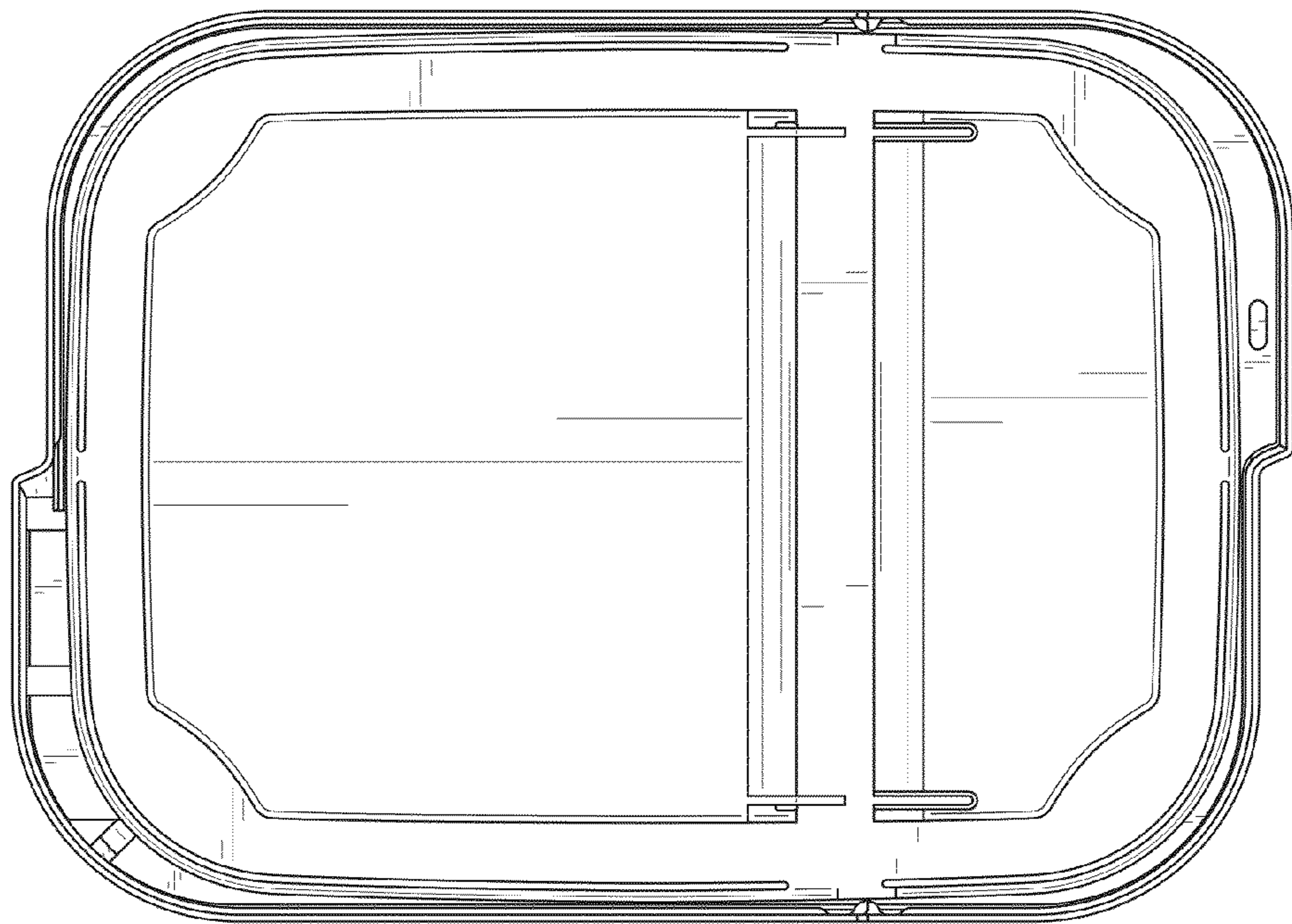


FIG. 28

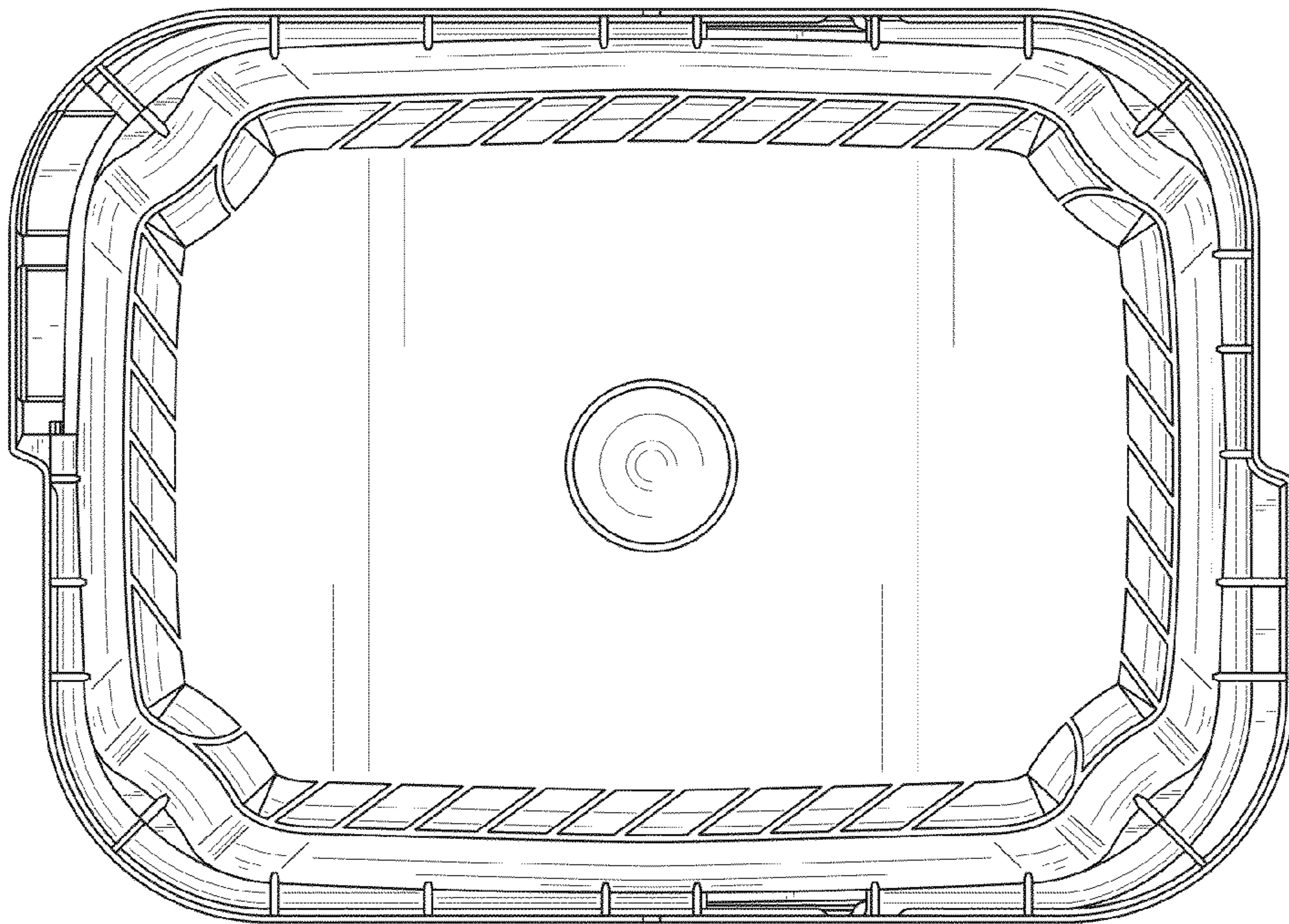


FIG. 29

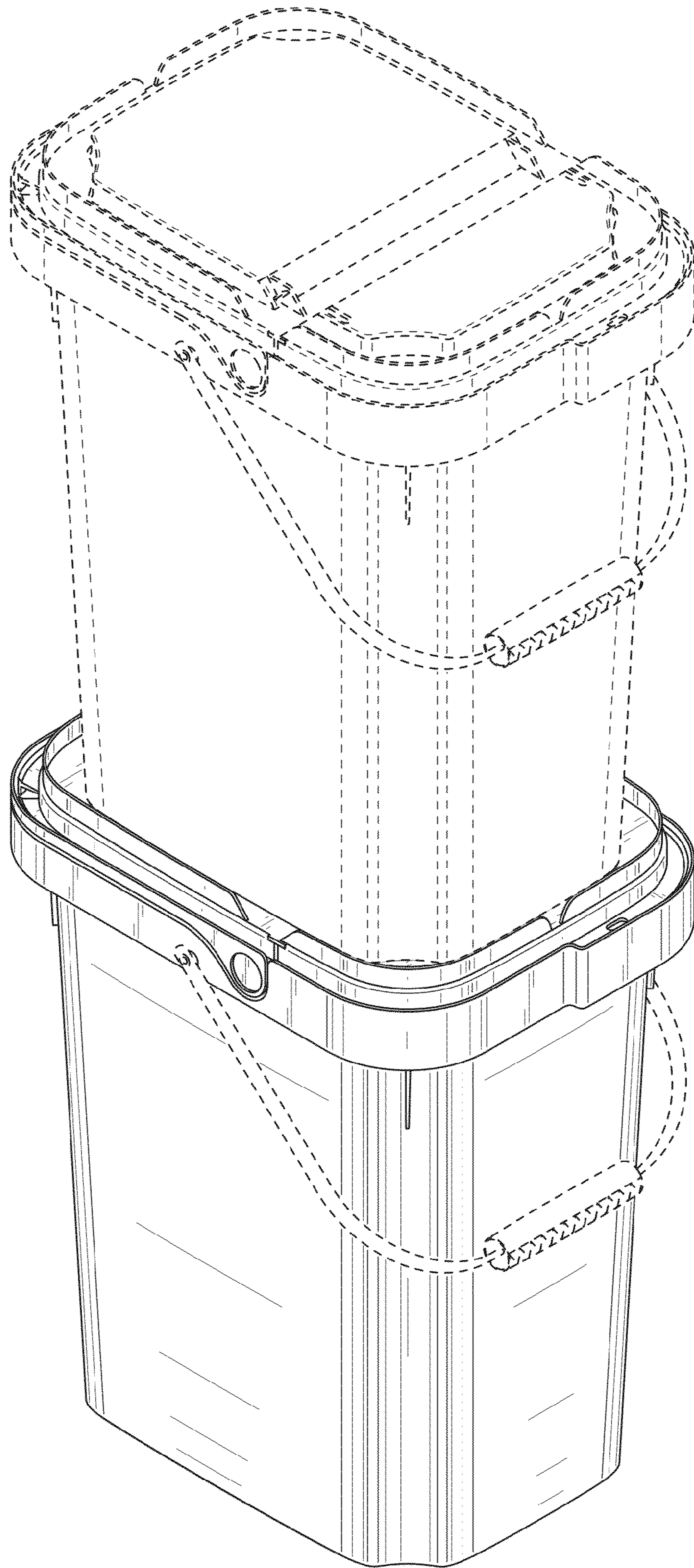


FIG. 30

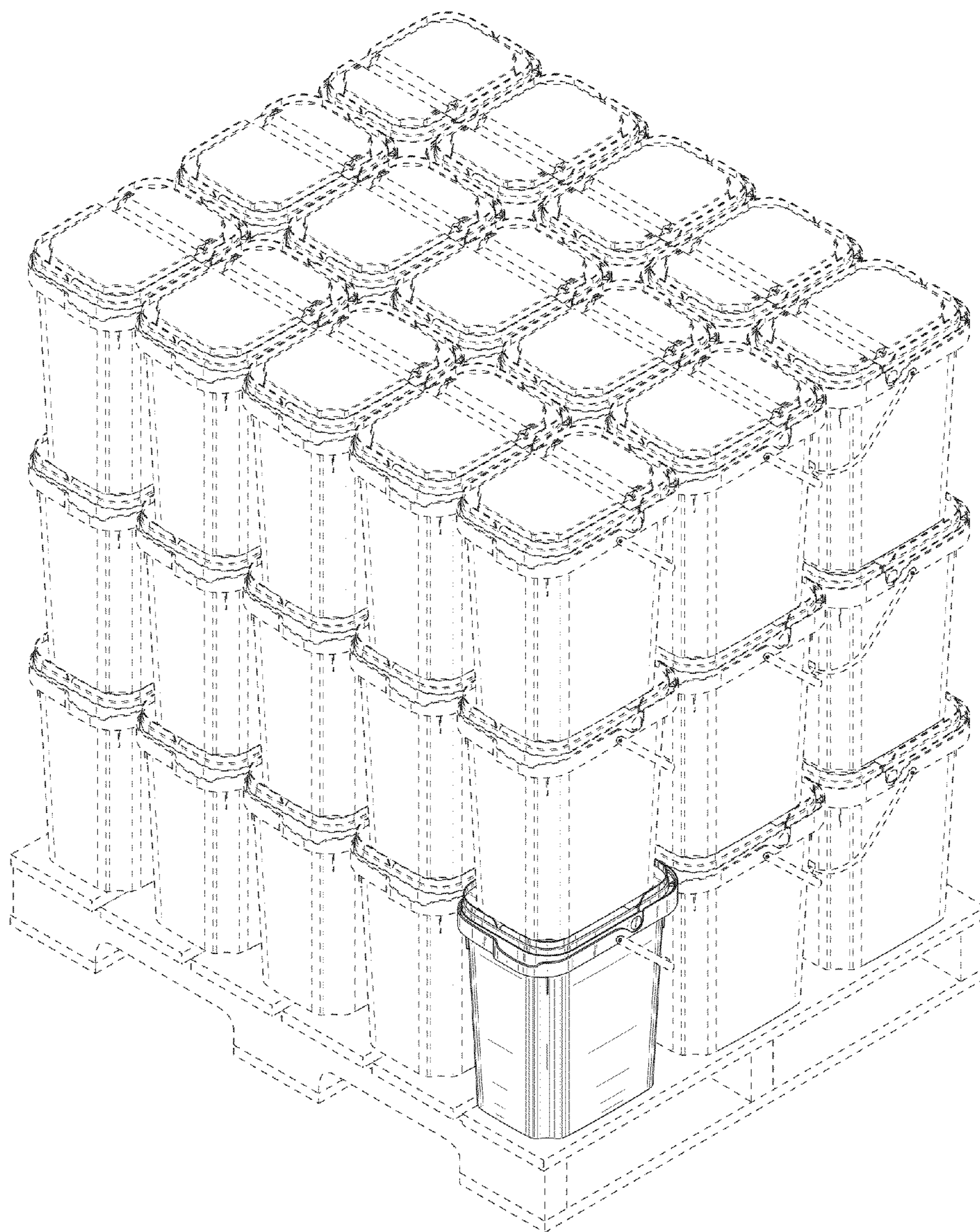


FIG. 31

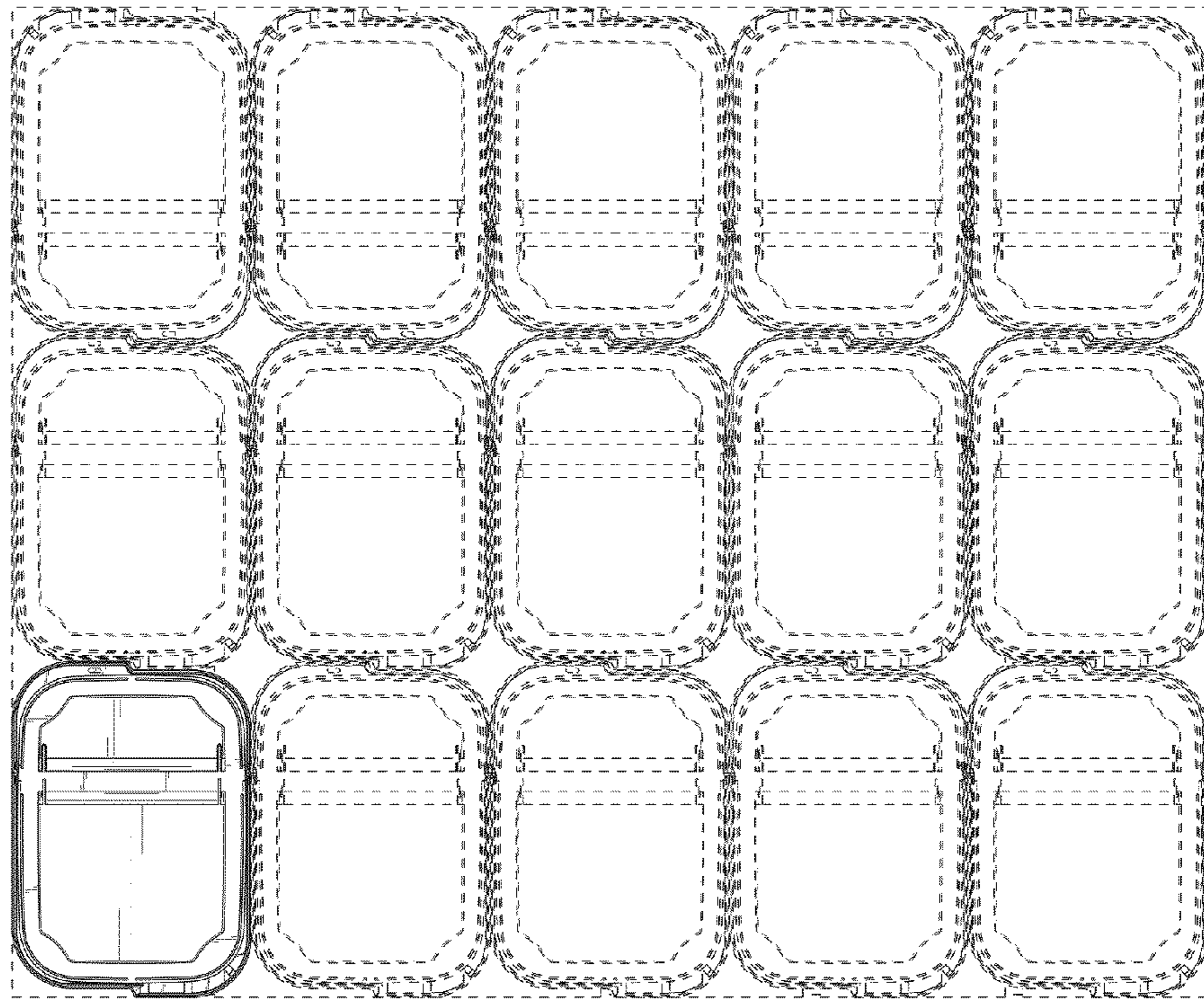


FIG. 32

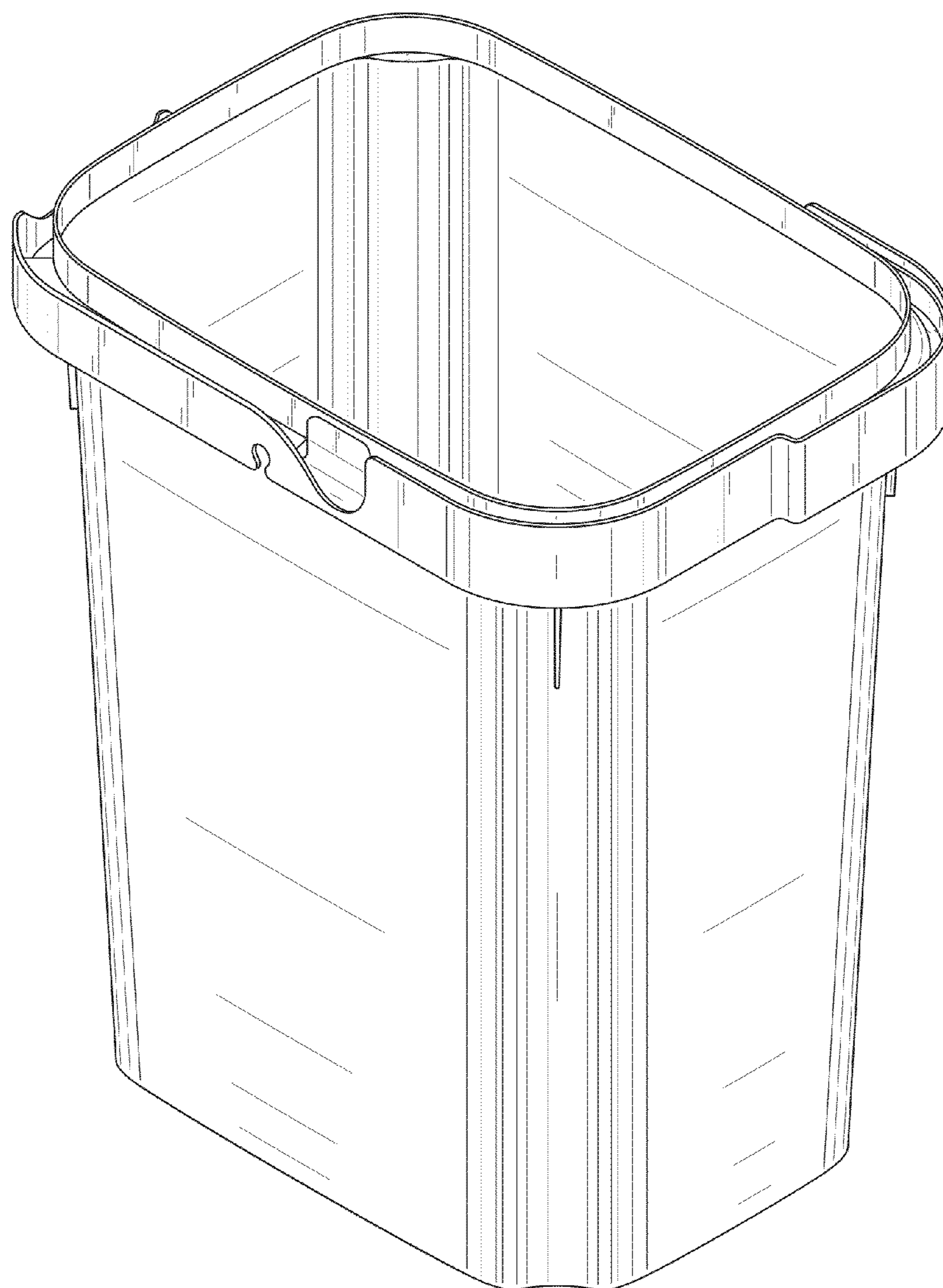


FIG. 33

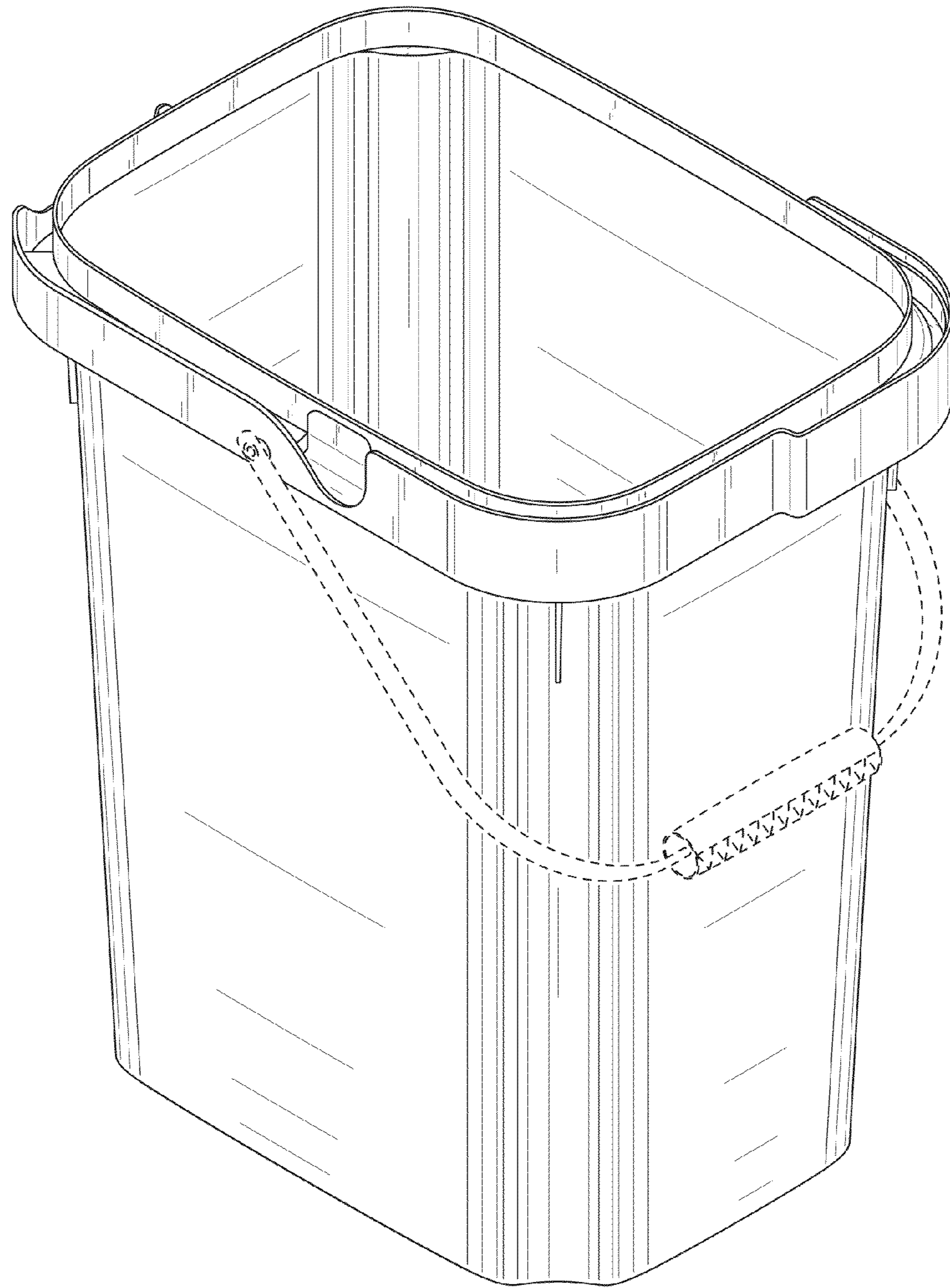


FIG. 34

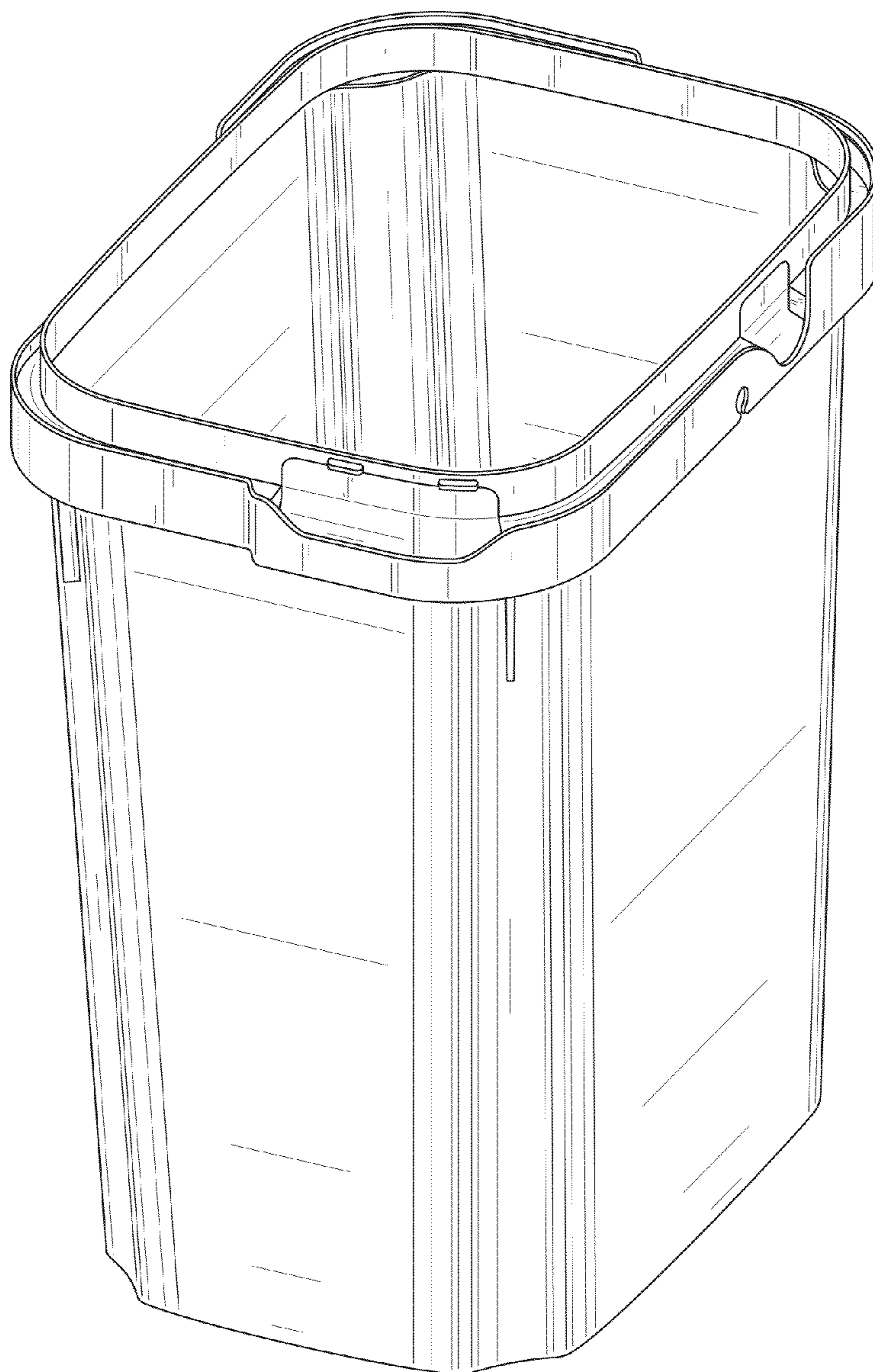


FIG. 35

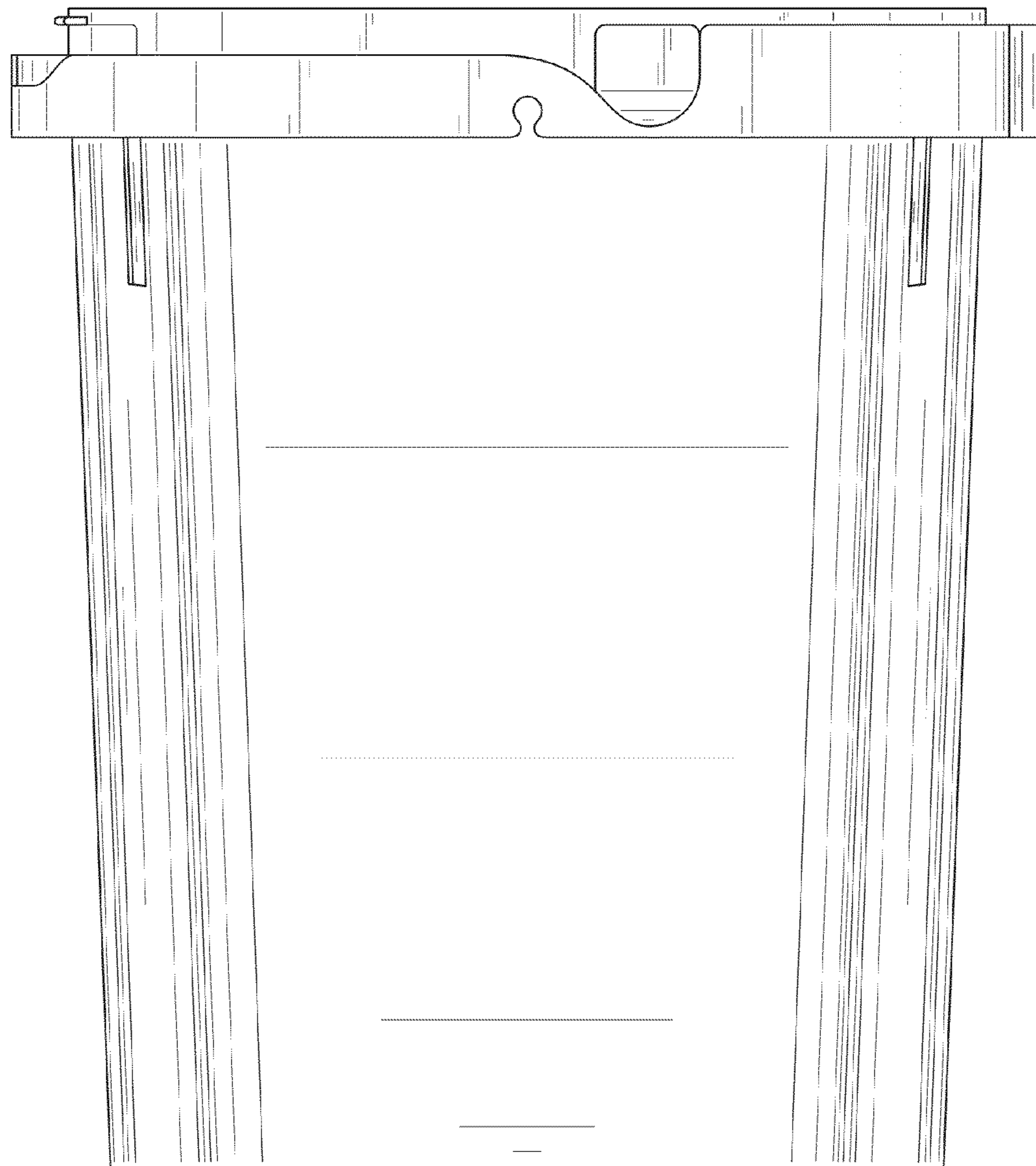


FIG. 36

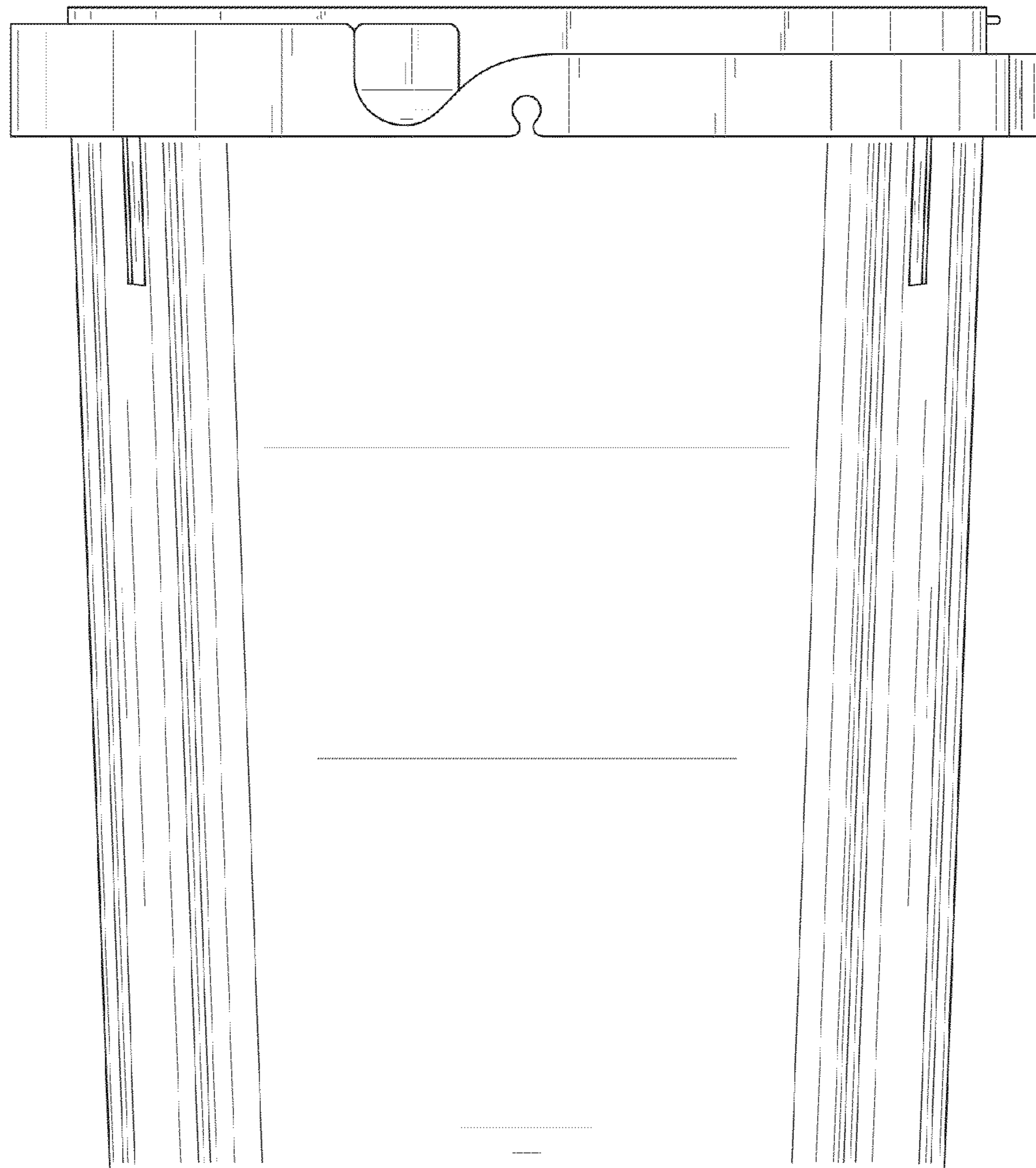


FIG. 37

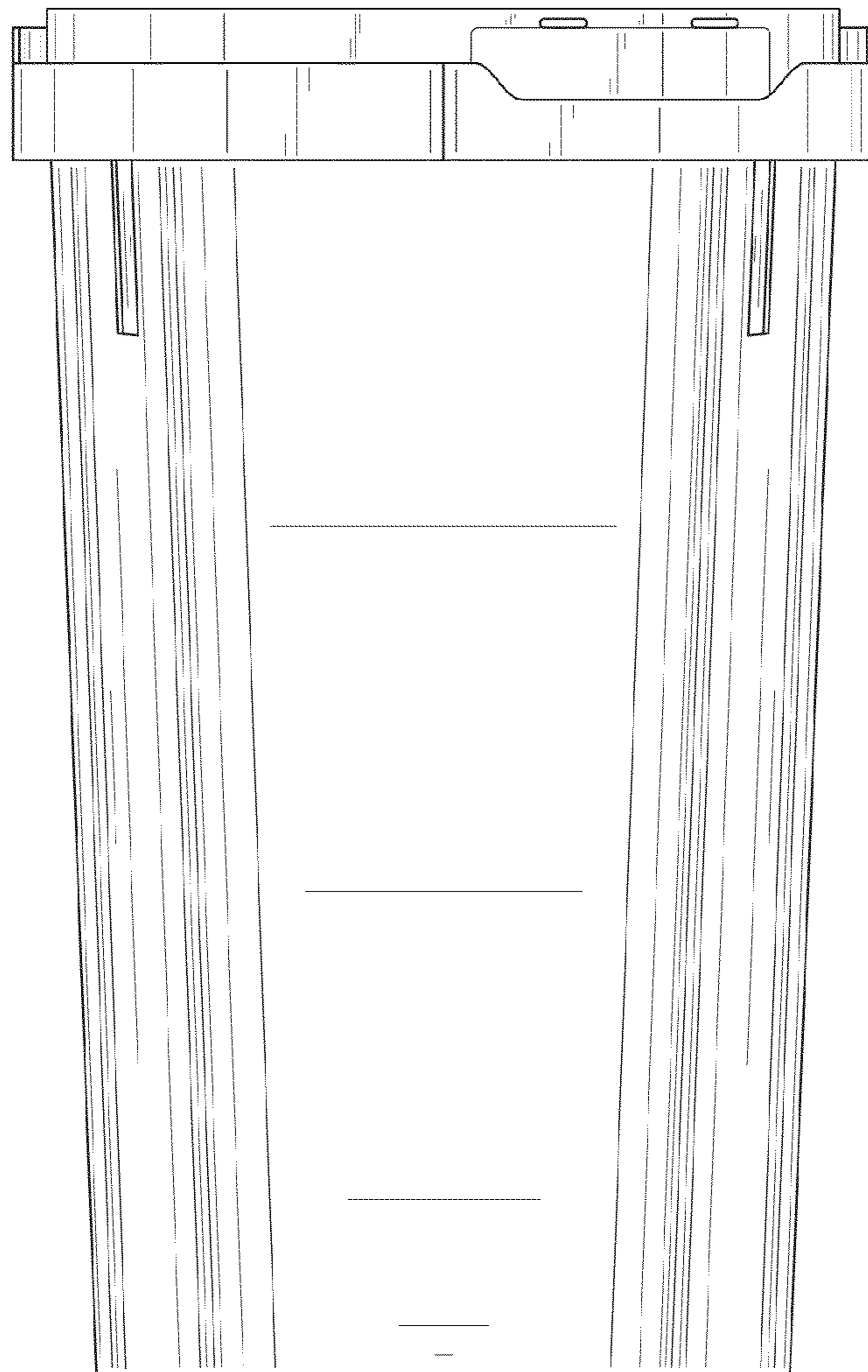


FIG. 38

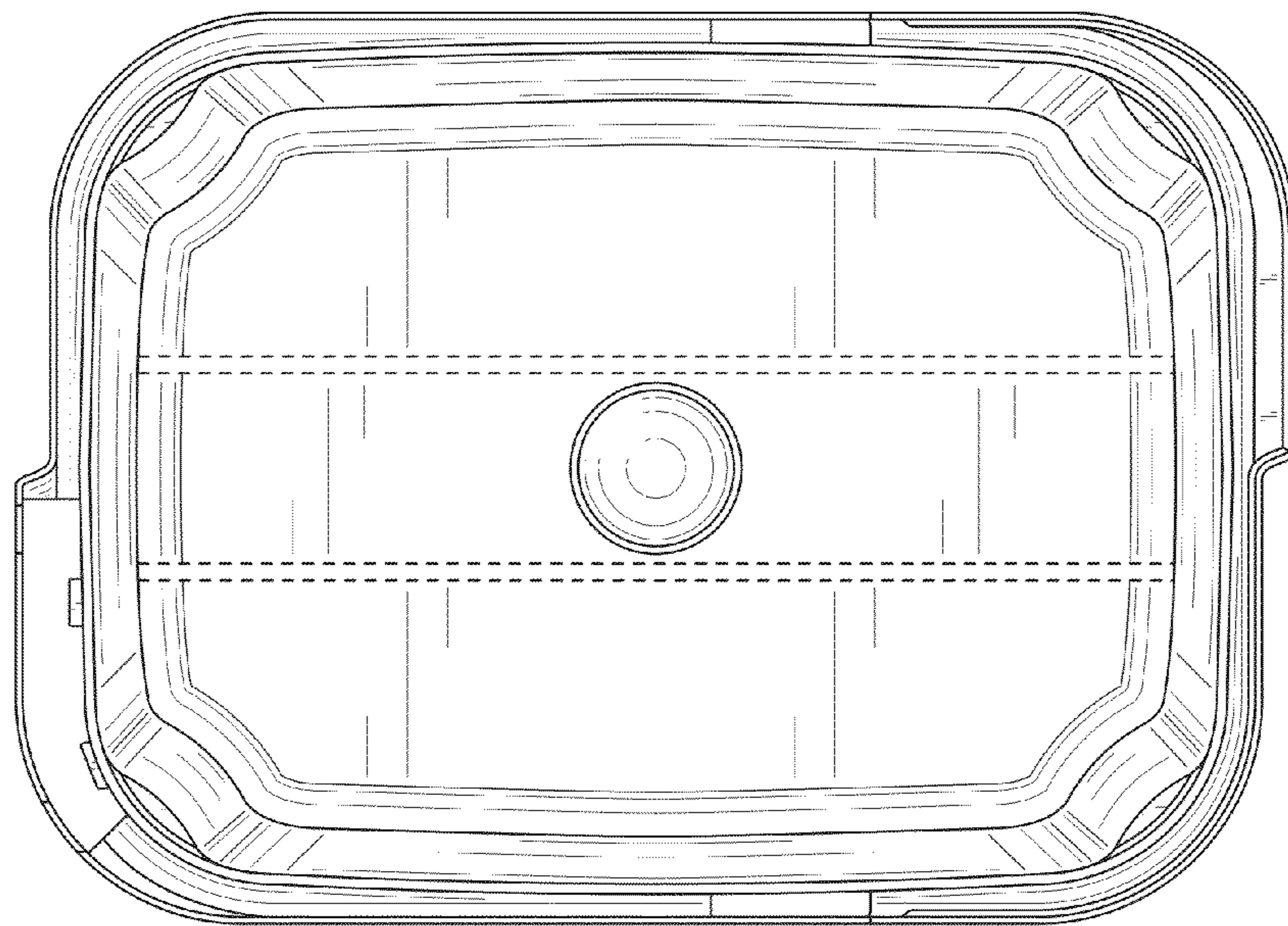


FIG. 39

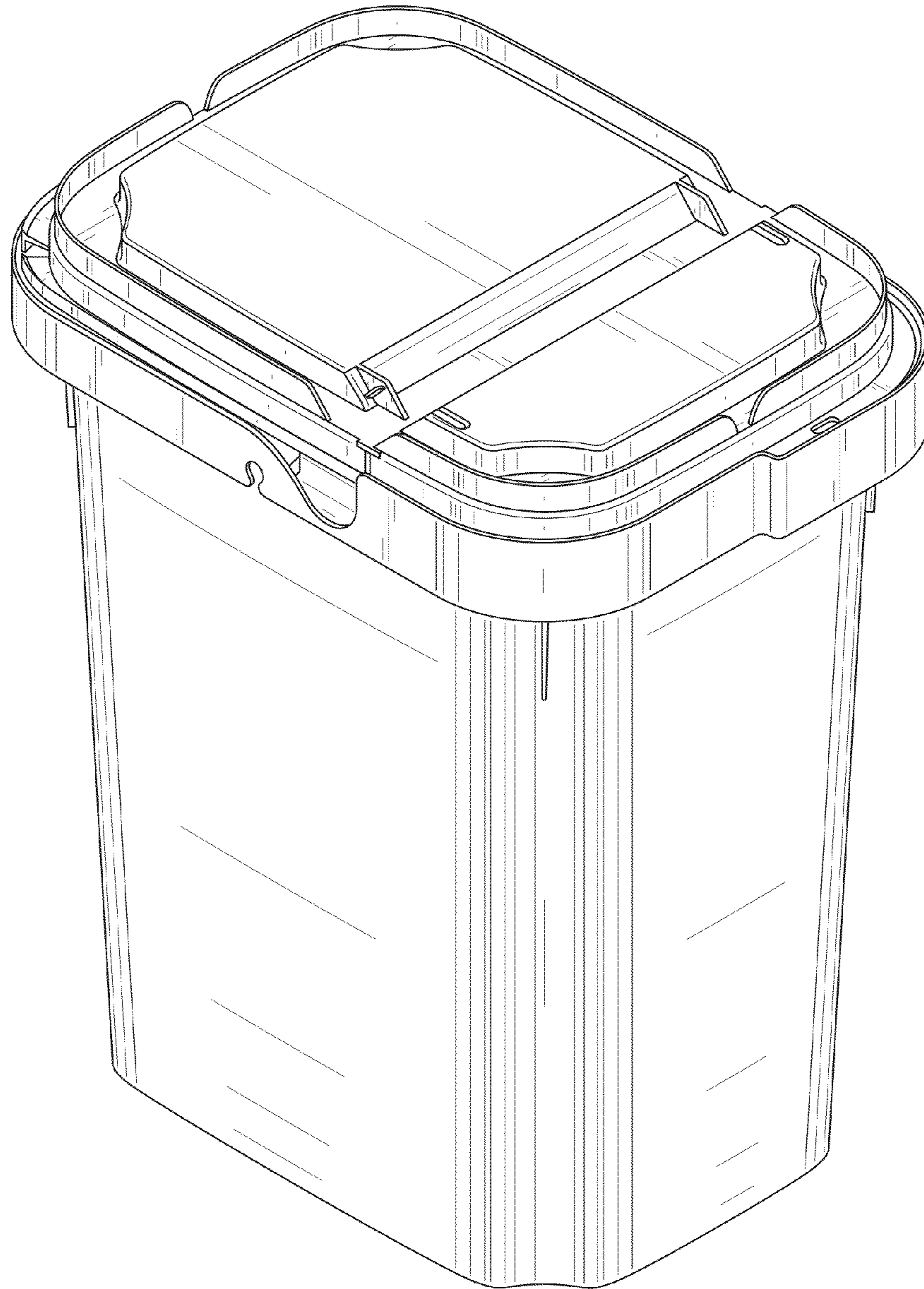


FIG. 40

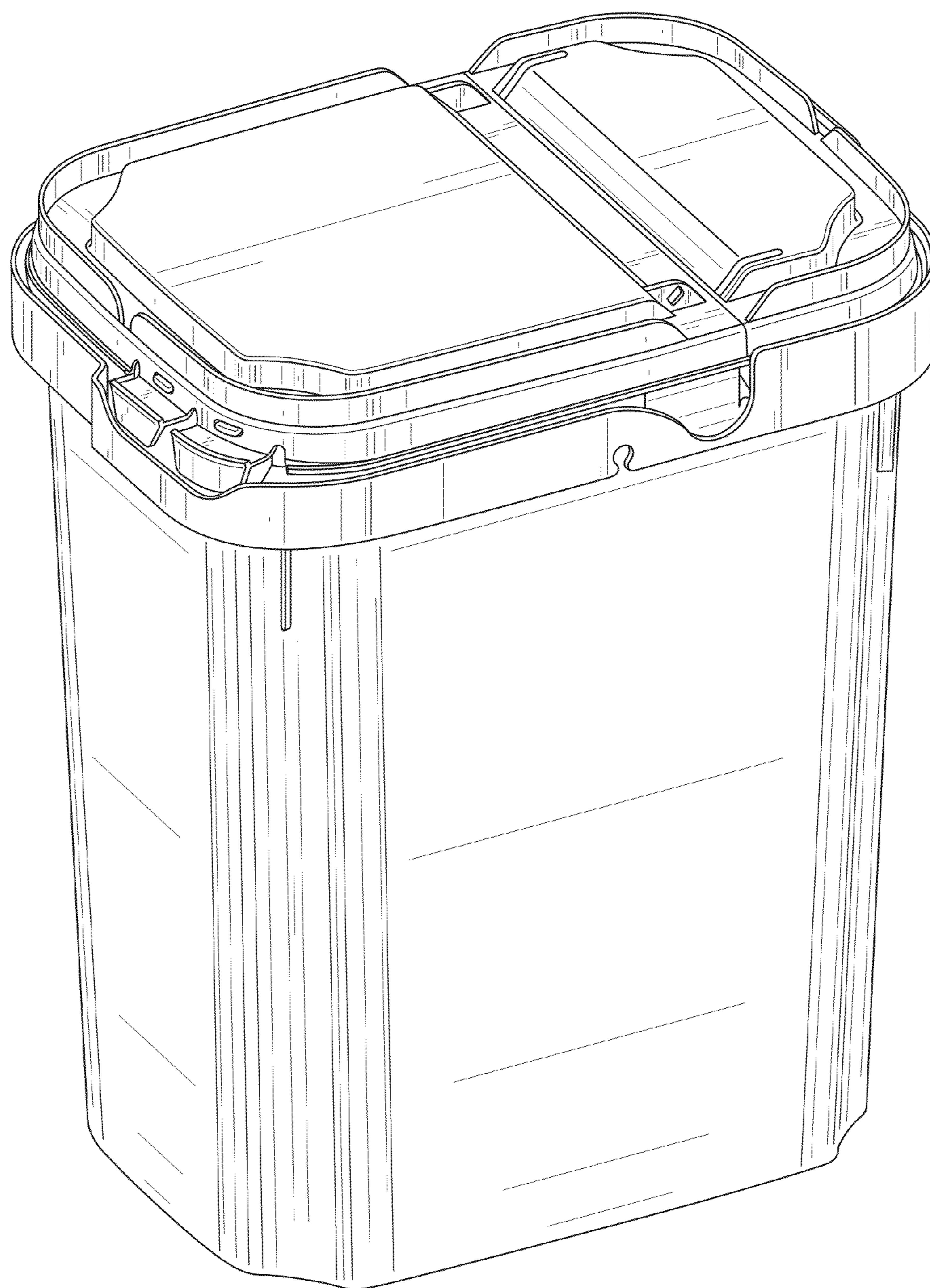


FIG. 41

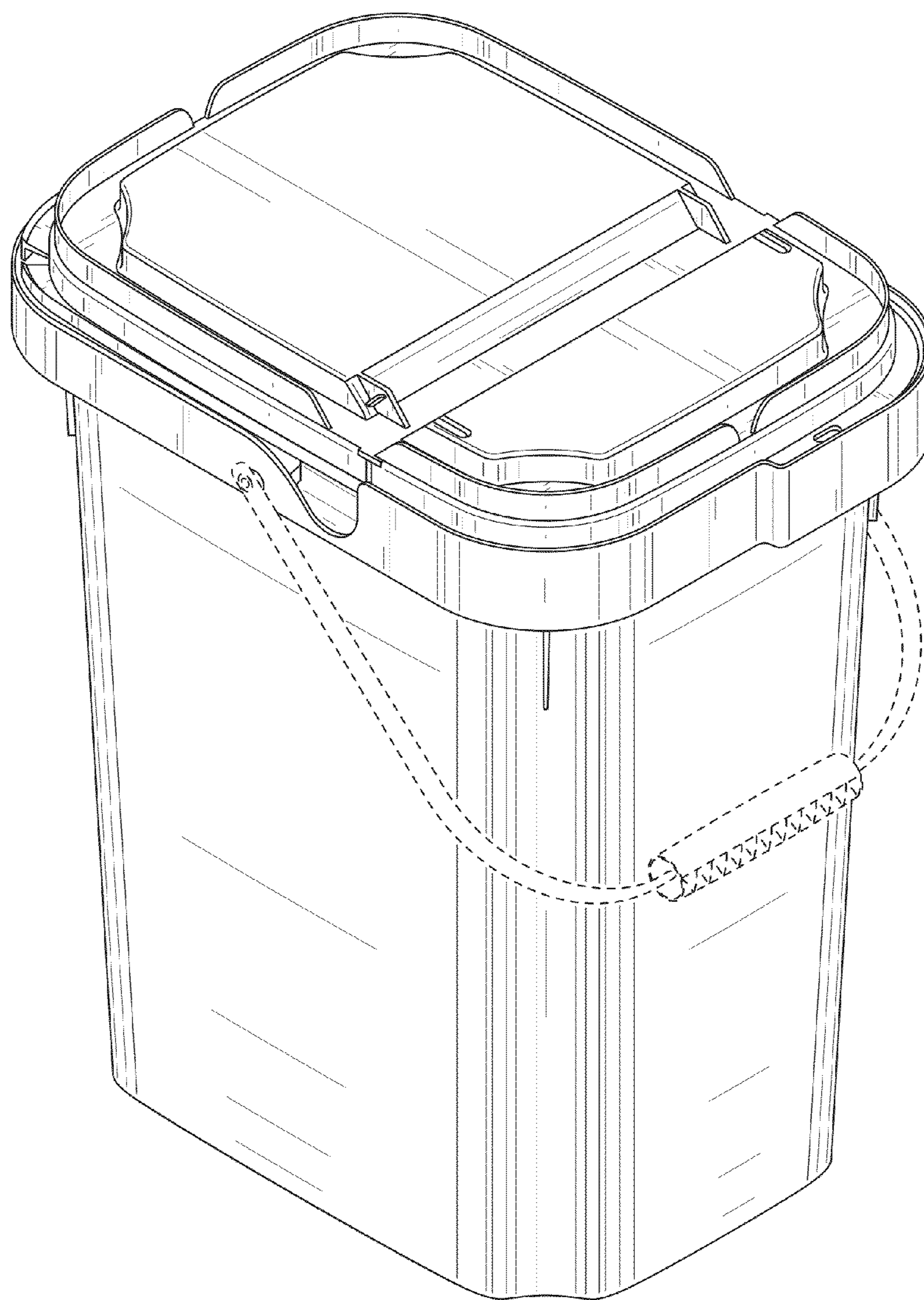


FIG. 42

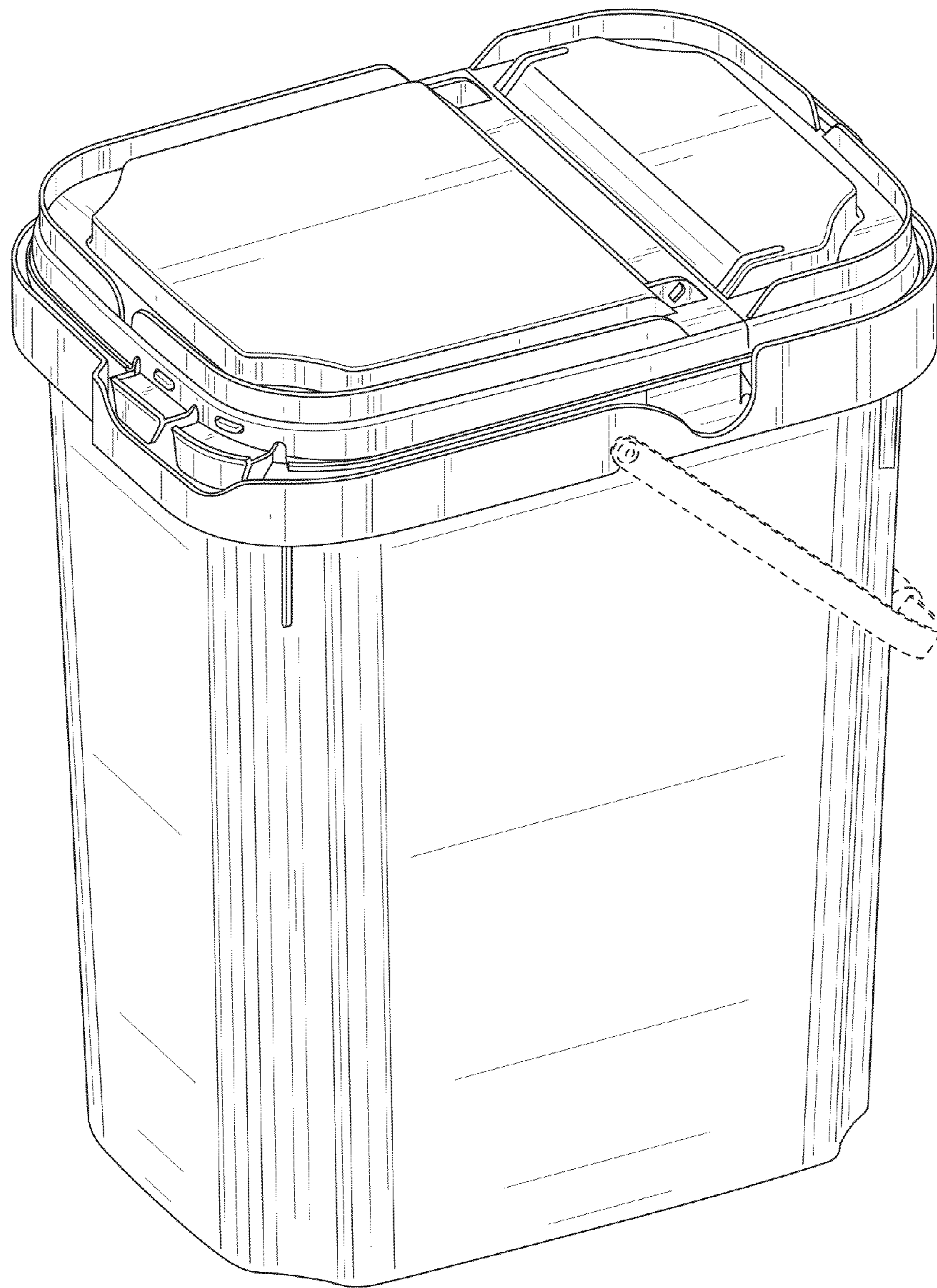


FIG. 43

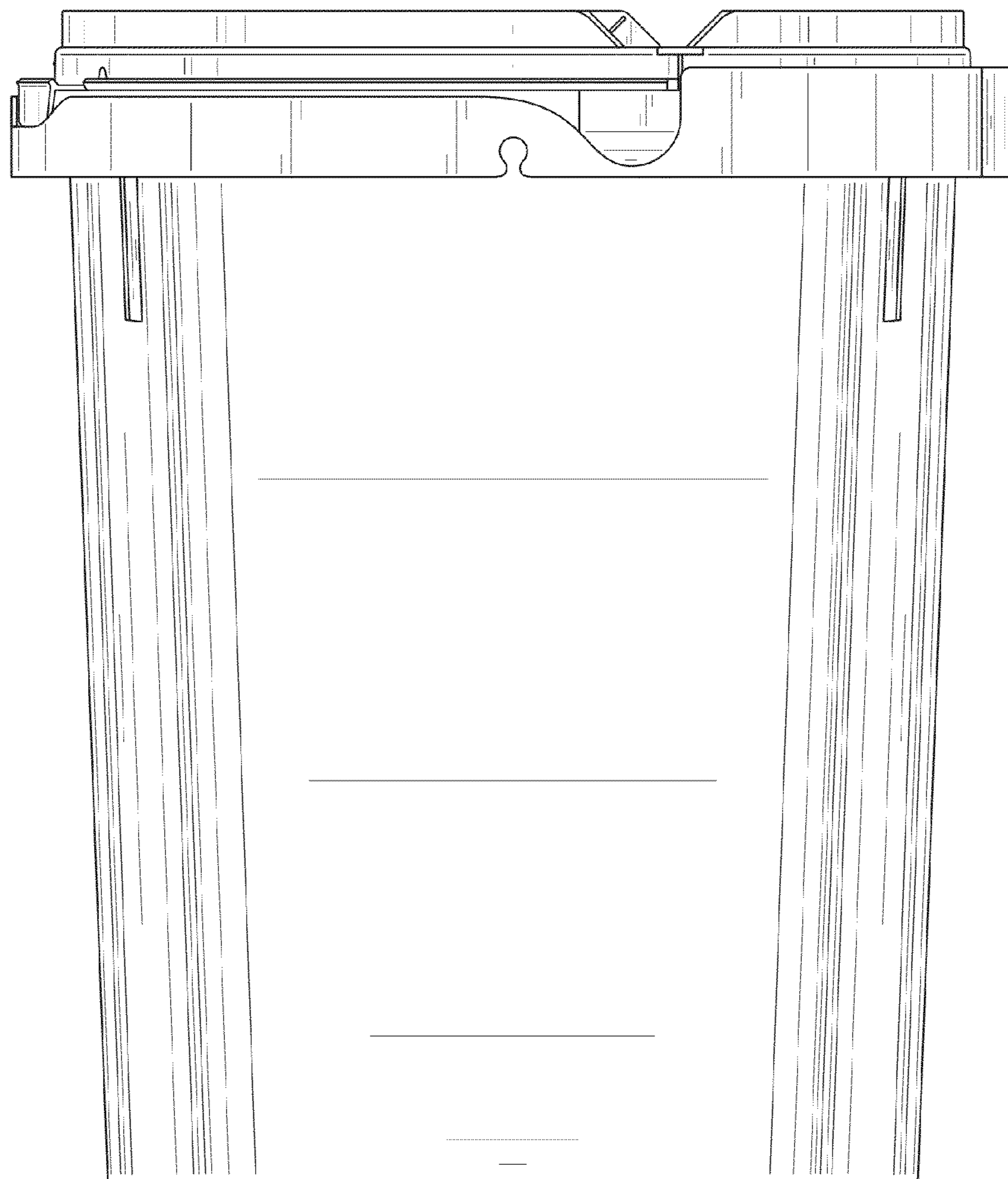


FIG. 44

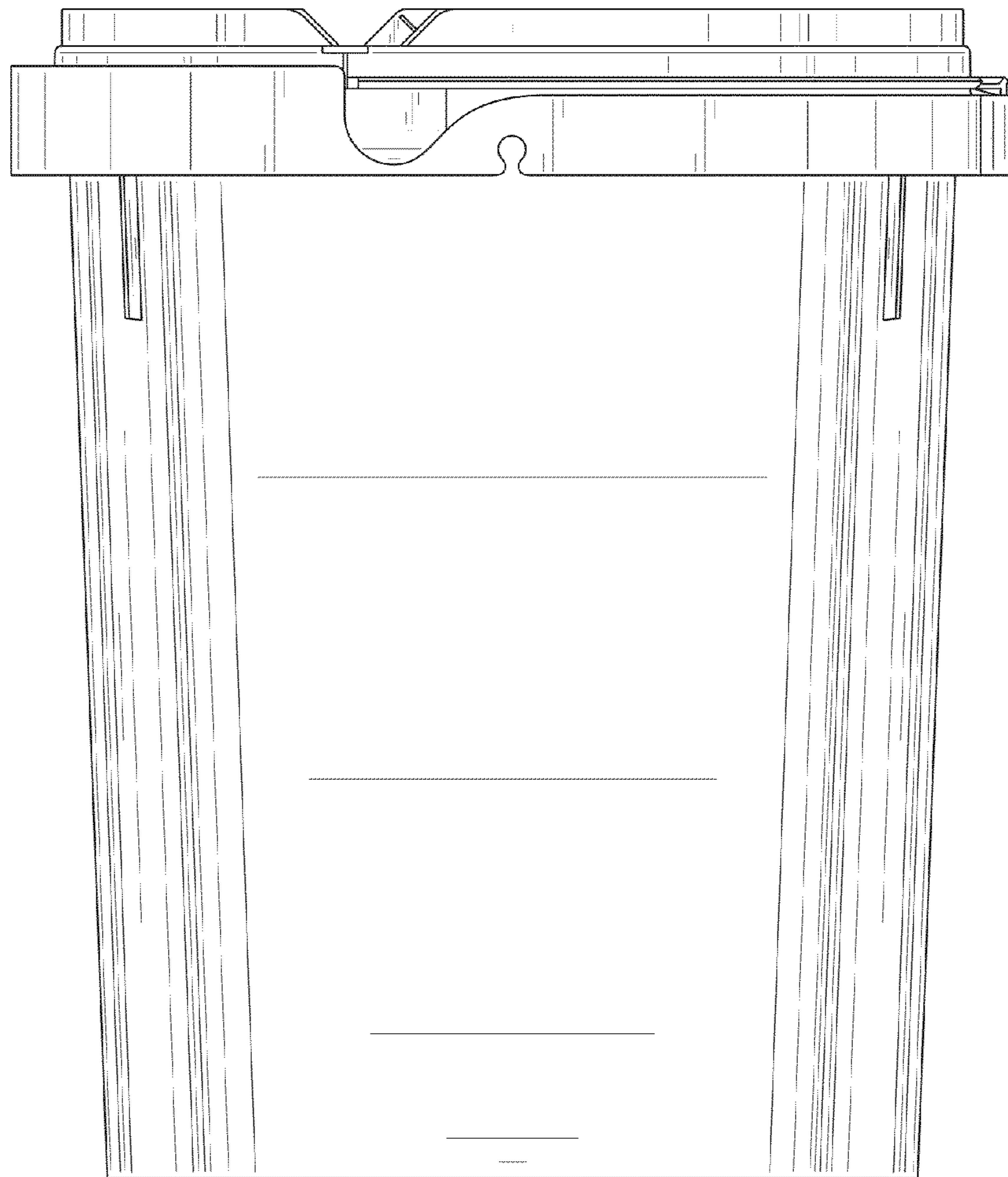


FIG. 45

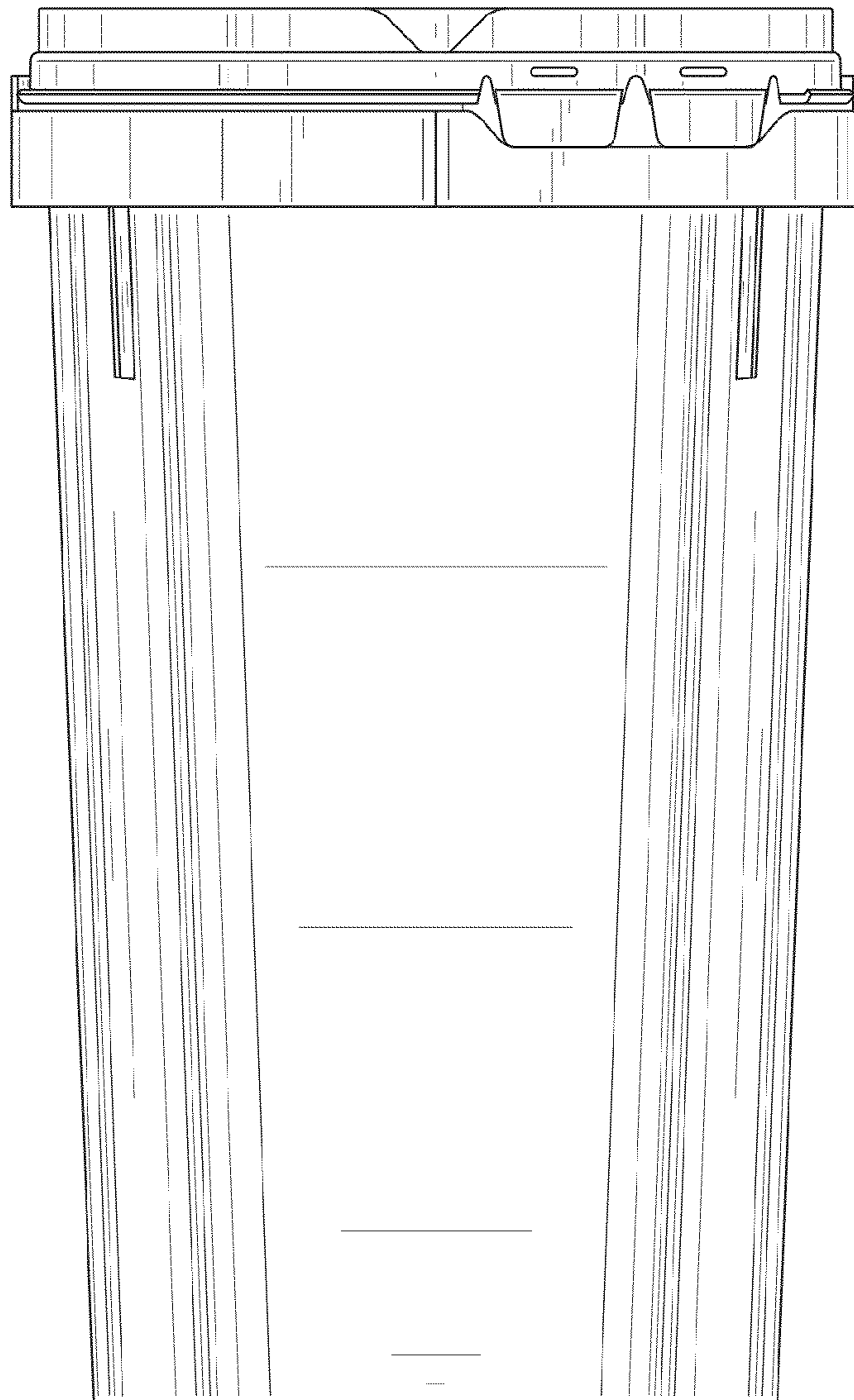


FIG. 46

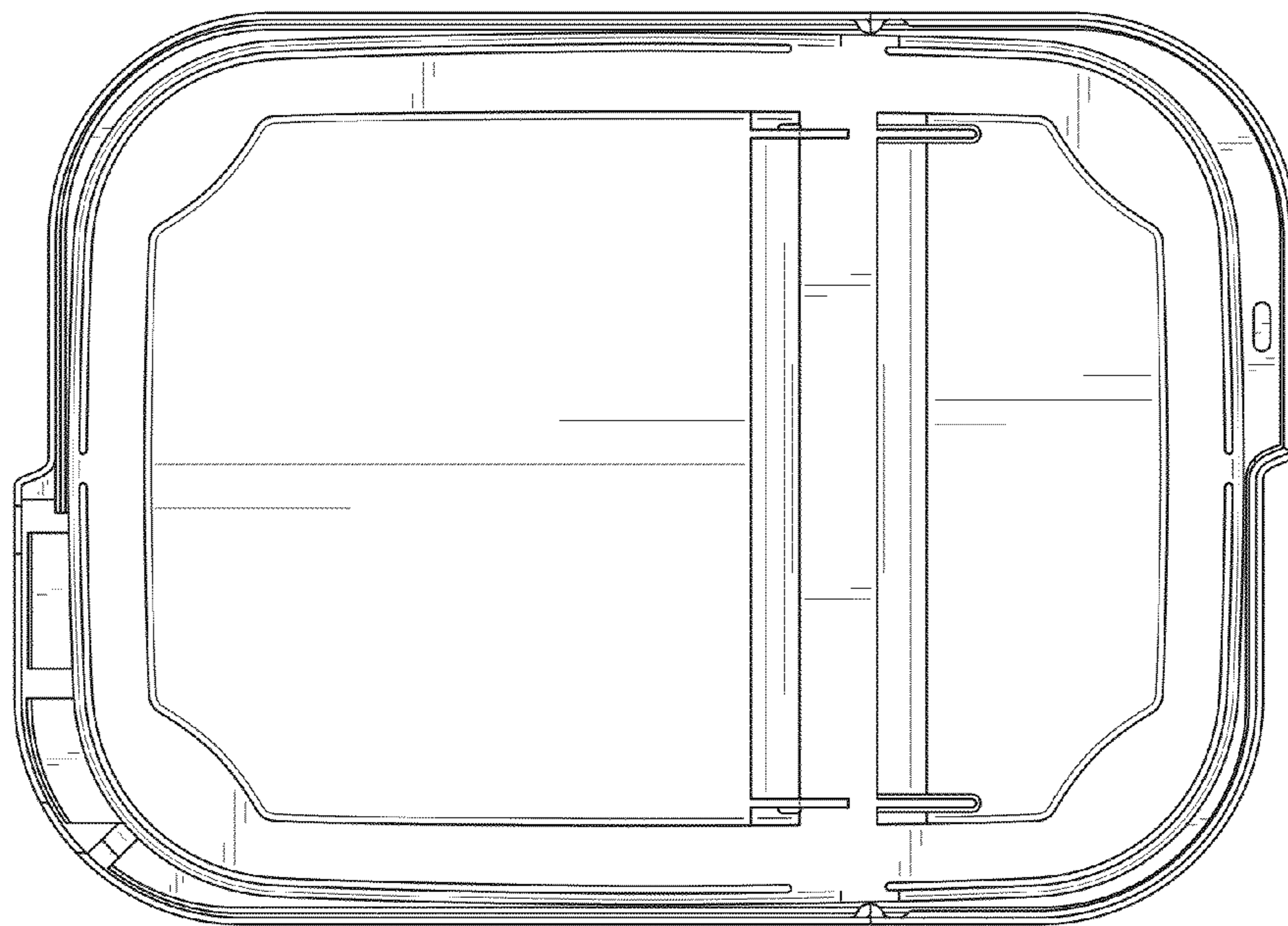


FIG. 47