



US00D709287S

(12) **United States Design Patent**  
**Shitrit**

(10) **Patent No.:** **US D709,287 S**  
(45) **Date of Patent:** **\*\* Jul. 22, 2014**

(54) **TOOL BOX**

(71) Applicant: **The Stanley Works Israel Ltd.**, Rosh Ha' Ayin (IL)

(72) Inventor: **Elad Hay Shitrit**, Tel Aviv (IL)

(73) Assignee: **The Stanley Works Israel, Ltd.** (IL)

(\*\*) Term: **14 Years**

(21) Appl. No.: **29/439,855**

(22) Filed: **Dec. 17, 2012**

(30) **Foreign Application Priority Data**

Jun. 26, 2012 (EM) ..... 001332191

(51) **LOC (10) Cl.** ..... **03-01**

(52) **U.S. Cl.**  
USPC ..... **D3/279**; D3/281; D3/905

(58) **Field of Classification Search**  
USPC ..... D3/905, 273, 274, 276, 279, 281,  
D3/283-288; 220/523, 524, 527, 4.27;  
206/349, 372-379; 312/180;  
280/47.19, 47.26

See application file for complete search history.

(56) **References Cited**

**U.S. PATENT DOCUMENTS**

D462,168 S \* 9/2002 Klemmensen et al. .... D3/279  
6,761,366 B1 \* 7/2004 Klemmensen et al. .... 280/47.26

D609,911 S \* 2/2010 Twig ..... D3/279  
7,854,321 B2 \* 12/2010 Twig et al. .... 206/373  
D649,783 S \* 12/2011 Brunner ..... D3/279  
D663,952 S \* 7/2012 Crevling et al. .... D3/274  
2010/0000893 A1 \* 1/2010 Twig et al. .... 206/373

\* cited by examiner

*Primary Examiner* — Jennifer Rivard

(74) *Attorney, Agent, or Firm* — Bruce S. Shapiro; John Yun; Stepehn R. Valancius

(57) **CLAIM**

The ornamental design for a tool box, as shown and described.

**DESCRIPTION**

FIG. 1 is a left front perspective view of my new design.

FIG. 2 is a front view thereof.

FIG. 3 is a rear view thereof.

FIG. 4 is a left side view thereof.

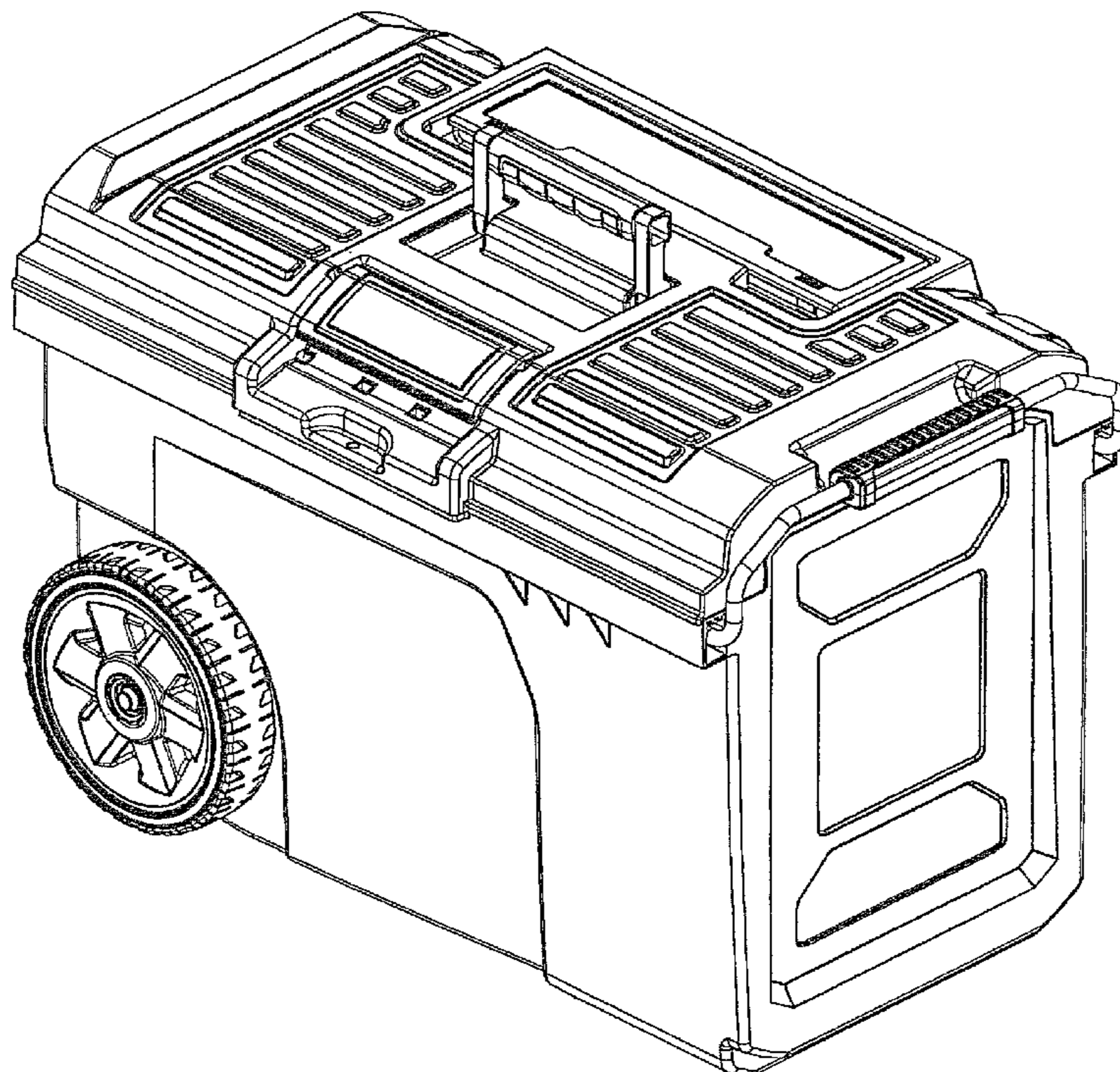
FIG. 5 is a right side view thereof.

FIG. 6 is a top view thereof; and,

FIG. 7 is a bottom view thereof.

The broken lines in the drawings illustrate portions of the article and form no part of the claimed design.

**1 Claim, 7 Drawing Sheets**



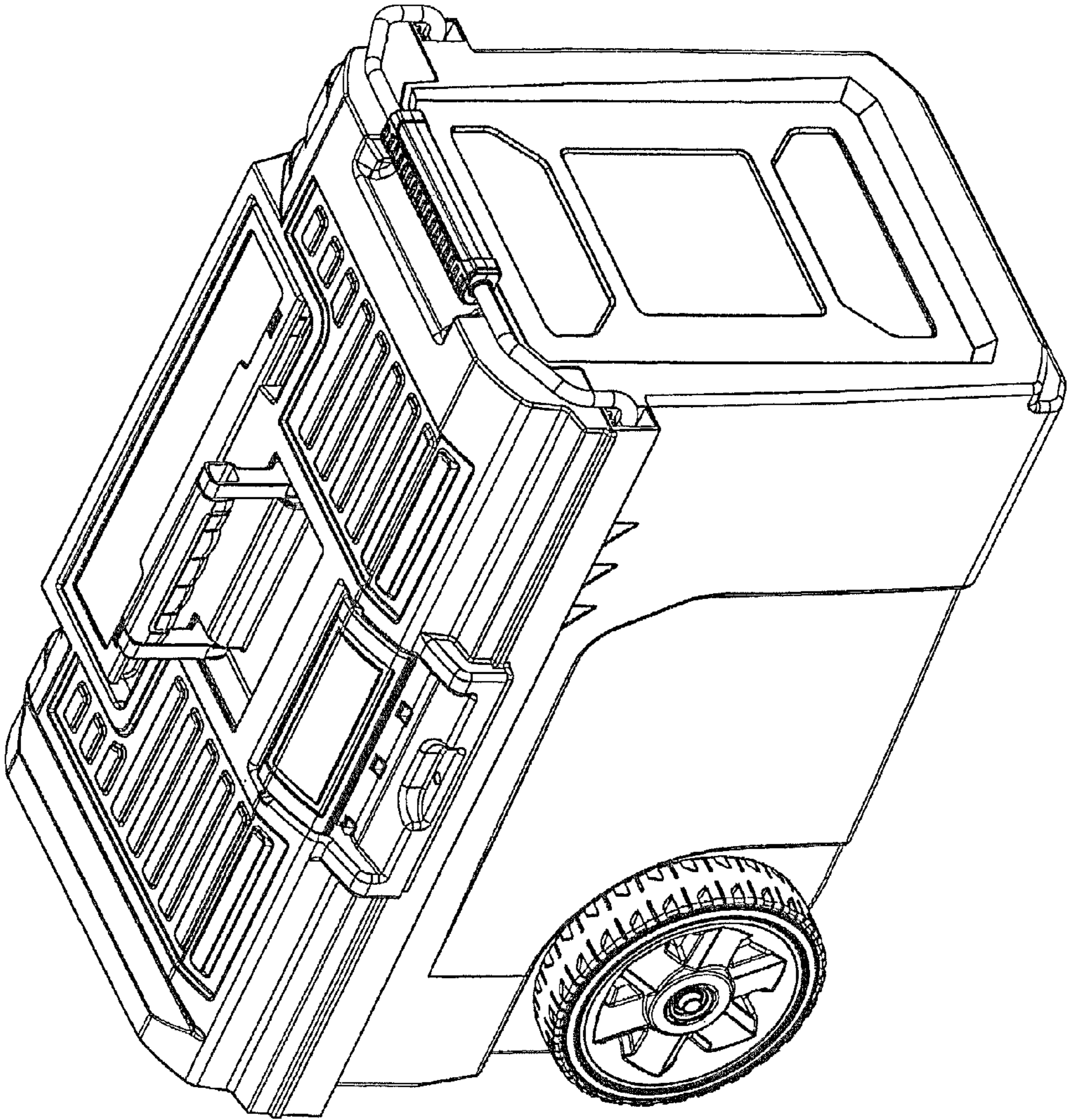


FIG.1



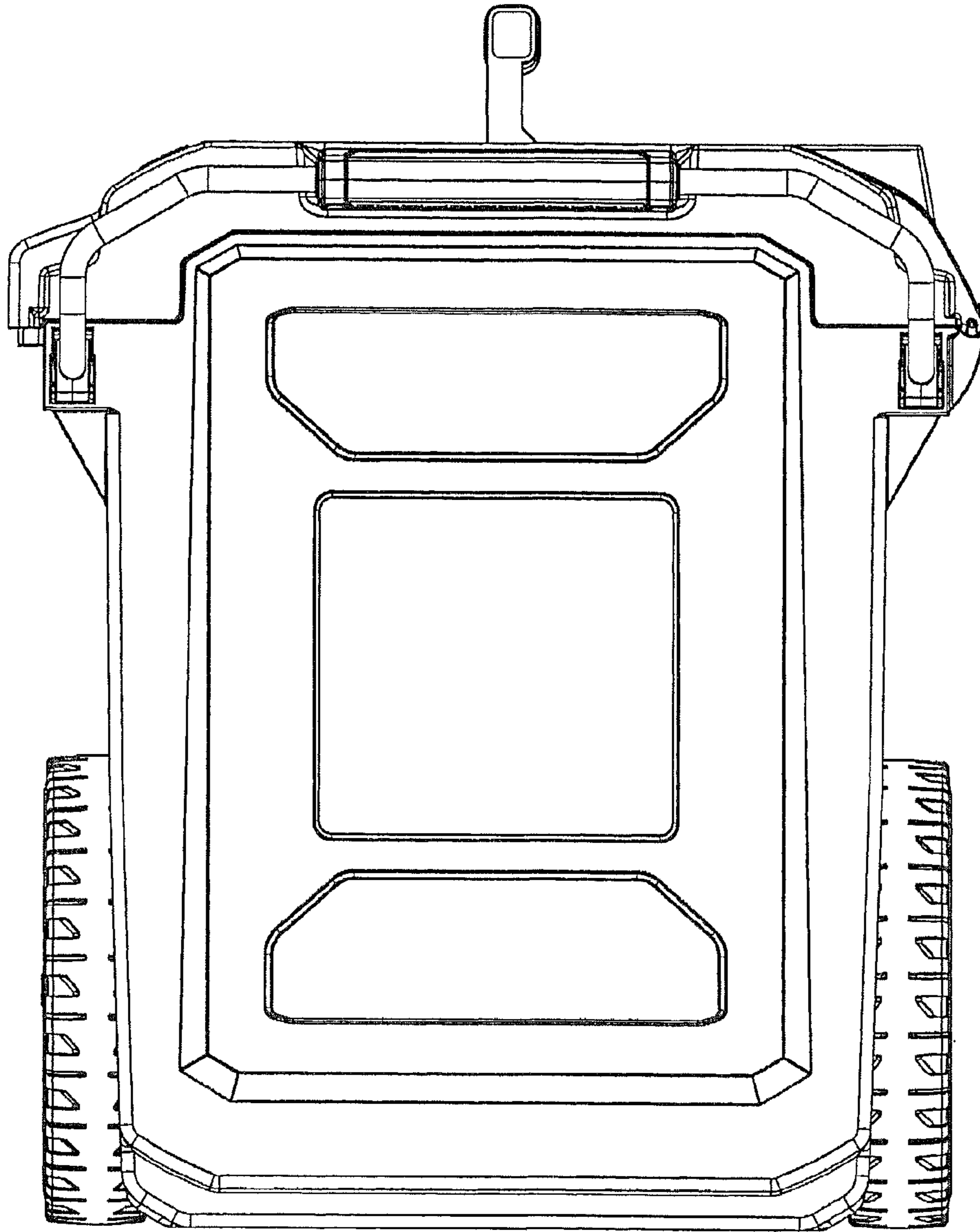


FIG.2

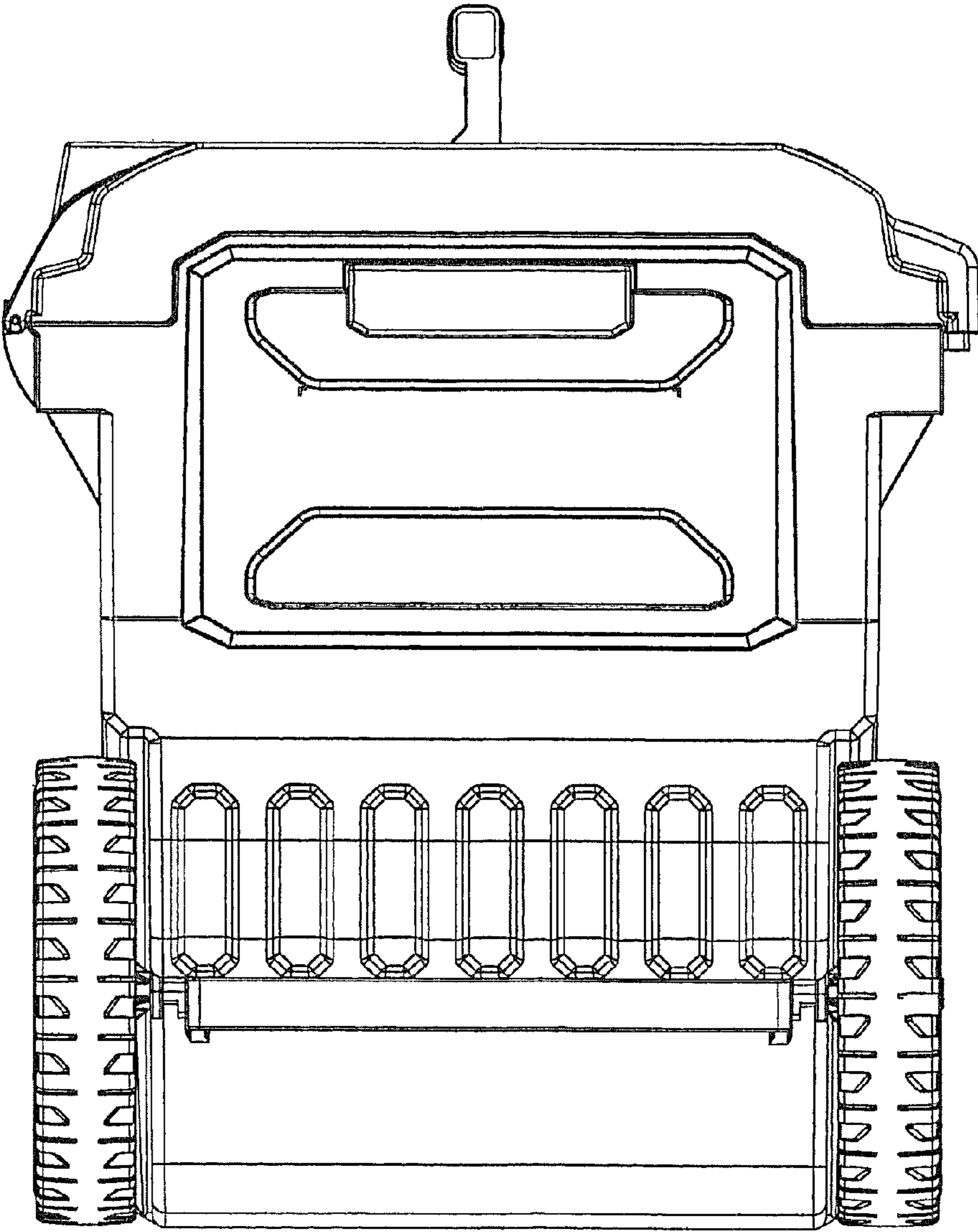


FIG.3

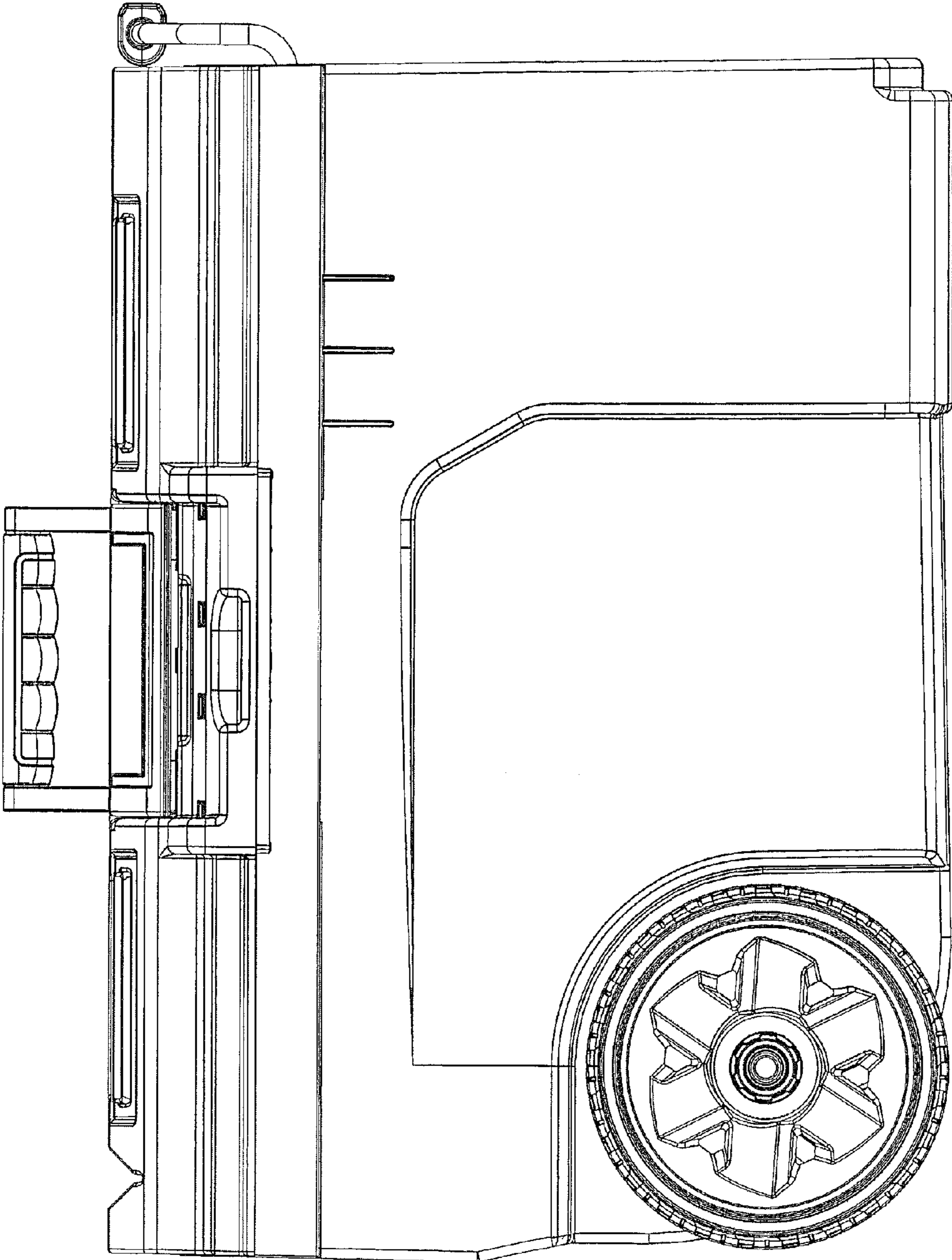


FIG.4

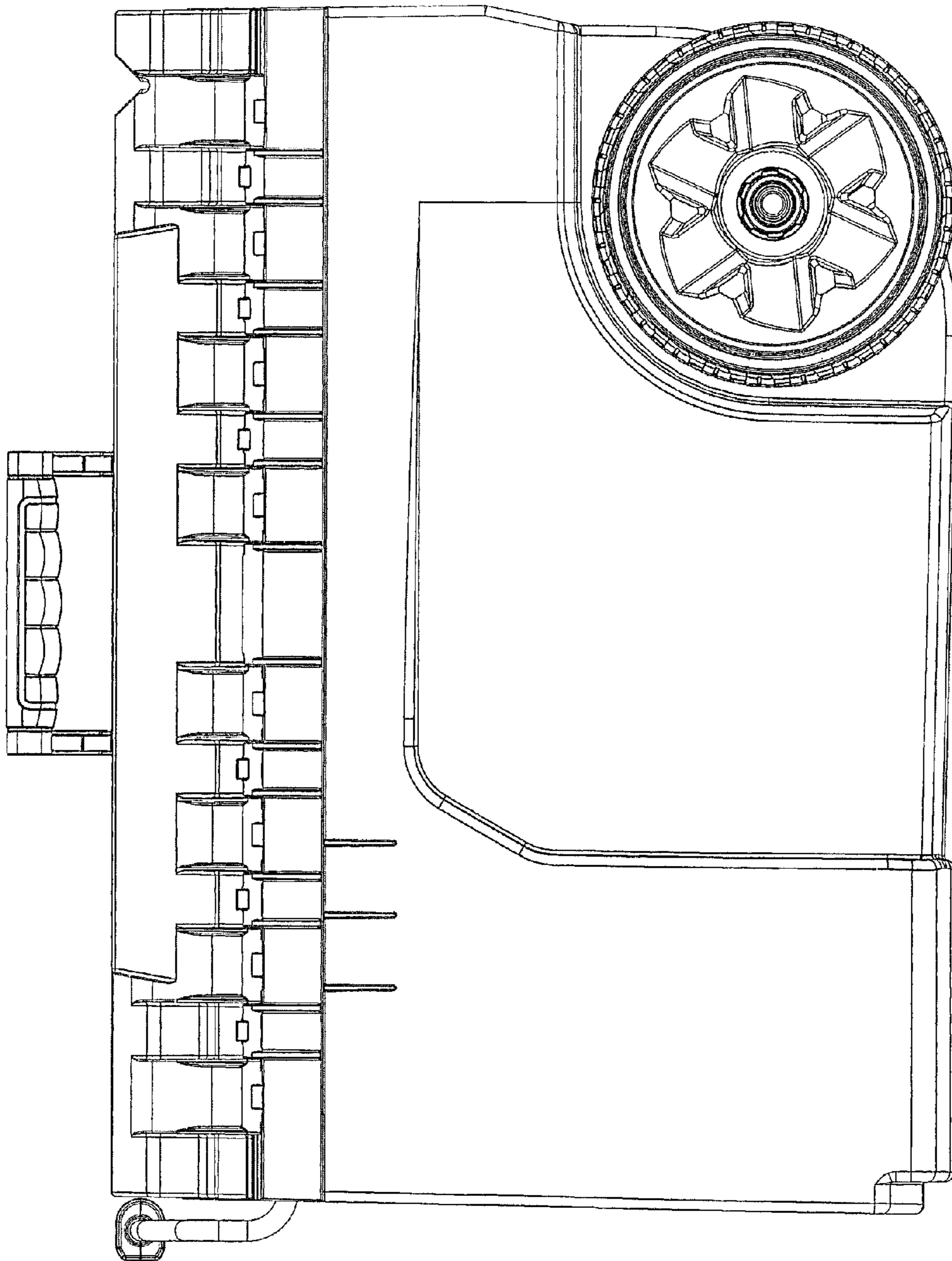


FIG.5



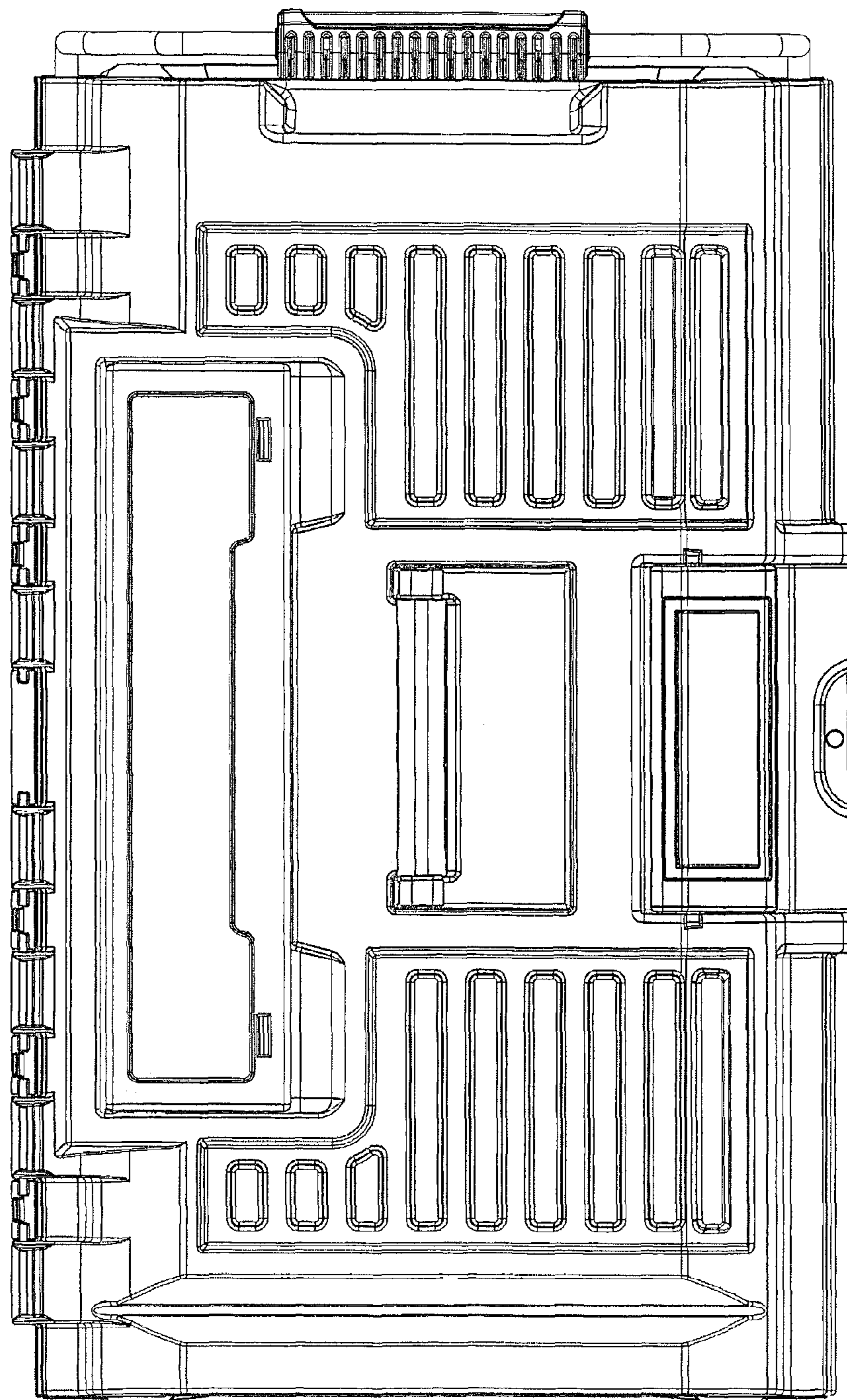


FIG.6

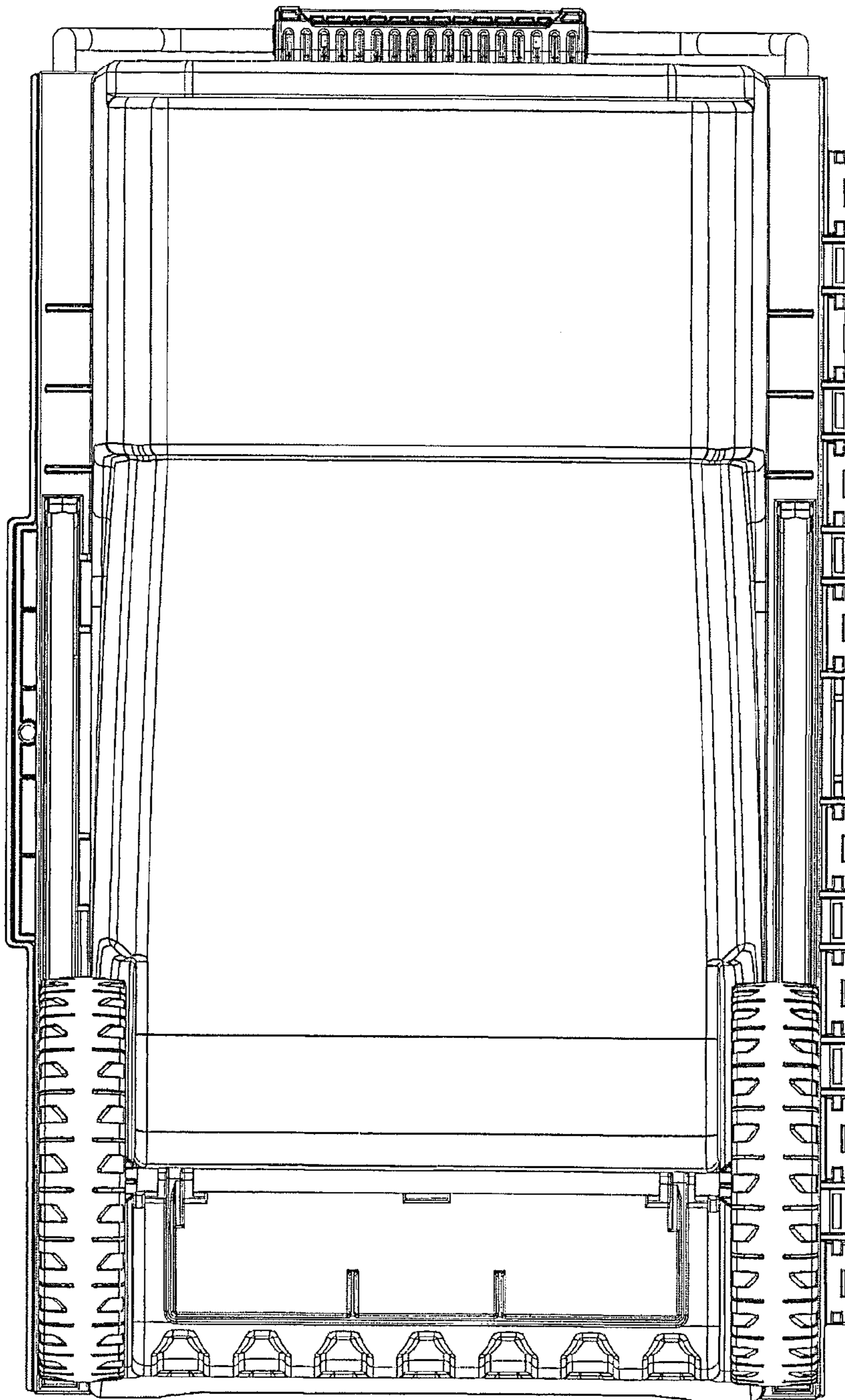


FIG.7