



US00D709286S

(12) **United States Design Patent**  
**Takayanagi et al.**

(10) **Patent No.:** **US D709,286 S**  
(45) **Date of Patent:** **\*\* Jul. 22, 2014**

(54) **CARRYING CASE FOR AN OPTICAL FIBER FUSION SPLICER**

*Primary Examiner* — Jennifer Rivard  
(74) *Attorney, Agent, or Firm* — Drinker Biddle & Reath LLP

(75) Inventors: **Hiroshi Takayanagi**, Yokohama (JP);  
**Teruaki Nishida**, Yokohama (JP); **Hisao Yui**,  
Yokohama (JP); **Hiroyasu Toyooka**,  
Yokohama (JP)

(73) Assignee: **SEI Optrifrontier Co., Ltd.**,  
Yokohama-shi, Kanagawa (JP)

(\*\*) Term: **14 Years**

(21) Appl. No.: **29/419,720**

(22) Filed: **May 1, 2012**

(51) **LOC (10) Cl.** ..... **03-01**

(52) **U.S. Cl.**

USPC ..... **D3/263**; D3/905; D3/281

(58) **Field of Classification Search**

USPC ..... D3/274, 276, 281, 283, 284, 905, 263;  
385/135; 206/372–379, 701; D15/127

See application file for complete search history.

(56) **References Cited**

**U.S. PATENT DOCUMENTS**

D563,670	S	*	3/2008	Cornwell et al.	.....	D3/294
D610,596	S	*	2/2010	Mizushima	.....	D15/127
D627,968	S	*	11/2010	Brunner	.....	D3/281
D652,212	S	*	1/2012	Takayanagi et al.	.....	D3/263
D674,605	S	*	1/2013	Vilkomirski et al.	.....	D3/281
2005/0276550	A1	*	12/2005	Kanda et al.	.....	385/97
2008/0285933	A1	*	11/2008	Vogel et al.	.....	385/135
2011/0036747	A1	*	2/2011	Petrick et al.	.....	206/701
2011/0048988	A1	*	3/2011	Kotula et al.	.....	206/372
2014/0010513	A1	*	1/2014	Kowalczyk et al.	.....	385/135
2014/0050452	A1	*	2/2014	Badura et al.	.....	385/135

**FOREIGN PATENT DOCUMENTS**

JP	1412402	5/2011
JP	D2011-016884	7/2011

\* cited by examiner

(57) **CLAIM**

The ornamental design for a carrying case for an optical fiber fusion splicer, as shown and described.

**DESCRIPTION**

FIG. 1 is a front view of a carrying case for an optical fiber fusion splicer.

FIG. 2 is a rear view of the carrying case for an optical fiber fusion splicer.

FIG. 3 is a top plan view of the carrying case for an optical fiber fusion splicer.

FIG. 4 is a bottom view of the carrying case for an optical fiber fusion splicer.

FIG. 5 is a right side view of the carrying case for an optical fiber fusion splicer.

FIG. 6 is a left side view of the carrying case for an optical fiber fusion splicer.

FIG. 7 is a perspective view of the carrying case for an optical fiber fusion splicer.

FIG. 8 is a top plan view with the lid open of the carrying case for an optical fiber fusion splicer.

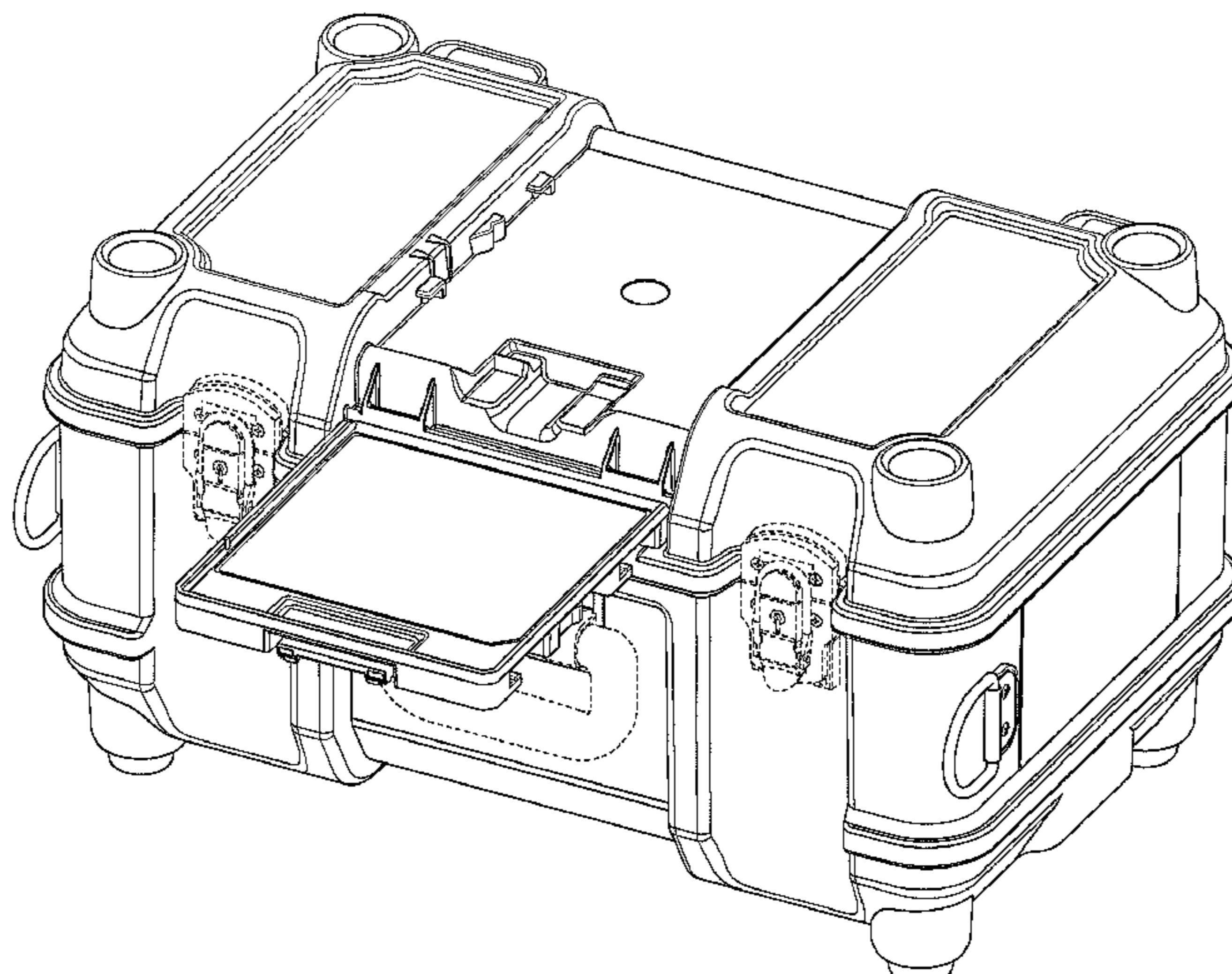
FIG. 9 is a perspective view with the lid open of the carrying case for an optical fiber fusion splicer.

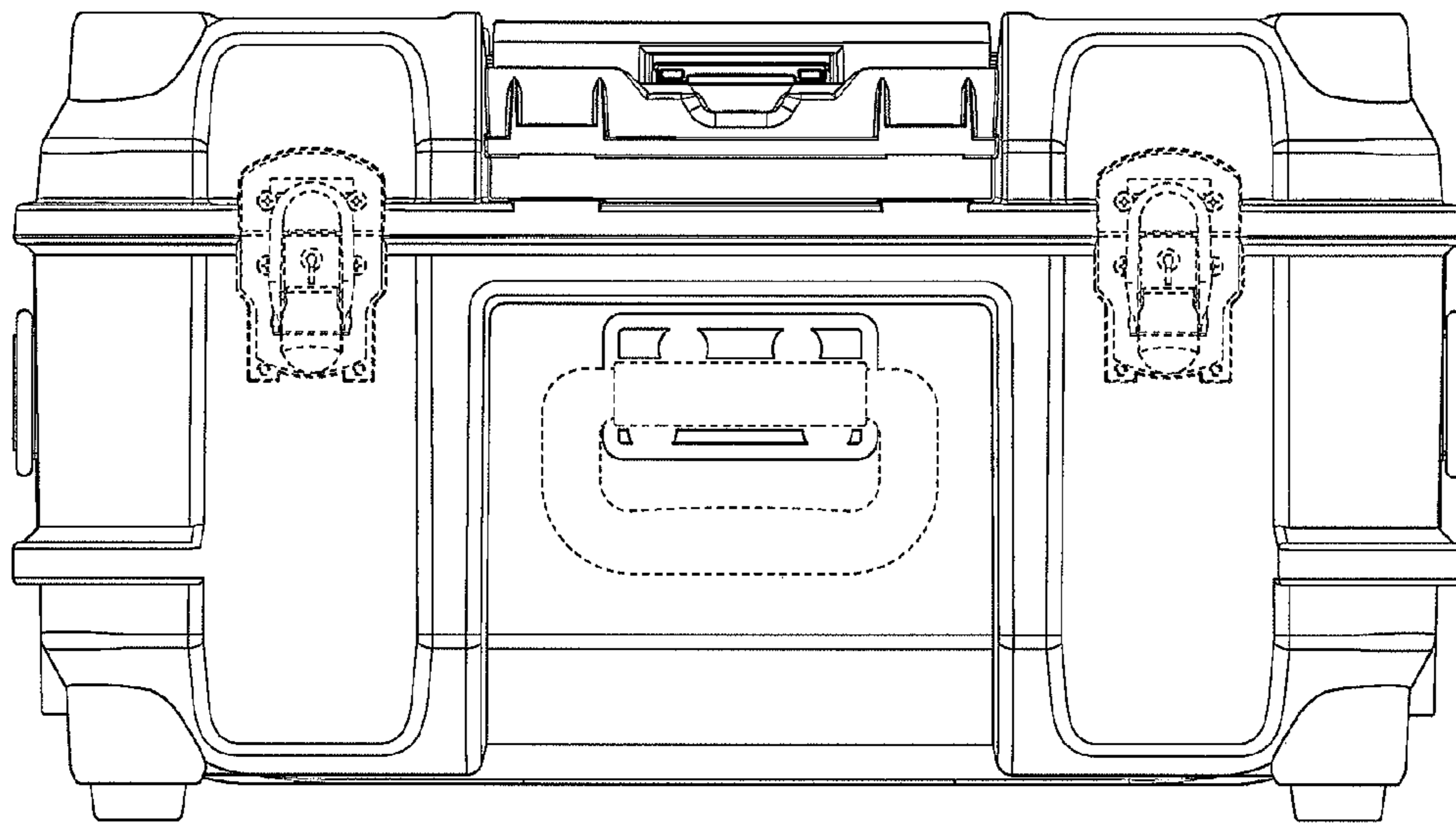
FIG. 10 is a perspective view with the workbench mounted on the front portion of the carrying case for an optical fiber fusion splicer; and,

FIG. 11 is a reference view with the workbench detached of the carrying case for an optical fiber fusion splicer.

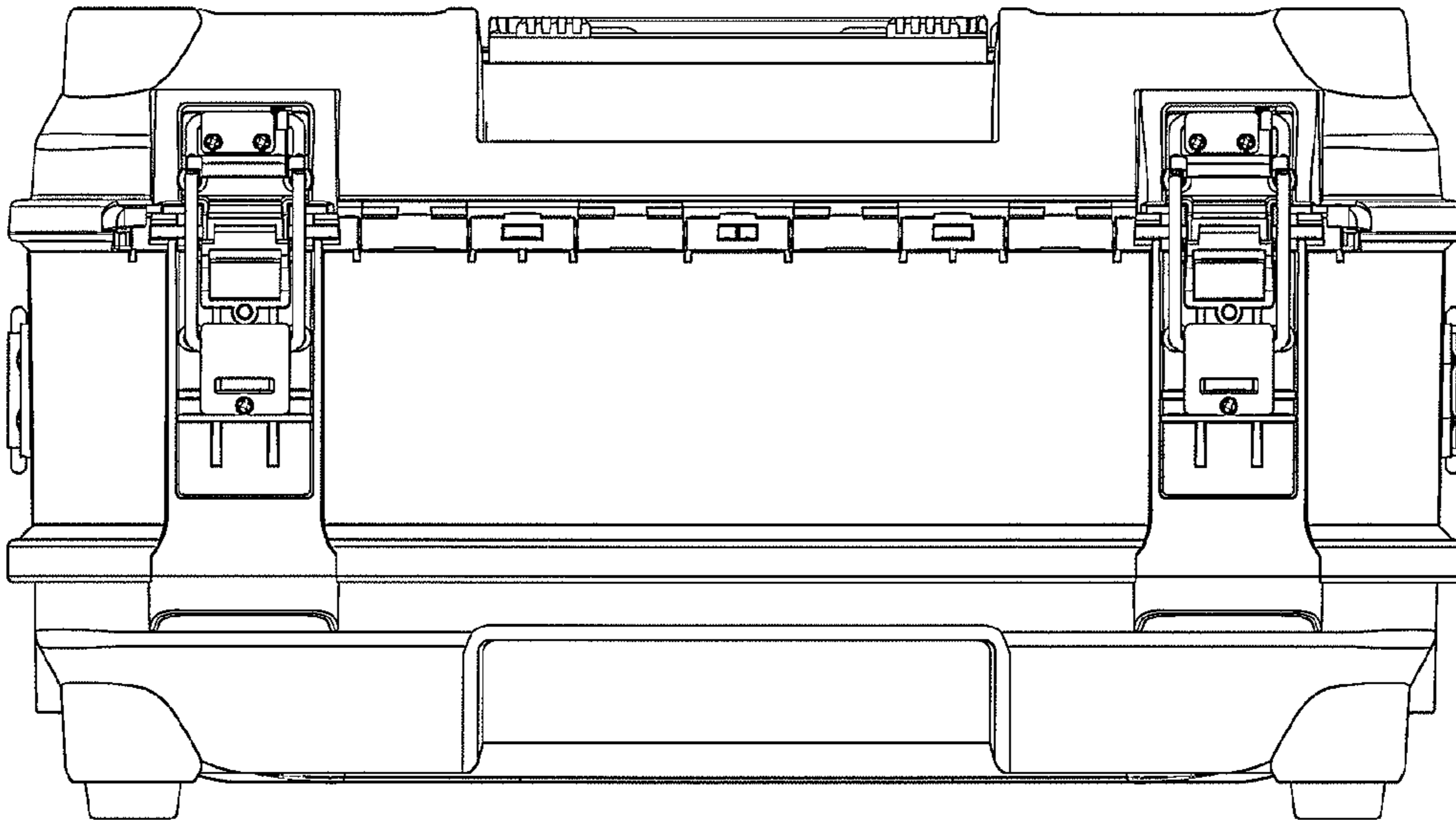
The broken line showing of the carrying case for an optical fiber fusion splicer is for the purpose of illustrating environmental structure and forms no part of the claimed design.

**1 Claim, 11 Drawing Sheets**

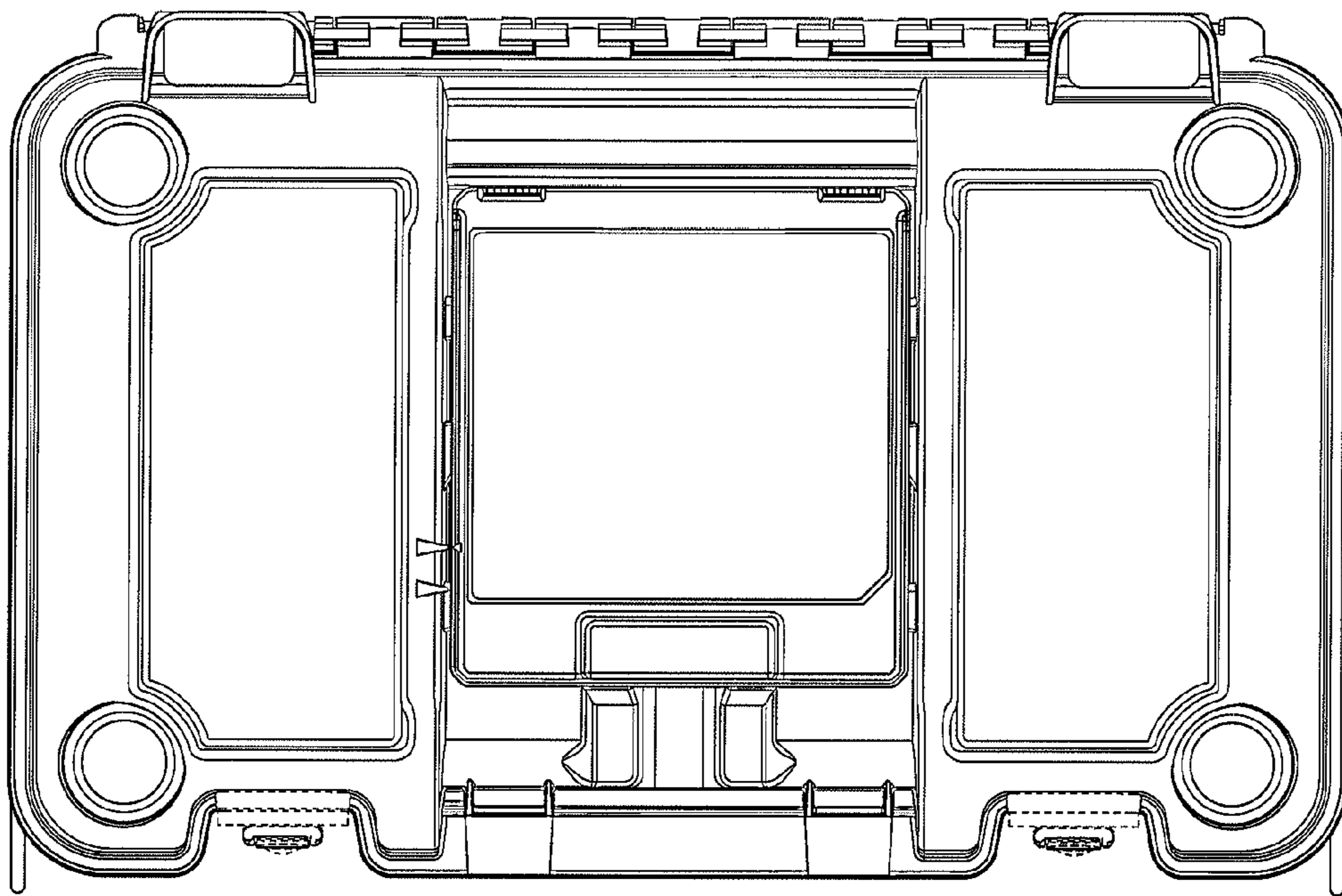




**Fig. 1**

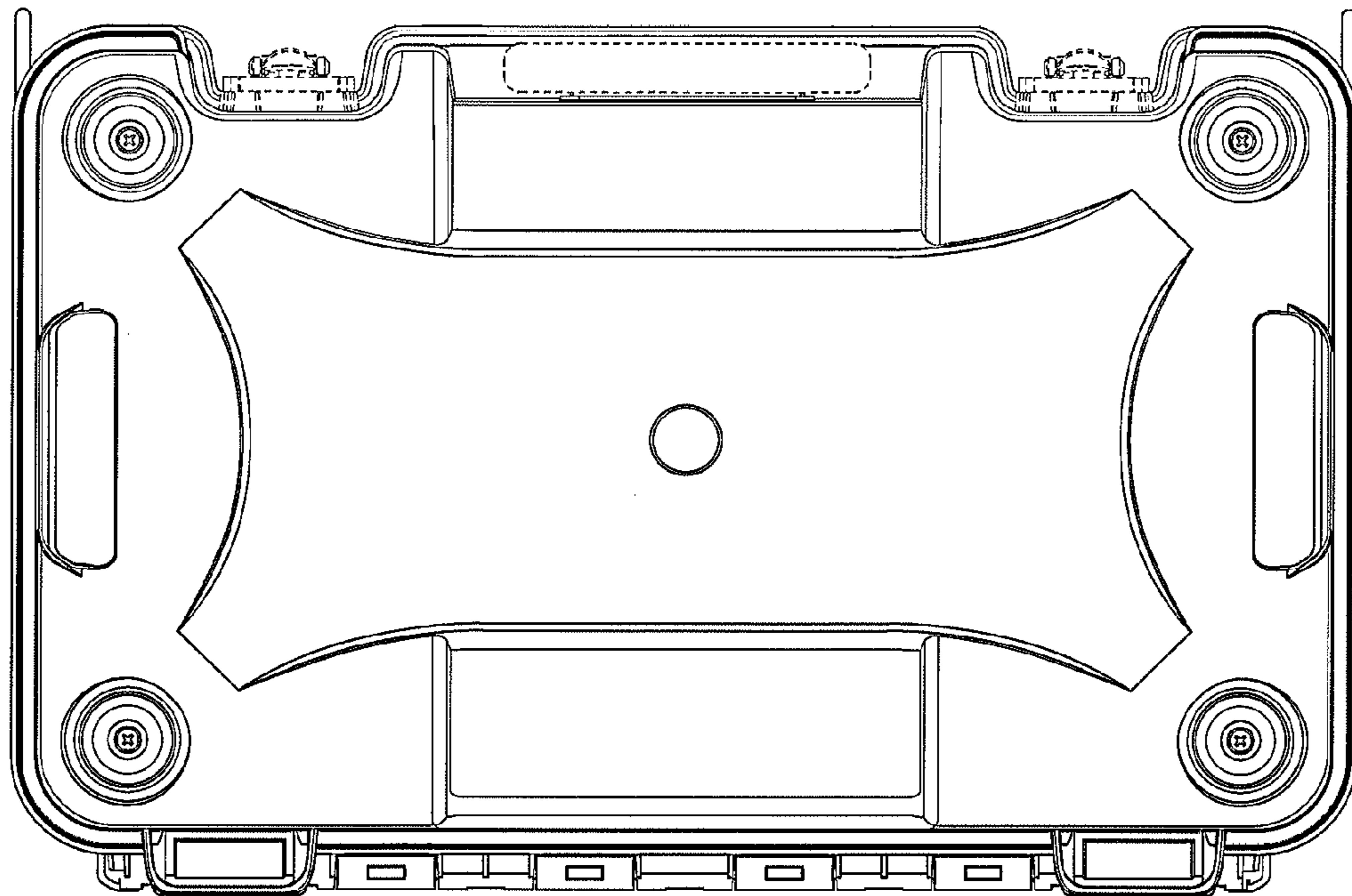


**Fig. 2**

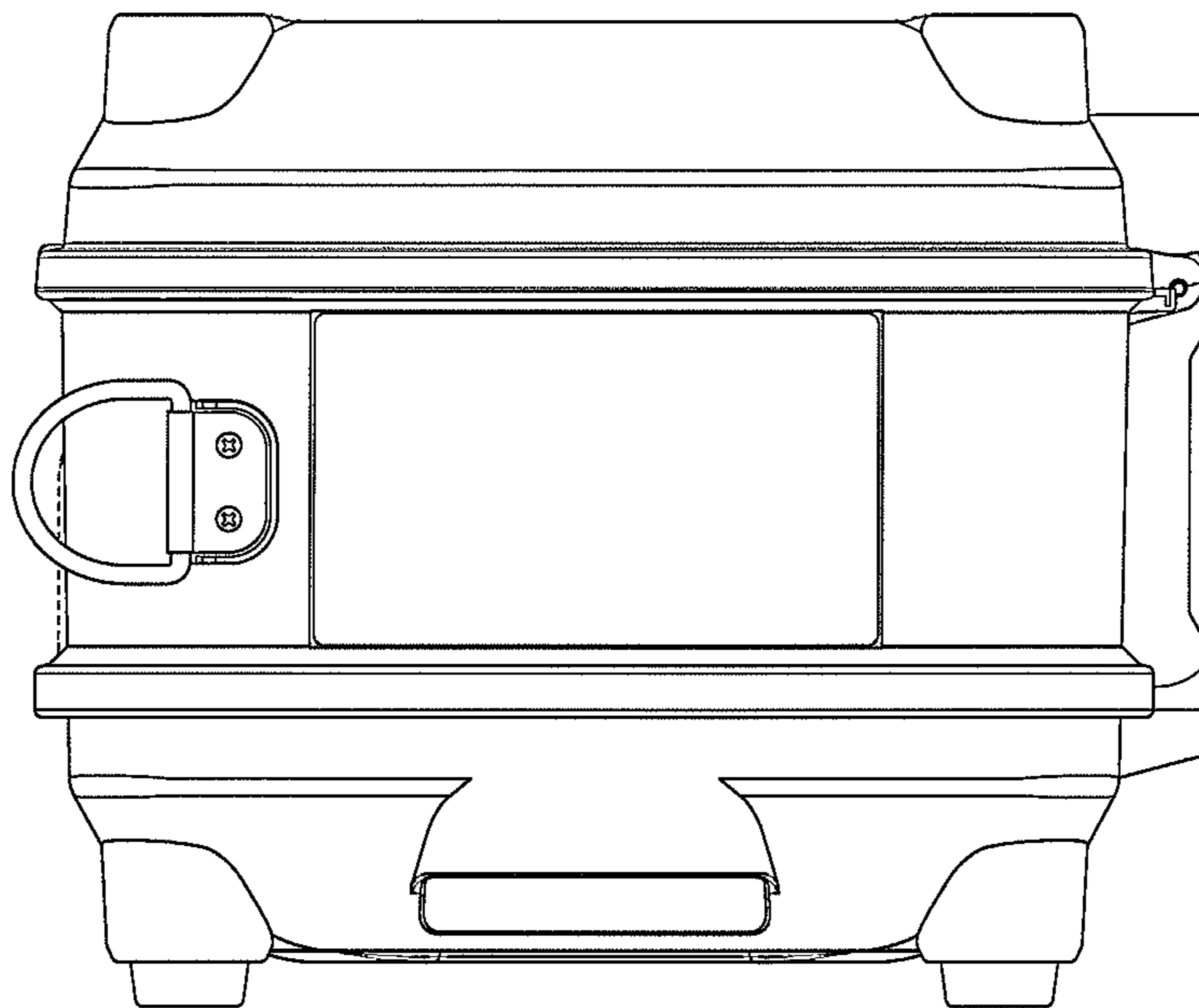


**Fig. 3**

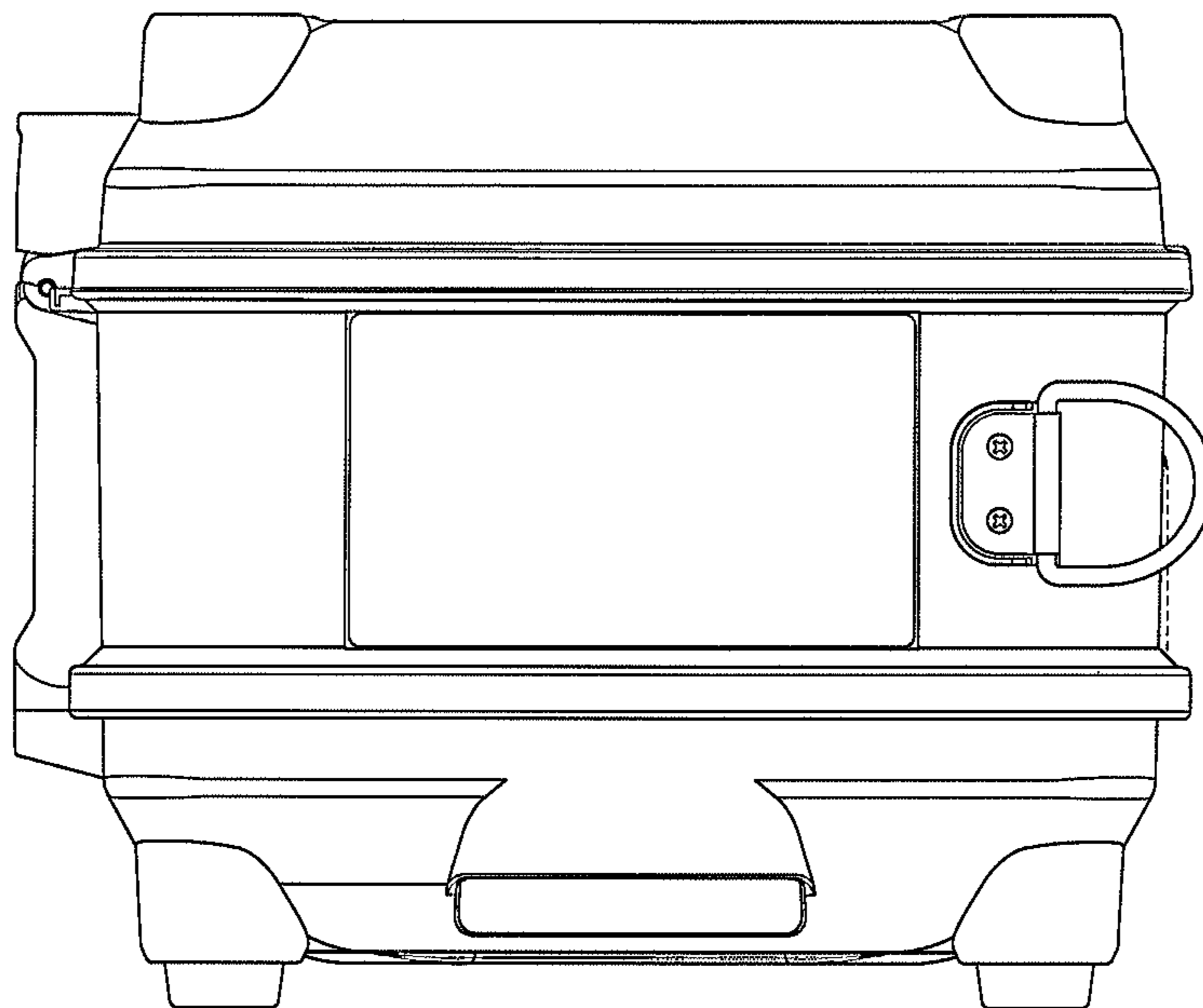




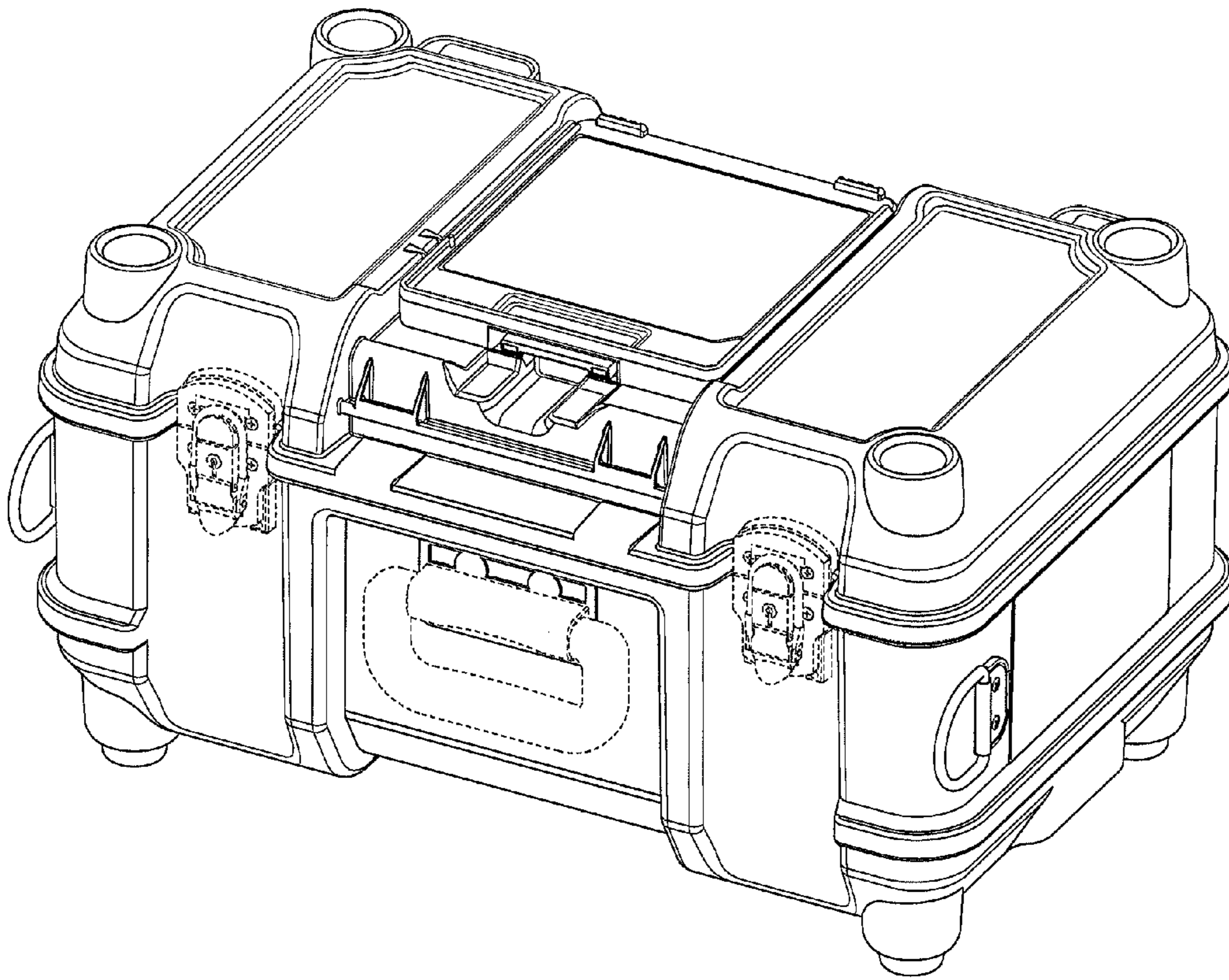
**Fig. 4**



***Fig. 5***

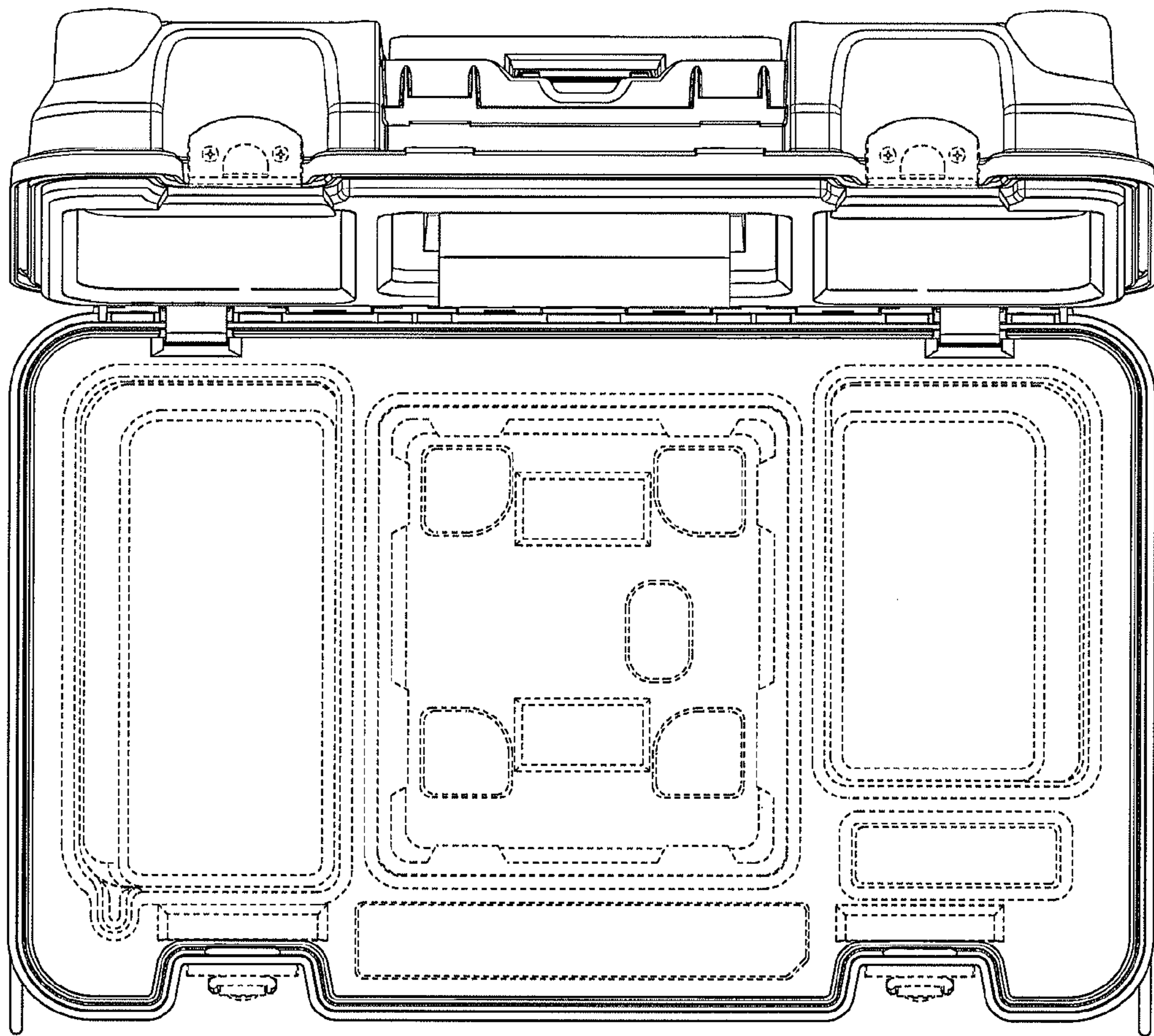


***Fig. 6***

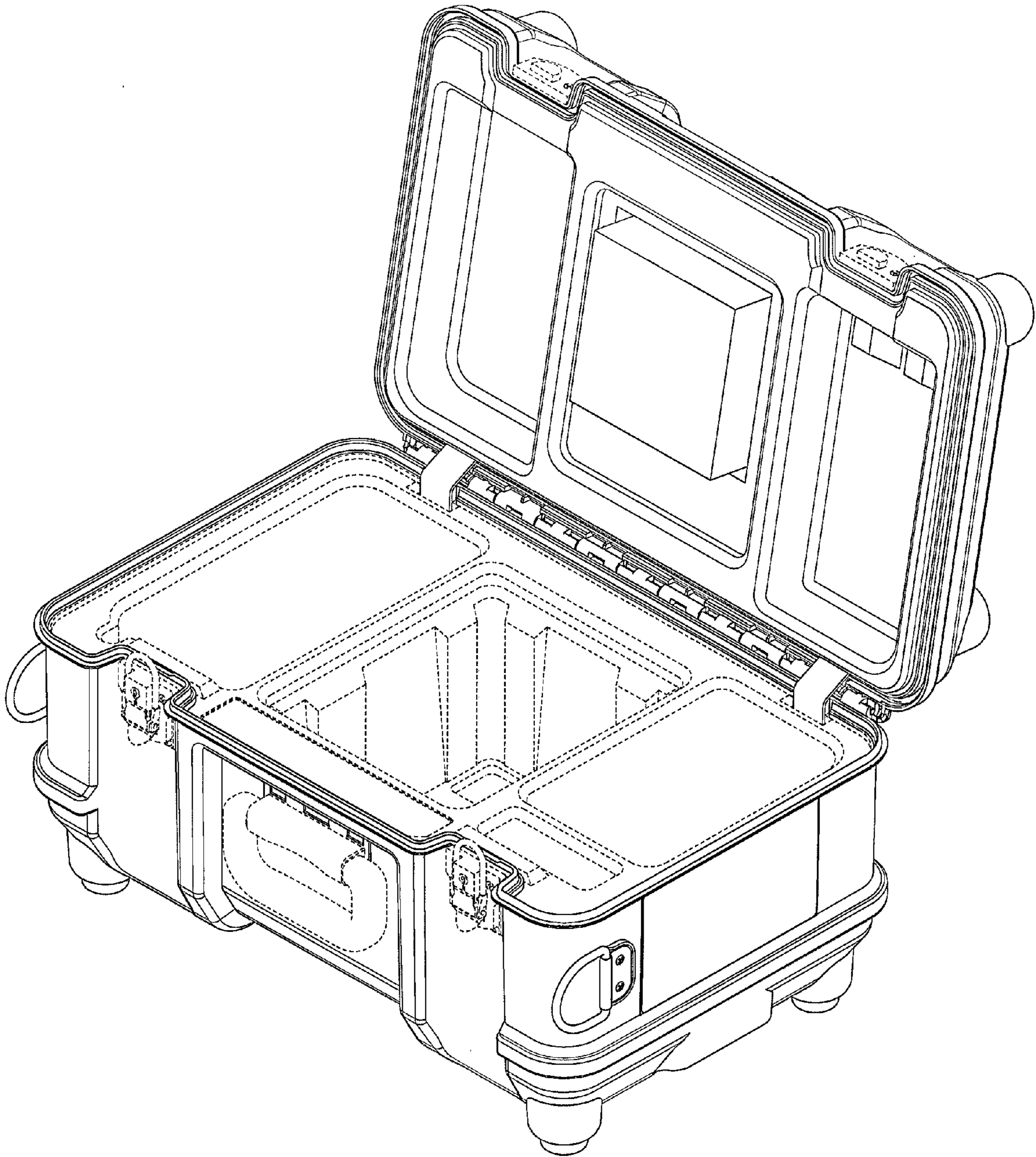


**Fig. 7**

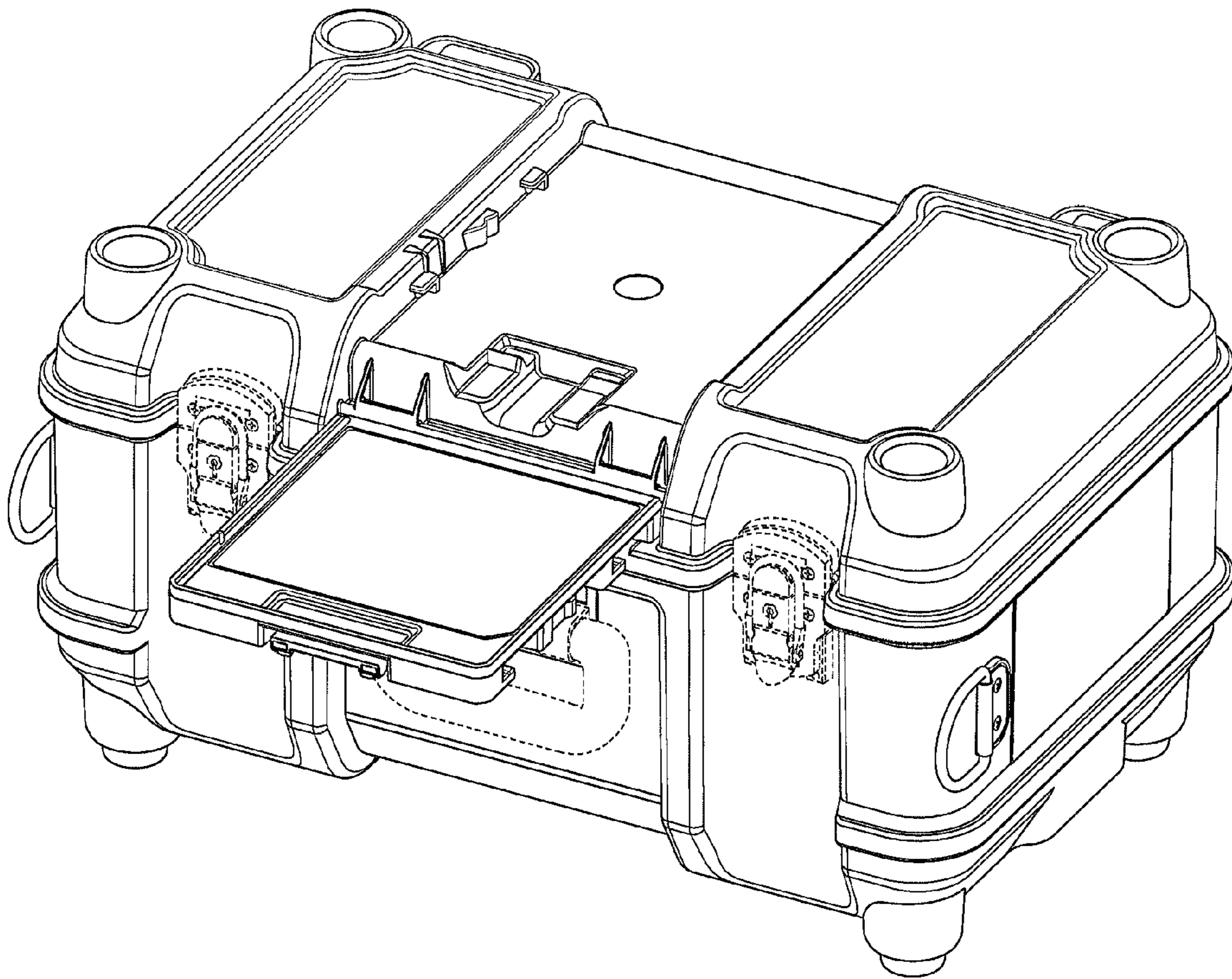




**Fig. 8**

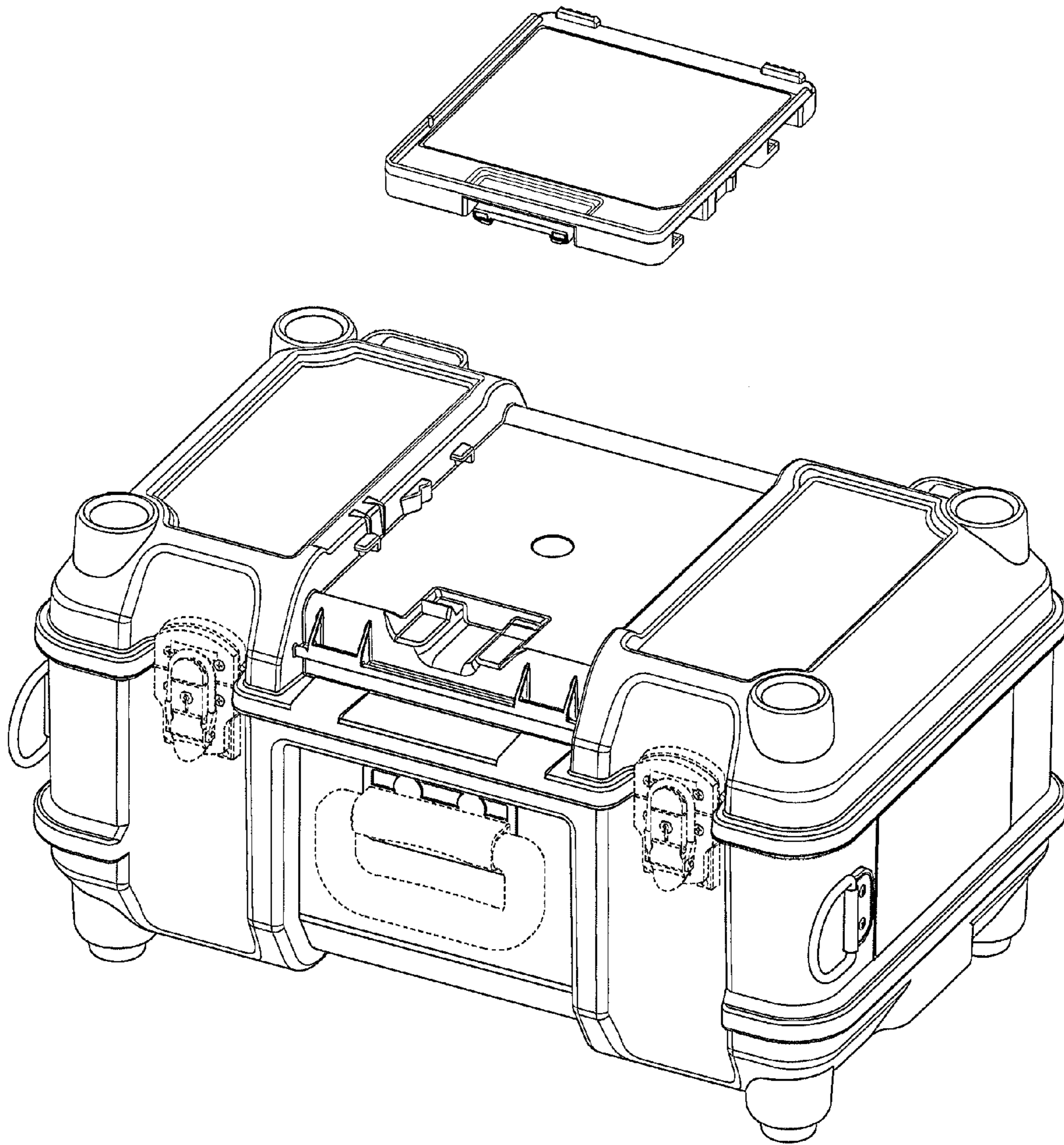


**Fig. 9**



**Fig. 10**





**Fig. 11**

UNITED STATES PATENT AND TRADEMARK OFFICE  
**CERTIFICATE OF CORRECTION**

PATENT NO. : D709,286 S  
APPLICATION NO. : 29/419720  
DATED : July 22, 2014  
INVENTOR(S) : Hiroshi Takayanagi et al.

Page 1 of 1

It is certified that error appears in the above-identified patent and that said Letters Patent is hereby corrected as shown below:

Title page, Item (73) "Assignee"

change "SEI Optrifrontier Co., Ltd." to --SEI Optifrontier Co., Ltd.--

Signed and Sealed this  
Seventh Day of October, 2014



Michelle K. Lee  
*Deputy Director of the United States Patent and Trademark Office*