



US00D709282S

(12) **United States Design Patent**  
**Priebe et al.**

(10) **Patent No.:** **US D709,282 S**

(45) **Date of Patent:** **\*\* \*Jul. 22, 2014**

(54) **PILL CONTAINER**

(71) Applicant: **Apothecary Products, Inc.**, Burnsville, MN (US)

(72) Inventors: **Robert N. Priebe**, Bloomington, MN (US); **Terrance O. Noble**, Burnsville, MN (US)

(73) Assignee: **Apothecary Products, Inc.**, Burnsville, MN (US)

(\*) Notice: This patent is subject to a terminal disclaimer.

(\*\*) Term: **14 Years**

(21) Appl. No.: **29/447,876**

(22) Filed: **Mar. 7, 2013**

(51) **LOC (10) Cl.** ..... **03-01**

(52) **U.S. Cl.**  
USPC ..... **D3/203.3**

(58) **Field of Classification Search**  
USPC ..... D3/201-205; 206/532-540; D10/40  
See application file for complete search history.

(56) **References Cited**

**U.S. PATENT DOCUMENTS**

D466,801	S *	12/2002	Holland	.....	D3/203.3
7,387,207	B2 *	6/2008	Priebe et al.	.....	206/532
D587,005	S *	2/2009	Gardner	.....	D3/203.3
7,494,012	B1 *	2/2009	Priebe et al.	.....	206/538
D627,151	S *	11/2010	Young et al.	.....	D3/203.3

8,381,911	B2 *	2/2013	Buchner et al.	.....	206/538
D684,355	S *	6/2013	Priebe	.....	D3/203.3
8,459,459	B2 *	6/2013	Noble et al.	.....	206/538

\* cited by examiner

*Primary Examiner* — Catheri Oliver-Garcia

(74) *Attorney, Agent, or Firm* — Merchant & Gould P.C.

(57) **CLAIM**

The ornamental design for pill container, as shown and described.

**DESCRIPTION**

FIG. 1 is a perspective view of a first embodiment of a pill container, according to our design;

FIG. 2 is a front view thereof;

FIG. 3 is a rear view thereof;

FIG. 4 is a right view thereof;

FIG. 5 is a left view thereof;

FIG. 6 is a top view thereof;

FIG. 7 is a bottom view thereof;

FIG. 8 is a perspective view of a second embodiment of a pill container, according to our new design, the portions shown in broken lines forming no part of the design sought to be patented;

FIG. 9 is a front view thereof, the portions shown in broken lines forming no part of the design sought to be patented;

FIG. 10 is a rear view thereof, the portions shown in broken lines forming no part of the design sought to be patented;

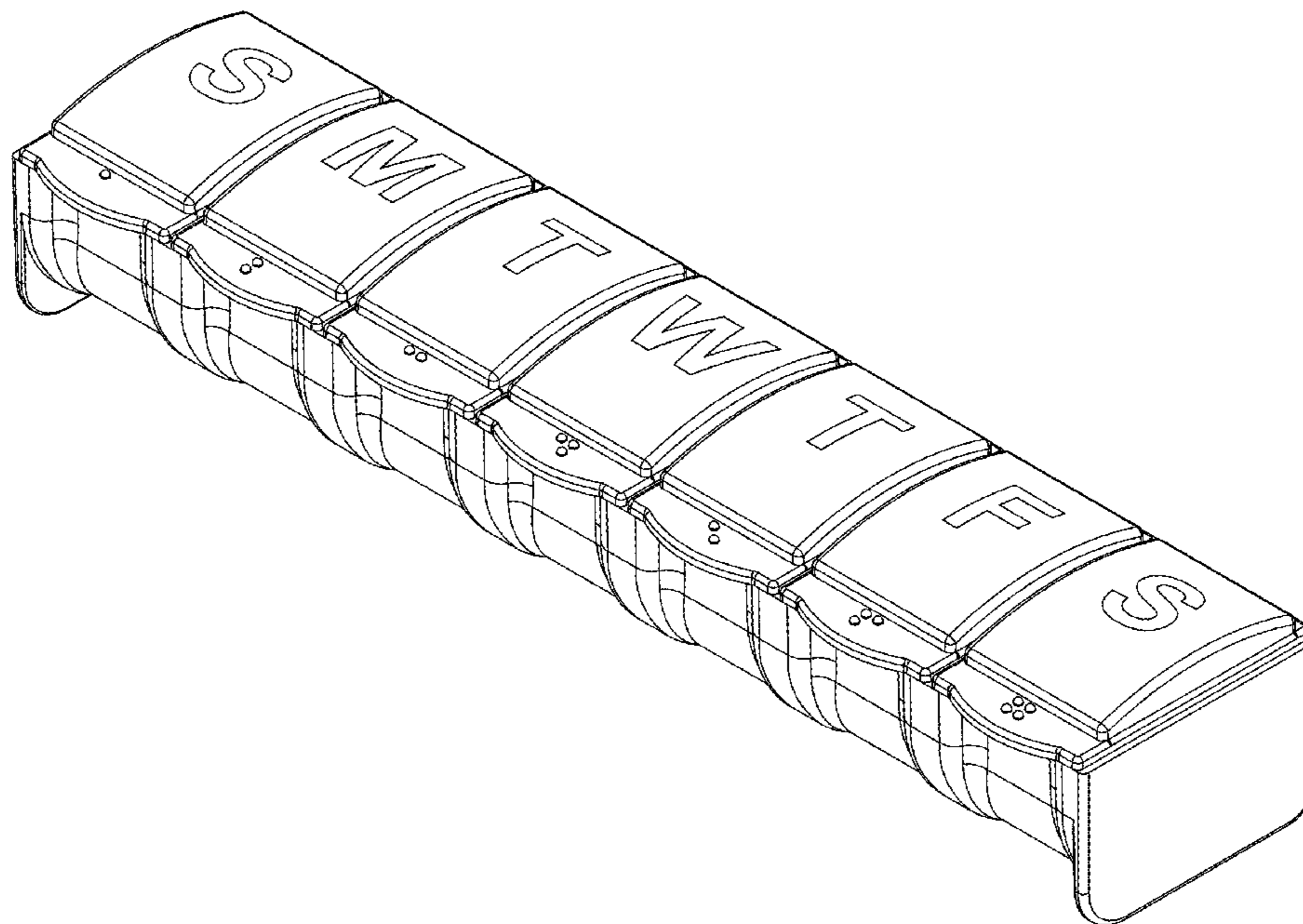
FIG. 11 is a right view thereof, the portions shown in broken lines forming no part of the design sought to be patented;

FIG. 12 is a left view thereof, the portions shown in broken lines forming no part of the design sought to be patented;

FIG. 13 is a top view thereof, the portions shown in broken lines forming no part of the design sought to be patented; and,

FIG. 14 is a bottom view thereof.

**1 Claim, 10 Drawing Sheets**



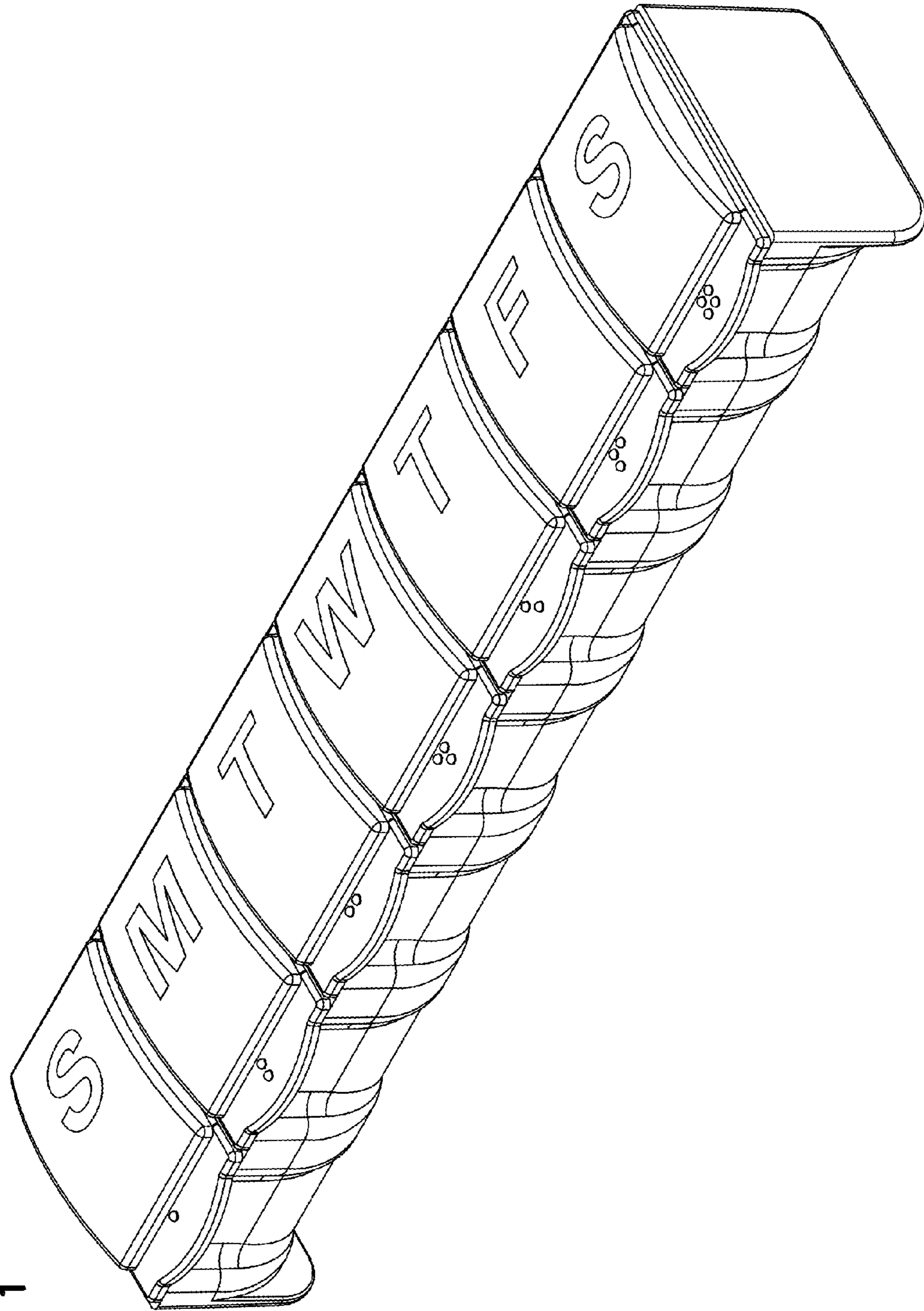


FIG. 1

FIG. 2

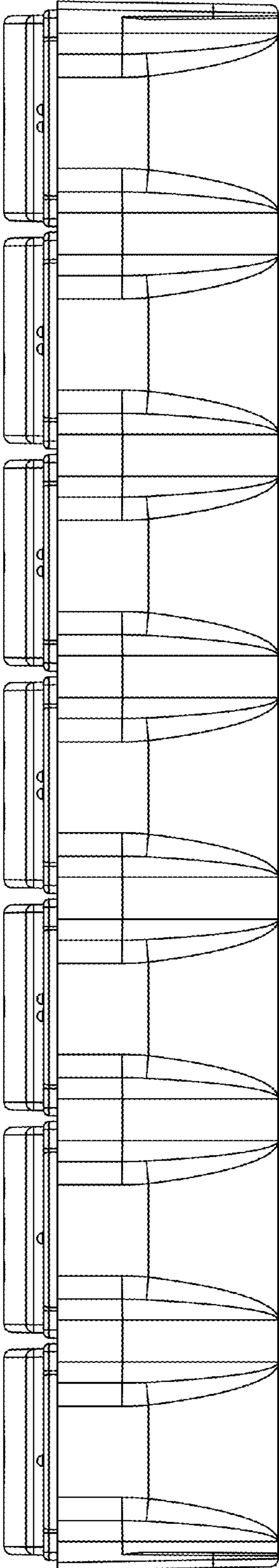


FIG. 3

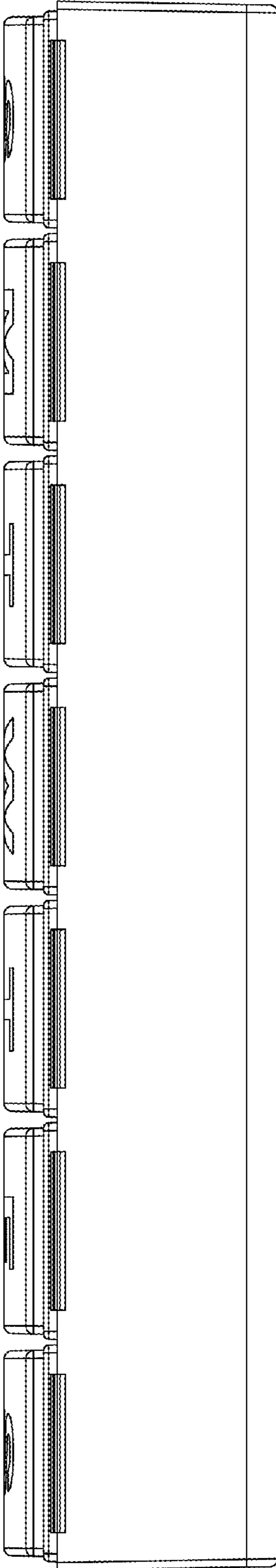


FIG. 4

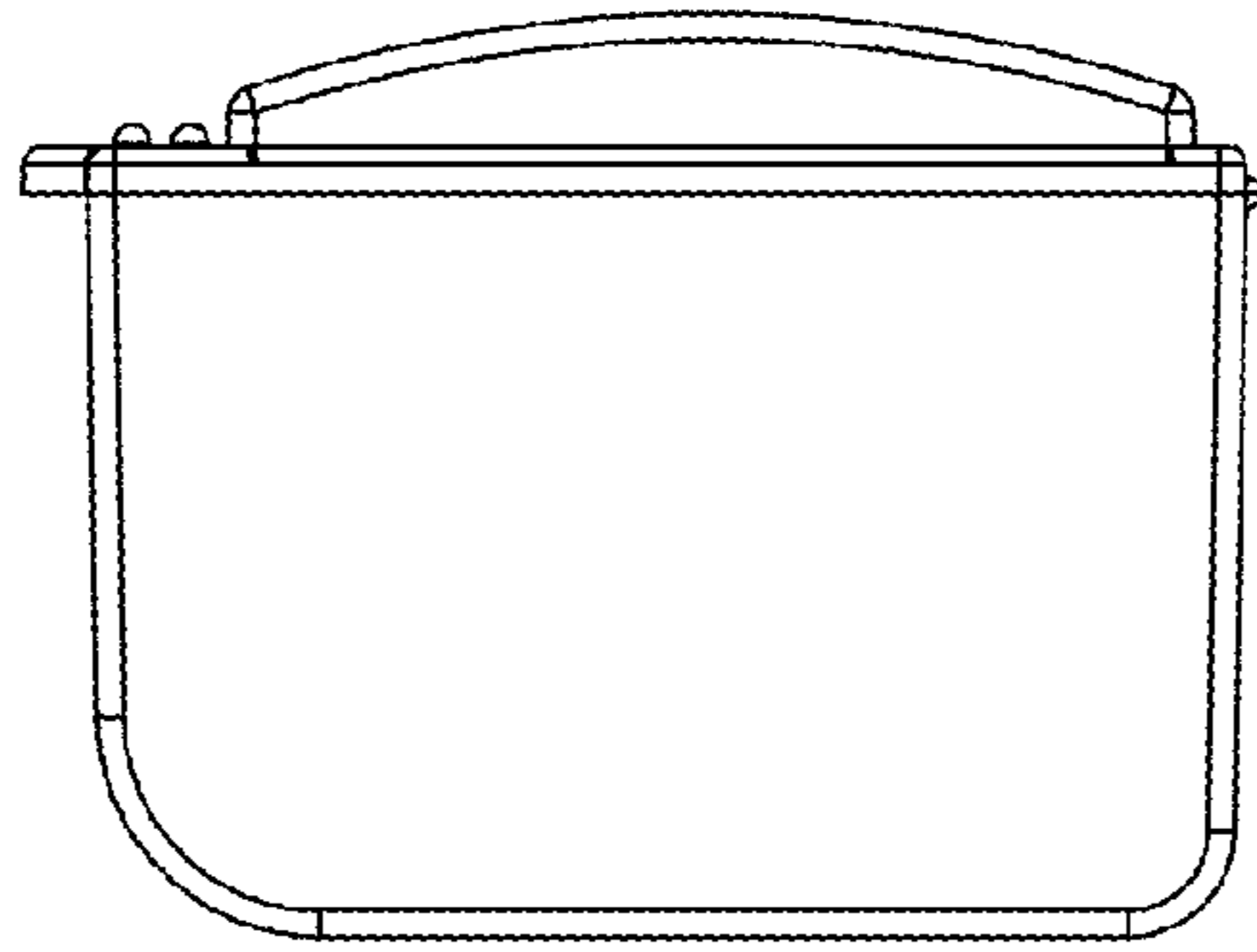


FIG. 5

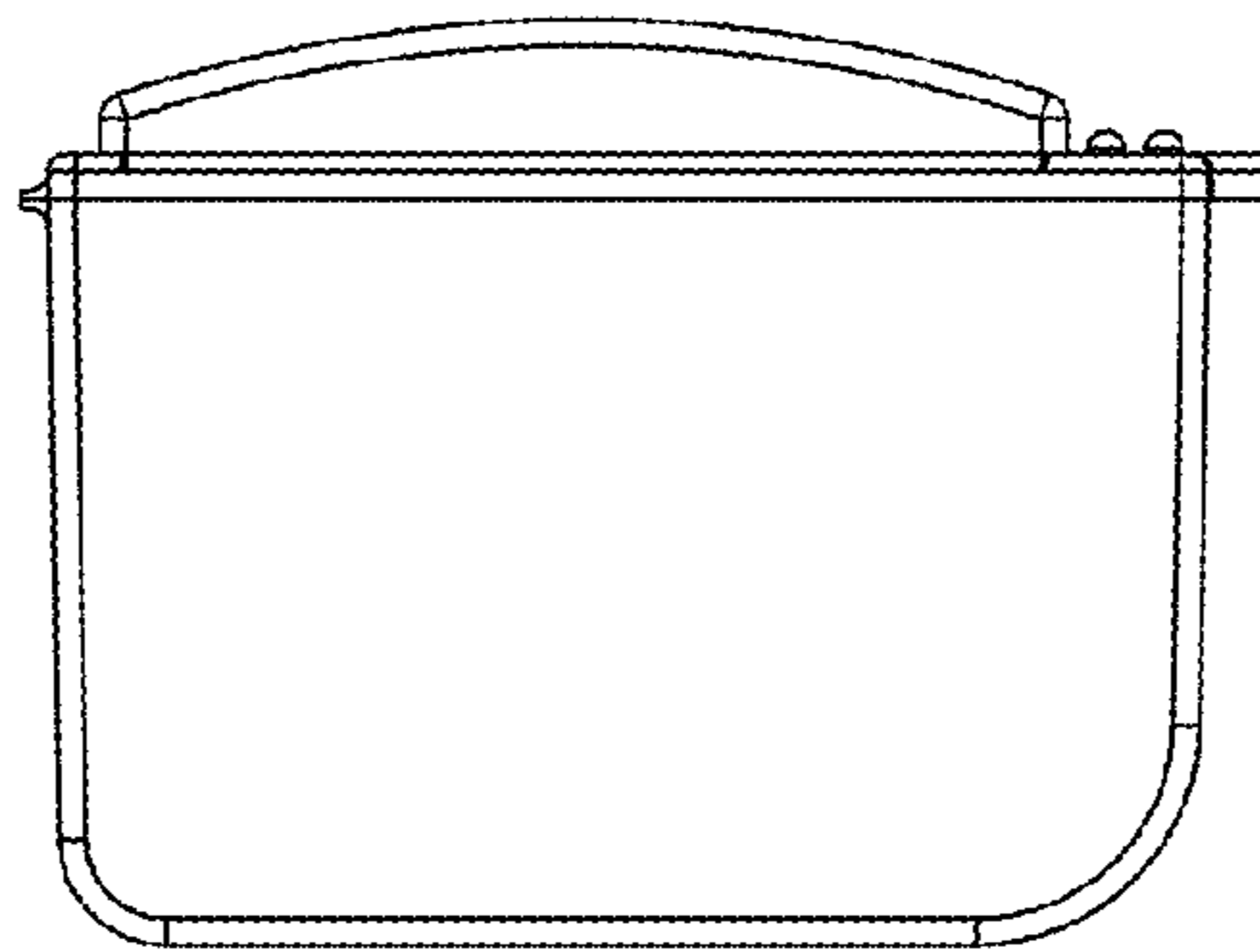


FIG. 6

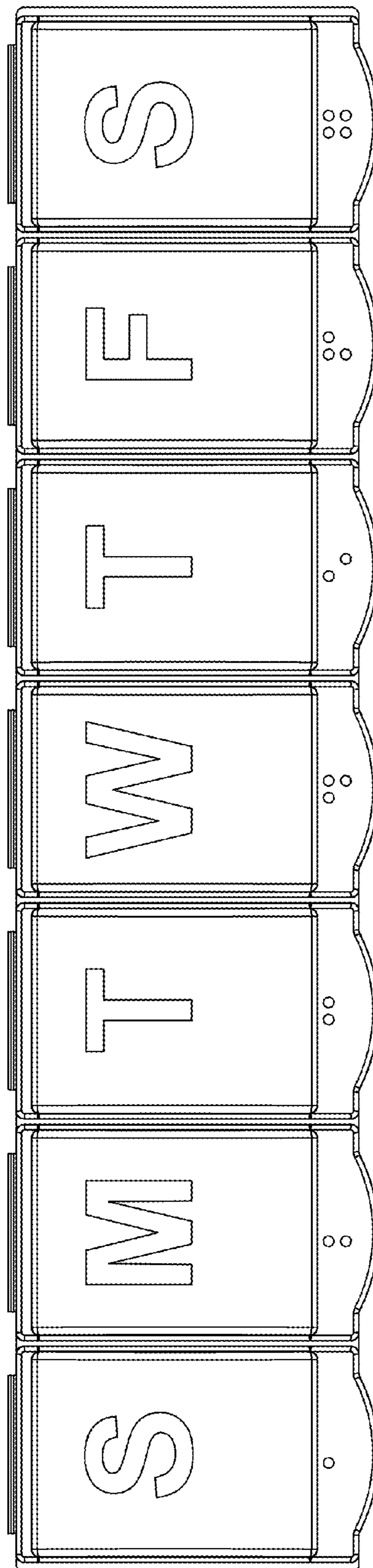
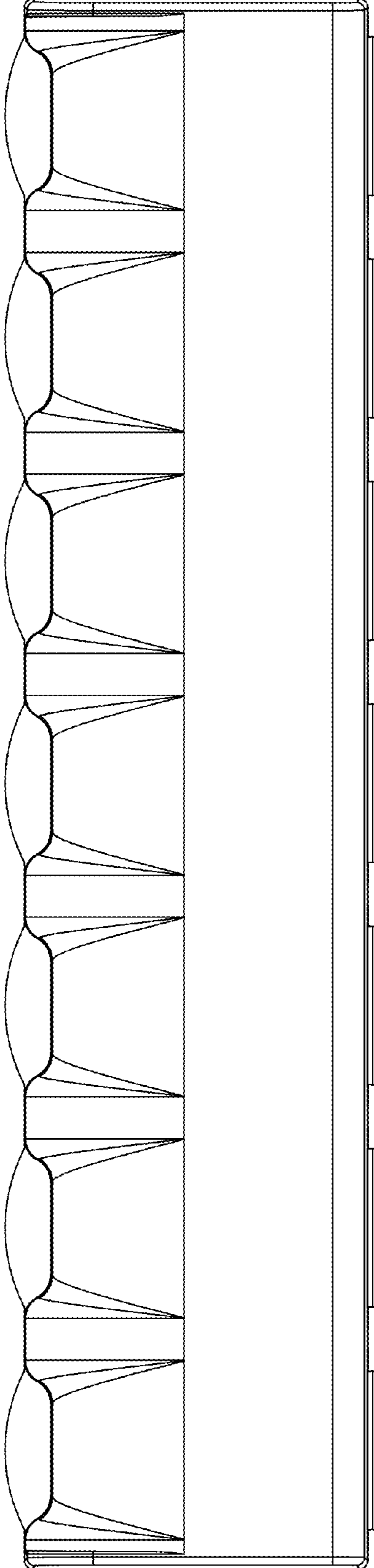


FIG. 7



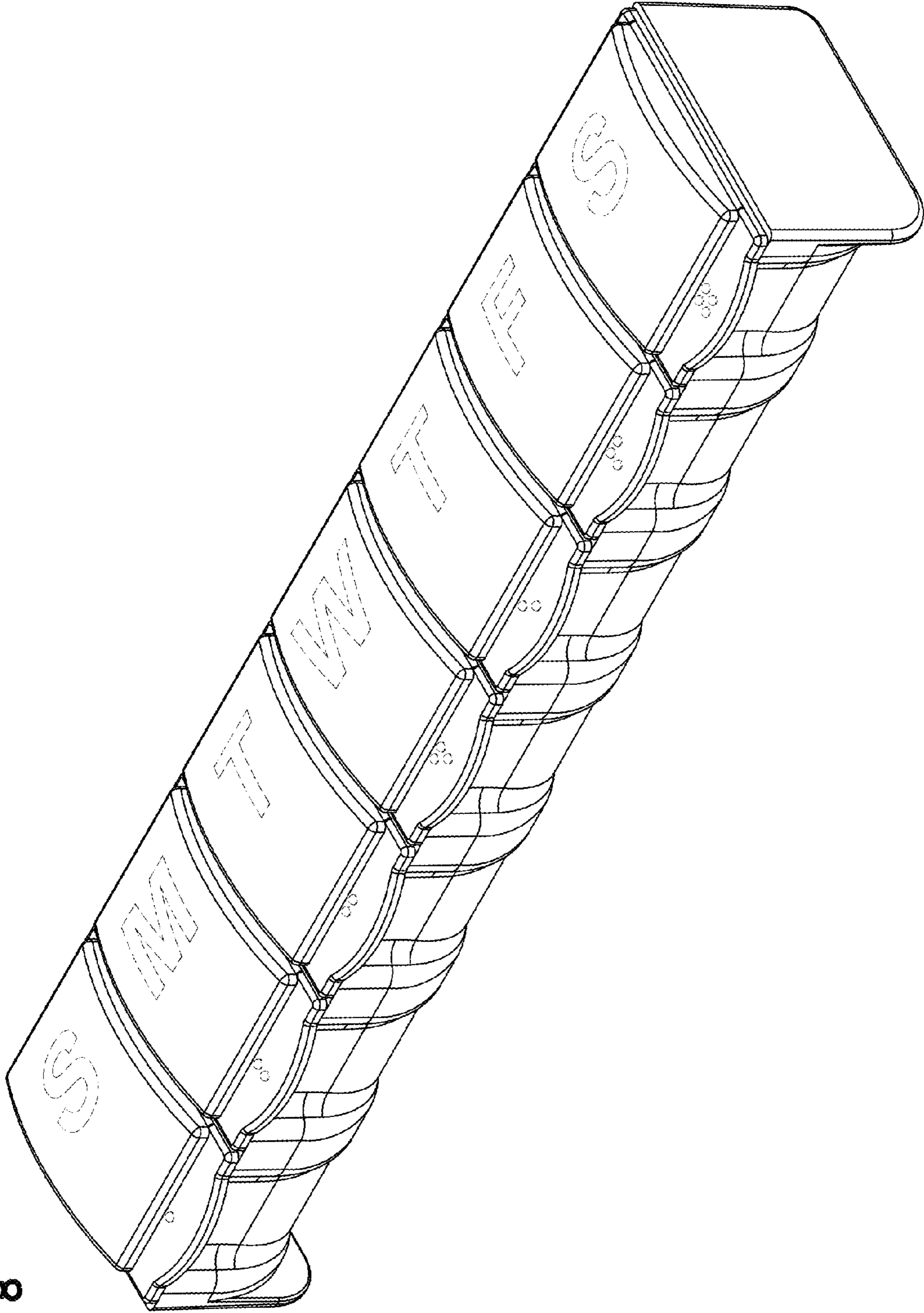


FIG. 8

FIG. 9

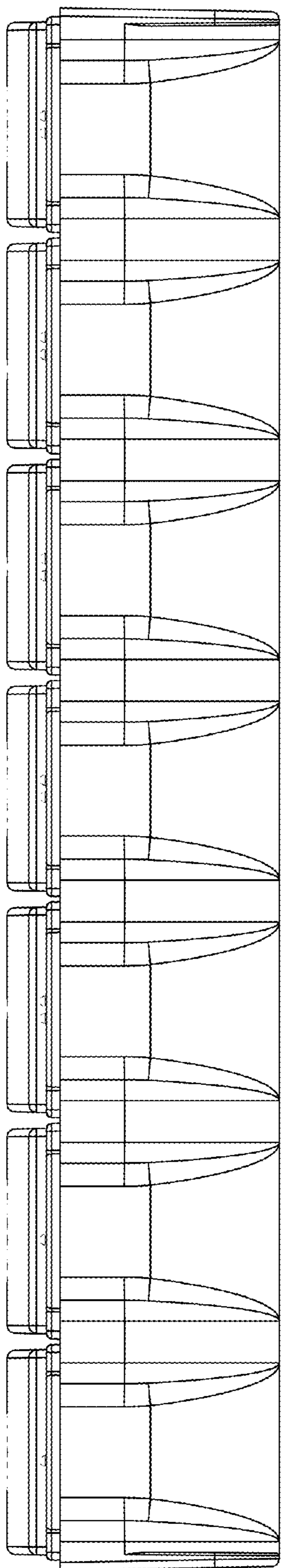


FIG. 10

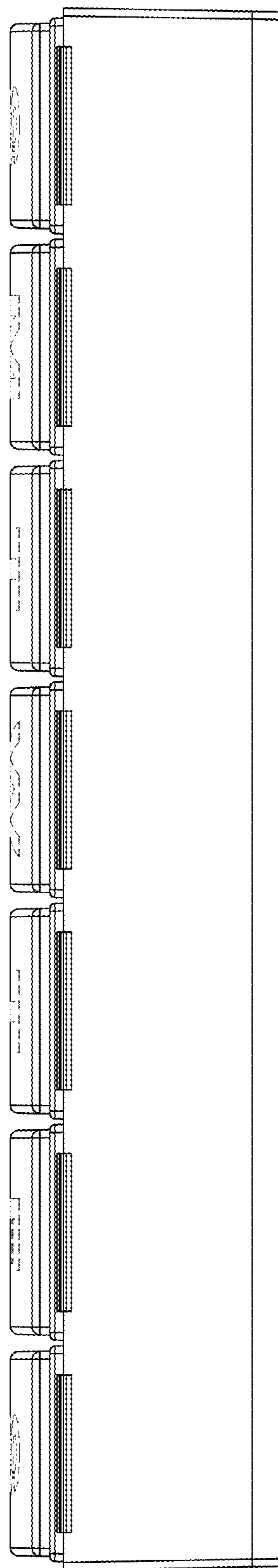




FIG. 11

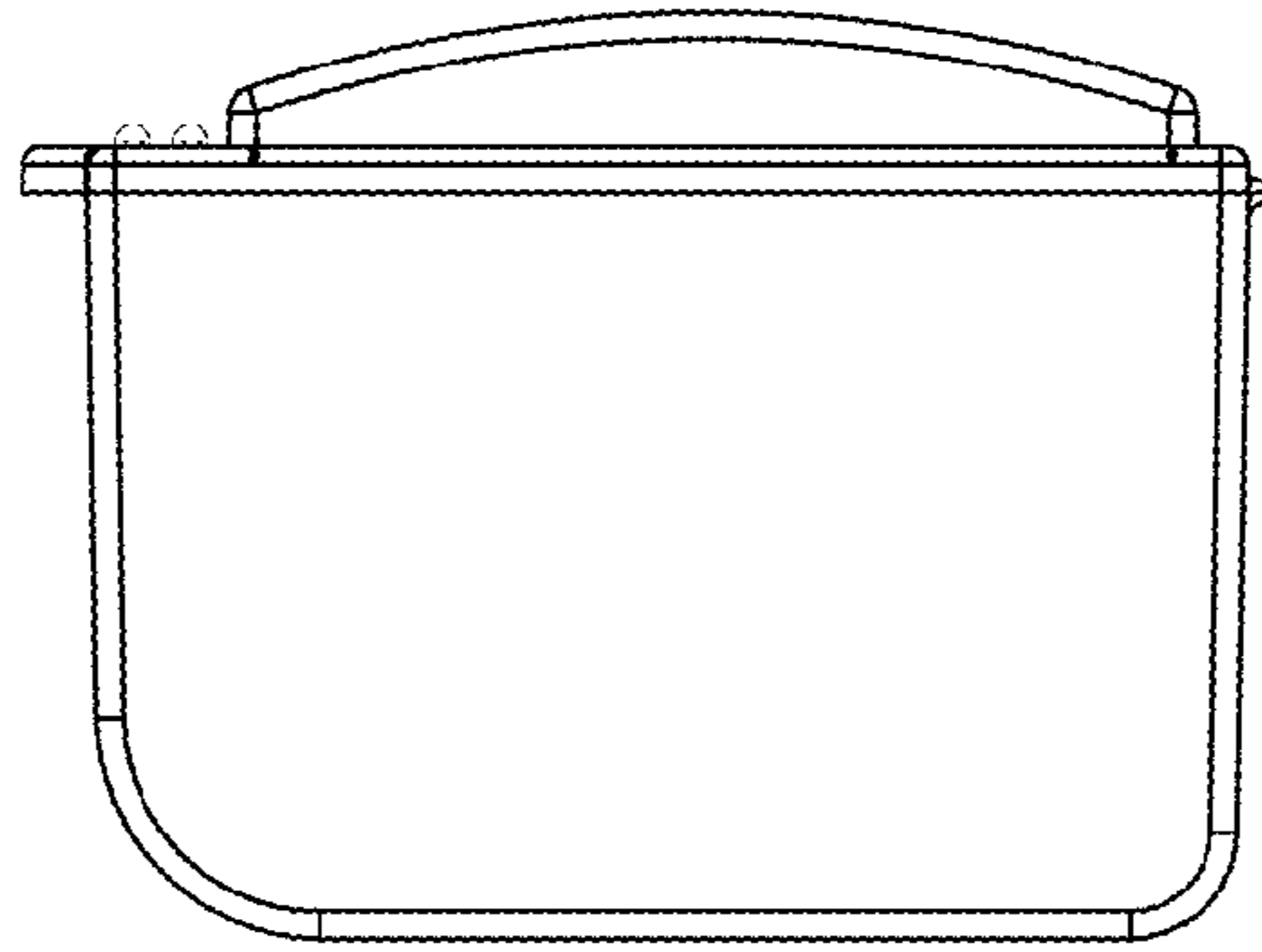


FIG. 12

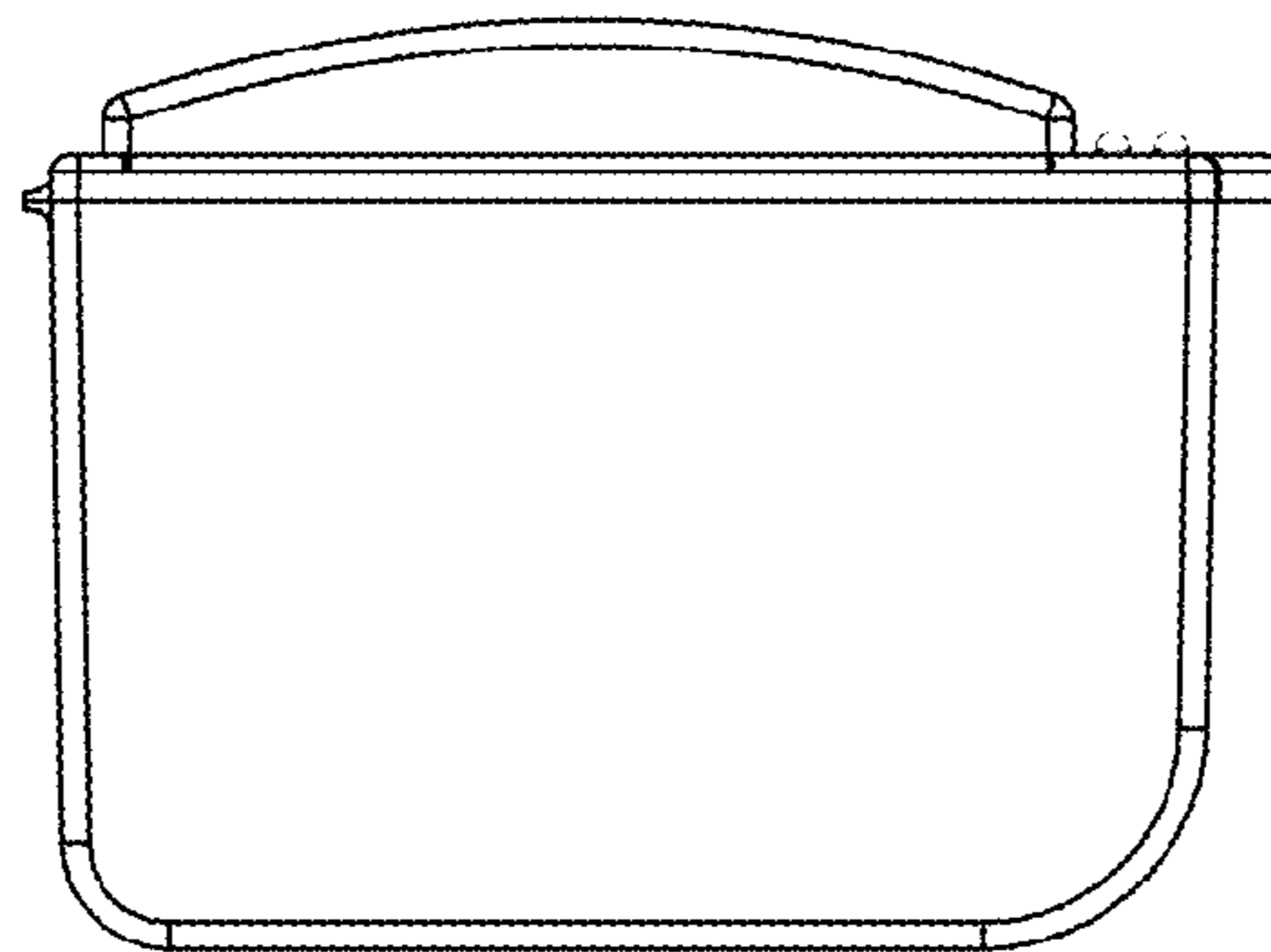


FIG. 13

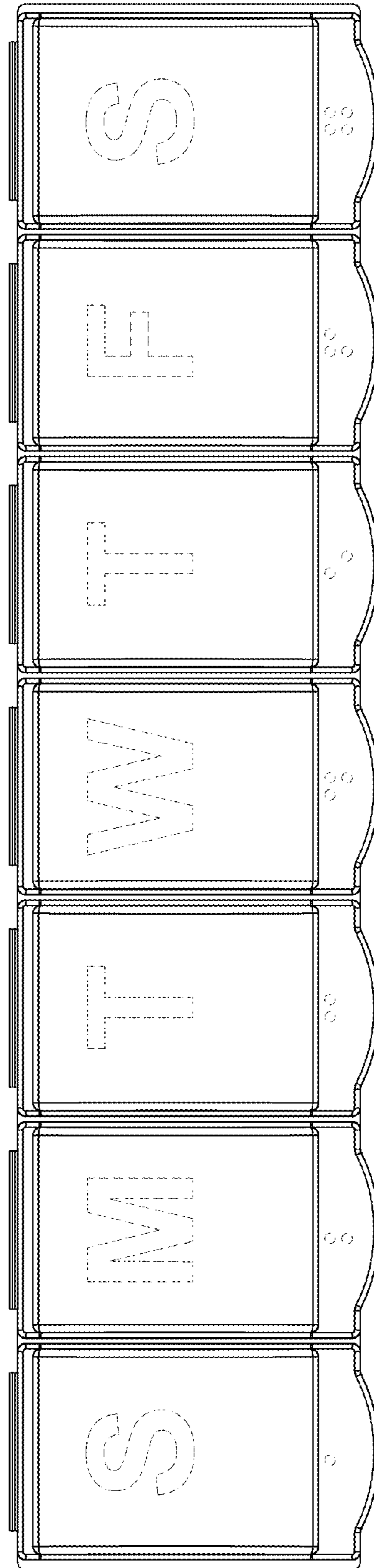


FIG. 14

