



US00D709269S

(12) **United States Design Patent**
Kenney et al.

(10) **Patent No.:** **US D709,269 S**
(45) **Date of Patent:** **** Jul. 22, 2014**

(54) **SHIRT**

(71) Applicant: **NIKE, Inc.**, Beaverton, OR (US)

(72) Inventors: **Kimberly Kenney**, Beaverton, OR (US);
Marguerite Hill Nelson, Portland, OR (US)

(73) Assignee: **NIKE, Inc.**, Beaverton, OR (US)

(**) Term: **14 Years**

(21) Appl. No.: **29/473,883**

(22) Filed: **Nov. 26, 2013**

Related U.S. Application Data

(63) Continuation-in-part of application No. 29/455,256, filed on May 17, 2013, now Pat. No. Des. 696,488.

(51) **LOC (10) Cl.** **02-02**

(52) **U.S. Cl.**
USPC **D2/849**; D2/717

(58) **Field of Classification Search**
USPC D2/717, 739, 749, 750, 840, 849; 2/90,
2/106, 115
See application file for complete search history.

(56) **References Cited**

U.S. PATENT DOCUMENTS

448,042 A	3/1891	Hyman	
D76,457 S	10/1928	Burr	
D95,892 S *	6/1935	Boepple	D2/750
D113,824 S	3/1939	Stricker	
2,369,416 A *	2/1945	Solomon	2/115
D151,776 S	11/1948	Levine	
D164,691 S	10/1951	Kaye	
D192,135 S	1/1962	Tiso	
3,078,699 A	2/1963	Huntley	
D250,146 S	11/1978	Morgan	
D259,746 S	7/1981	Dahlgard	
D278,477 S	4/1985	Mizuno	

D299,280 S	1/1989	Williams	
5,105,478 A	4/1992	Pyc	
5,608,913 A	3/1997	Lacoste	
5,692,239 A	12/1997	Lewis	
D421,674 S *	3/2000	King	D2/750
6,148,445 A	11/2000	Spruill	
D438,365 S	3/2001	Matrasingh	
D457,709 S	5/2002	Davis	
6,694,528 B1	2/2004	Chang	

(Continued)

OTHER PUBLICATIONS

Popscreen. <http://www.popscreen.com/p/MTMzNTE2MjAy/-Cornhuskers-Womens-Red-adidas-3Stripe-TShirt-Sports-Outdoors>. Copyright 2013. "Cornhuskers Womens Red adidas 3 Stripe T Shirt: Sports & Outdoors".*

(Continued)

Primary Examiner — Rashida Johnson

(74) *Attorney, Agent, or Firm* — Banner & Witcoff, Ltd.

(57) **CLAIM**

The ornamental design for a shirt, as shown and described.

DESCRIPTION

FIG. 1 is a rear perspective view of a shirt showing our new design;

FIG. 2 is a rear view thereof;

FIG. 3 is a front view thereof;

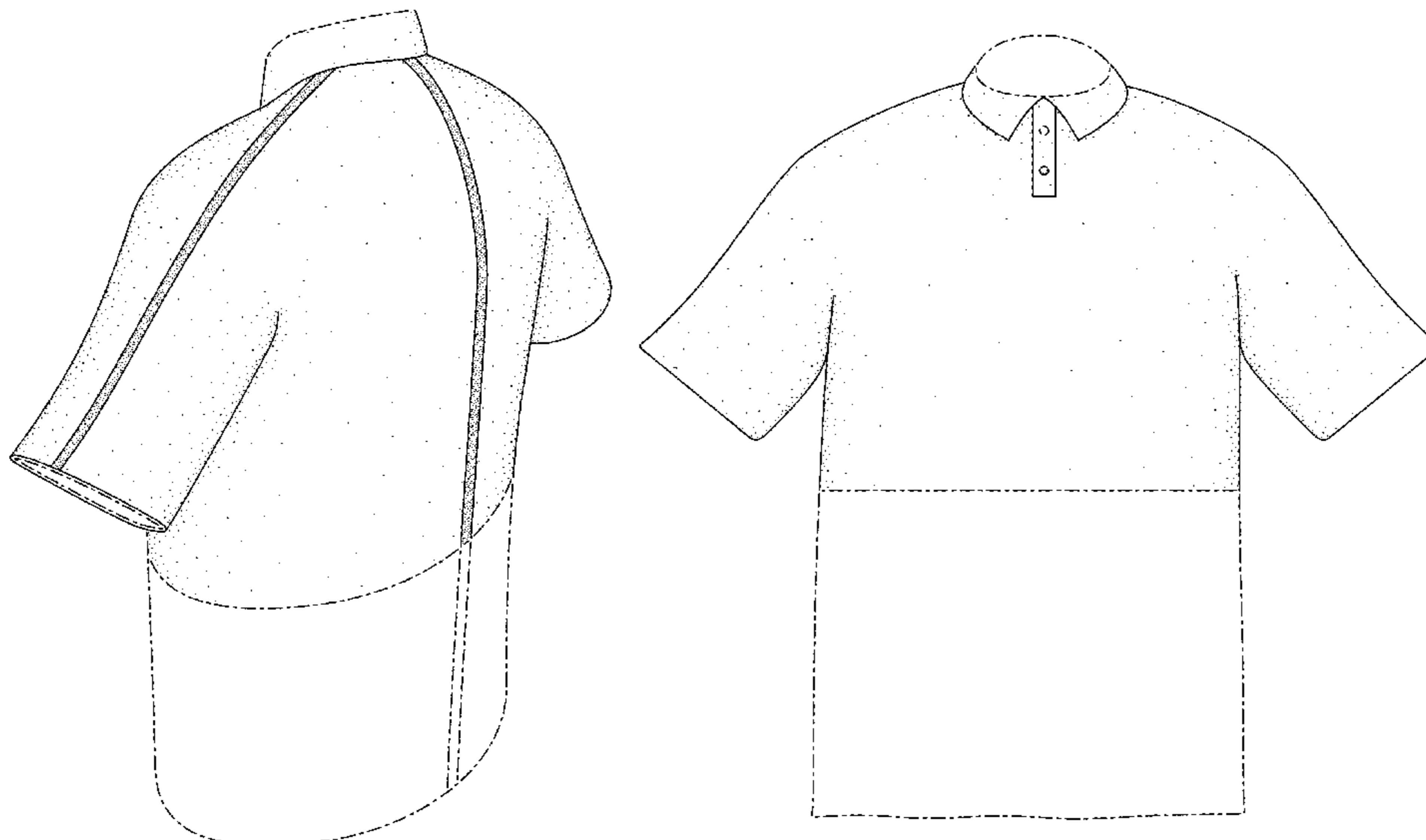
FIG. 4 is a right side view thereof;

FIG. 5 is a left side view thereof; and,

FIG. 6 is a top view thereof.

The broken lines immediately adjacent to the shaded area represent unclaimed boundaries of the design. The contrast in shading represents a contrast in appearance only and does not represent any particular color, material, texture or finish. The broken lines showing the remainder of the shirt are for environmental purposes only and form no part of the claimed design.

1 Claim, 6 Drawing Sheets



(56)

References Cited

U.S. PATENT DOCUMENTS

D491,713	S	6/2004	Wilson et al.	
D505,768	S	6/2005	Dallas et al.	
D512,552	S	12/2005	Benini	
D525,412	S	7/2006	O'Mahony	
D550,427	S	9/2007	Moore	
D564,182	S	3/2008	Wiens	
7,356,851	B2	4/2008	Spruill	
D619,783	S	7/2010	Jones et al.	
D629,588	S	12/2010	Scott-Curran	
7,913,323	B2	3/2011	Takamoto et al.	
7,941,871	B1	5/2011	Jorgensen	
D648,925	S	11/2011	Anderson et al.	
D649,331	S	11/2011	Lambertz	
D650,154	S	12/2011	Saavedra	
8,087,095	B2	1/2012	Maier	
D691,782	S *	10/2013	Meredith D2/840
D693,094	S *	11/2013	Pasloski D2/750
2002/0078485	A1	6/2002	Ferreiro	
2005/0015865	A1	1/2005	Chaix et al.	
2007/0028351	A1	2/2007	Coolik	

2007/0294801	A1	12/2007	Furgerson et al.
2010/0218298	A1	9/2010	Stattelmann et al.
2010/0229278	A1	9/2010	Bates
2010/0242151	A1	9/2010	Mather
2011/0302686	A1	12/2011	Chapuis
2012/0128943	A1	5/2012	Wangbunyen et al.

OTHER PUBLICATIONS

Shop2Wear. <http://www.shop2wear.com/product.asp?idProduct=Greece-Soccer-Jersey,-Greece-Olympic-T-Shirts-pzx-571>. Date Unknown: Copyright 2005-2013. "Greece Soccer Jersey". *

Adidas Clima365 Climacool Formotion Soccer Jersey Shirt; Ebay website—<http://www.ebay.com/itm/Adidas-Clima365-Climacool-Formotion-Soccer-Jersey-Shirt-Mens-M-Football/400610352008>; Oct. 2013; 1 page.

US National Team Soccer Jersey; Kckrs website—<http://www.kckrs.com/the-new-us-soccer-jersey-will-spawn-a-million-where-waldo-jokes/>; Apr. 2012; 5 pages.

* cited by examiner

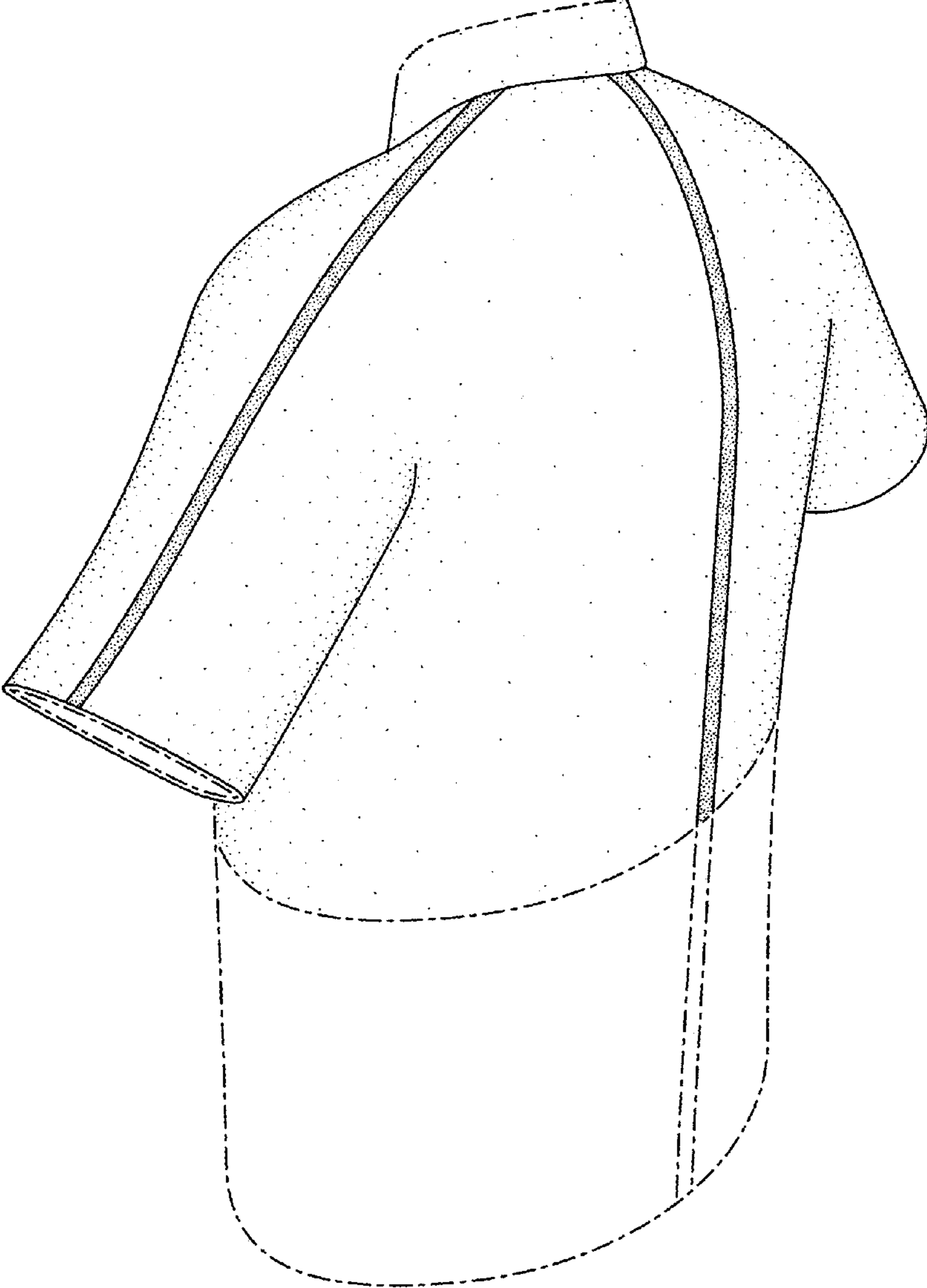


FIG. 1

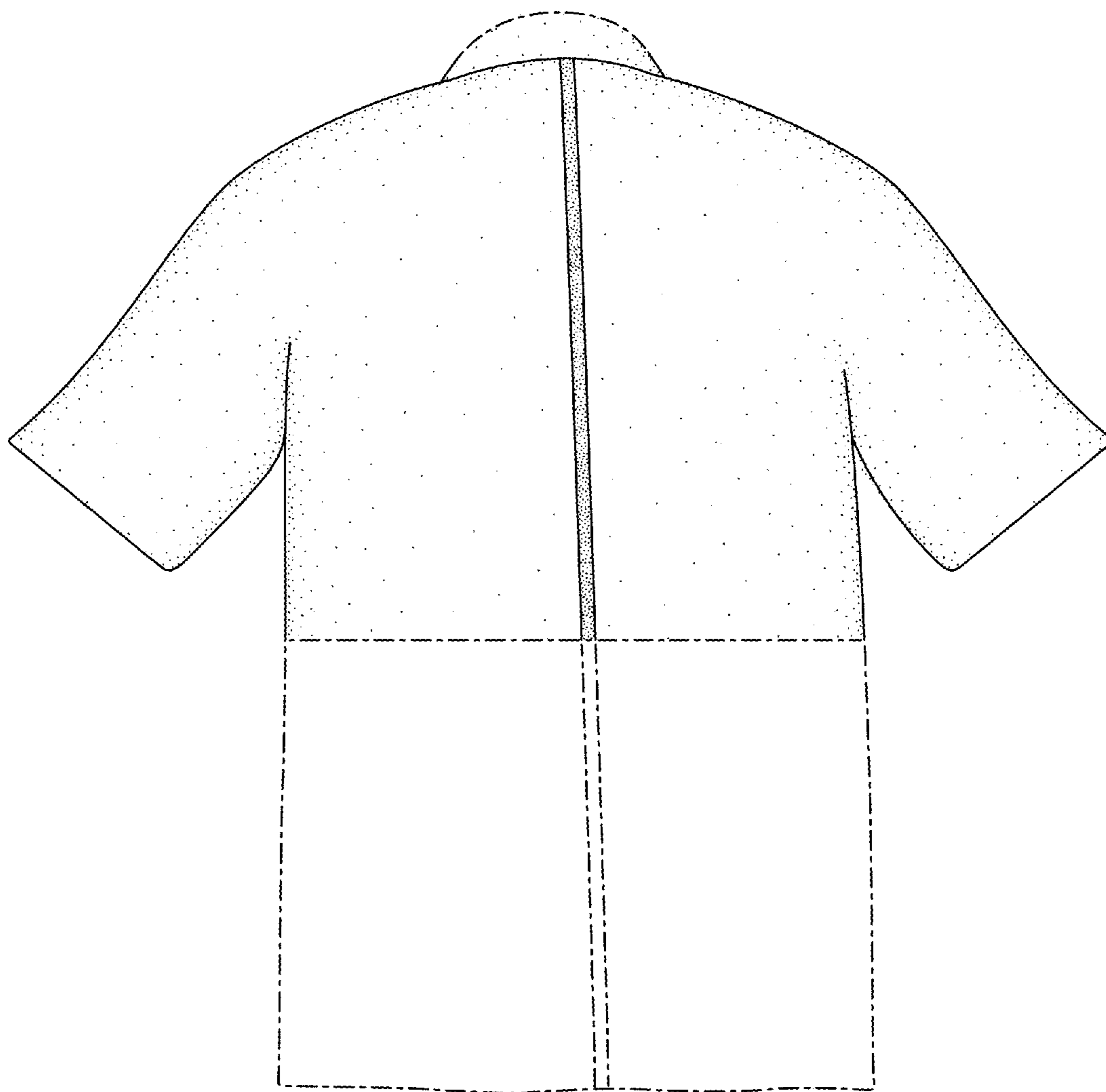


FIG. 2

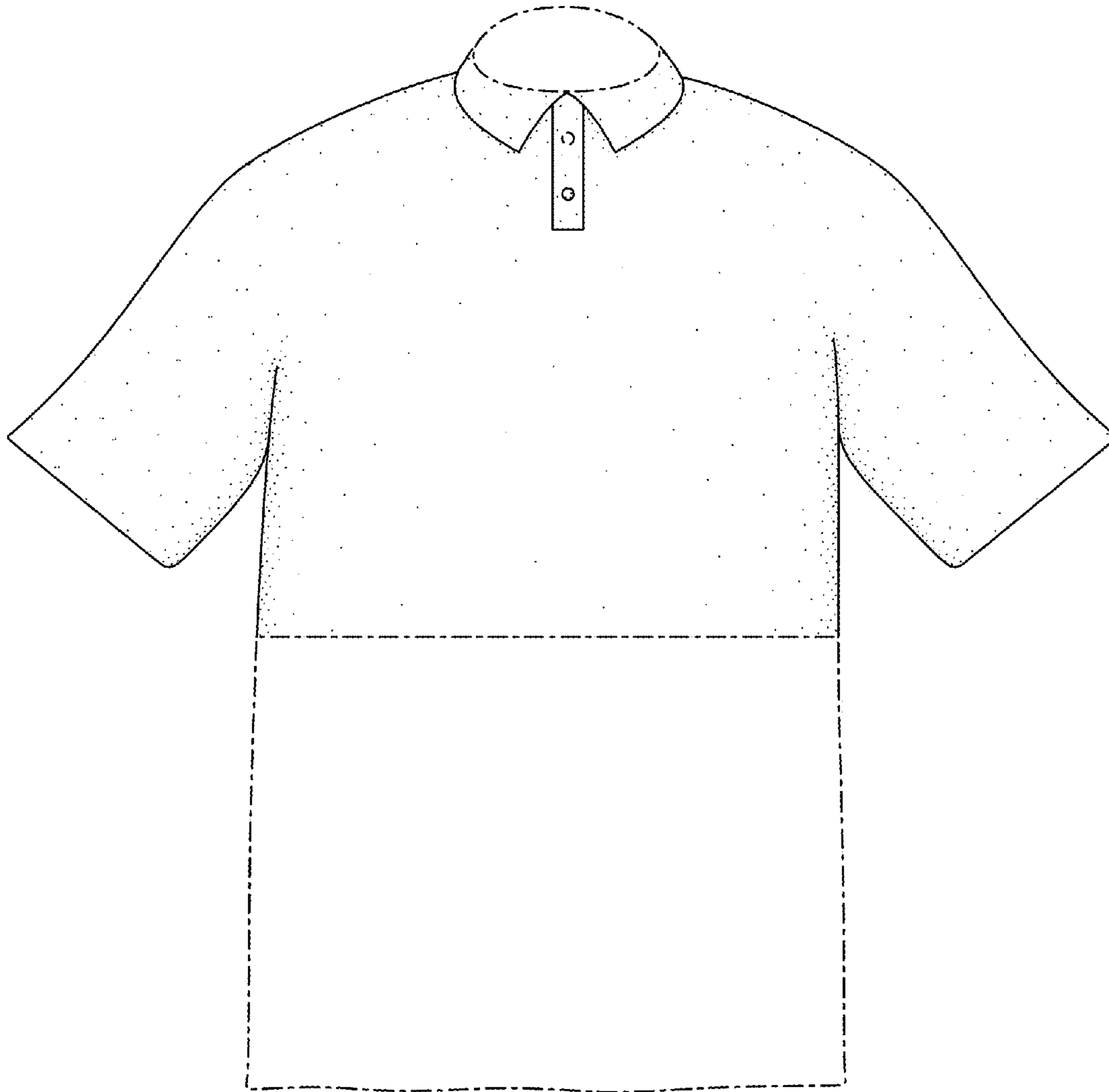


FIG. 3

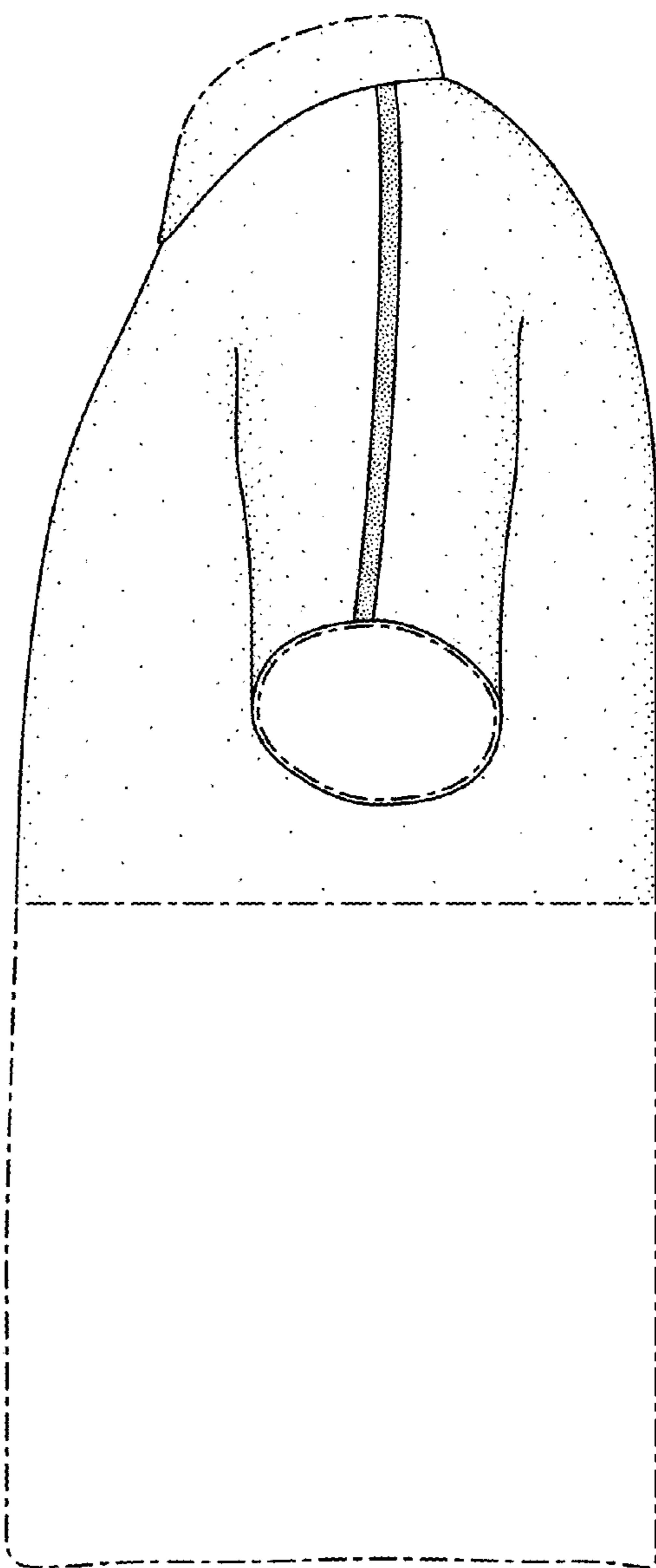


FIG. 4

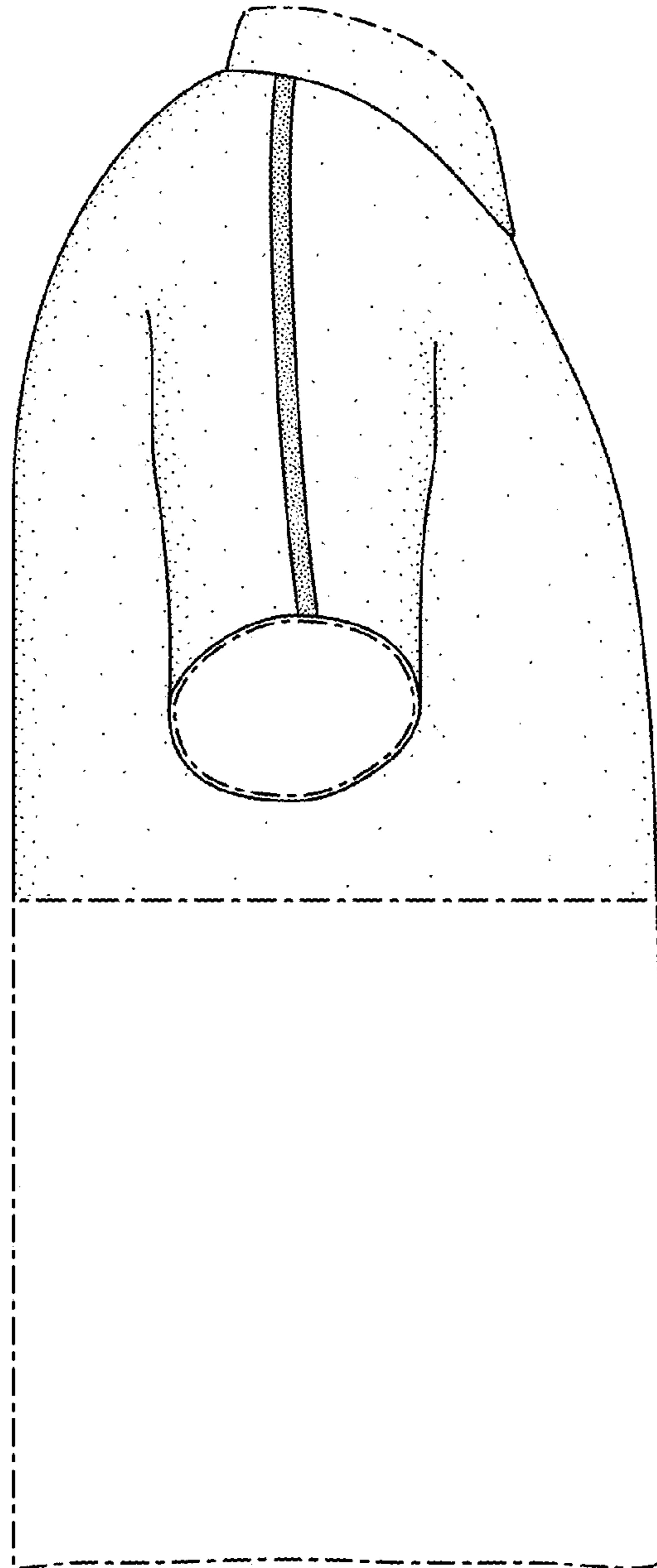


FIG. 5

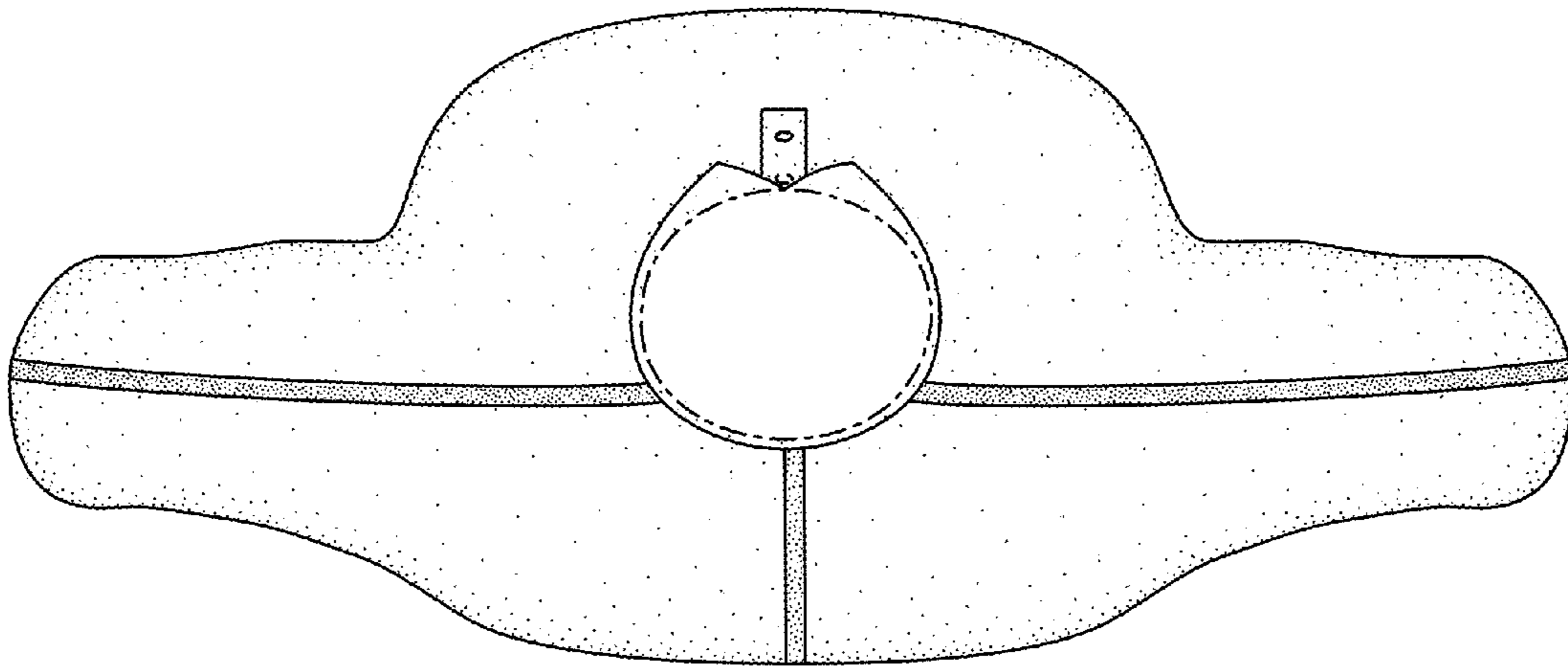


FIG. 6