



US00D709264S

(12) **United States Design Patent**  
**Lee et al.**

(10) **Patent No.:** **US D709,264 S**  
(45) **Date of Patent:** **\*\* Jul. 15, 2014**

(54) **AUTOMATED TELLER MACHINE**

(71) Applicant: **Nautilus Hyosung Inc.**, Seoul (KR)

(72) Inventors: **Hee Youn Lee**, Sungnam-si (KR);  
**Keon-uk Park**, Seoul (KR); **Jae Min Park**, Anyang-si (KR); **Jae Min Cha**, Sungnam-si (KR)

(73) Assignee: **Nautilus Hyosung Inc.**, Seoul (KR)

(\*\*) Term: **14 Years**

(21) Appl. No.: **29/460,819**

(22) Filed: **Jul. 15, 2013**

(30) **Foreign Application Priority Data**

Mar. 27, 2013 (KR) ..... 30-2013-0015707

(51) **LOC (10) Cl.** ..... **20-01**

(52) **U.S. Cl.**  
USPC ..... **D99/28**

(58) **Field of Classification Search**

CPC . G06Q 20/10; G06Q 20/108; G06Q 20/1085;  
G06Q 20/18; G07D 1/00; G07D 11/00;  
G07D 1/02; G07D 1/04; G07D 1/06; G07D  
9/002; G07D 9/04; G07F 19/20; G07F  
19/201; G07F 19/202; G07F 19/203; G07F  
19/204; G07F 19/205; G07F 19/21; G07F  
7/04; G07F 5/00; G07F 1/00; E05G 7/001;  
E05G 1/06; A63H 33/00; A63H 33/005  
USPC ..... D99/28, 34, 35, 36, 43, 99;  
D14/300-302, 305, 307, 900-902;  
D18/3.1-3.3, 4.1-4.6, 12.1-12.3;  
D21/324, 325, 329, 369, 370; 101/66;  
109/1 R, 1 V, 2, 23, 24.1, 25, 58, 58.5,  
109/66; 446/8-13; 705/16, 17, 18, 42, 43,  
705/44, 45; 235/51, 379, 380, 381, 382,  
235/382.5, 386; 206/0.8, 0.81, 0.815, 0.82,  
206/0.83, 0.84

See application file for complete search history.

(56) **References Cited**

U.S. PATENT DOCUMENTS

D420,487 S *	2/2000	Swaine	.....	D99/28
D427,742 S *	7/2000	McCormack et al.	.....	D99/28
D429,401 S *	8/2000	Sato et al.	.....	D99/28
D430,379 S *	8/2000	Massey	.....	D99/28
D431,708 S *	10/2000	McCormack et al.	.....	D99/28
D449,420 S *	10/2001	Sommerville et al.	.....	D99/28
D461,907 S *	8/2002	Bain et al.	.....	D14/307
D470,543 S *	2/2003	Searls et al.	.....	D21/512

(Continued)

*Primary Examiner* — Elizabeth J Oswecki

(74) *Attorney, Agent, or Firm* — Fenwick & West LLP

(57) **CLAIM**

The ornamental design for an automated teller machine, as shown and described.

**DESCRIPTION**

FIG. 1 is a perspective view of the automated teller machine, showing our new design.

FIG. 2 is a front view of the automated teller machine of FIG. 1.

FIG. 3 is a rear view of the automated teller machine of FIG. 1.

FIG. 4 is a left side view of the automated teller machine of FIG. 1.

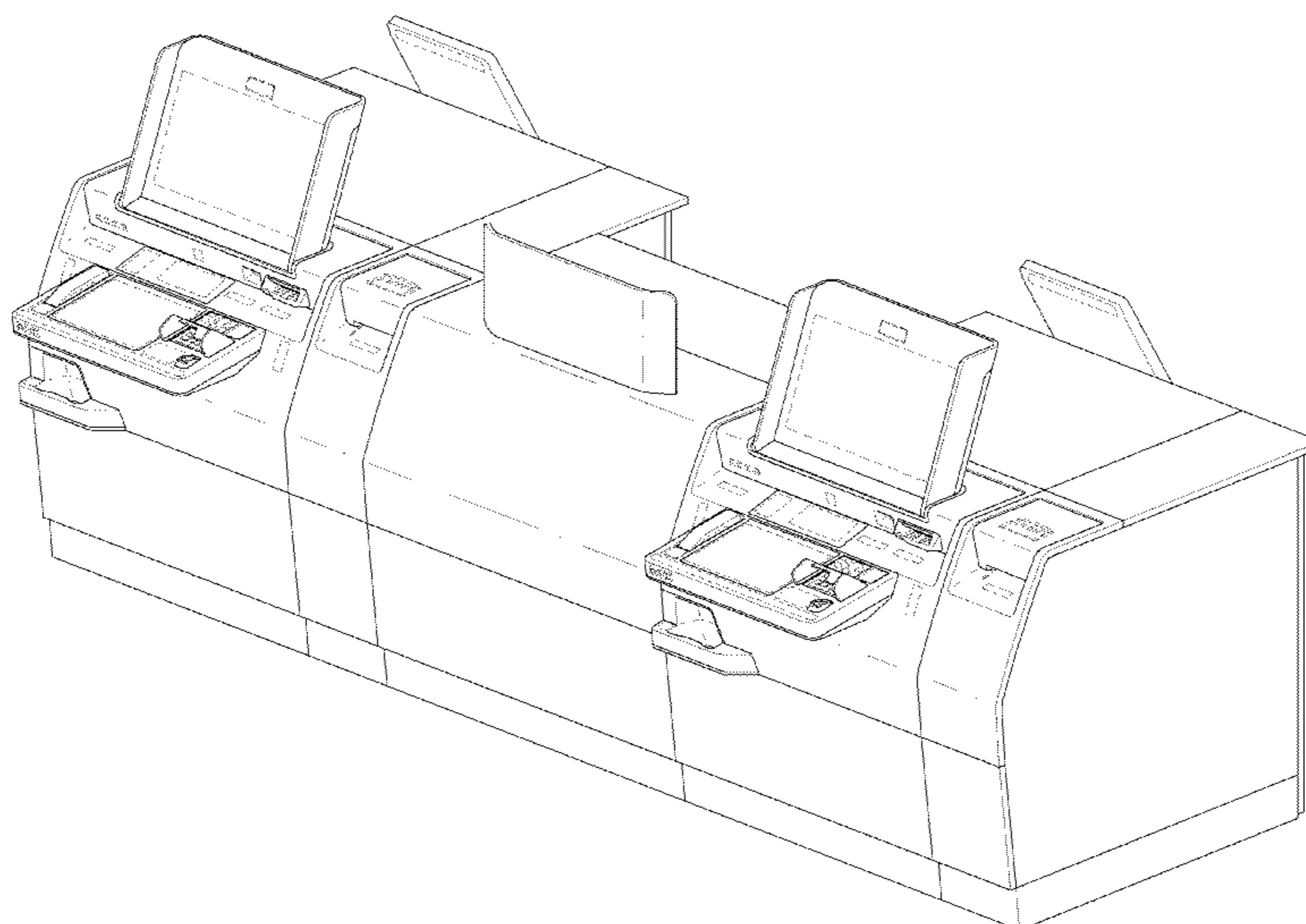
FIG. 5 is a right side view of the automated teller machine of FIG. 1.

FIG. 6 is a top view of the automated teller machine of FIG. 1; and,

FIG. 7 is a bottom view of the automated teller machine of FIG. 1.

The broken lines shown in the drawings represent portions of the automated teller machine that form no part of the claimed design.

**1 Claim, 6 Drawing Sheets**



(56)

References Cited

U.S. PATENT DOCUMENTS

D505,765 S *	5/2005	Swaine et al. ....	D99/28	8,365,868 B2 *	2/2013	Johnson et al. ....	186/52
D529,255 S *	9/2006	Sato .....	D99/28	D678,652 S *	3/2013	Budde et al. ....	D99/28
D532,579 S *	11/2006	Kang et al. ....	D99/28	D679,885 S *	4/2013	Pollmann et al. ....	D99/28
D603,125 S *	10/2009	Lara Bartolome .....	D99/28	8,479,978 B1 *	7/2013	Miller et al. ....	235/379
D626,544 S *	11/2010	Bleck et al. ....	D14/307	8,496,168 B1 *	7/2013	Miller et al. ....	235/379
D626,545 S *	11/2010	Bleck et al. ....	D14/307	8,505,814 B1 *	8/2013	Block et al. ....	235/379
8,052,051 B1 *	11/2011	Lute et al. ....	235/379	8,511,546 B2 *	8/2013	Meek et al. ....	235/379
D674,985 S *	1/2013	Lee .....	D99/28	D689,665 S *	9/2013	Pollmann et al. ....	D99/28
				8,573,484 B1 *	11/2013	Irudayam et al. ....	235/379
				8,579,192 B1 *	11/2013	Miller et al. ....	235/379

\* cited by examiner

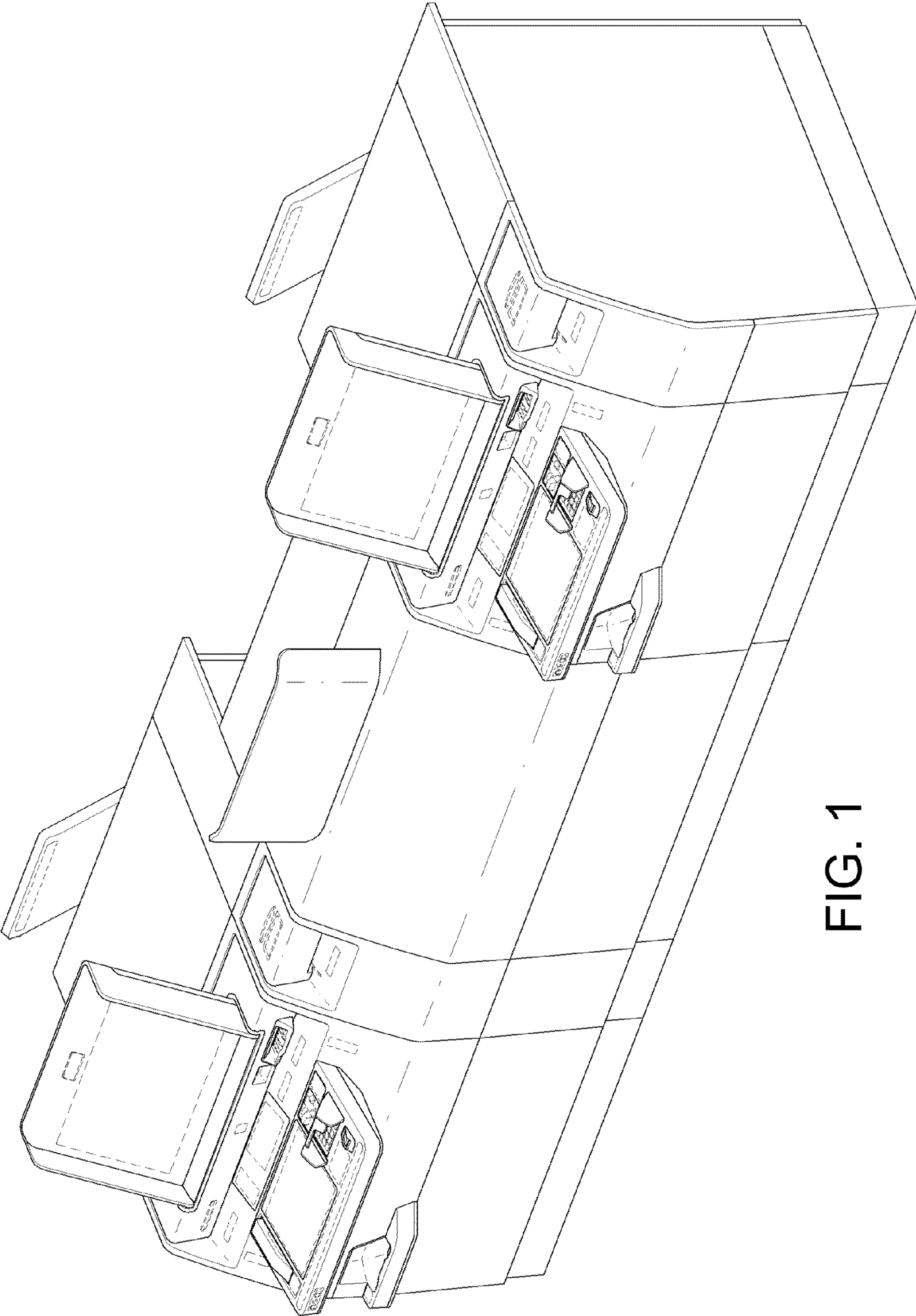


FIG. 1

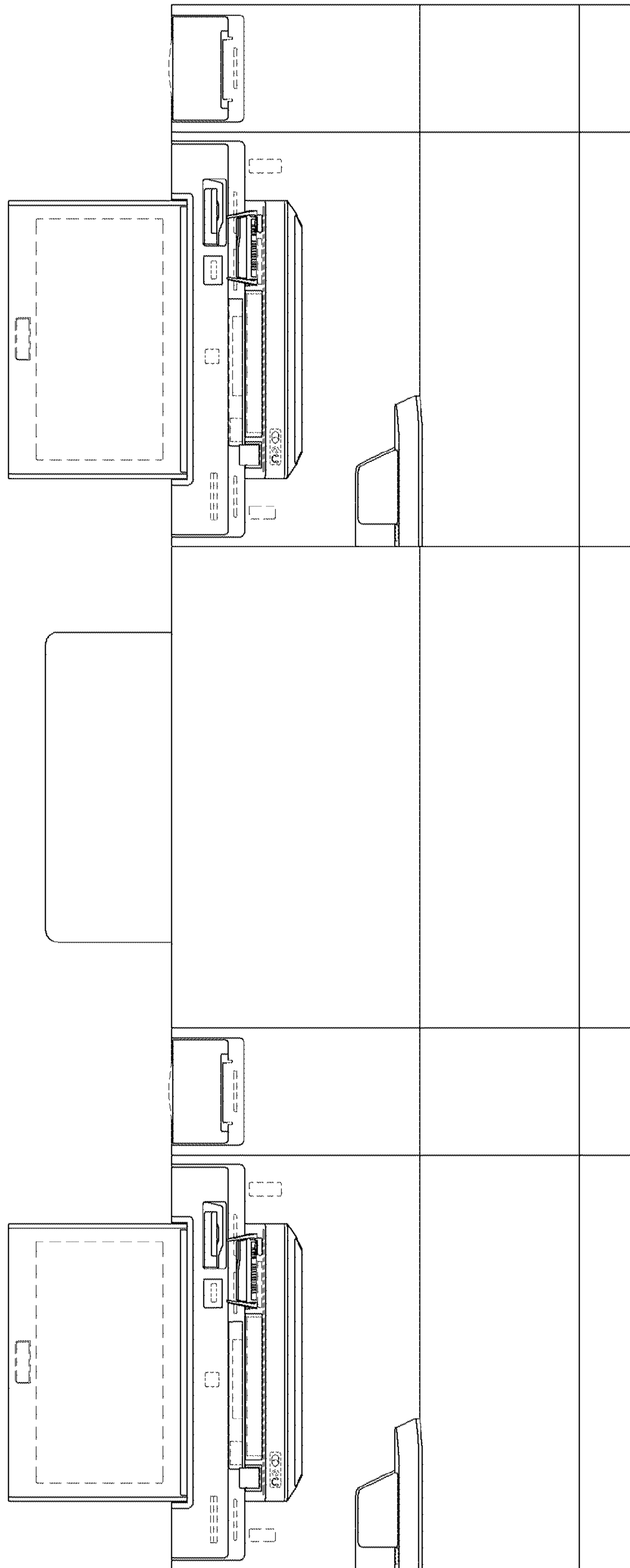


FIG. 2



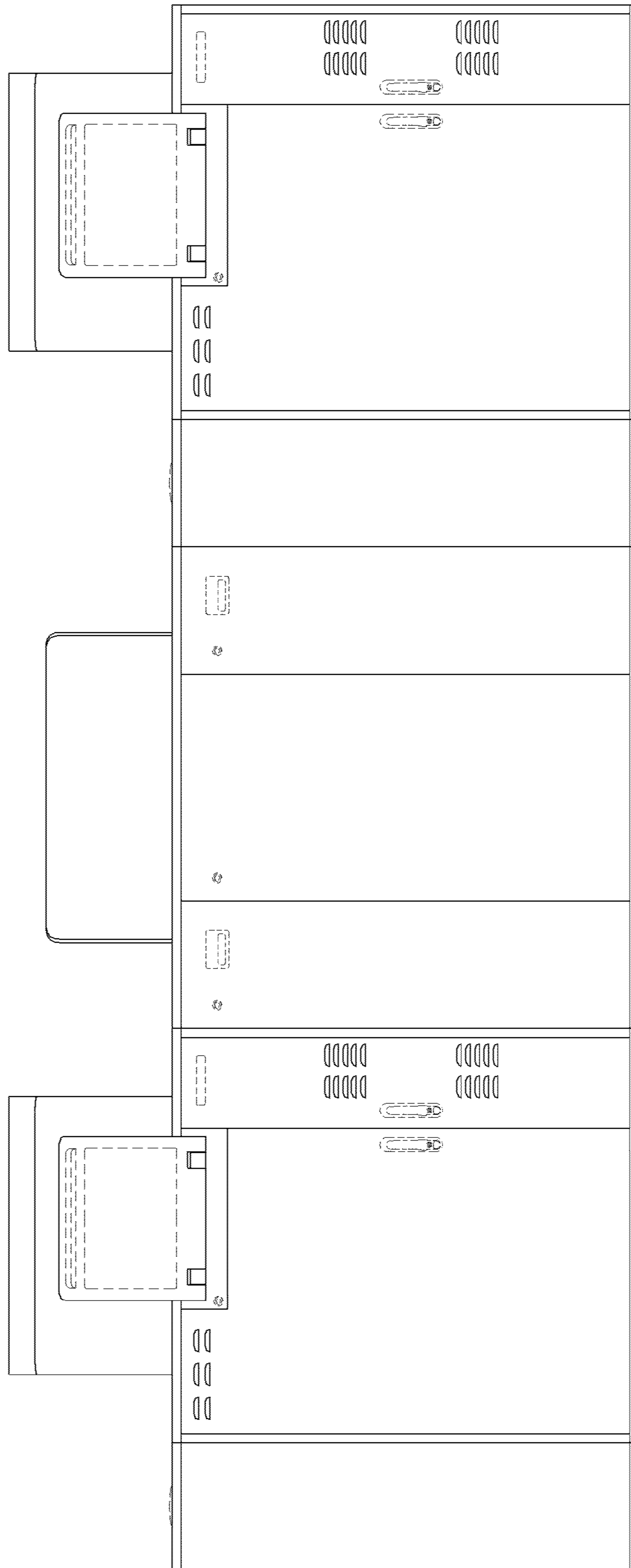


FIG. 3

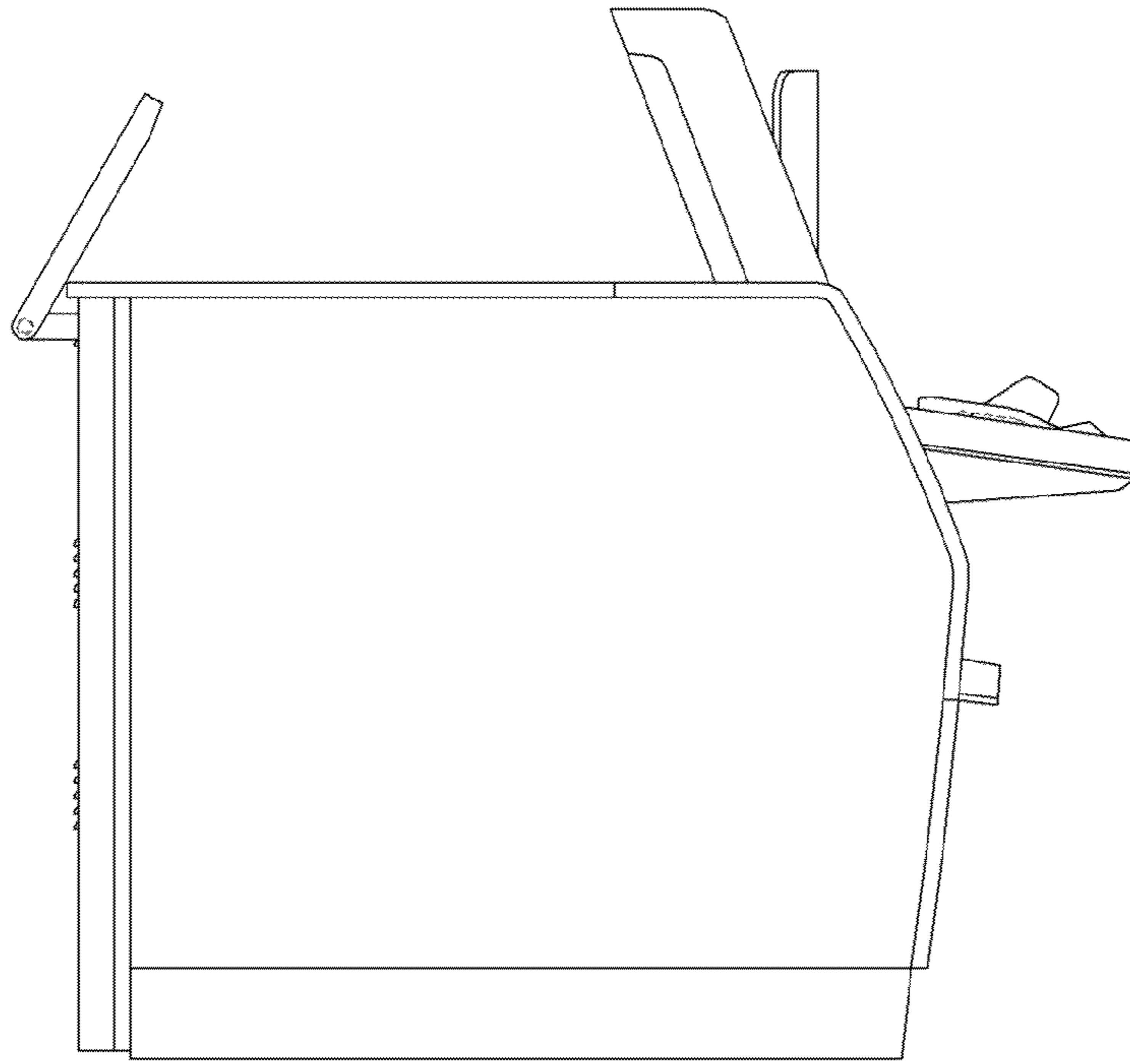


FIG. 4

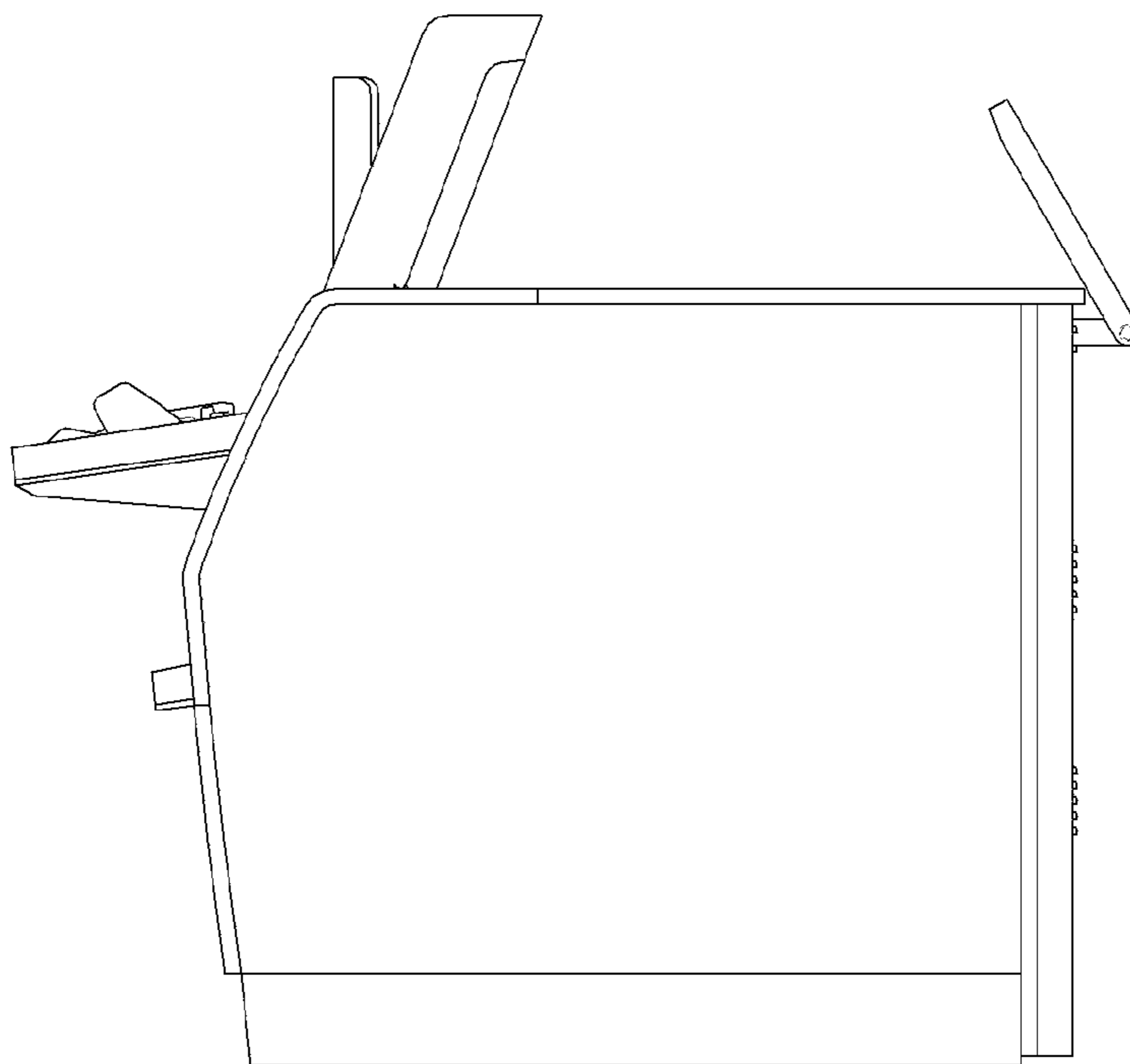


FIG. 5

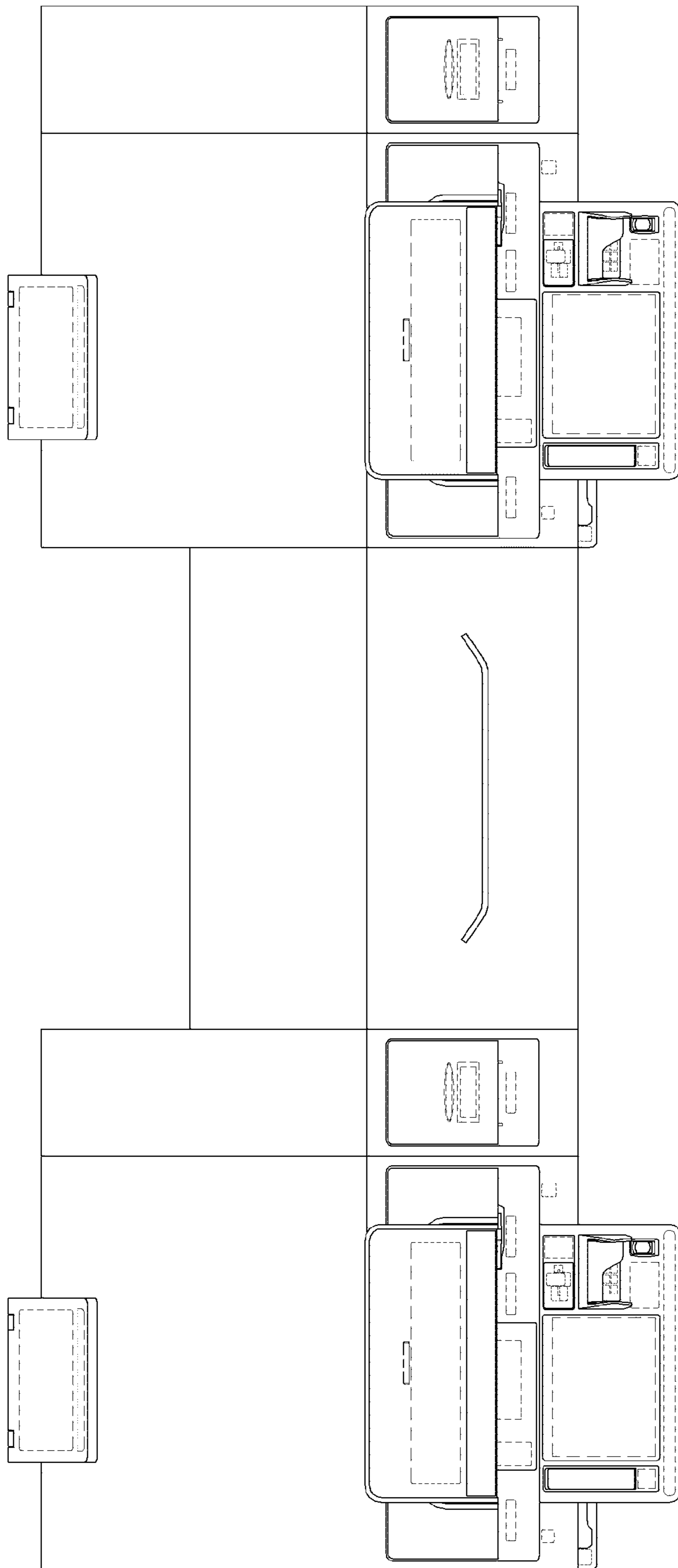


FIG. 6

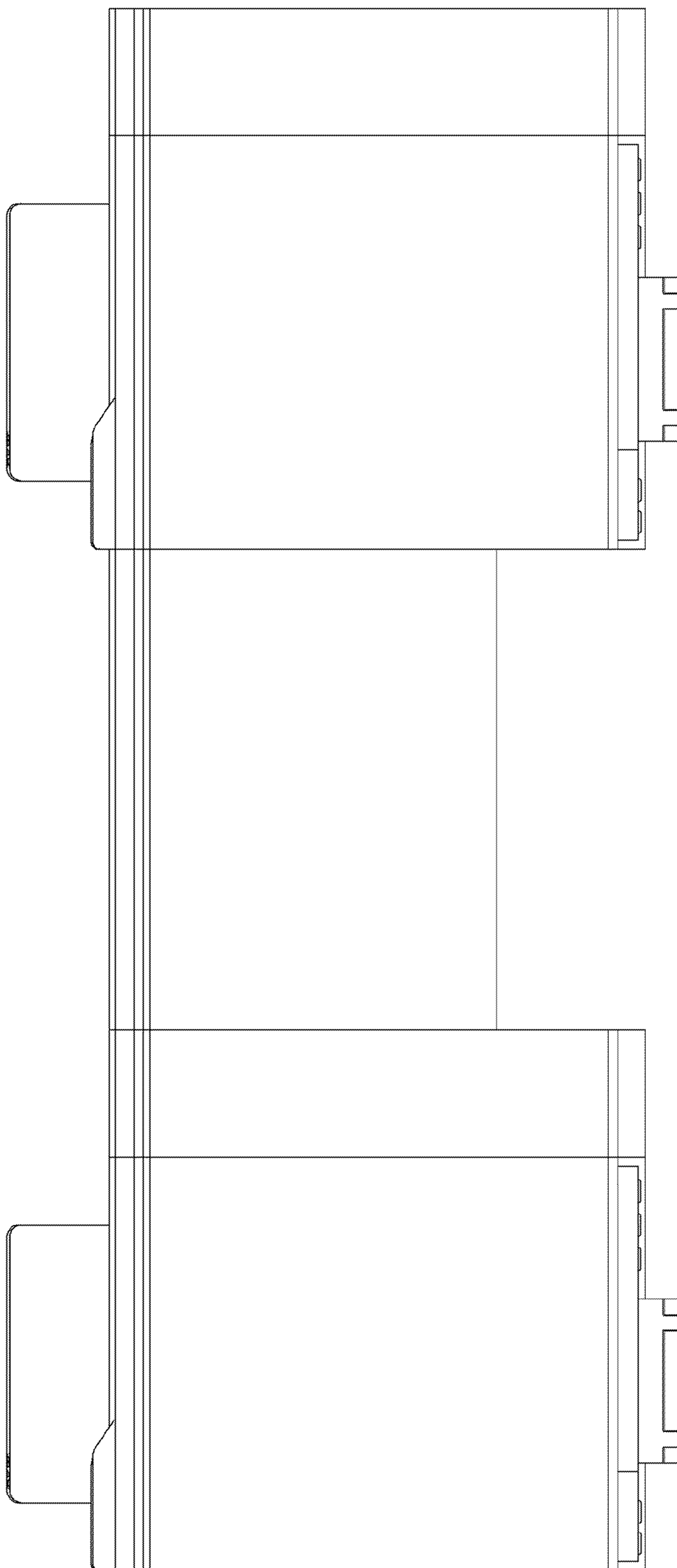


FIG. 7