



US00D709263S

(12) **United States Design Patent**
Carnesecca

(10) **Patent No.:** **US D709,263 S**

(45) **Date of Patent:** **** Jul. 15, 2014**

(54) **BUCKET**

(71) Applicant: **Zac Carnesecca**, South Jordan, UT (US)

(72) Inventor: **Zac Carnesecca**, South Jordan, UT (US)

(**) Term: **14 Years**

(21) Appl. No.: **29/456,601**

(22) Filed: **May 31, 2013**

(51) **LOC (10) Cl.** **07-07**

(52) **U.S. Cl.**
USPC **D32/53**

(58) **Field of Classification Search**
USPC D32/53, 53.1, 54; D34/23; 280/79.5;
15/260–264, 659; 220/904
See application file for complete search history.

(56) **References Cited**

U.S. PATENT DOCUMENTS

D683,920 S *	6/2013	Bonafide	D32/53
D683,921 S *	6/2013	Bonafide	D32/53
D684,327 S *	6/2013	Bonafide	D32/53
D684,328 S *	6/2013	Vasilakes et al.	D32/53

* cited by examiner

Primary Examiner — Robin V Webster

(74) *Attorney, Agent, or Firm* — Keller Jolley Preece

(57) **CLAIM**

The ornamental design for a bucket, as shown and described.

DESCRIPTION

FIG. 1 is a first perspective view of a bucket showing the new design;

FIG. 2 is a second perspective view showing a bottom surface thereof;

FIG. 3 is a front elevational view thereof, which is the same as a rear elevational view thereof;

FIG. 4 is a right side elevational view thereof, which is the same as a left side elevational view thereof;

FIG. 5 is a top plan view thereof;

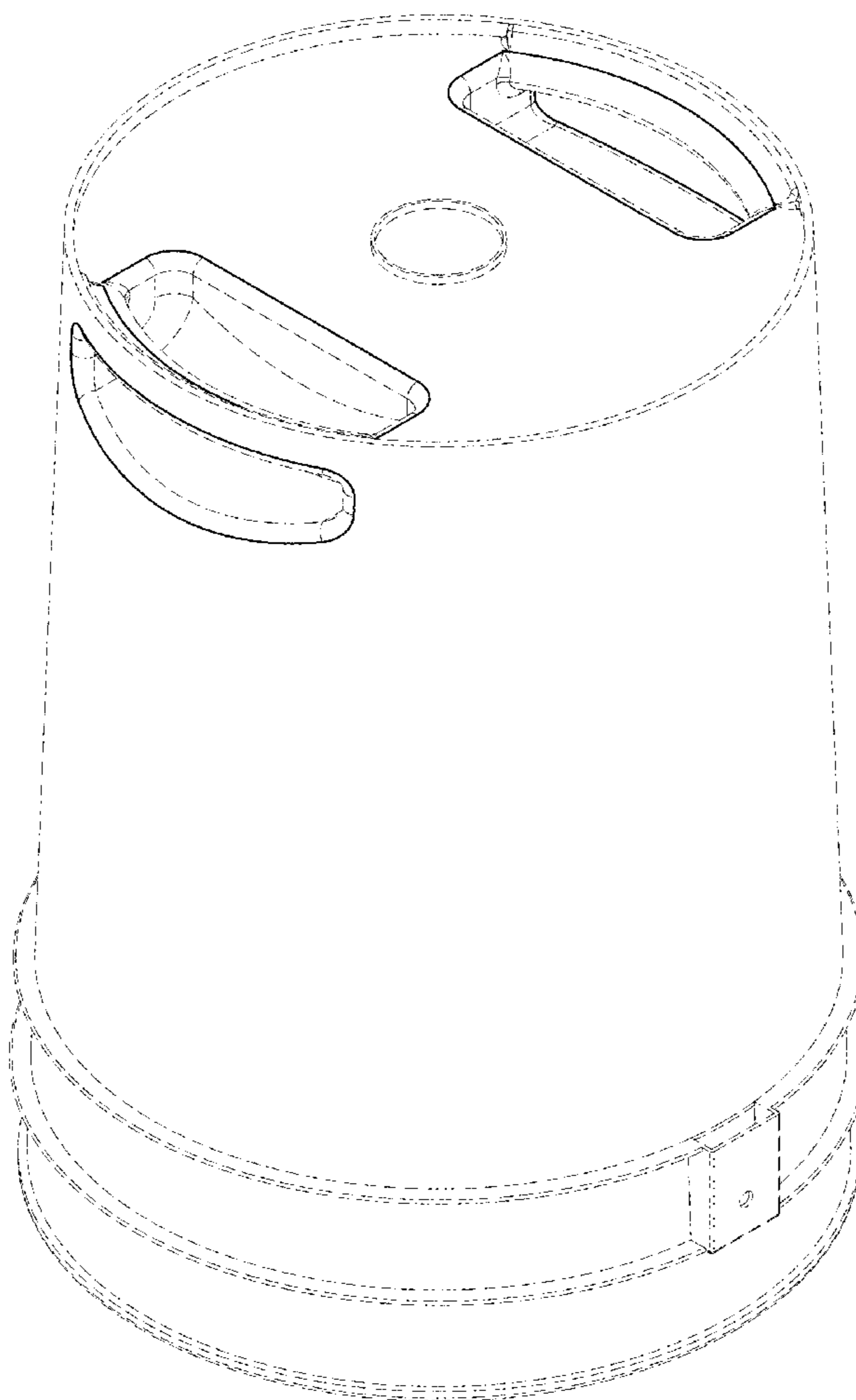
FIG. 6 is a bottom plan view thereof;

FIG. 7 is a cross-sectional view thereof; and,

FIG. 8 is an enlarged view of a portion of the cross-sectional view of FIG. 7.

The broken lines are for illustrative purposes only and form no part of the claimed design.

1 Claim, 8 Drawing Sheets



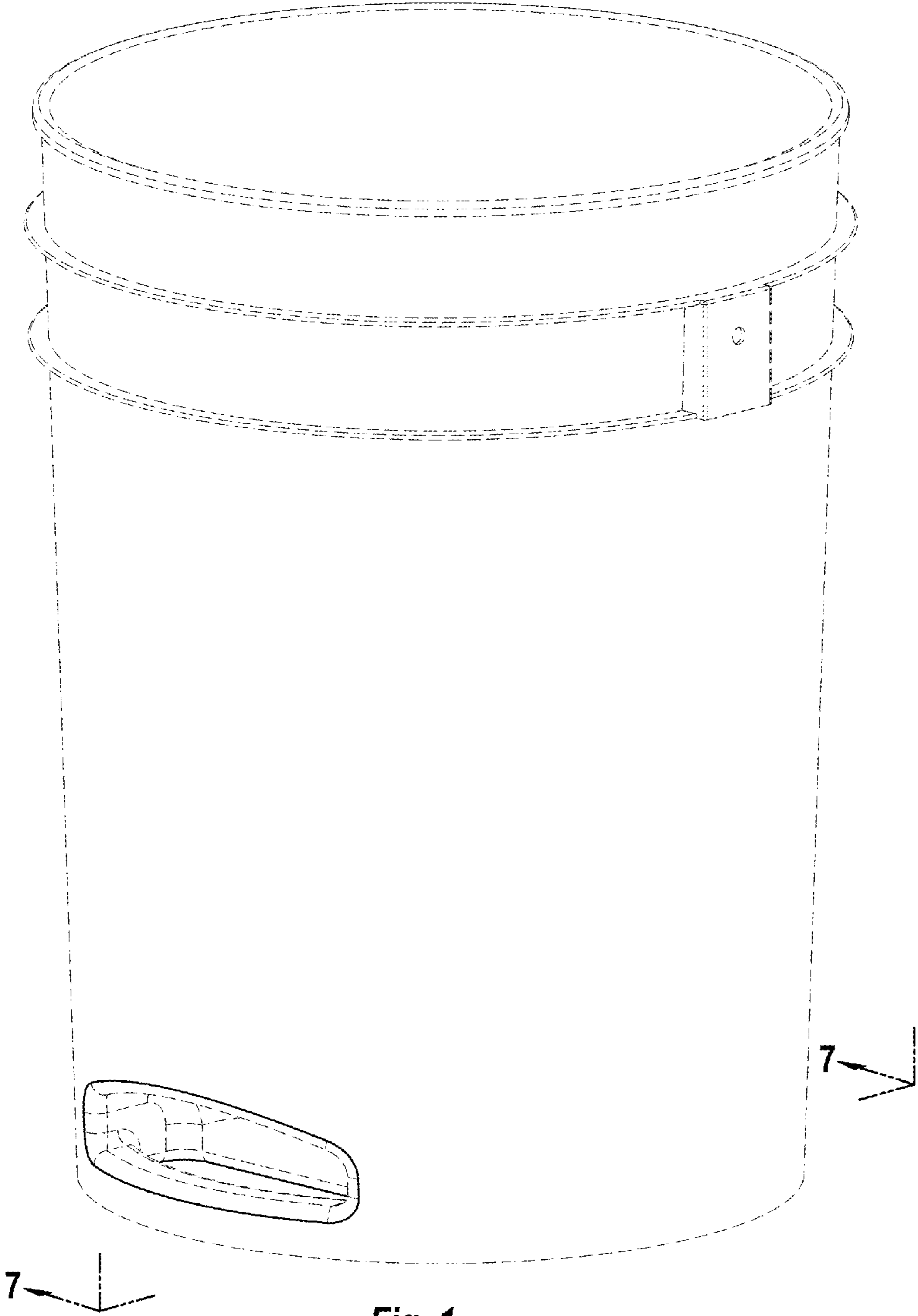


Fig. 1

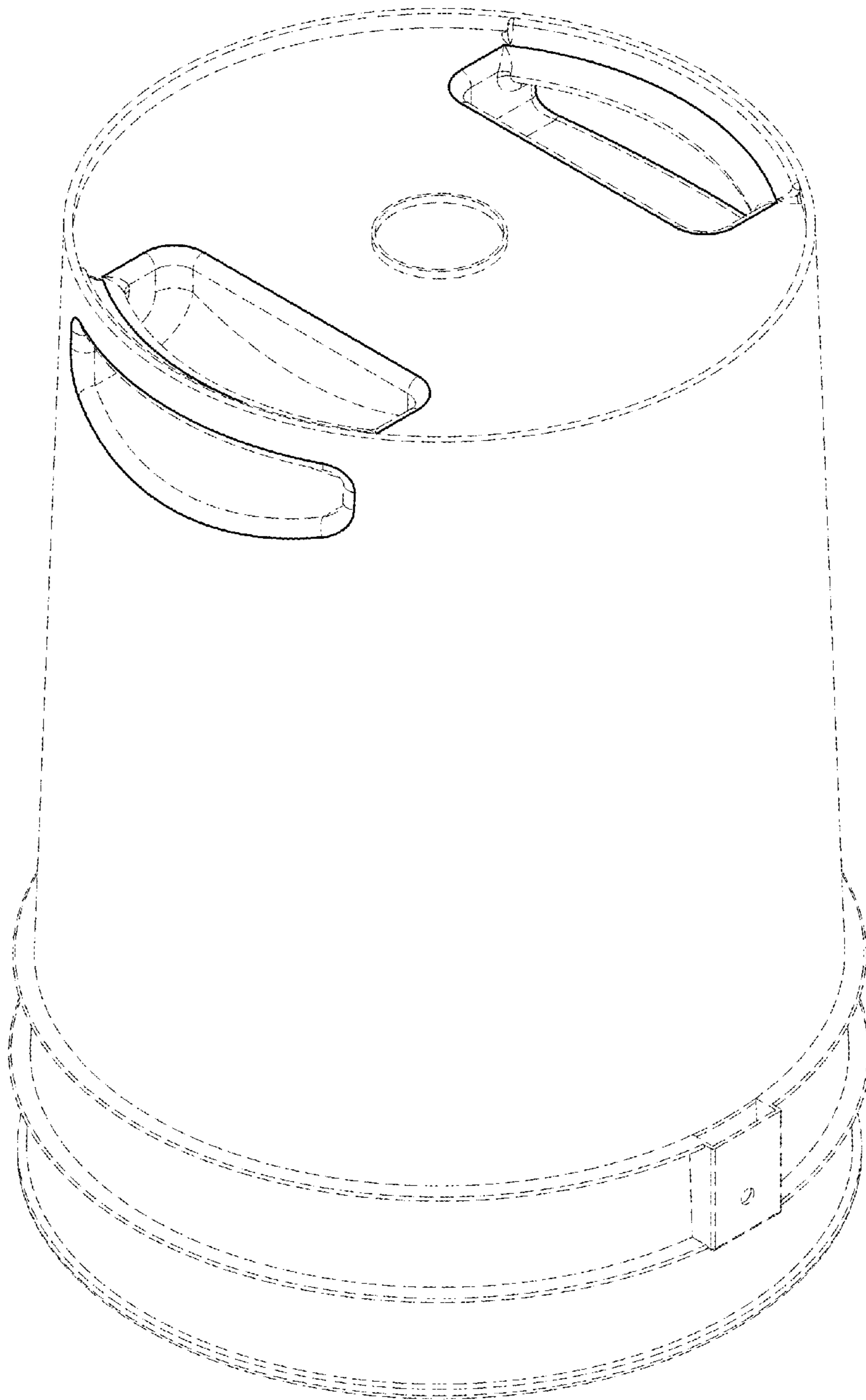


Fig. 2

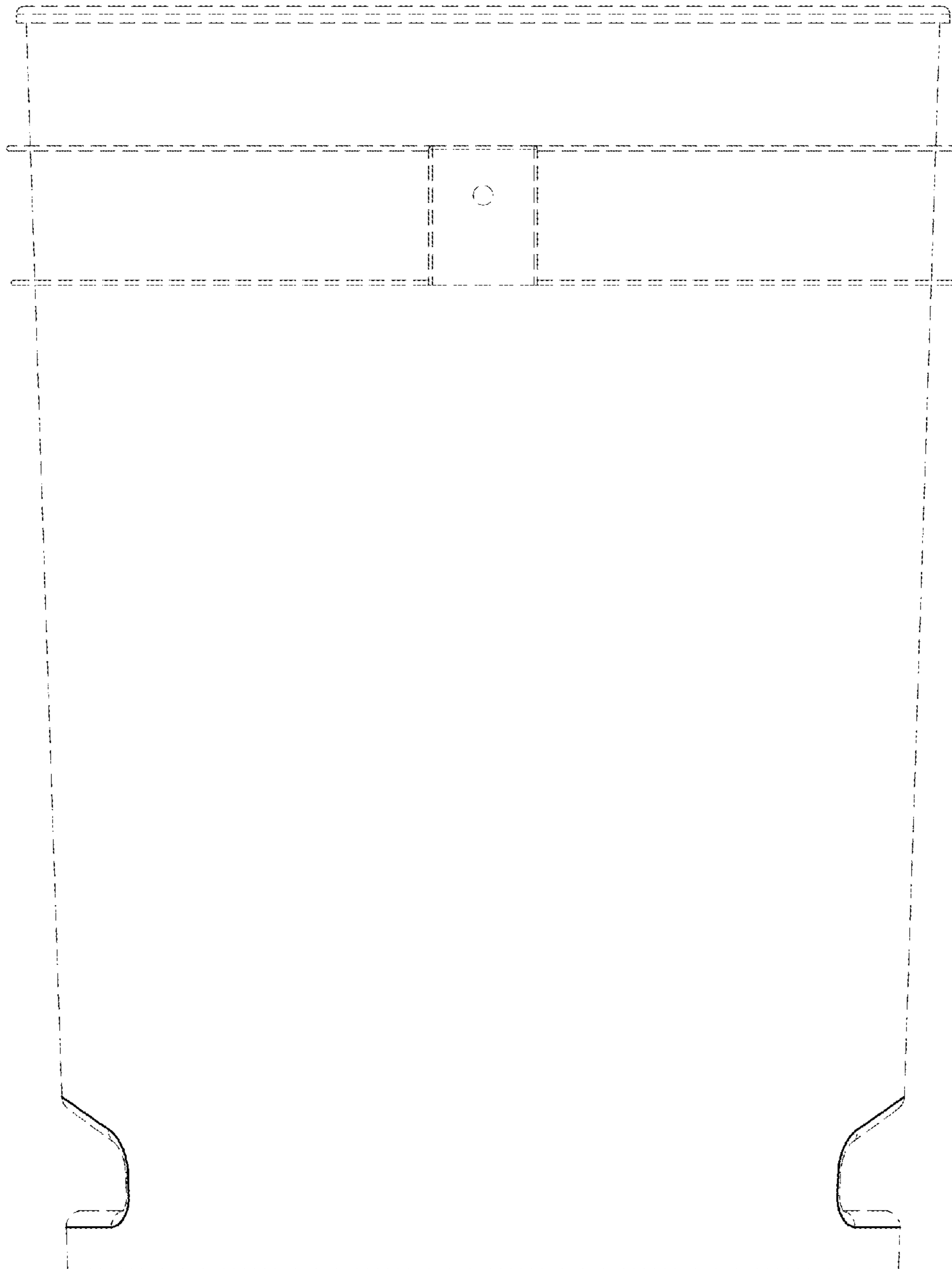


Fig. 3

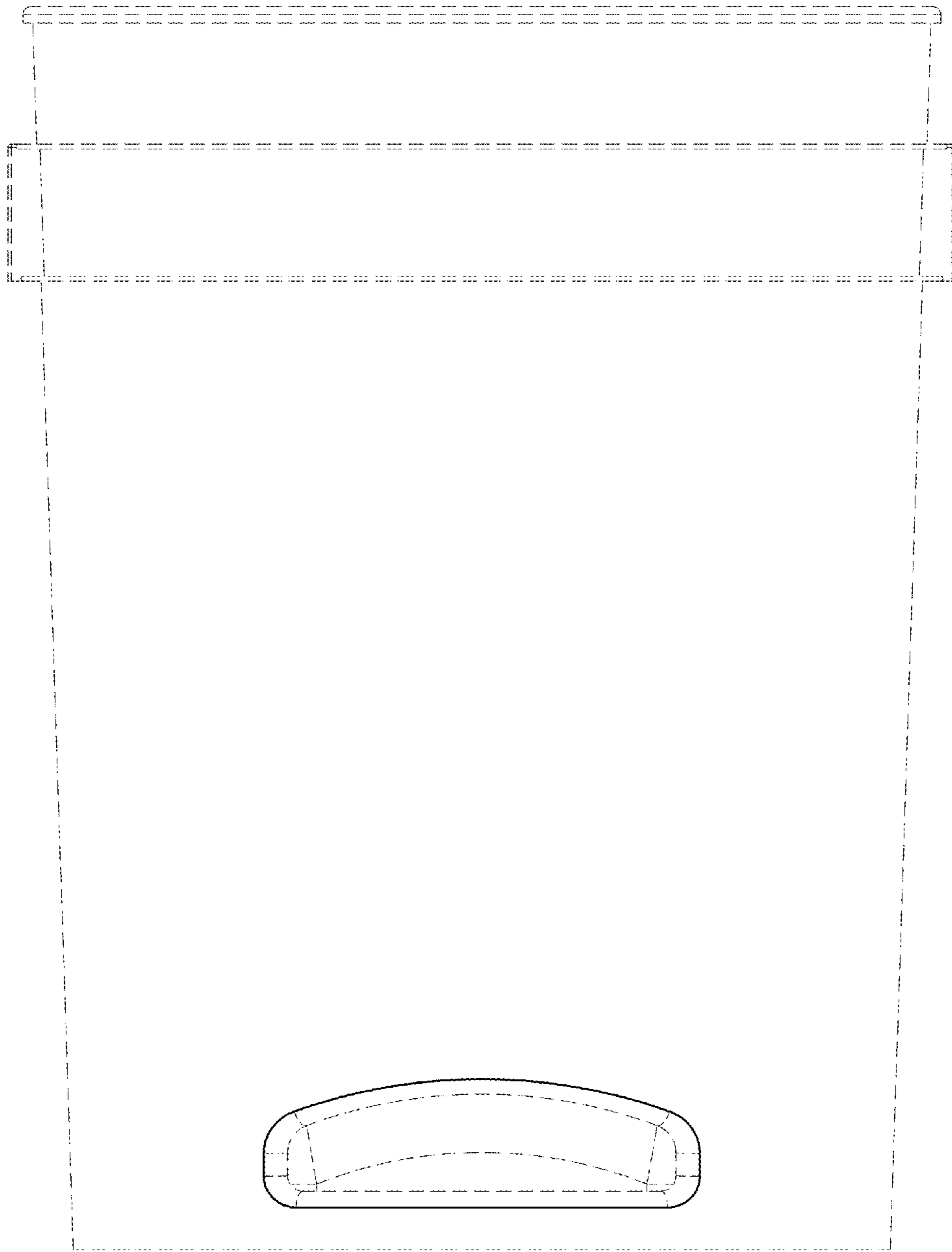


Fig. 4

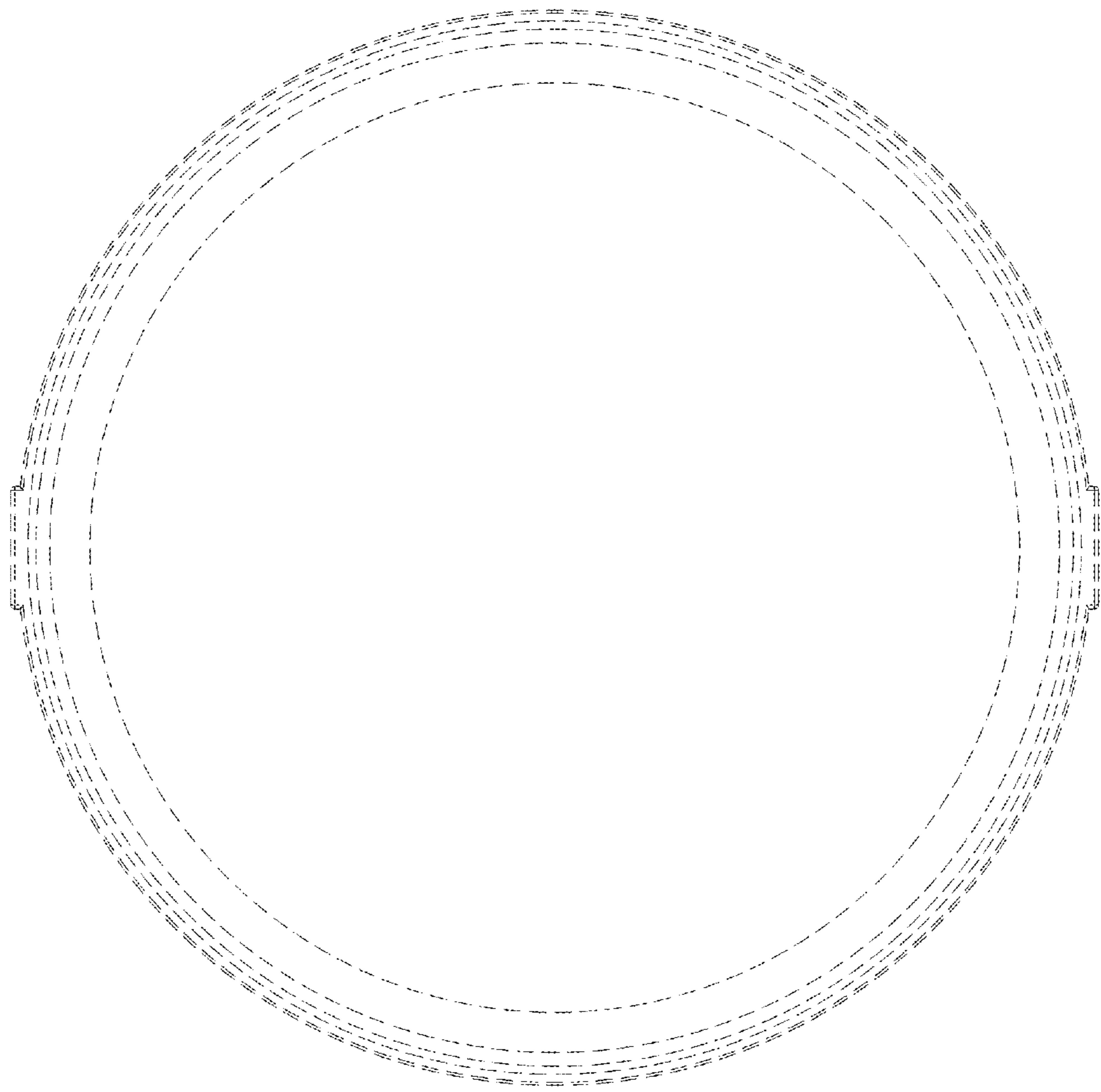


Fig. 5

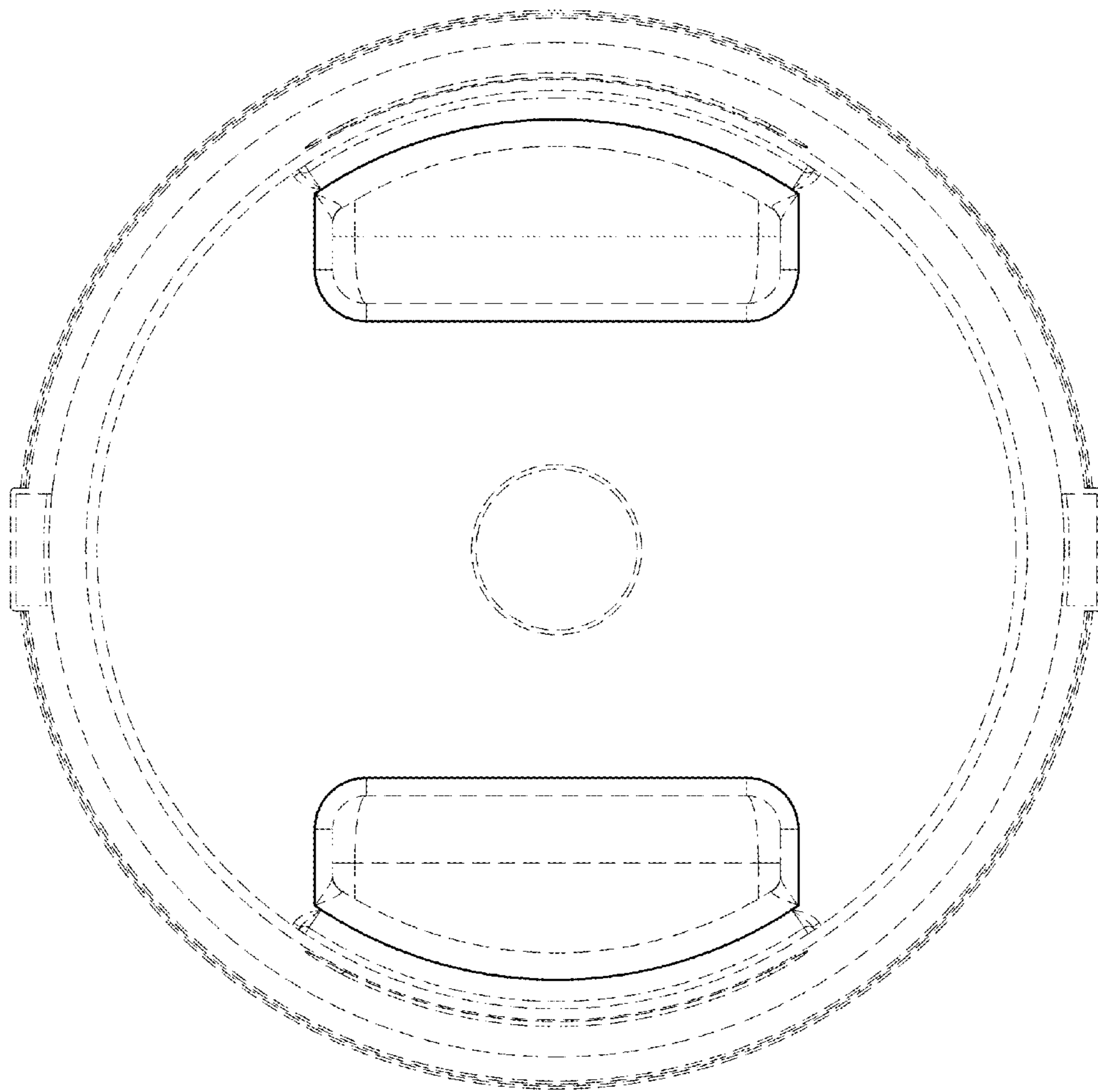


Fig. 6

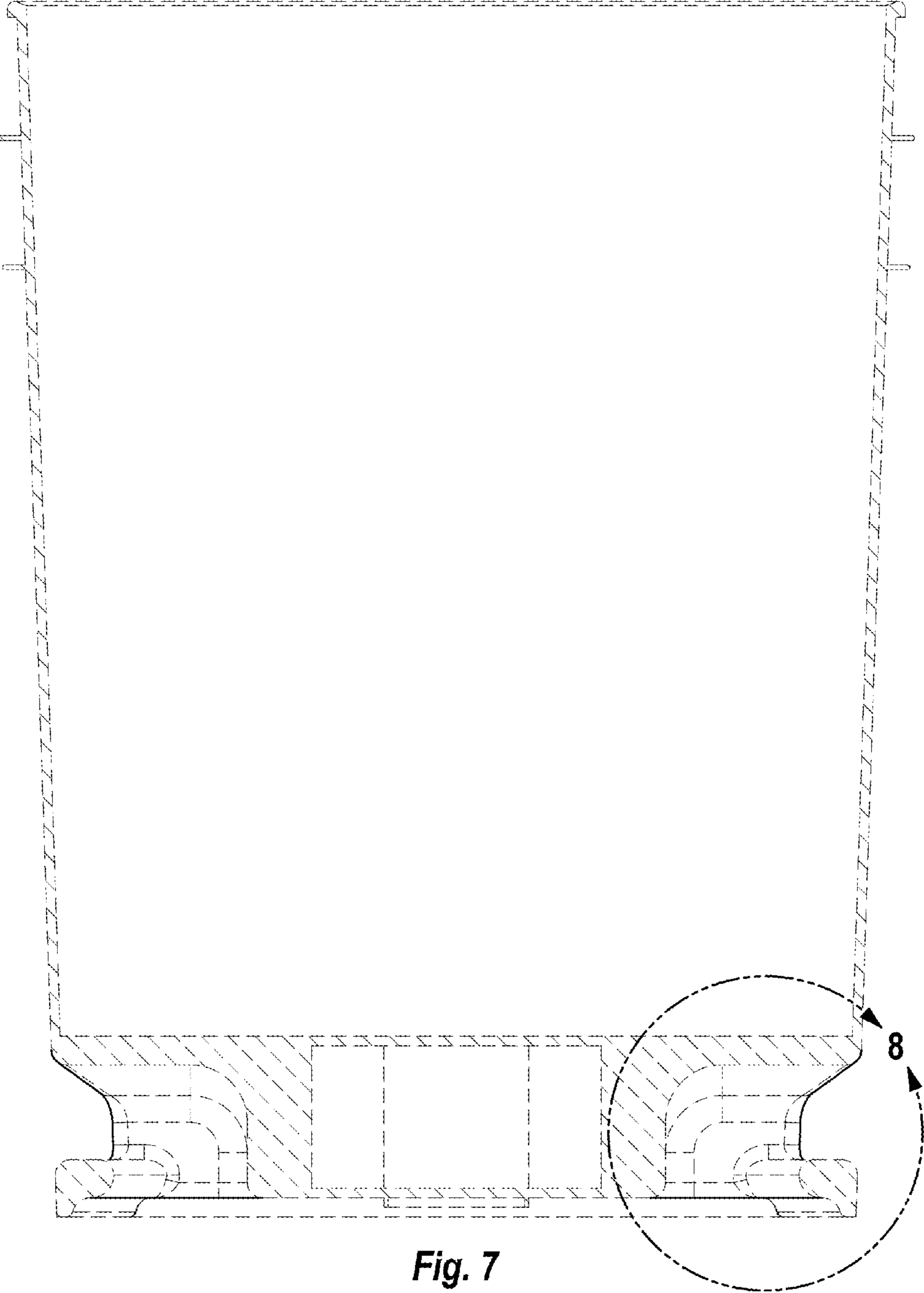


Fig. 7

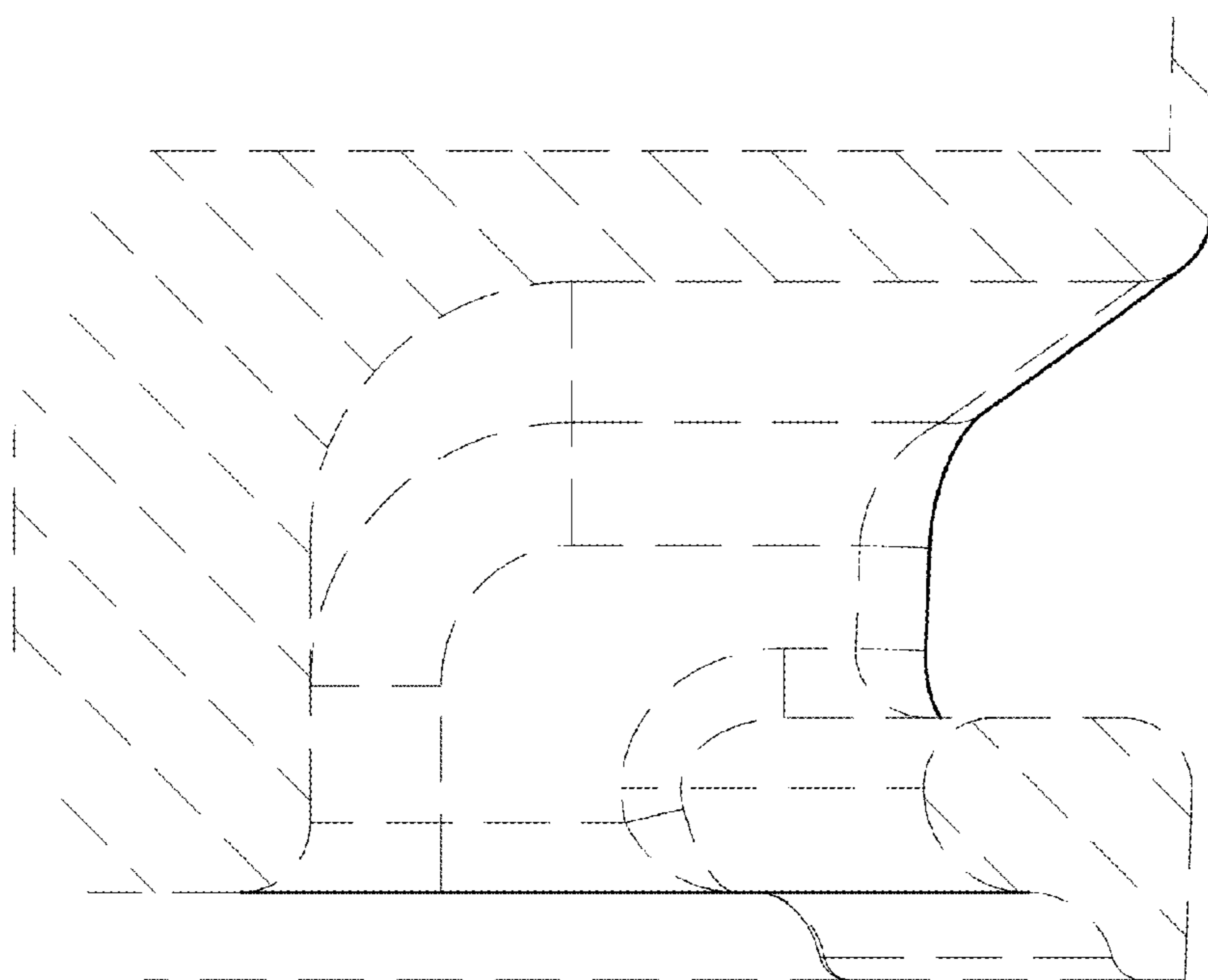


Fig. 8