



US00D709260S

(12) **United States Design Patent**
Molinet et al.

(10) **Patent No.:** **US D709,260 S**

(45) **Date of Patent:** **** Jul. 15, 2014**

(54) **CLEANING TOOL**

- (71) Applicant: **3M Innovative Properties Company**, St. Paul, MN (US)
- (72) Inventors: **Michael C. Molinet**, Stanford, CA (US); **Matthew D. Chaffee**, White Bear Lake, MN (US); **Paul N. Daveloose**, St. Paul, MN (US); **Jeffrey S. Fox**, White Bear Township, MN (US); **Kayo M. Roehm**, Shoreview, MN (US); **Cynthia A. Timmerman**, Hudson, WI (US); **Martin E. Broen**, New York, NY (US)

(73) Assignee: **3M Innovative Properties Company**, St. Paul, MN (US)

(**) Term: **14 Years**

(21) Appl. No.: **29/452,649**

(22) Filed: **Apr. 19, 2013**

(51) **LOC (10) Cl.** **04-01**

(52) **U.S. Cl.**
USPC **D32/40**

(58) **Field of Classification Search**
USPC D32/40-43; 15/208, 244.1-244.4,
15/209.1, 236.01

See application file for complete search history.

(56) **References Cited**

U.S. PATENT DOCUMENTS

D562,514 S	*	2/2008	Miyanaga	D32/40
D606,269 S	*	12/2009	Treeby et al.	D32/40
D685,548 S	*	7/2013	Wong	D32/40
D685,549 S	*	7/2013	Wong	D32/40

OTHER PUBLICATIONS

“Quickie HomePro Reach N Scrub Dish Wand”, HomePro, [retrieved from the internet on Apr. 18,2013], <http://www.homedepot.com/p/t/204170489?productId=204170489&storeId=10051&langId=-1&catalogId=10053&ci_sku=204170489&cm_mmc=shopping%2d%5f%2dgoogleads%2d%5f%2dpla%2d%5f%2d204170489&ci_gpa=pla>, 2 pages.

“Quickie HomePro Reach N Scrub Dish Wand Refills”, HomePro, [retrieved from the internet on Apr. 18, 2013], <http://www.homedepot.com/p/t/204170573?productId=204170573&storeId=10051&langId=-1&catalogId=10053&ci_sku=204170573&cm_mmc=shopping%2d%5f%2dgoogleads%2d%5f%2dpla%2d%5f%2d204170573&ci_gpa=pla>, 2 pages.

* cited by examiner

Primary Examiner — Robin V Webster

(74) *Attorney, Agent, or Firm* — Irina Hass

(57) **CLAIM**

The ornamental design for a cleaning tool, as shown and described.

DESCRIPTION

FIG. 1 is a perspective view showing the new design for a cleaning tool;

FIG. 2 is a front view thereof, a rear view being a mirror image thereof;

FIG. 3 is a left side view thereof;

FIG. 4 is a right side view thereof;

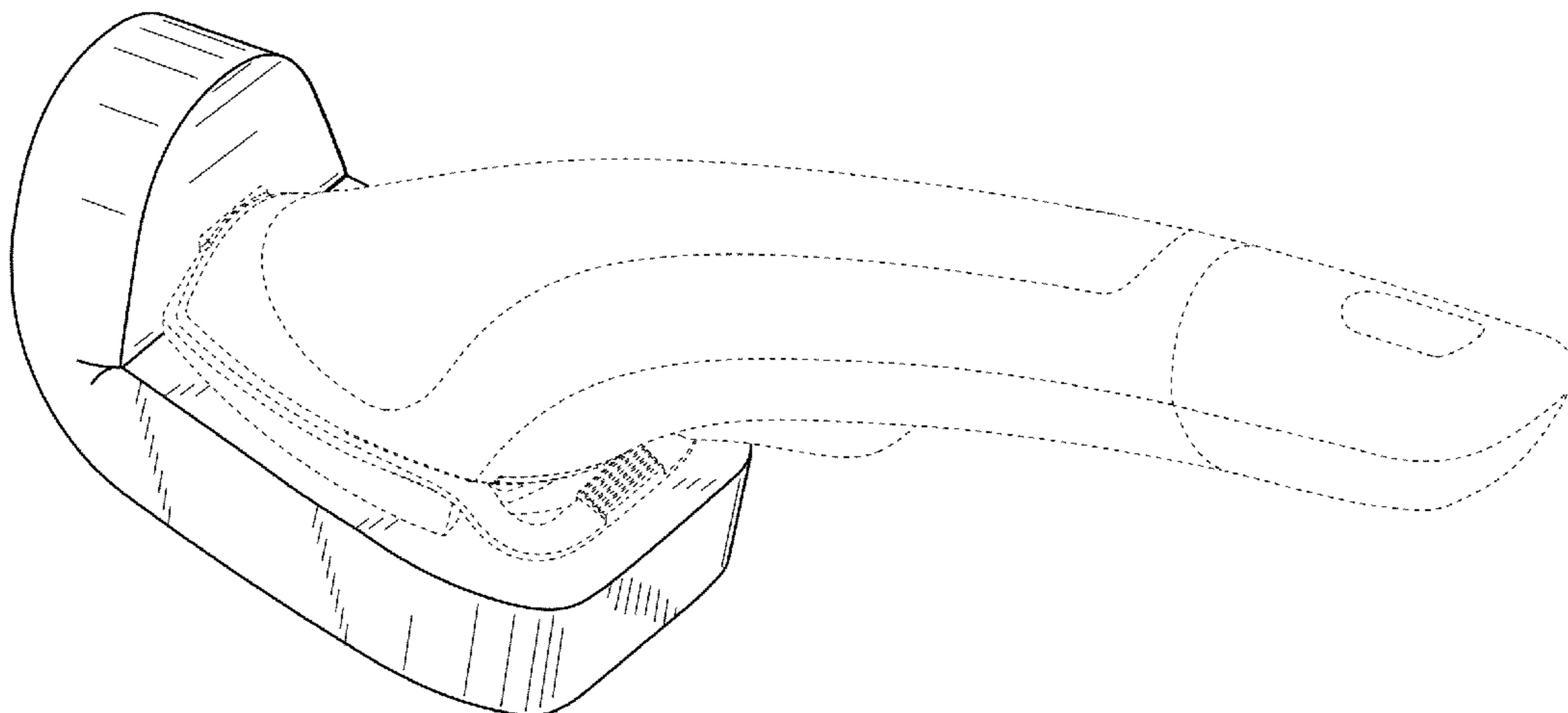
FIG. 5 is a bottom view thereof;

FIG. 6 is a top view thereof; and,

FIG. 7 is a perspective view thereof showing the cleaning tool with a handle.

The broken lines in the drawings are shown for illustrative purposes only and form no part of the claimed design.

1 Claim, 4 Drawing Sheets



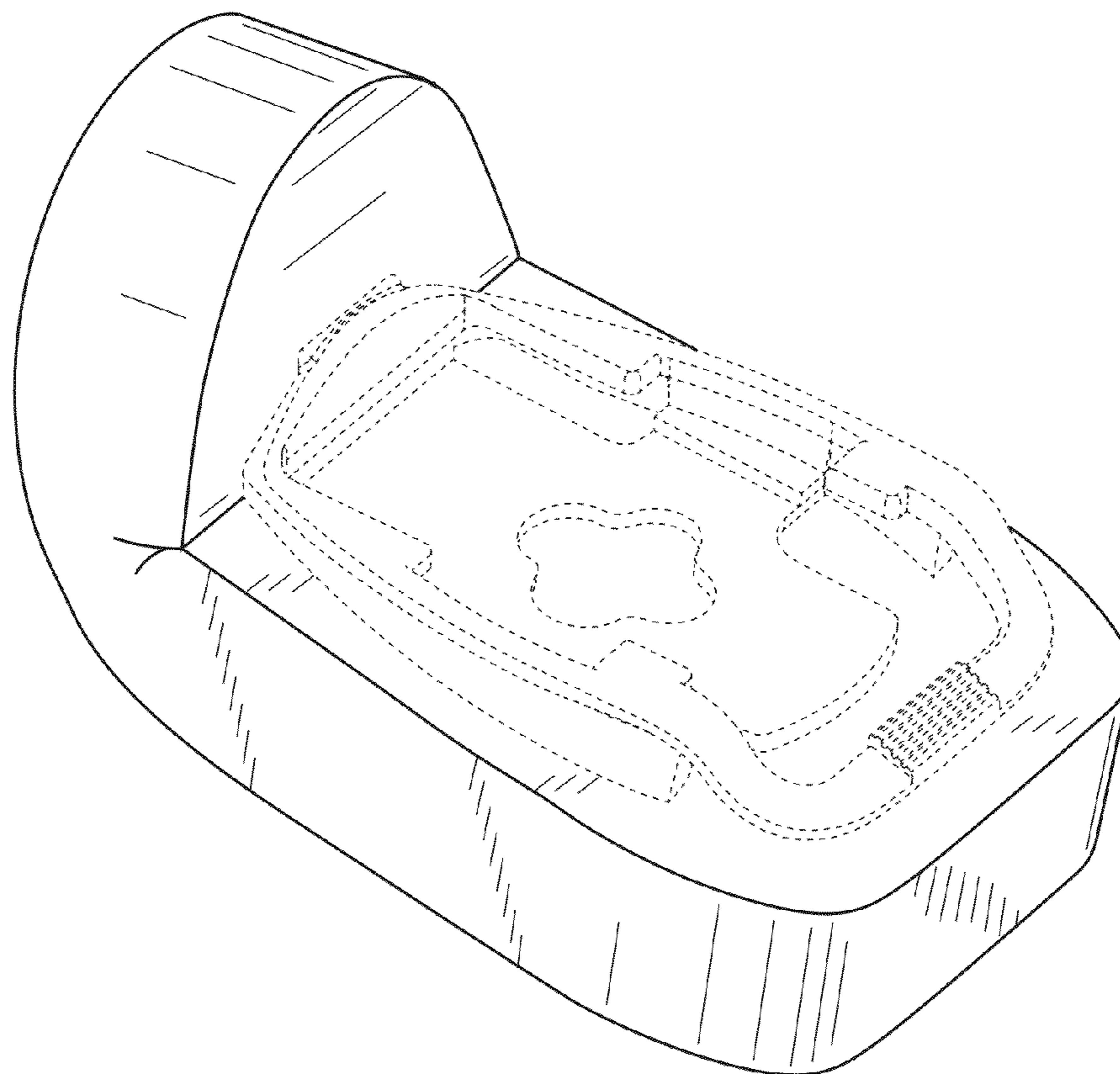


FIG. 1

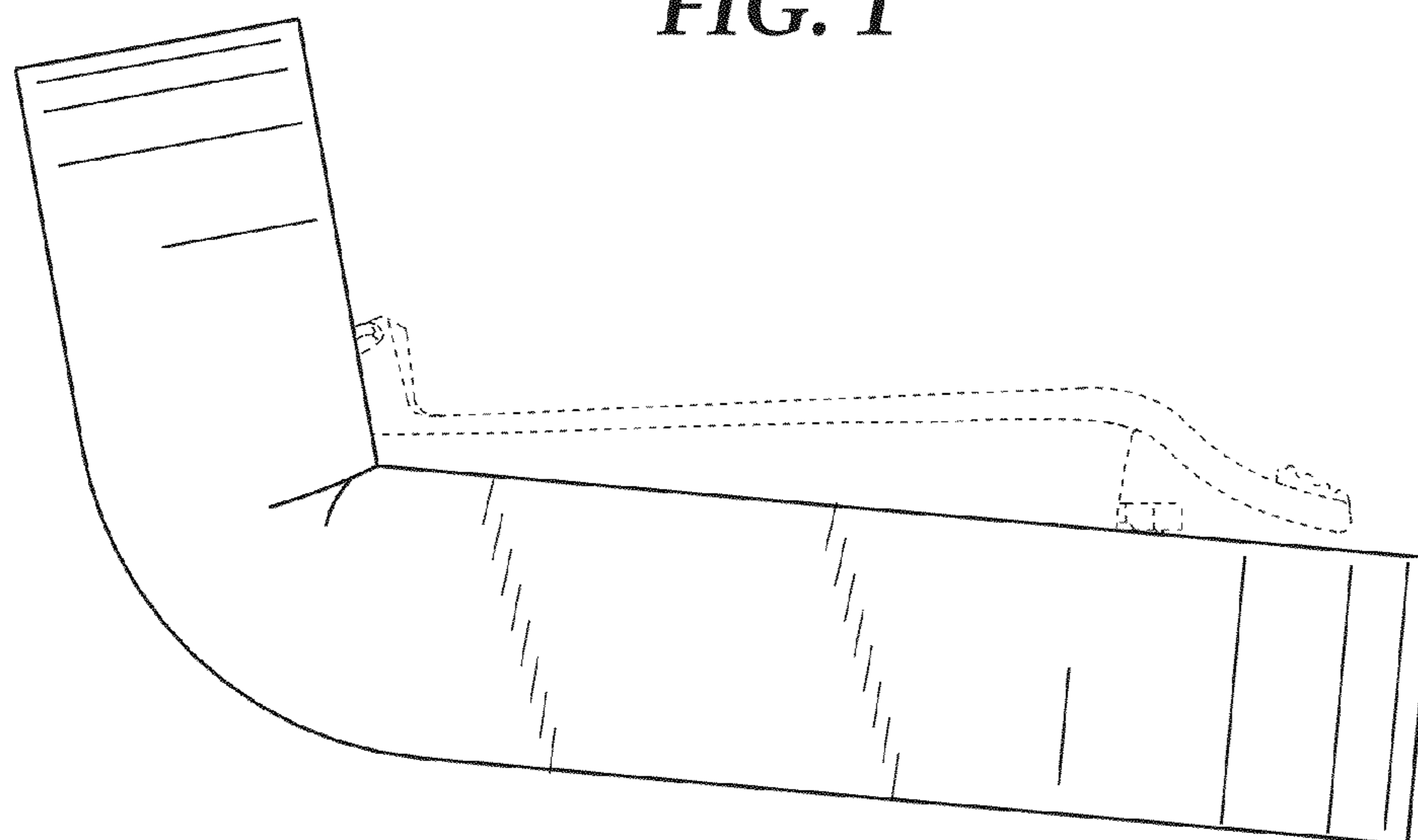


FIG. 2

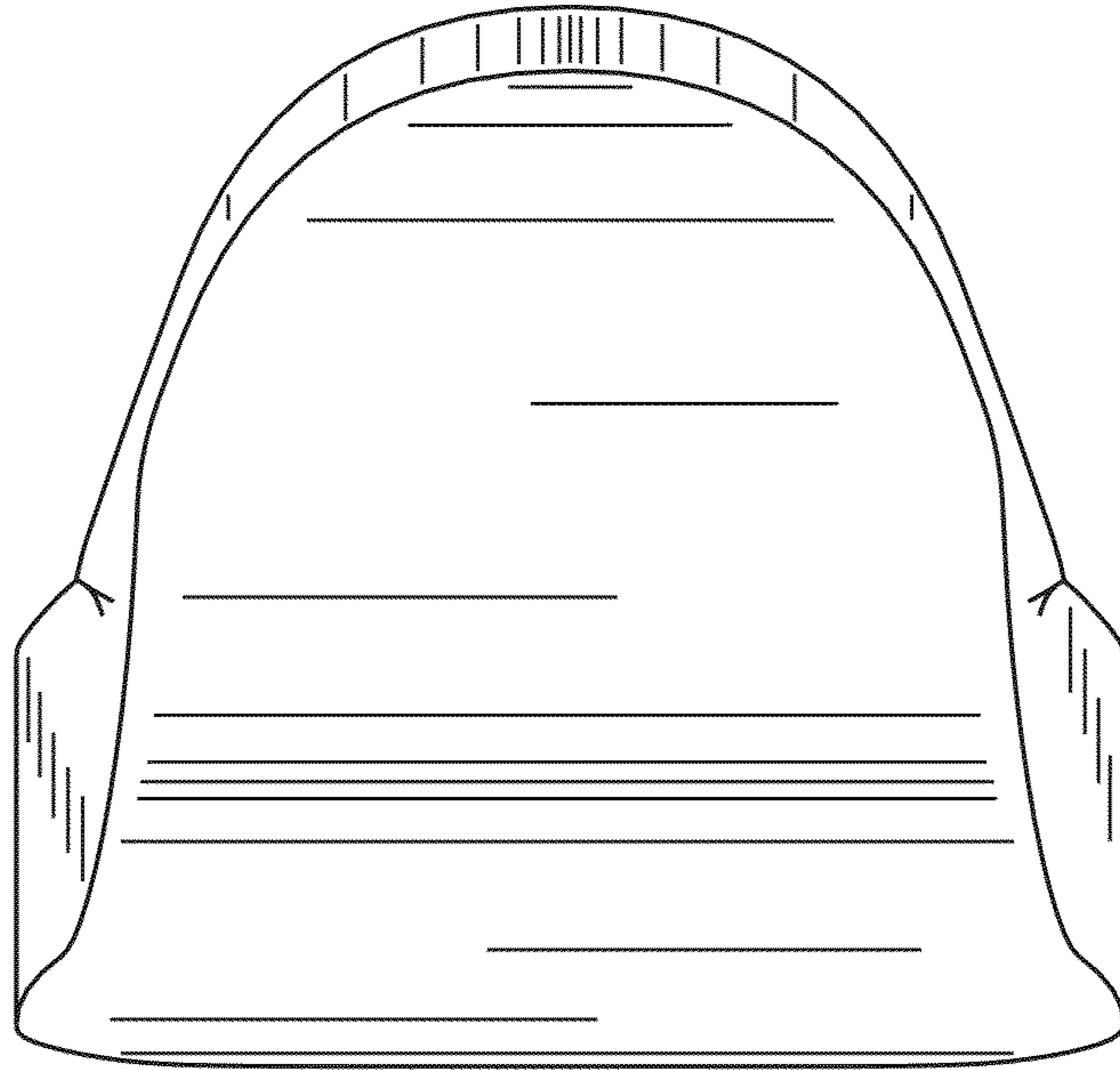


FIG. 3

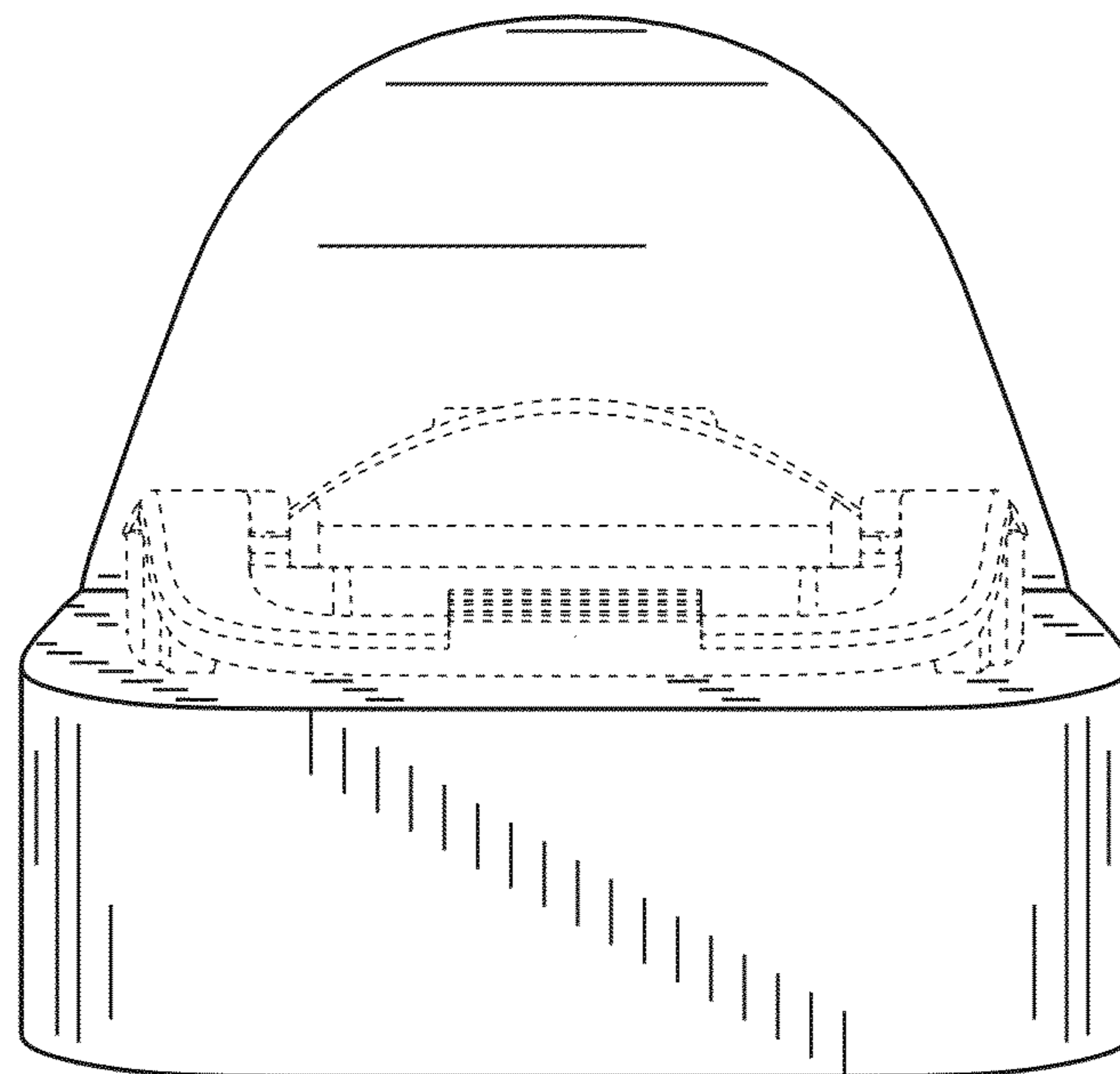


FIG. 4

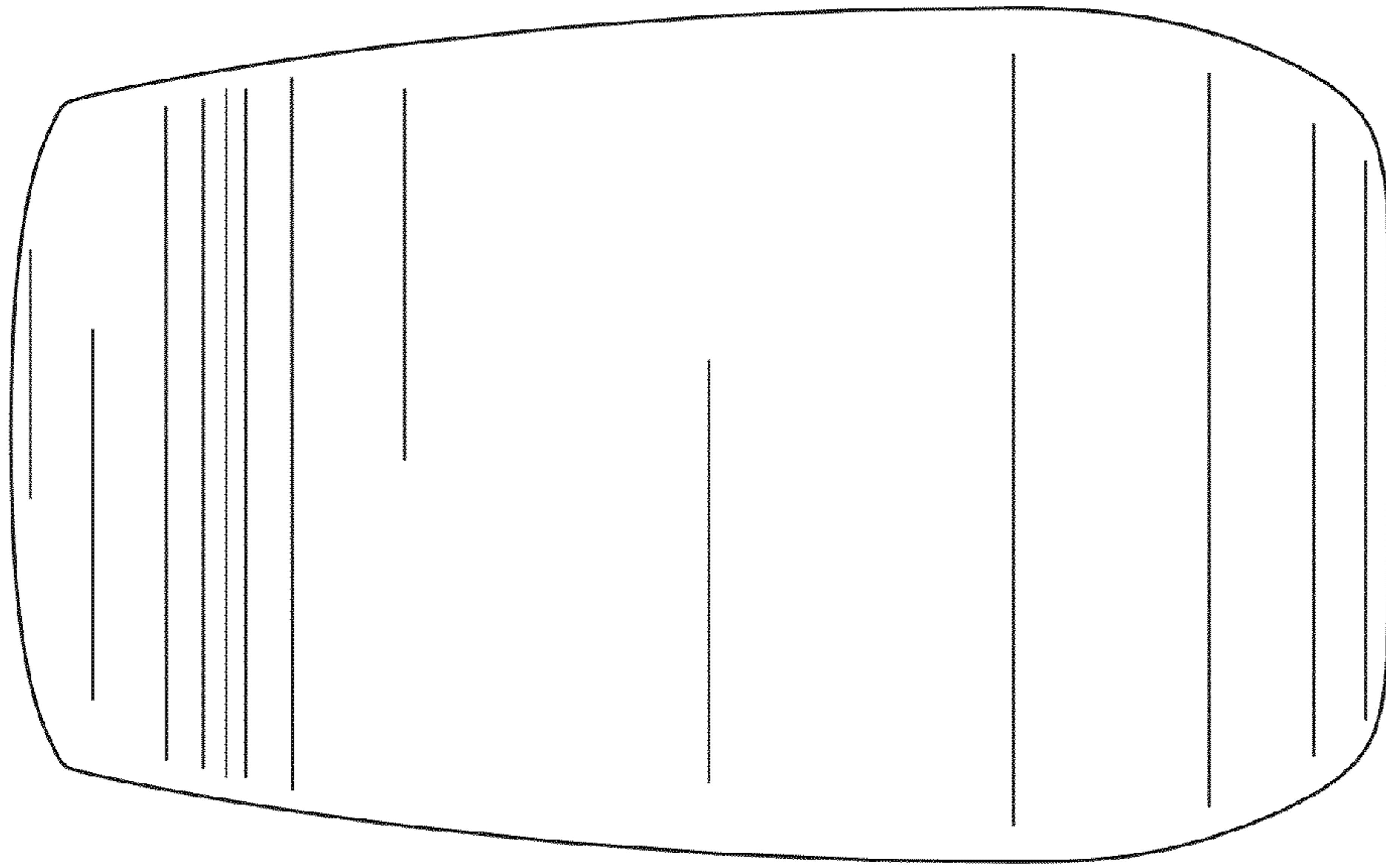


FIG. 5

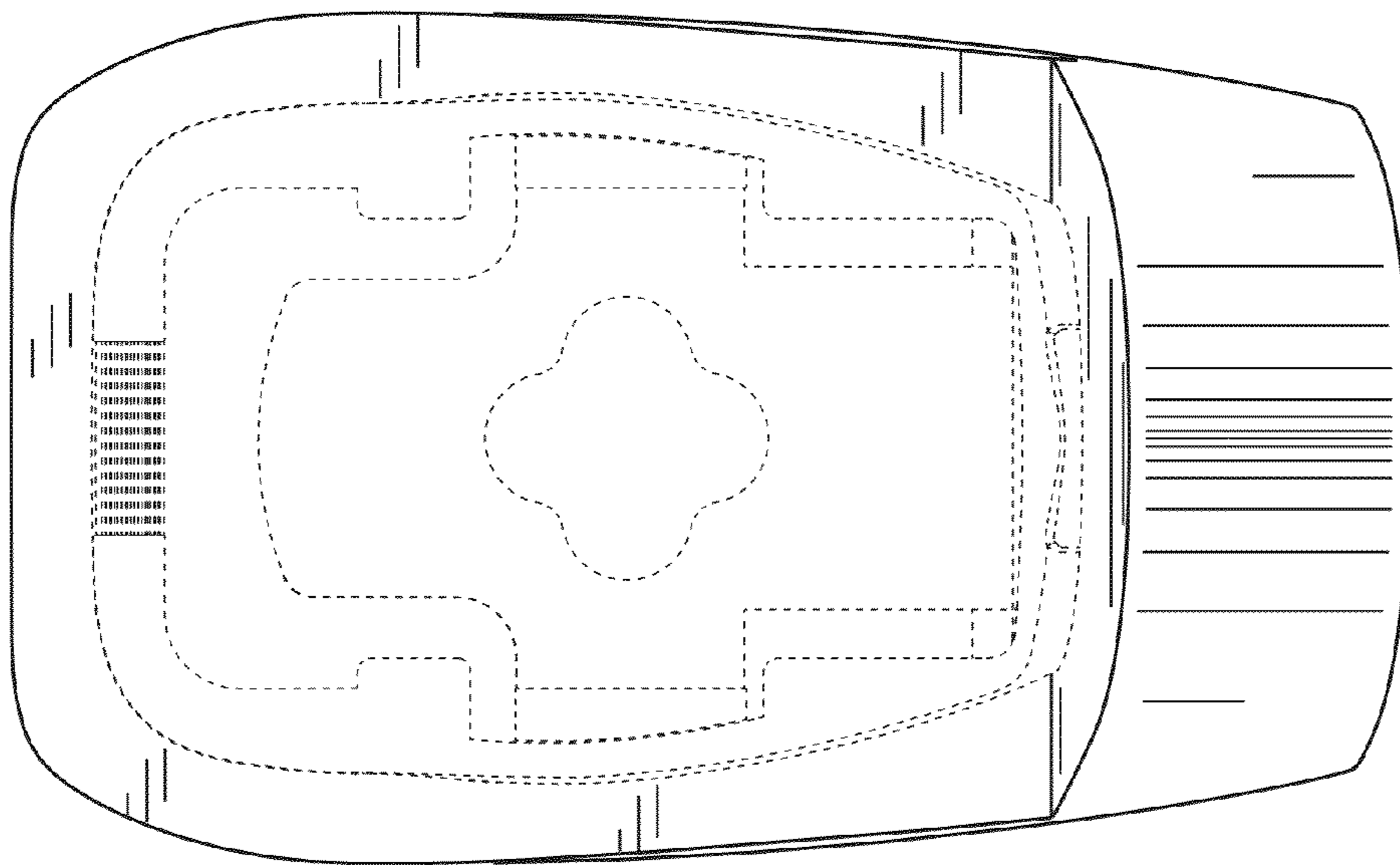


FIG. 6

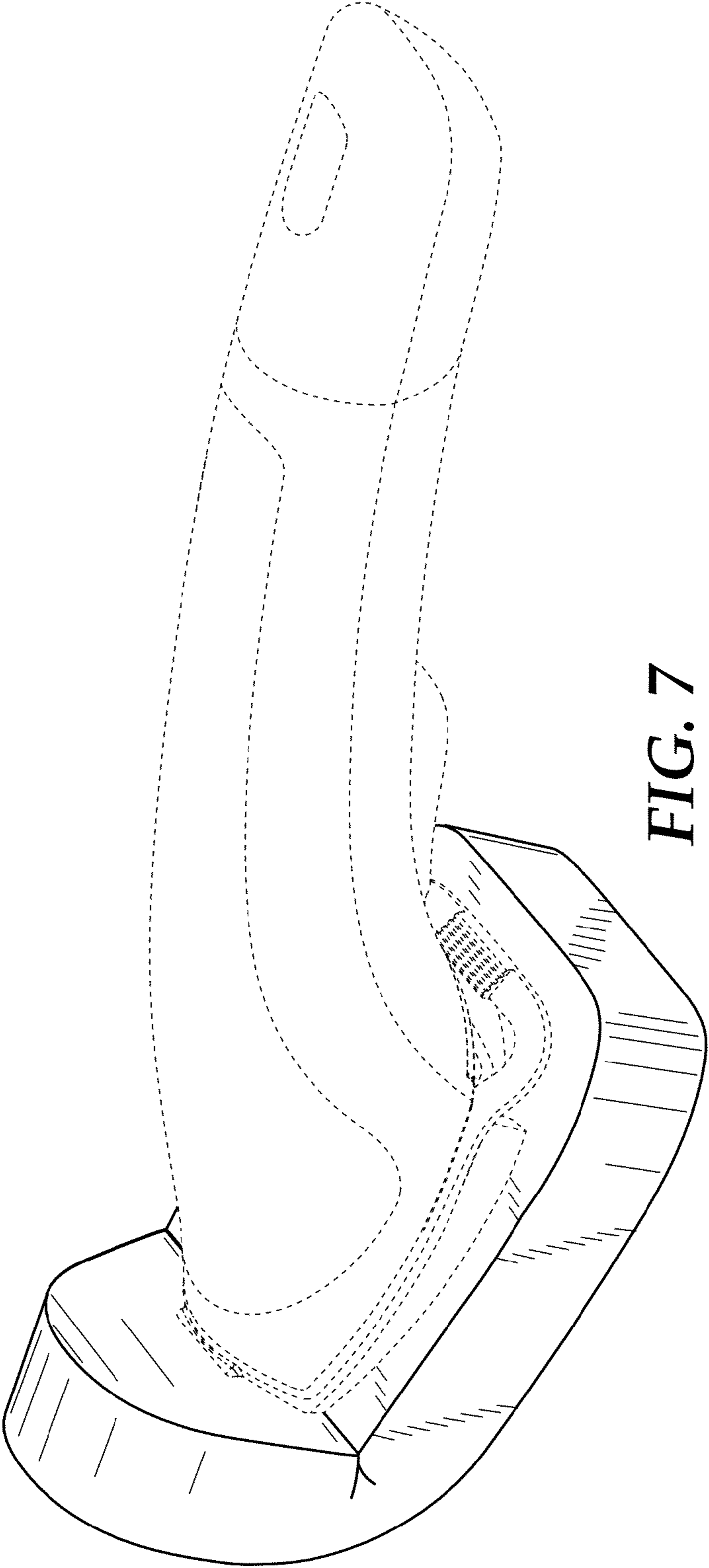


FIG. 7