



US00D709259S

(12) **United States Design Patent**
Hughes et al.

(10) **Patent No.:** **US D709,259 S**
(45) **Date of Patent:** **** Jul. 15, 2014**

(54) **APPLIANCE HEAD**

(71) Applicant: **Euro-Pro Operating LLC**, Newton, MA (US)
(72) Inventors: **William Scott Hughes**, Waltham, MA (US); **James Russell Varney**, Maynard, MA (US); **Bryan Robert Hotaling**, Harvard, MA (US); **Scott A. Leclerc**, Ashby, MA (US); **James M. Ormond**, Belmont, MA (US); **Matthew C. White**, Brighton, MA (US)

(73) Assignee: **Euro-Pro Operating LLC**, Newton, MA (US)

(**) Term: **14 Years**

(21) Appl. No.: **29/447,256**

(22) Filed: **Mar. 1, 2013**

(51) **LOC (10) Cl.** **15-05**

(52) **U.S. Cl.**
USPC **D32/33**

(58) **Field of Classification Search**
USPC D32/38-40, 45, 50, 51, 31-33, 22, 17;
15/415.1-422, 1, 414, 320, 322, 405,
15/410, 353, 400, 333, 334, 335, 350,
15/327.1-327.7, 354-355, 357, 98, 403,
15/228, 231, 104.93, 49.1; 401/138, 140
See application file for complete search history.

(56) **References Cited**

U.S. PATENT DOCUMENTS

2,926,370 A 3/1960 Wessel
5,511,271 A 4/1996 Shishido et al.
D467,396 S * 12/2002 Savage D32/51
D487,324 S * 3/2004 Santiago et al. D32/32

D487,947 S * 3/2004 Pecci et al. D32/32
D490,950 S * 6/2004 Pecci et al. D32/32
7,155,768 B2 1/2007 Morita et al.
D542,990 S * 5/2007 Polanchek D32/32
D566,358 S * 4/2008 Santiago D32/32
D654,237 S * 2/2012 Vrdoljak D32/32
D660,536 S * 5/2012 Weaver et al. D32/51
D661,034 S * 5/2012 Ediger et al. D32/45
D677,848 S * 3/2013 Ediger et al. D32/50
D688,431 S * 8/2013 Luedke et al. D32/32
2003/0172480 A1 9/2003 Ueda et al.
2004/0148732 A1* 8/2004 Allard-Latour et al. 15/415.1
2012/0042462 A1 2/2012 Milanese et al.
2013/0174374 A1* 7/2013 Guder et al. 15/415.1

* cited by examiner

Primary Examiner — Ruth McInroy

(74) *Attorney, Agent, or Firm* — Wolf, Greenfield & Sacks, P.C.

(57) **CLAIM**

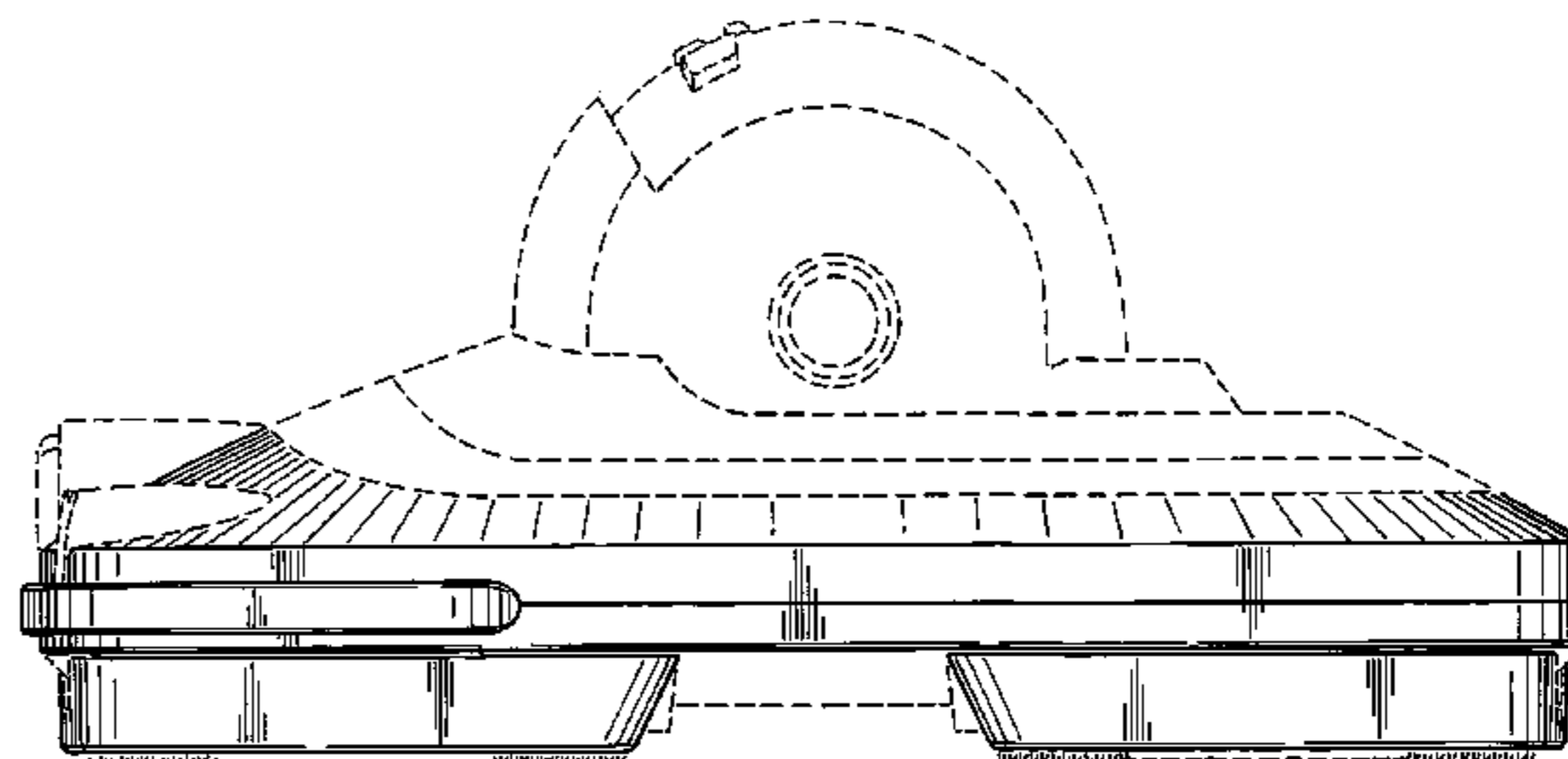
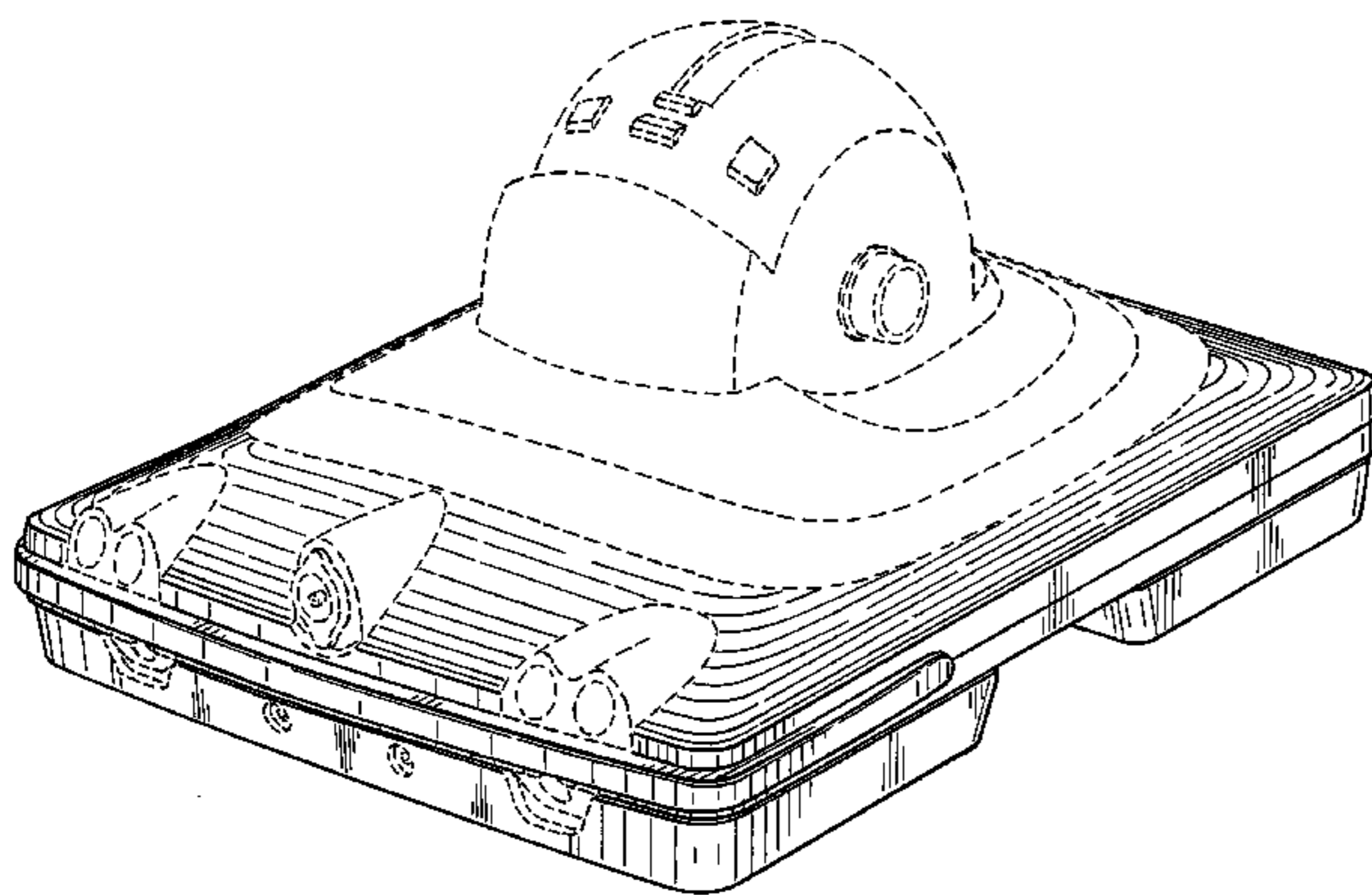
The ornamental design for an appliance head, as shown and described.

DESCRIPTION

FIG. 1 is a top, front, right side perspective view of an appliance head showing our new design;
FIG. 2 is a front elevational view thereof;
FIG. 3 is a rear elevational view thereof;
FIG. 4 is a left side elevational view thereof;
FIG. 5 is a right side elevational view thereof;
FIG. 6 is a top plan view thereof;
FIG. 7 is a bottom plan view thereof; and,
FIG. 8 is a perspective view thereof, showing the claimed design attached to an appliance body which is shown in broken lines.

The details shown in broken lines are for illustrative purposes only and form no part of the claimed design.

1 Claim, 7 Drawing Sheets



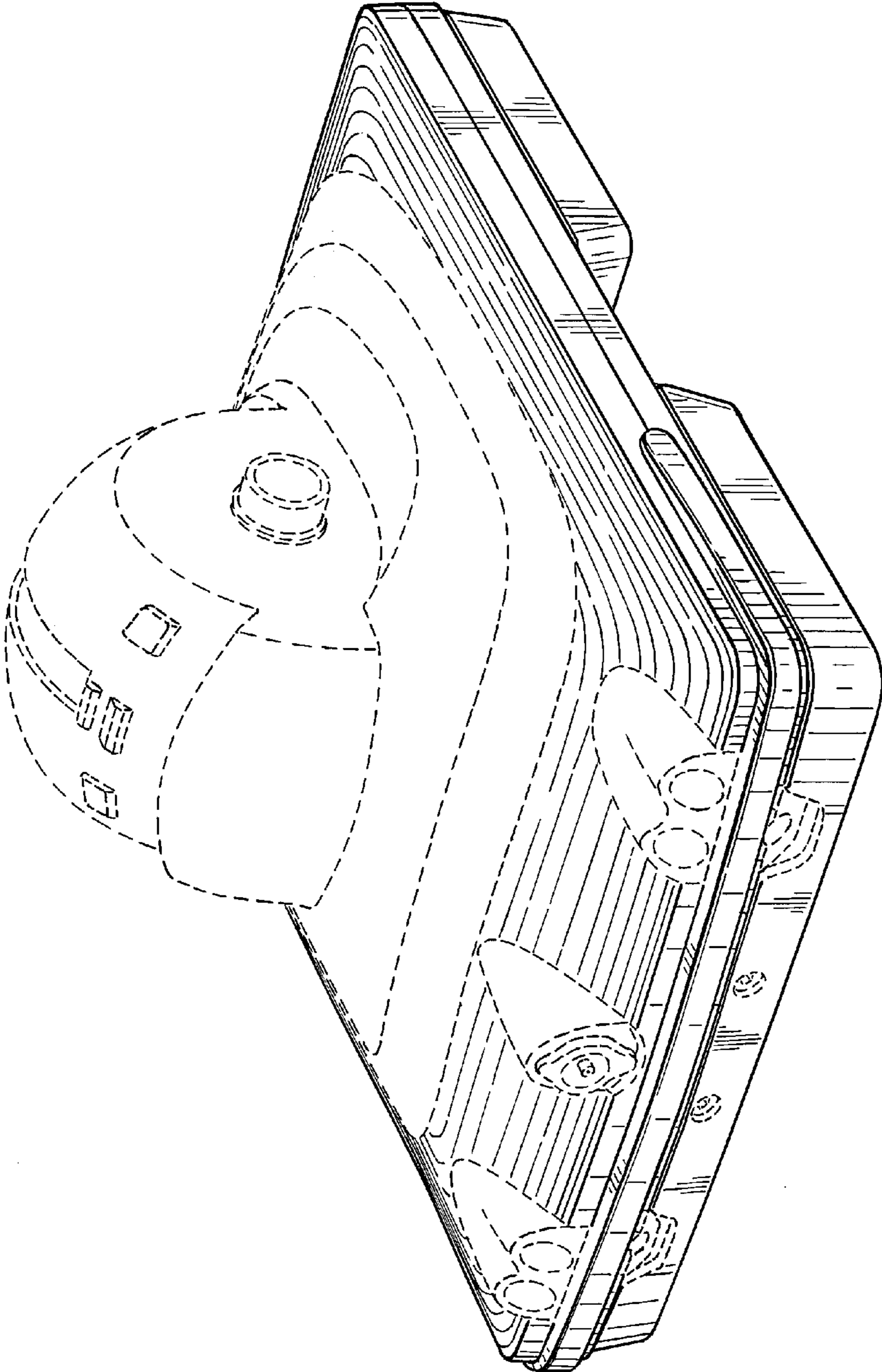


Fig. 1

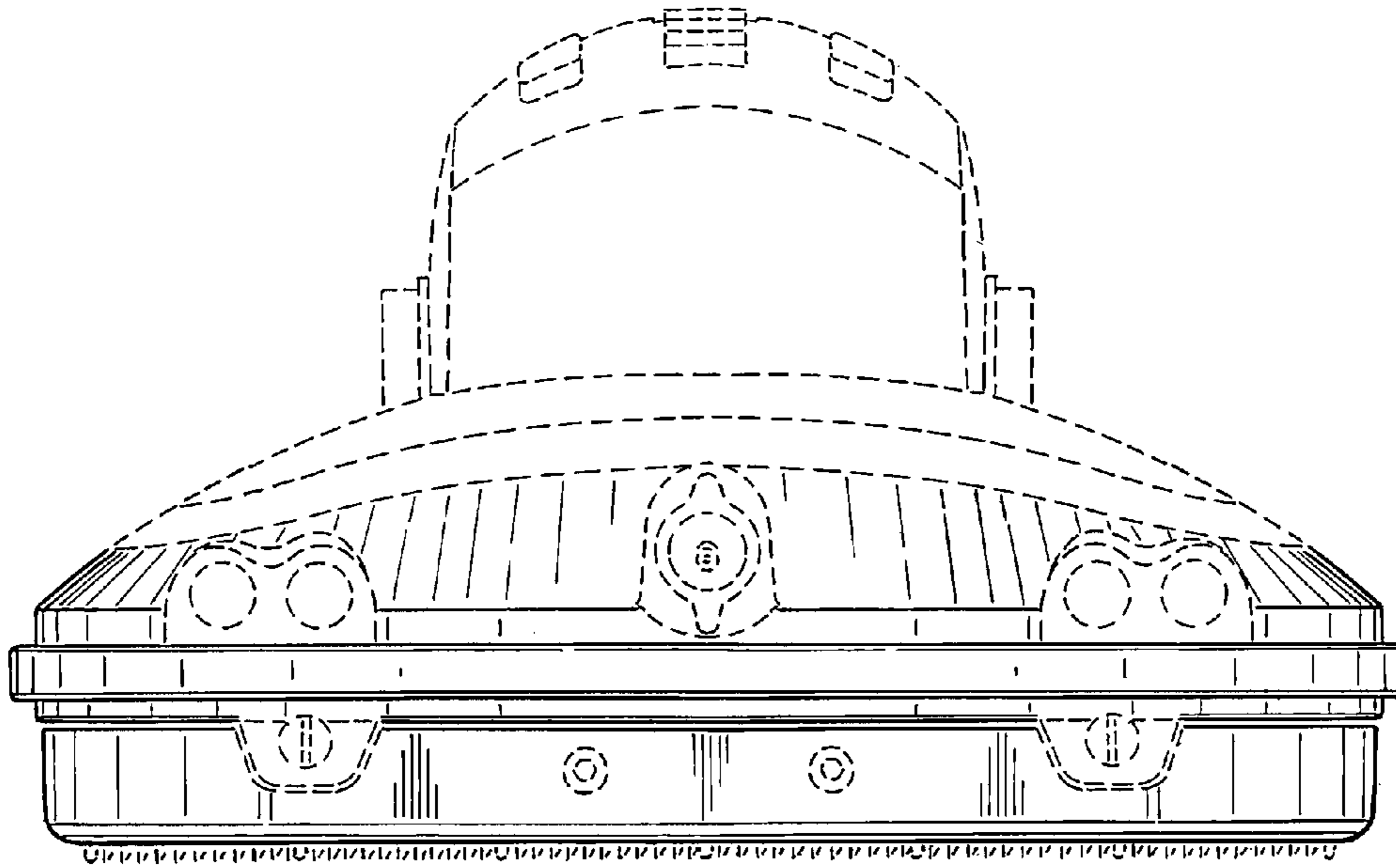


Fig. 2

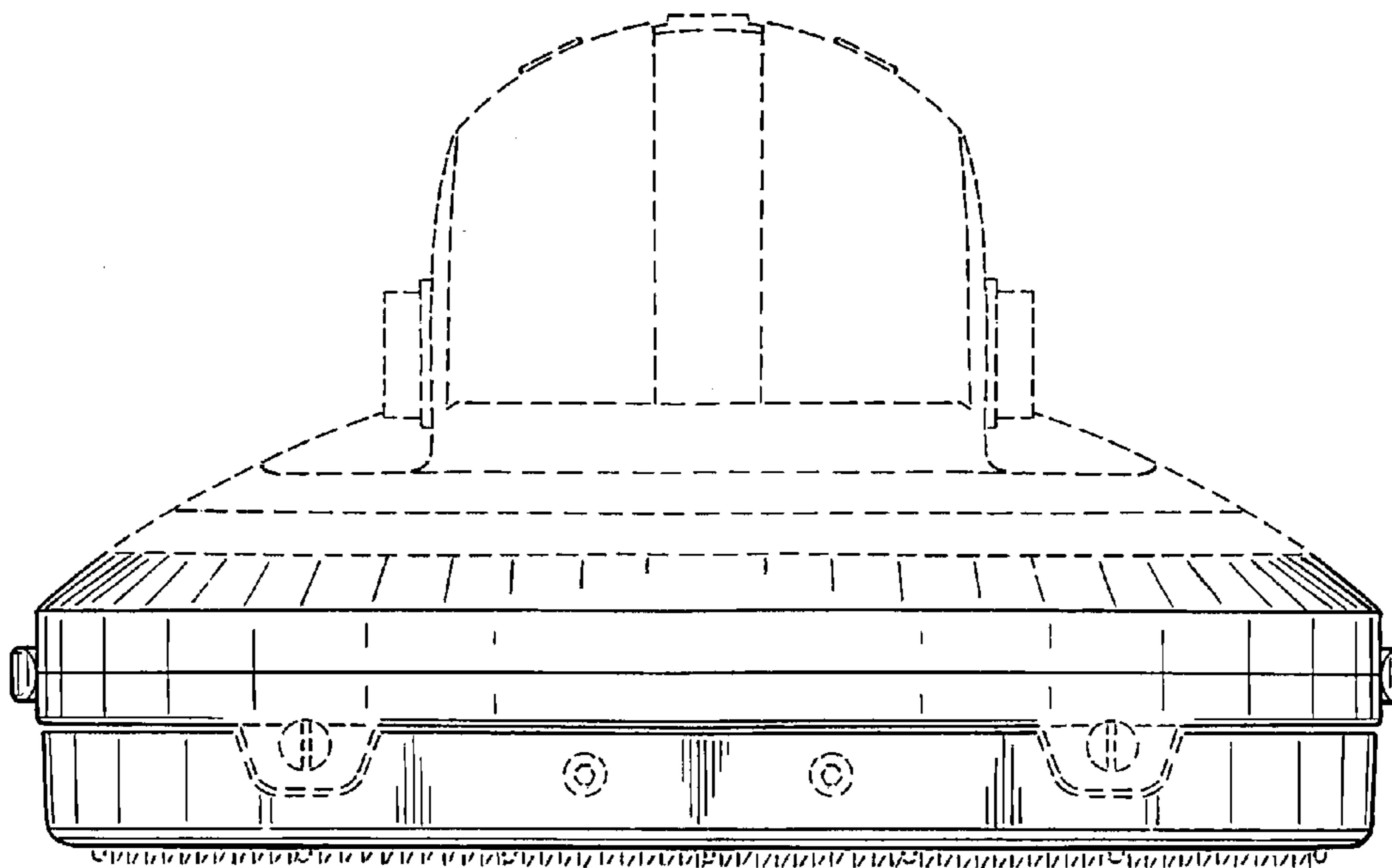


Fig. 3

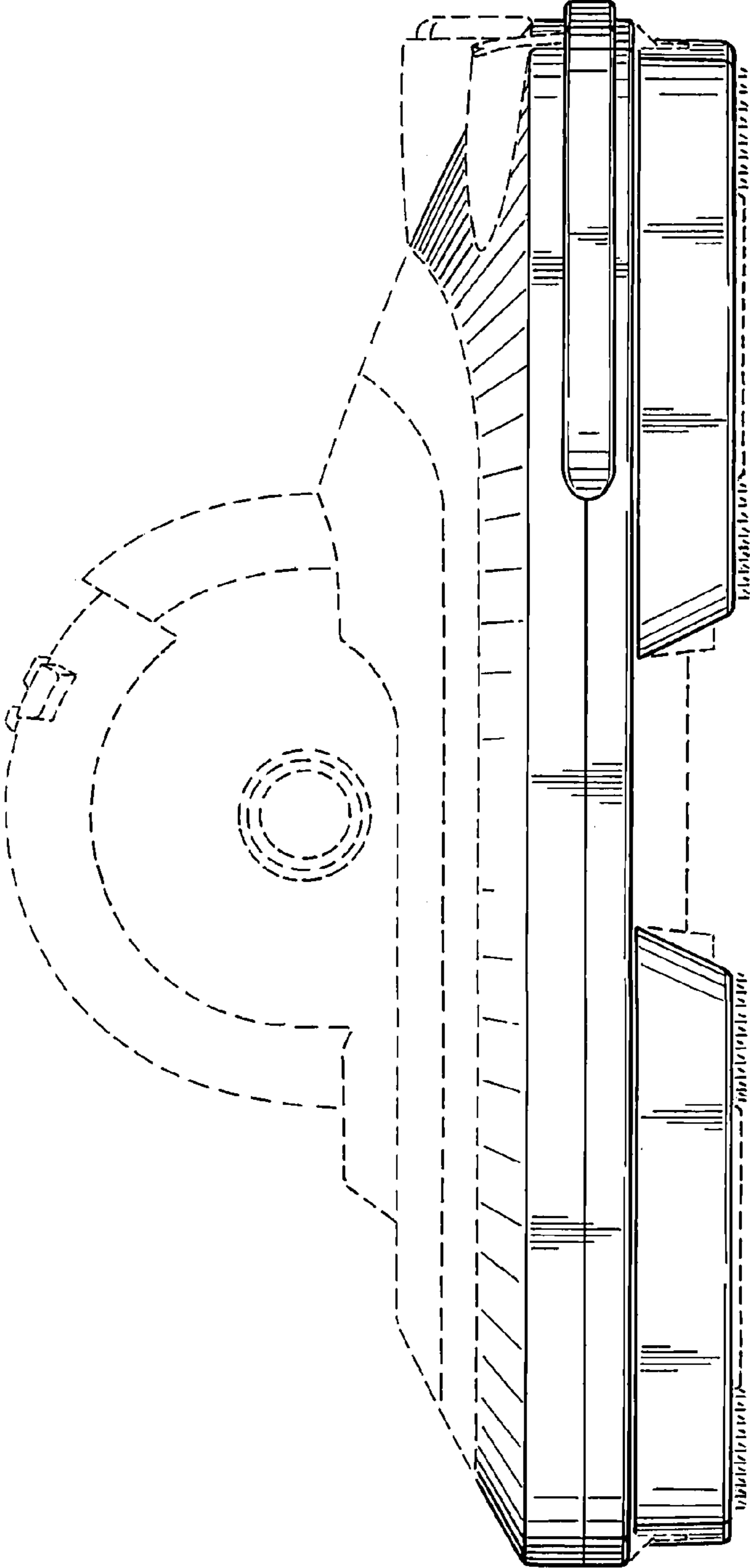


Fig. 4

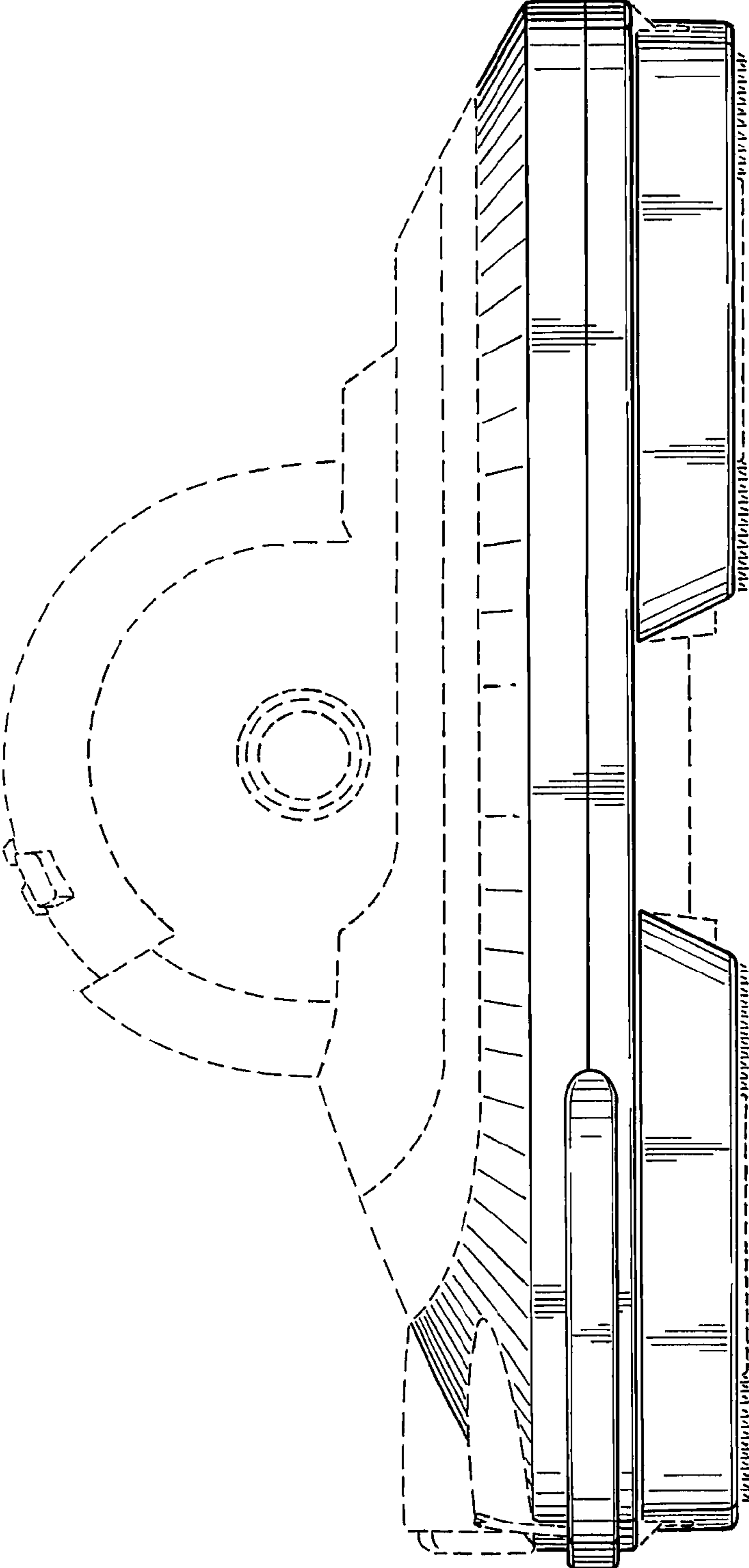


Fig. 5

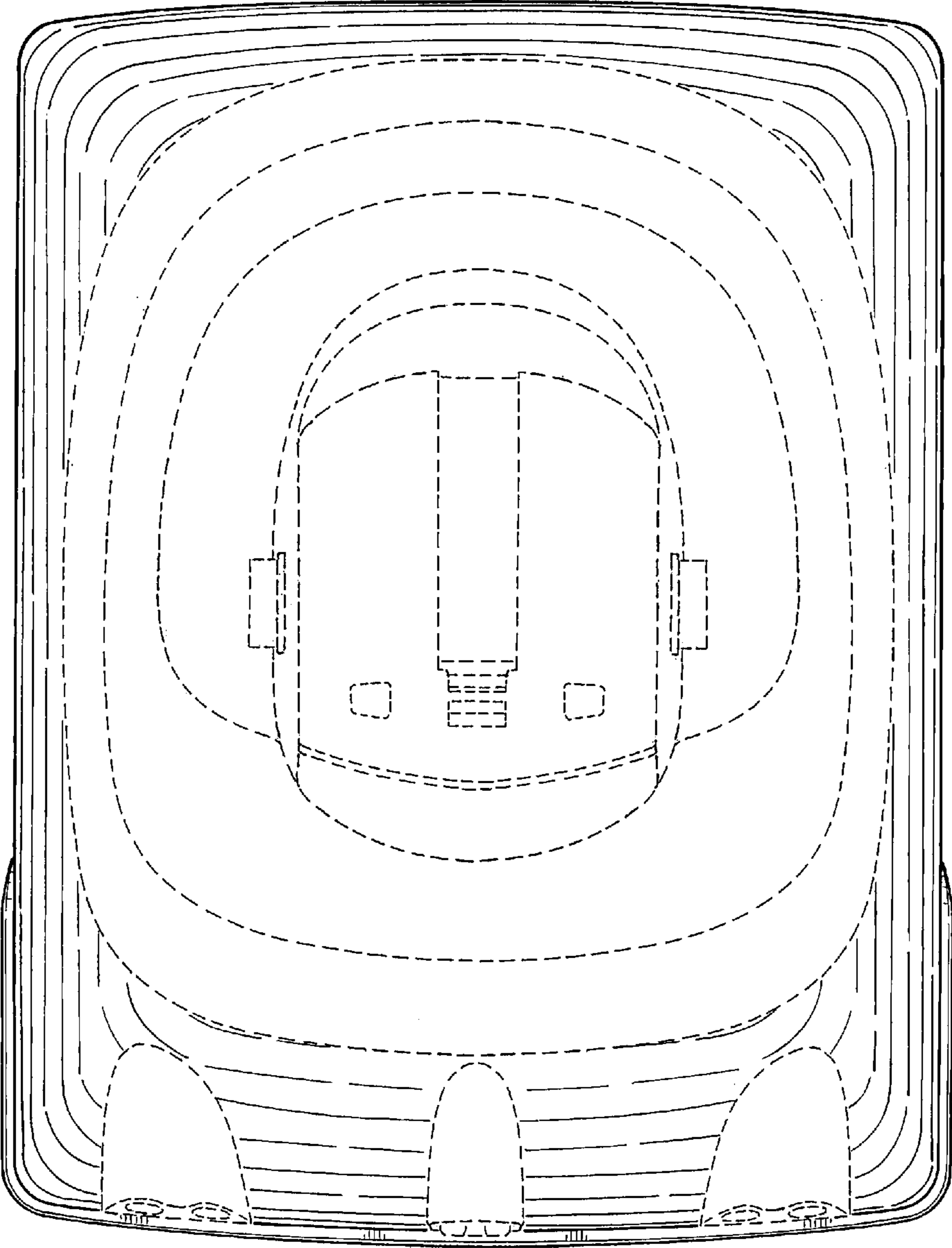


Fig. 6

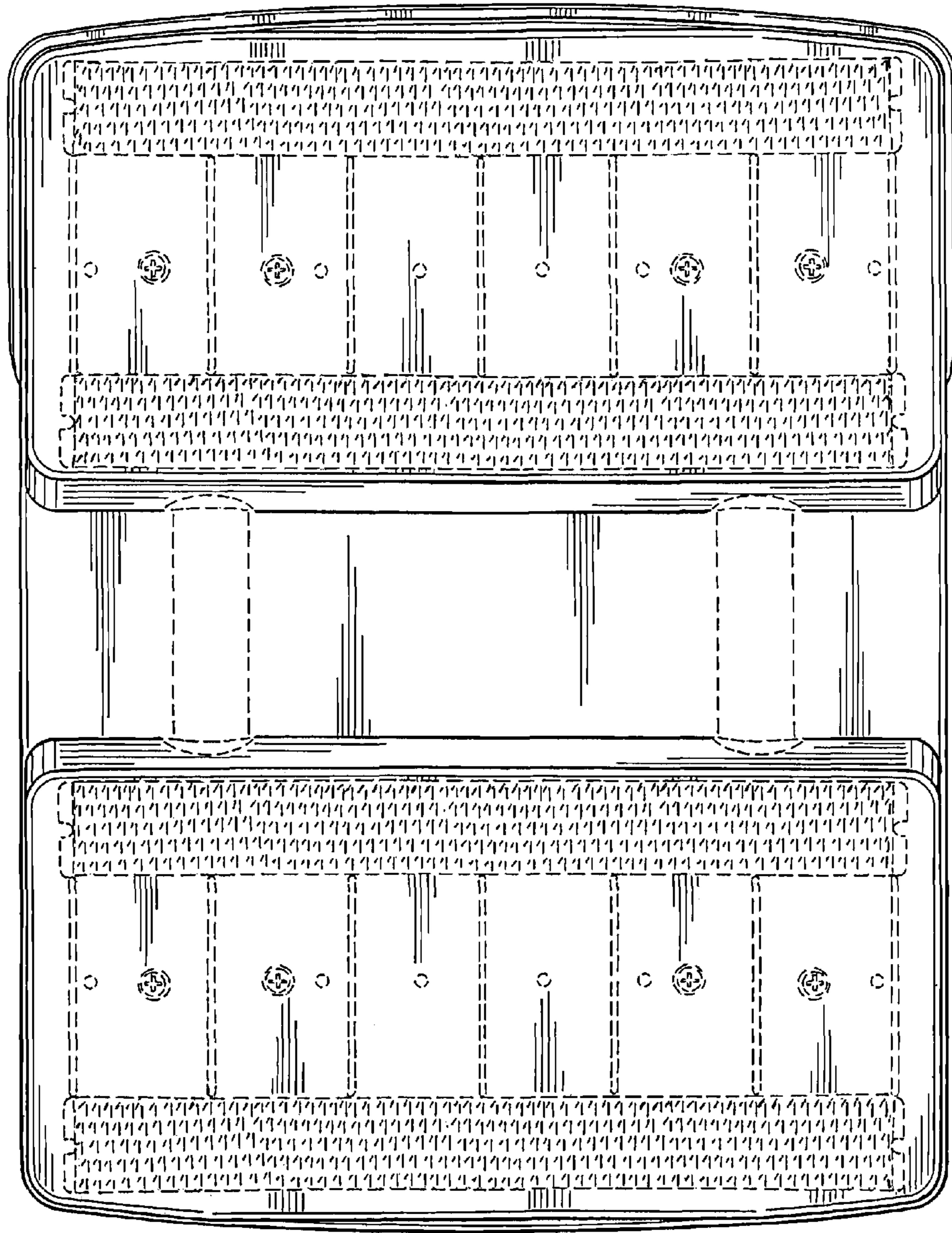


Fig. 7

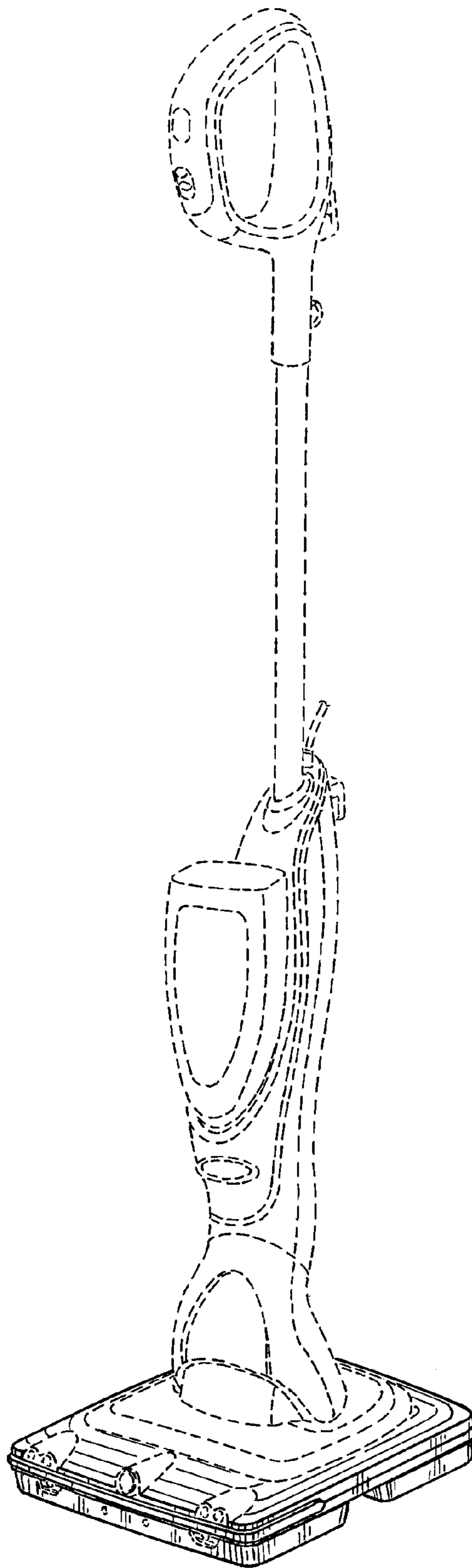


Fig. 8