



US00D709257S

(12) **United States Design Patent**
Kent et al.

(10) **Patent No.:** **US D709,257 S**
(45) **Date of Patent:** **** Jul. 15, 2014**

(54) **CLEANING HEAD**

(71) Applicant: **Kent Research Corporation**, Ash Flat, AR (US)

(72) Inventors: **Willie Dee Kent**, Oro Valley, AZ (US);
Steven Rodger Kent, Ash Flat, AR (US)

(73) Assignee: **Kent Research Corporation**, Ash Flat, AR (US)

(**) Term: **14 Years**

(21) Appl. No.: **29/441,993**

(22) Filed: **Jan. 11, 2013**

(51) **LOC (10) Cl.** **15-05**

(52) **U.S. Cl.**
USPC **D32/32**

(58) **Field of Classification Search**
USPC D32/17, 22, 31-33, 50; 15/415.1-422,
15/1, 400, 414, 328, 329, 320, 22, 353,
15/361, 410, 383, 363, 327.1, 405, 246.2,
15/246.3, 4, 412, 396-399, 393, 982;
285/7; 134/21, 198; 38/77.5, 77.9;
392/384, 404; 68/5 R, 5 A, 222; 223/51,
223/70, 73; 239/538

See application file for complete search history.

(56) **References Cited**

U.S. PATENT DOCUMENTS

2,235,226	A *	3/1941	Lofgren et al.	15/420
D165,509	S *	12/1951	Calvin	D32/18
D208,851	S *	10/1967	Lindberg	D32/33
6,513,192	B1	2/2003	Pearlstein	
7,162,769	B2 *	1/2007	Tratter	15/321
D592,365	S *	5/2009	Massip et al.	D32/17
7,757,340	B2 *	7/2010	Sawalski	15/300.1
D689,251	S *	9/2013	Kent et al.	D32/32
2006/0260089	A1 *	11/2006	Hammond	15/322
2007/0033766	A1 *	2/2007	Livingston	15/353
2008/0034813	A1 *	2/2008	Tobias	68/222

2010/0223750	A1	9/2010	Kappos et al.	
2012/0204376	A1 *	8/2012	Charlton	15/322
2013/0180550	A1 *	7/2013	Kent et al.	134/21

FOREIGN PATENT DOCUMENTS

EP	0902688	B1	1/2005
JP	08-024189	A	1/1996
WO	WO01/06188		1/2001

OTHER PUBLICATIONS

U.S. Appl. No. 29/410,867, filed Jan. 12, 2012.
Office Action Summary from USPTO for U.S. Appl. No. 29/410,867 mailed Feb. 5, 2013.
Office Action Summary from USPTO for U.S. Appl. No. 29/410,867 mailed Mar. 15, 2013.
Notice of Allowance from USPTO for U.S. Appl. No. 29/410,867 mailed Apr. 16, 2013.
International Search Report for PCT/US 97/03719.
International Search Report and Written Opinion for PCT/US2013/021172, International filing date Jan. 11, 2013, mailed from ISA Apr. 23, 2013.

* cited by examiner

Primary Examiner — Ruth McInroy
(74) *Attorney, Agent, or Firm* — Stoel Rives, LLP

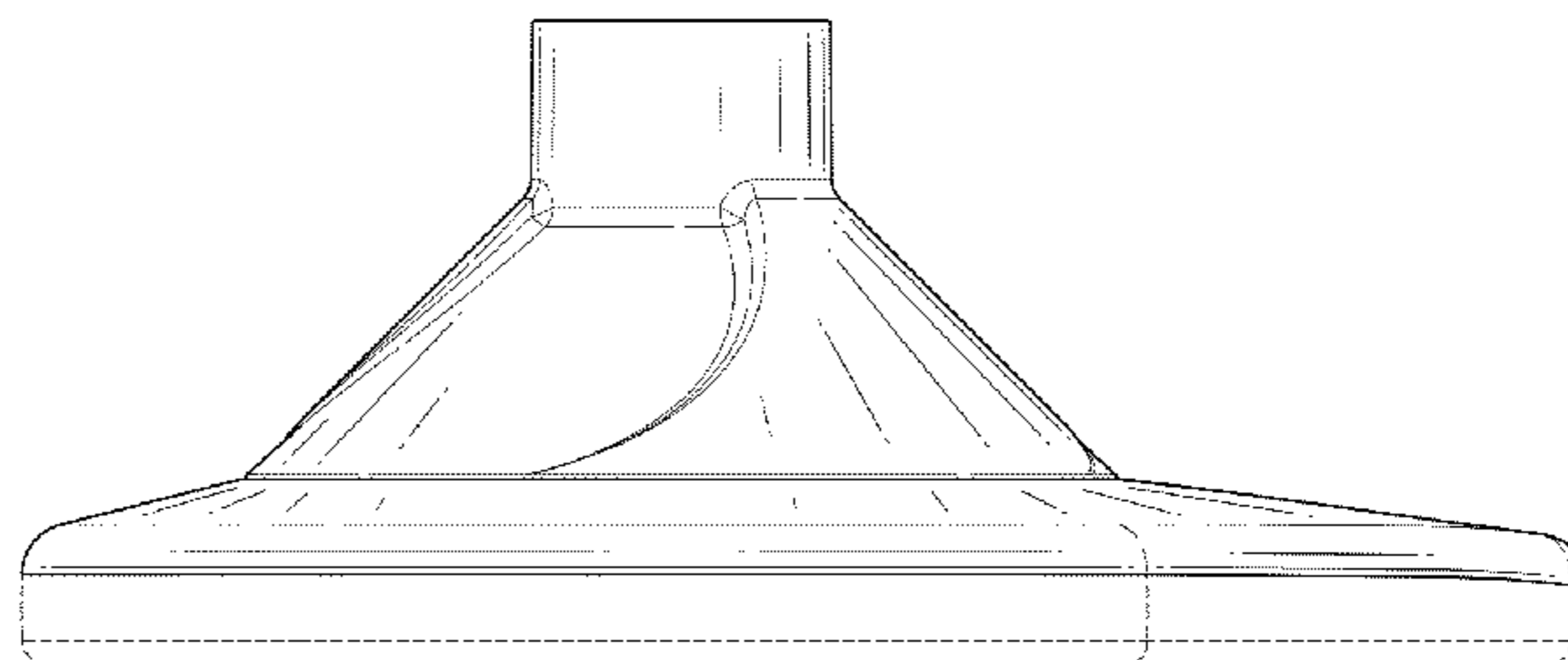
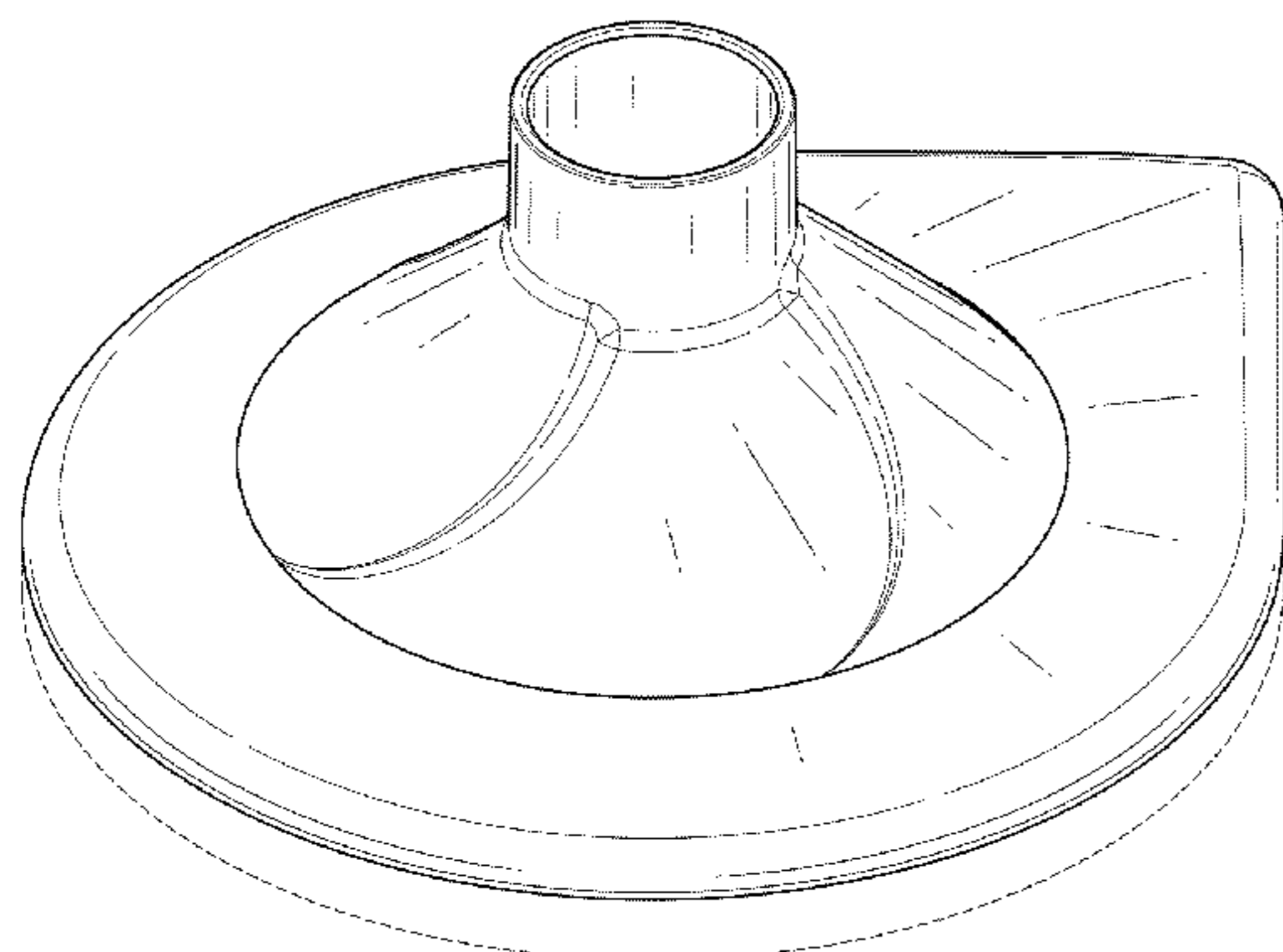
(57) **CLAIM**

The ornamental design for a cleaning head, as shown and described.

DESCRIPTION

FIG. 1 is a top isometric view of a cleaning head showing our new design;
FIG. 2 is a top plan view thereof;
FIG. 3 is a left elevation view thereof;
FIG. 4 is a right elevation view thereof;
FIG. 5 is a front elevation view thereof;
FIG. 6 is a rear elevation view thereof; and,
FIG. 7 is a bottom plan view thereof.
The broken lines are for illustrative purposes only and form no part of the claimed design.

1 Claim, 3 Drawing Sheets



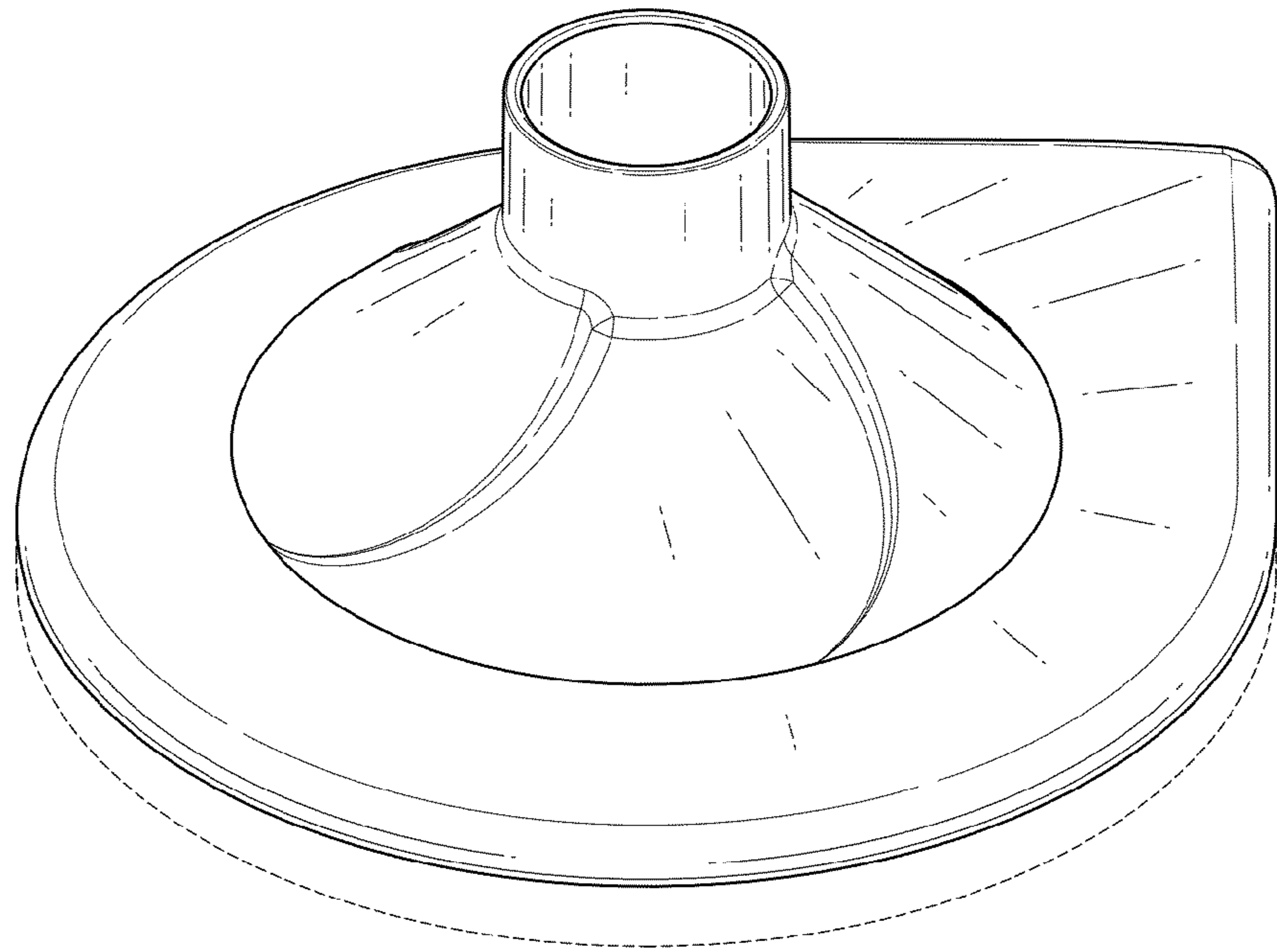


FIG. 1

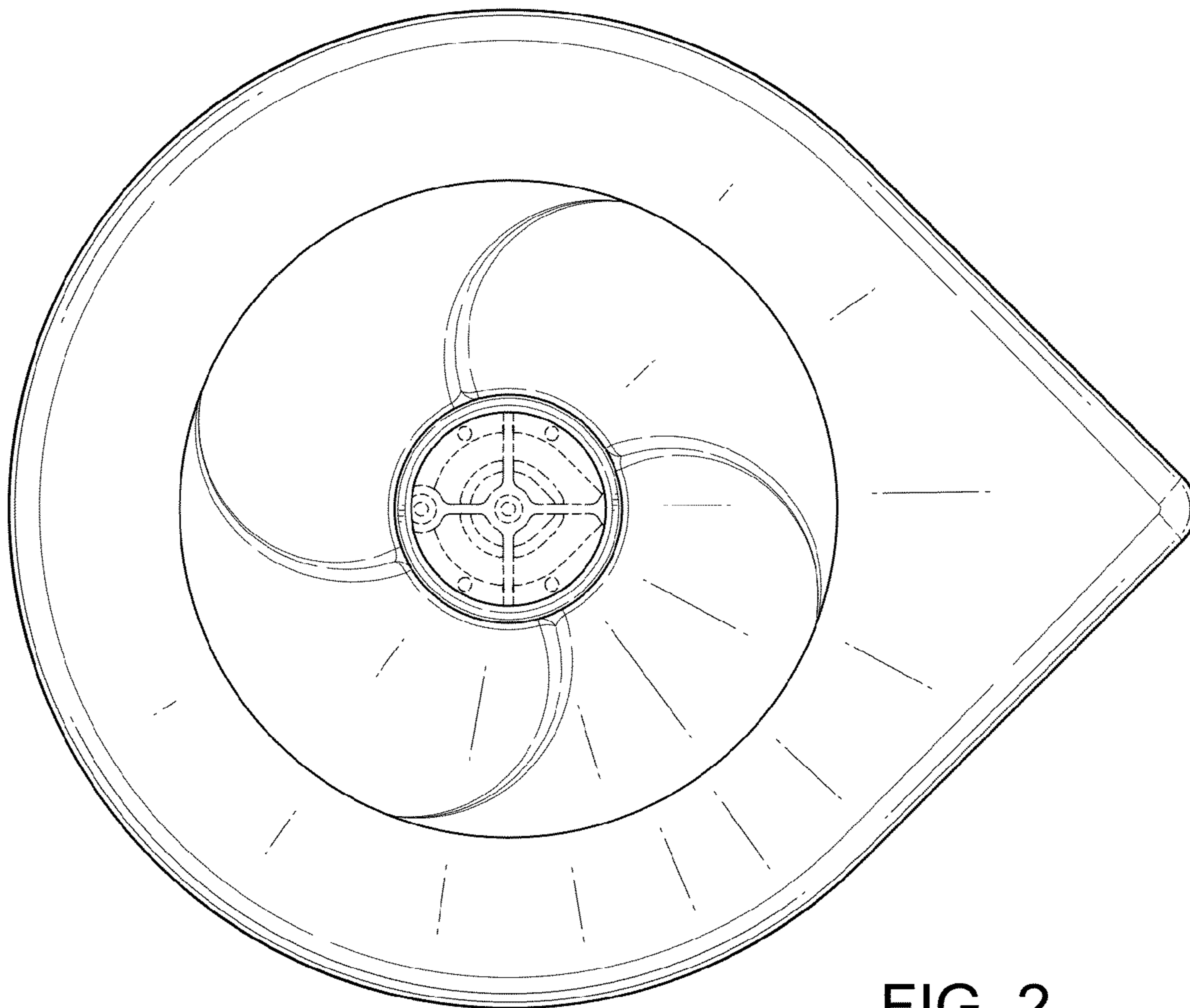


FIG. 2

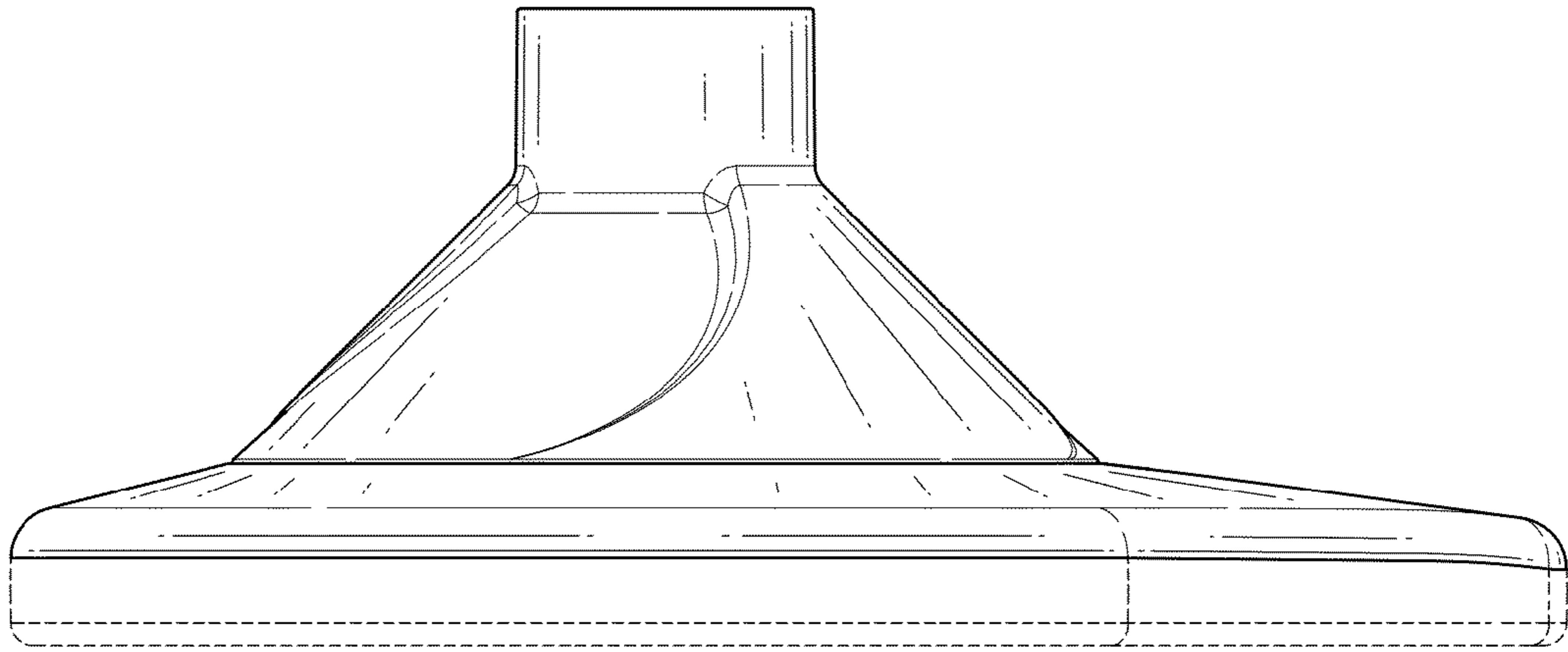


FIG. 3

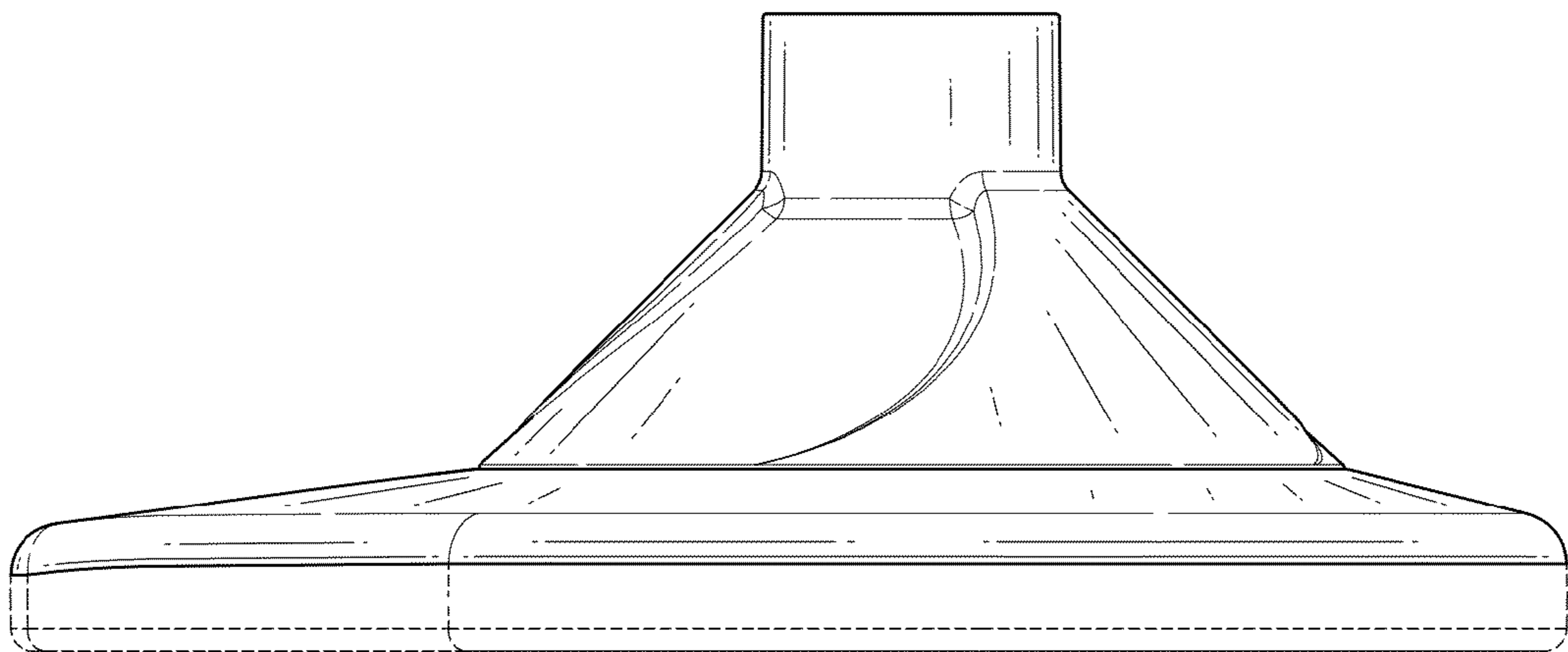


FIG. 4

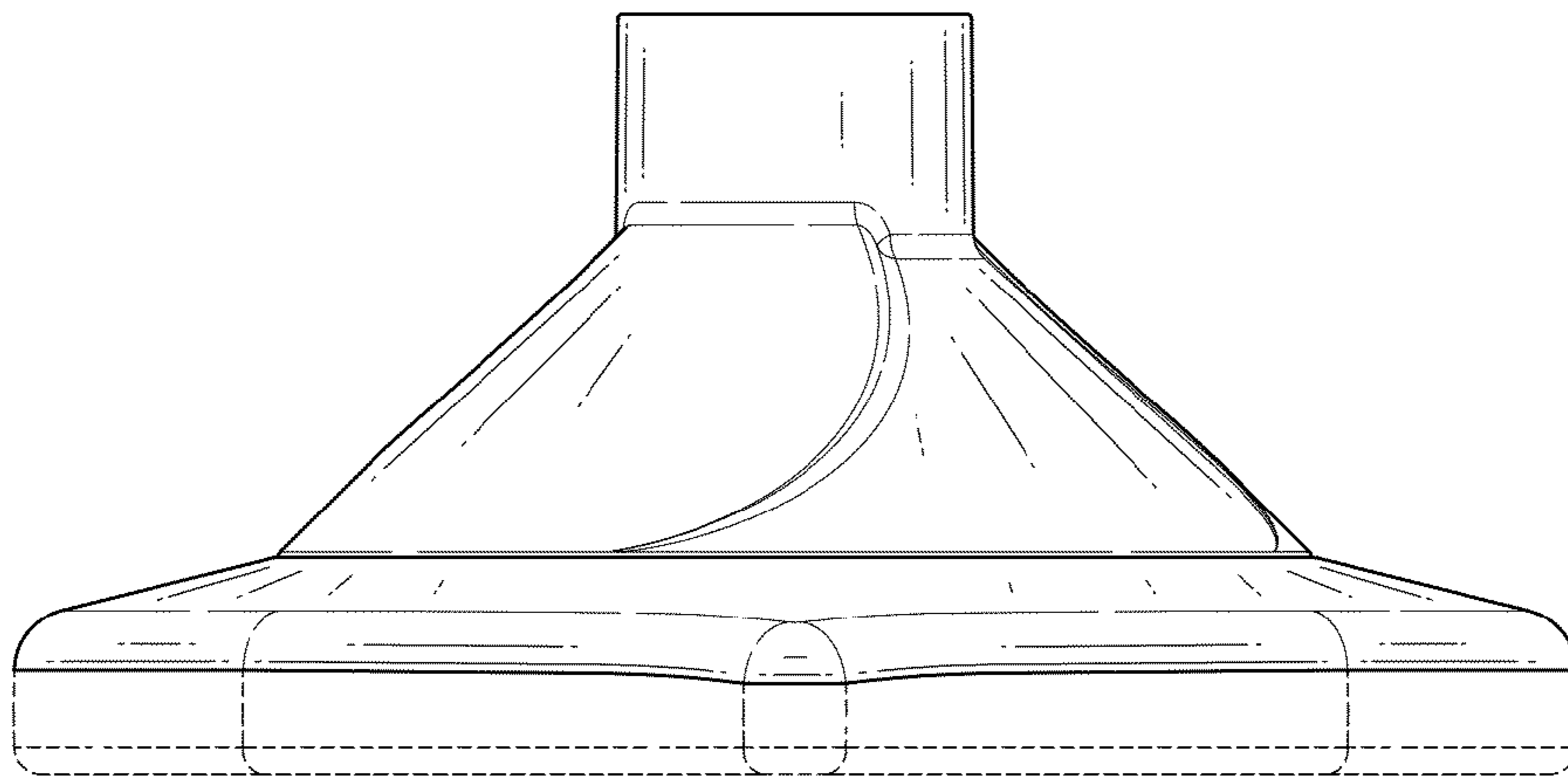


FIG. 5

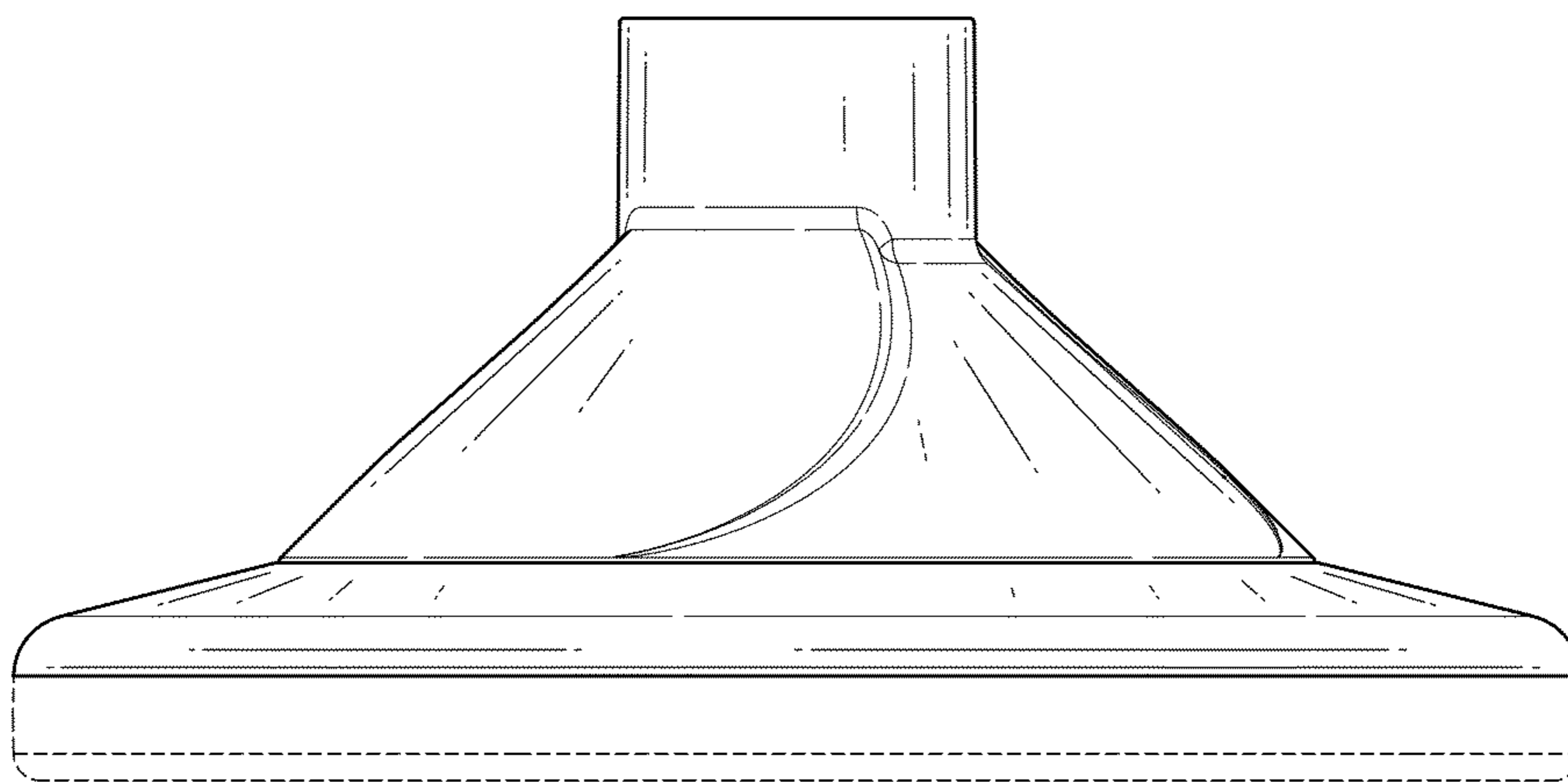


FIG. 6

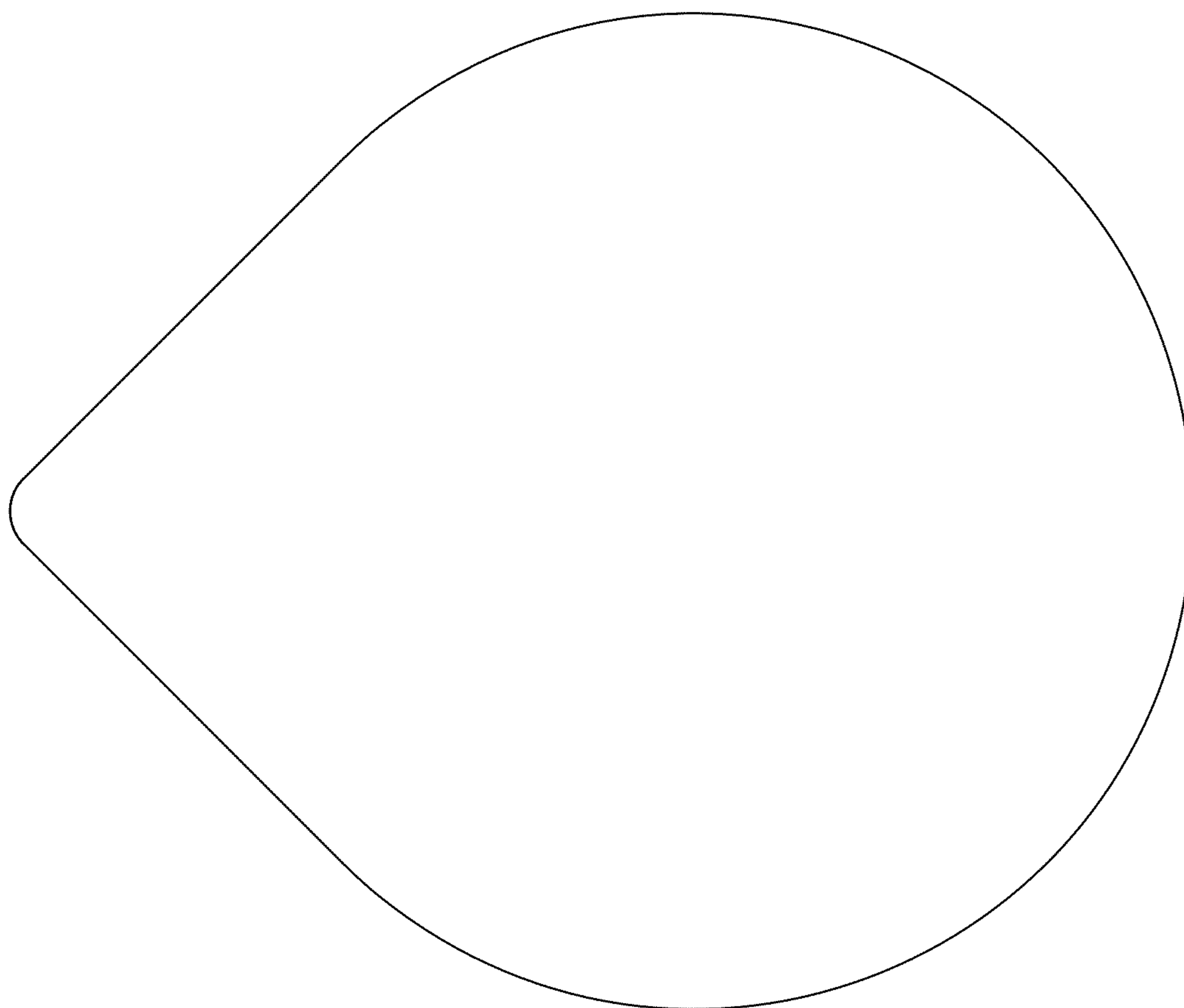


FIG. 7