



US00D709255S

(12) **United States Design Patent**
Wang et al.

(10) **Patent No.:** **US D709,255 S**
(45) **Date of Patent:** **** Jul. 15, 2014**

- (54) **SELF-PROPELLED CLEANING DEVICE**
- (71) Applicant: **Uni-Ring Tech. Co., Ltd.**, Kaohsiung (TW)
- (72) Inventors: **Hsuan-Fan Wang**, Tainan (TW);
Hui-Chen Chen, Kaohsiung (TW)
- (73) Assignee: **Uni-Ring Tech Co., Ltd.**, Kaohsiung (TW)
- (**) Term: **14 Years**
- (21) Appl. No.: **29/462,120**
- (22) Filed: **Jul. 31, 2013**
- (30) **Foreign Application Priority Data**
Feb. 7, 2013 (TW) 102301087
- (51) **LOC (10) Cl.** **15-05**
- (52) **U.S. Cl.**
USPC **D32/21**
- (58) **Field of Classification Search**
USPC D32/21, 23, 31; 15/319.353, 320, 339,
15/340.1, 383, 363, 340.4, 246.2, 384,
15/388, 392, 49.1; 180/6.2; 318/568.12;
901/1; 701/2
See application file for complete search history.

D658,341	S *	4/2012	Nam et al.	D32/21
D659,920	S *	5/2012	Lee et al.	D32/21
D661,032	S *	5/2012	Lee et al.	D32/21
D661,439	S *	6/2012	Lee et al.	D32/21
D661,440	S *	6/2012	Lee et al.	D32/21
D665,547	S *	8/2012	Nam et al.	D32/21
D669,235	S *	10/2012	Bassett et al.	D32/21
D670,877	S *	11/2012	Geringer et al.	D32/21
8,370,985	B2 *	2/2013	Schnittman et al.	15/41.1
8,438,695	B2 *	5/2013	Gilbert et al.	15/319
D690,478	S *	9/2013	Li et al.	D32/21
D691,337	S *	10/2013	Kim et al.	D32/21
8,584,307	B2 *	11/2013	Won et al.	15/319
8,627,542	B2 *	1/2014	Kim et al.	15/319
2006/0288519	A1 *	12/2006	Jaworski et al.	15/340.1
2007/0266508	A1 *	11/2007	Jones et al.	15/49.1
2011/0191976	A1 *	8/2011	Yan	15/319
2012/0023699	A1 *	2/2012	Shim et al.	15/319
2012/0047676	A1 *	3/2012	Jung et al.	15/319
2012/0084934	A1 *	4/2012	Li	15/319
2012/0317744	A1 *	12/2012	Gilbert et al.	15/319
2012/0317745	A1 *	12/2012	Jung et al.	15/319
2013/0025085	A1 *	1/2013	Kim et al.	15/319

(Continued)

Primary Examiner — Ruth McInroy
(74) *Attorney, Agent, or Firm* — Rosenberg, Klein & Lee

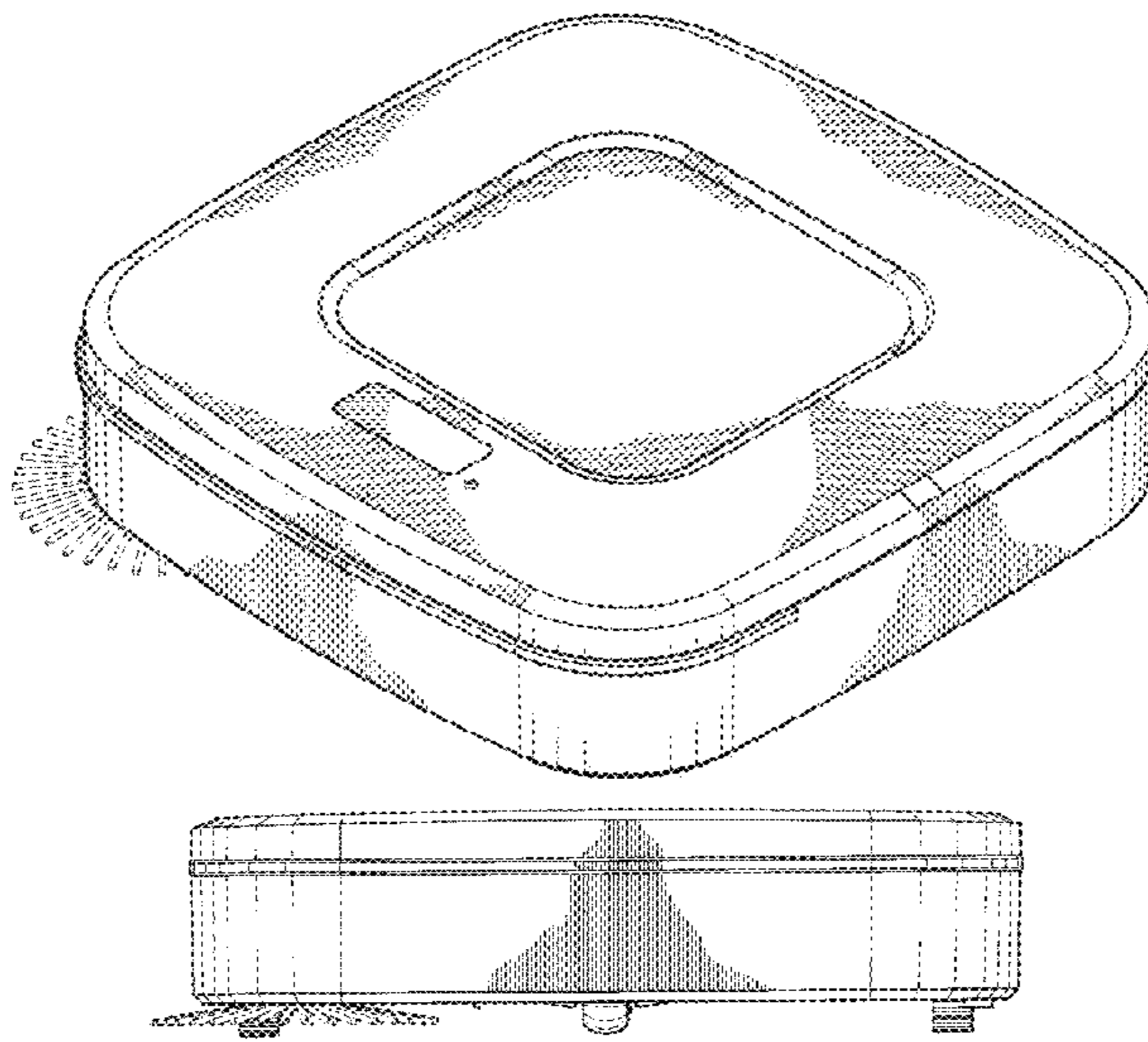
(57) **CLAIM**
The ornamental design for a self-propelled cleaning device, as shown and described.

DESCRIPTION

FIG. 1 is a top perspective view of a self-propelled cleaning device showing our new design; FIG. 2 is a front view thereof. FIG. 3 is a rear view thereof. FIG. 4 is a left side view thereof. FIG. 5 is a right side view thereof; and, FIG. 6 is a top view thereof. The portions of the self-propelled cleaning device depicted in broken lines are not part of the claimed design.

1 Claim, 4 Drawing Sheets

- (56) **References Cited**
U.S. PATENT DOCUMENTS
- D527,854 S * 9/2006 Marzynski D32/21
- D548,411 S * 8/2007 Schroter D32/21
- D548,902 S * 8/2007 Chun et al. D32/21
- D556,961 S * 12/2007 Swyst et al. D32/21
- 7,441,298 B2 * 10/2008 Svendsen et al. 15/49.1
- D586,959 S * 2/2009 Geringer et al. D32/21
- D593,265 S * 5/2009 Carr et al. D32/21
- D596,815 S * 7/2009 Baek D32/21
- 7,832,048 B2 * 11/2010 Harwig et al. 15/320



US D709,255 S

Page 2

(56)

References Cited

U.S. PATENT DOCUMENTS

2013/0086760	A1*	4/2013	Han et al.	15/49.1
2013/0152332	A1*	6/2013	Jang	15/319
2013/0305484	A1*	11/2013	Dyson et al.	15/353
2013/0340201	A1*	12/2013	Jang et al.	15/319
2013/0061417	A1*	3/2013	Vanderstegen-Drake et al.	15/319

* cited by examiner

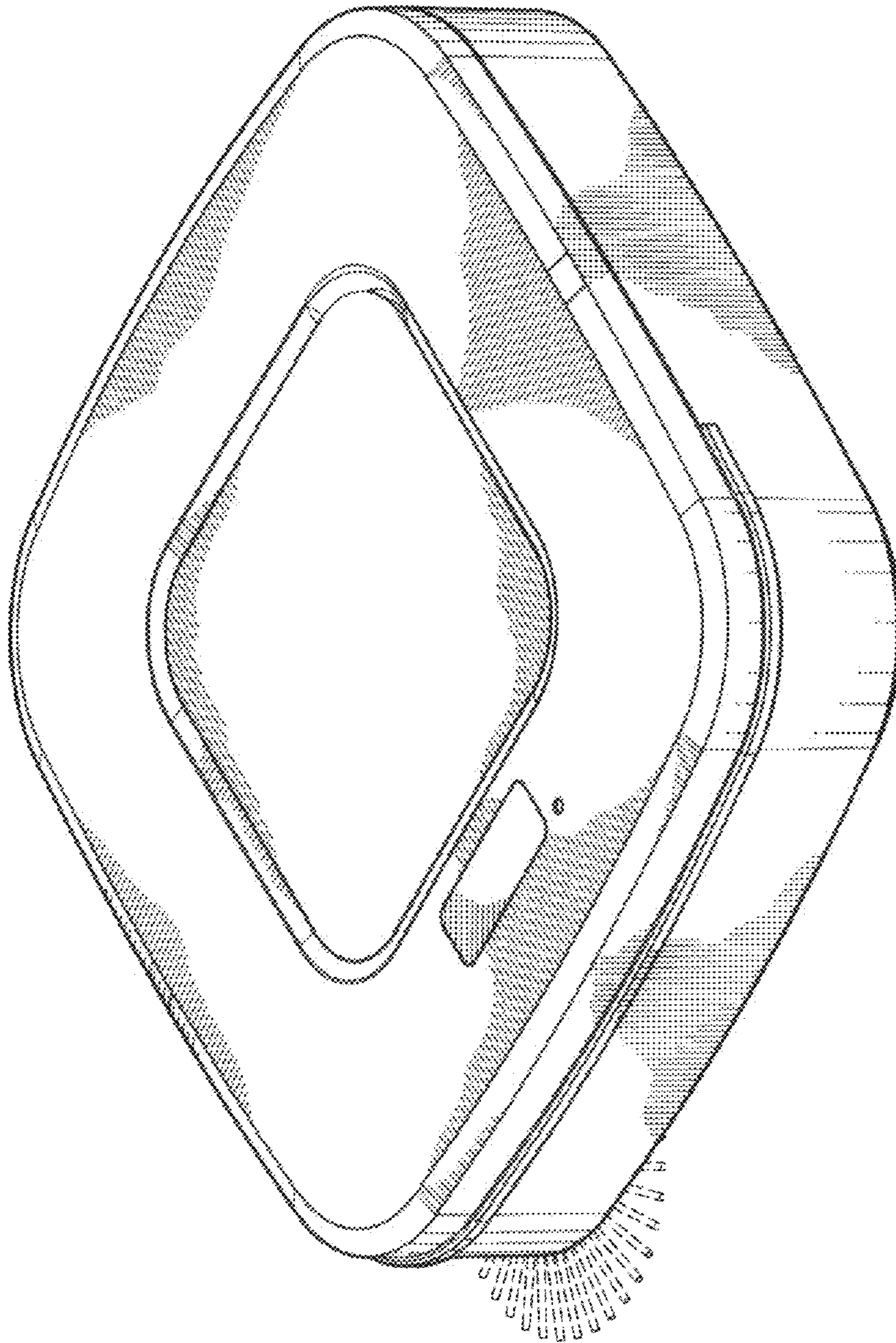


FIG. 1

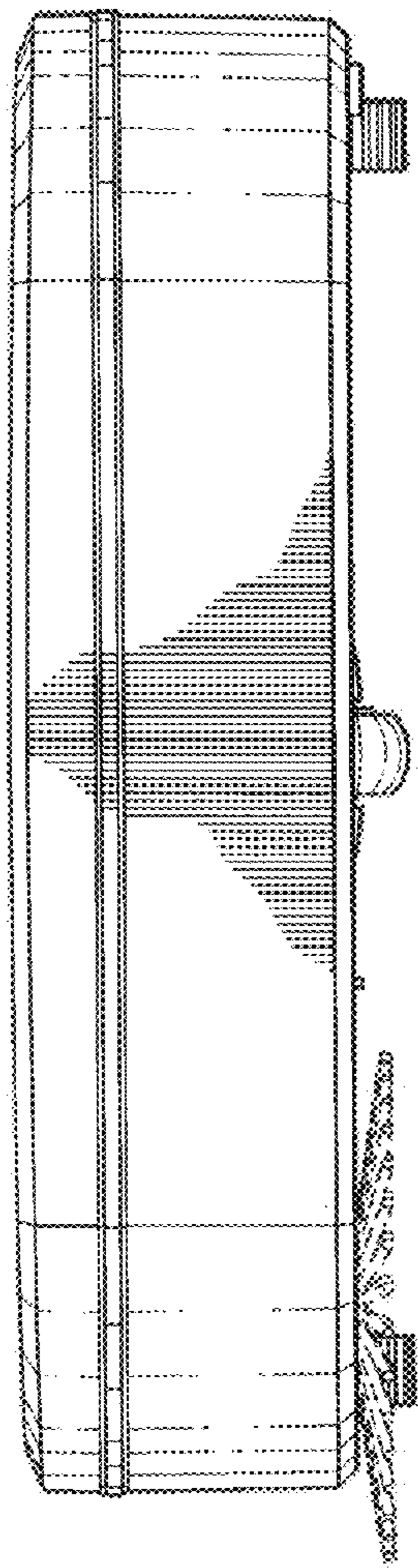


FIG. 2

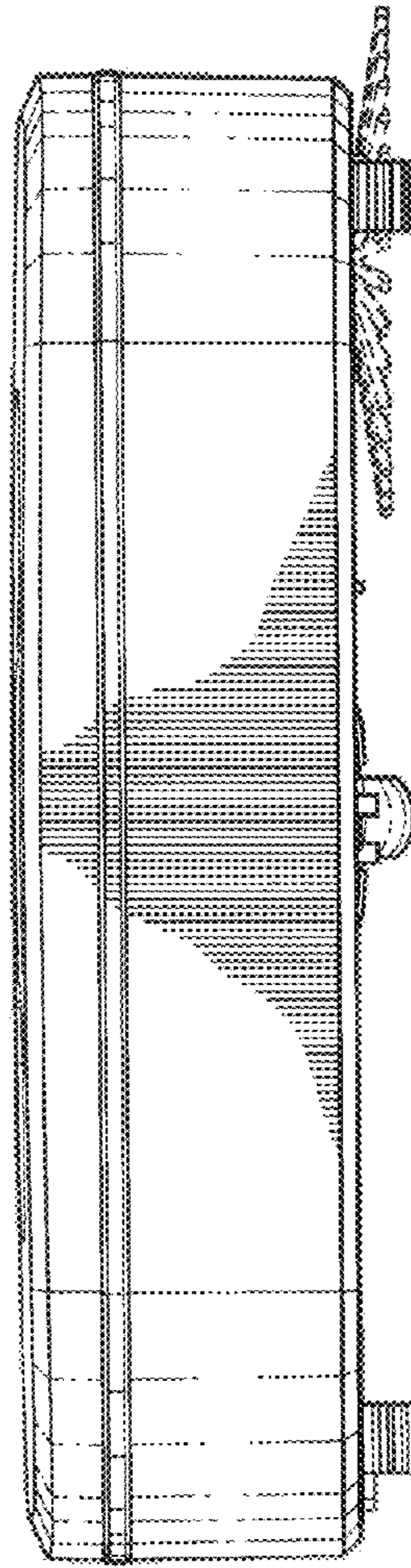


FIG. 3

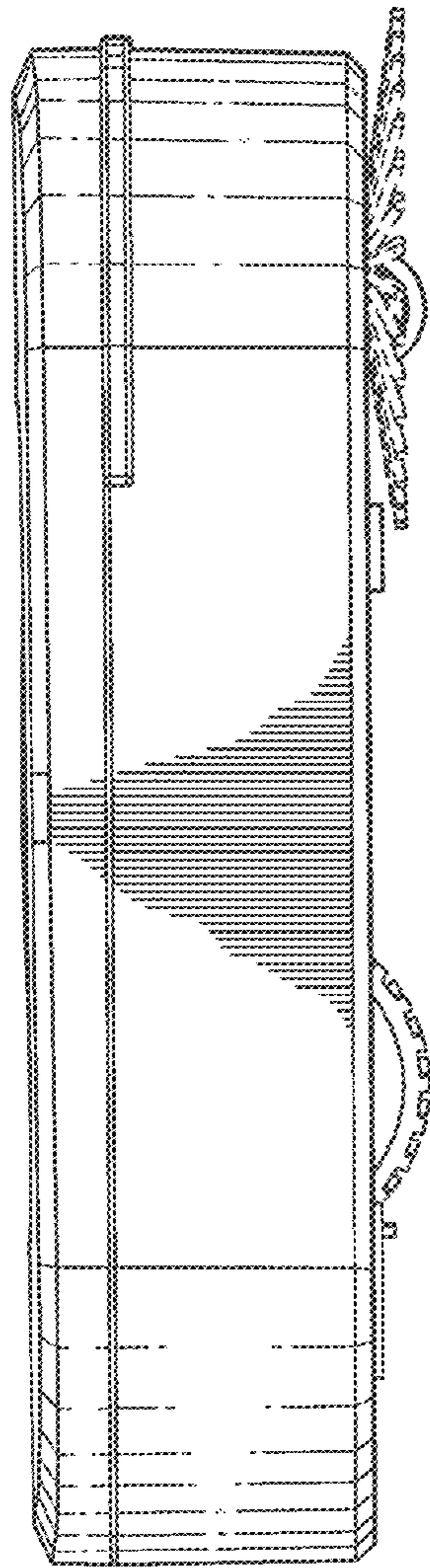


FIG. 4

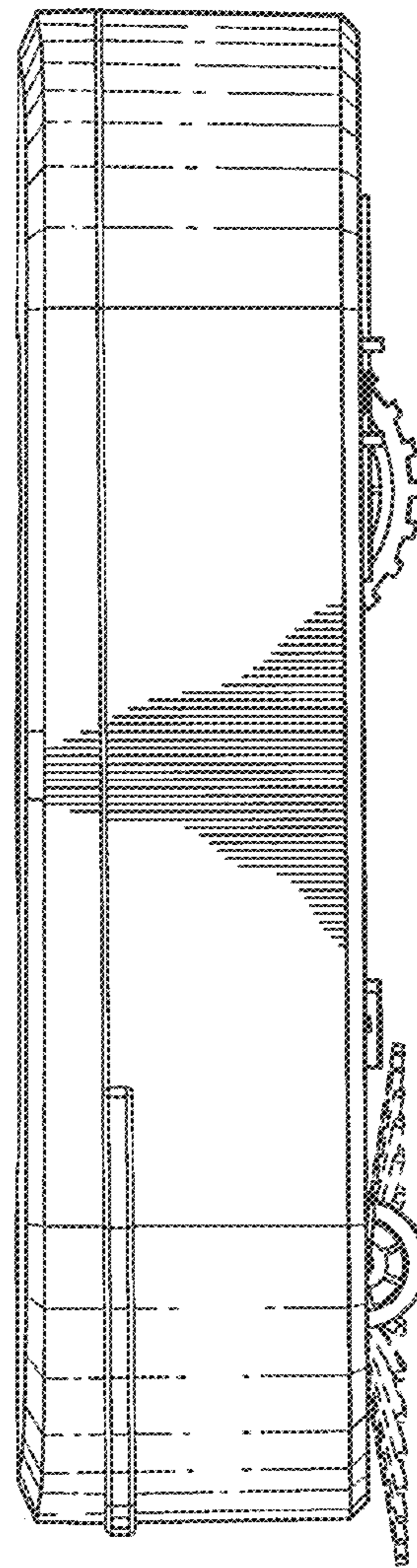


FIG. 5

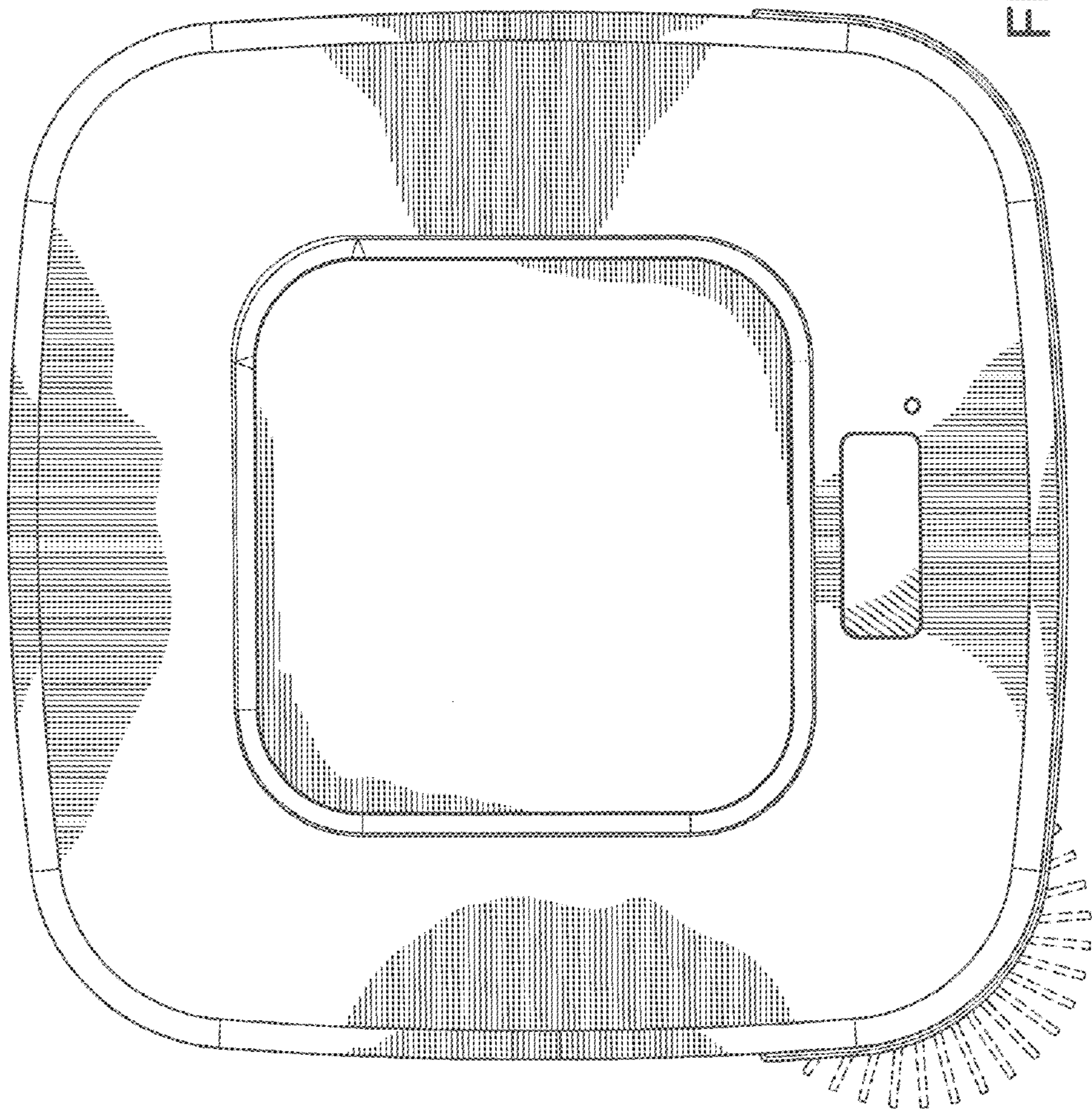


FIG. 6