

US00D709254S

(12) **United States Design Patent**
Bisson

(10) **Patent No.:** **US D709,254 S**
(45) **Date of Patent:** **** Jul. 15, 2014**

(54) **CARPET CLEANING SPOTTER**

(71) Applicant: **Montgomery Bisson**, Huntington Beach, CA (US)

(72) Inventor: **Montgomery Bisson**, Huntington Beach, CA (US)

(**) Term: **14 Years**

(21) Appl. No.: **29/459,091**

(22) Filed: **Jun. 25, 2013**

(51) **LOC (10) Cl.** **15-05**

(52) **U.S. Cl.**
USPC **D32/21; D32/22**

(58) **Field of Classification Search**
CPC . A47L 7/004; A47L 11/4036; A47L 11/4041;
A47L 7/0023; A47L 7/009; A47L 11/30;
A47L 11/34
USPC D32/21-24, 32-34, 15; 15/353,
15/320-321, 323, 340.2, 412, 339,
15/327.1-327.7
See application file for complete search history.

(56) **References Cited**

U.S. PATENT DOCUMENTS

D318,543 S *	7/1991	Shero	D32/23
D332,330 S *	1/1993	Gurstein	D32/22
D334,258 S *	3/1993	Oberdorfer-Bogel	D32/23
D343,706 S *	1/1994	Gurstein	D32/22
D364,947 S *	12/1995	Kent et al.	D32/22
D377,855 S *	2/1997	Labarbera	D32/22
D380,070 S *	6/1997	Shero	D32/23

D381,779 S *	7/1997	Pritchett et al.	D32/22
5,890,258 A *	4/1999	Lee	15/320
D422,386 S *	4/2000	Jaros et al.	D32/22
D528,254 S *	9/2006	Michael et al.	D32/21
D581,111 S *	11/2008	DiPasquale	D32/21
7,624,474 B1 *	12/2009	Cho	15/320
D655,874 S *	3/2012	Dammkoehler	D32/24
D670,046 S *	10/2012	Theising et al.	D32/22
D684,737 S *	6/2013	Wolfe et al.	D32/21
2002/0116783 A1 *	8/2002	Giddings et al.	15/321
2007/0044269 A1 *	3/2007	Day	15/321
2013/0061422 A1 *	3/2013	Black et al.	15/414

* cited by examiner

Primary Examiner — Ruth McInroy

(74) *Attorney, Agent, or Firm* — The Adams Law Firm

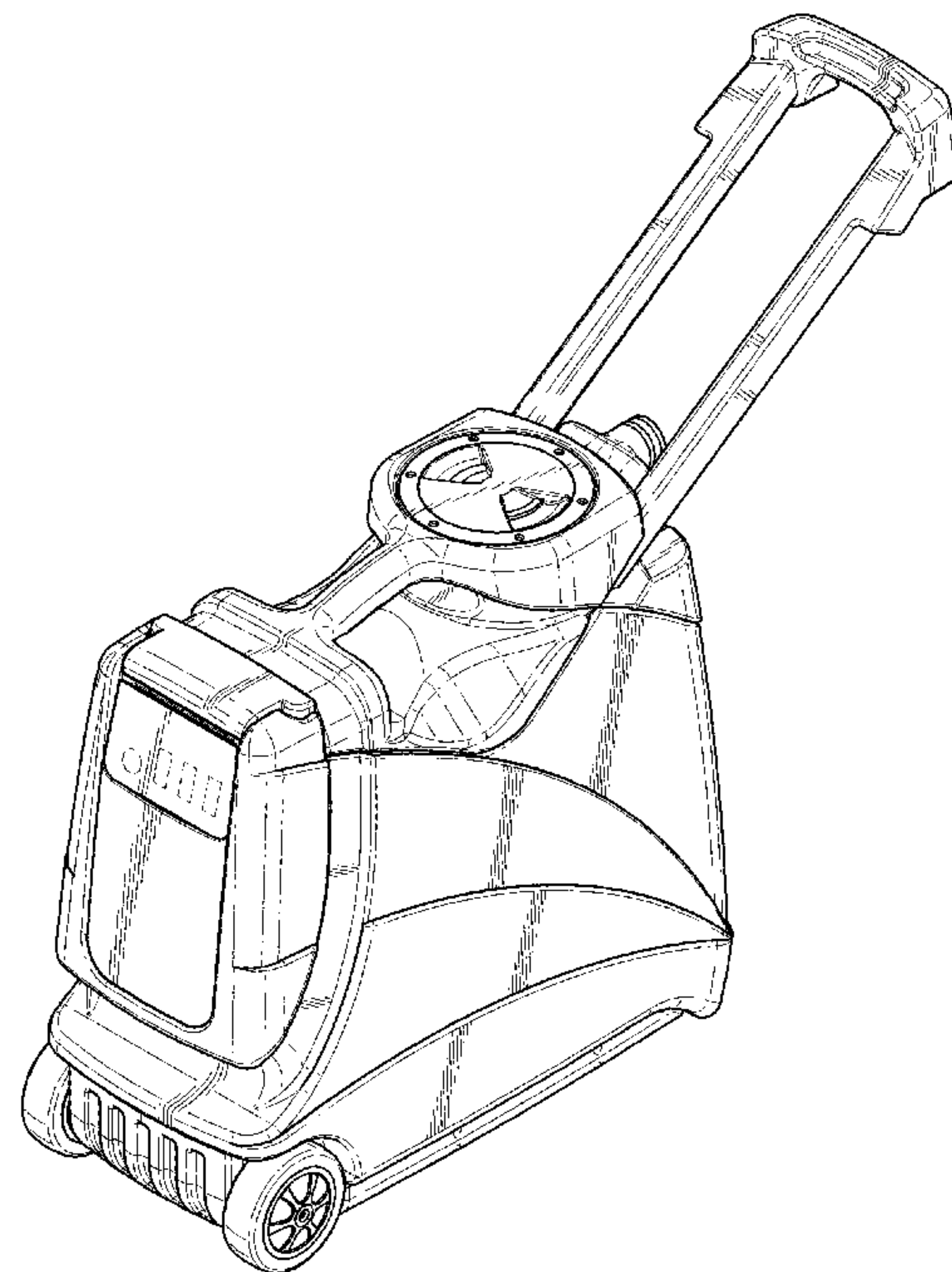
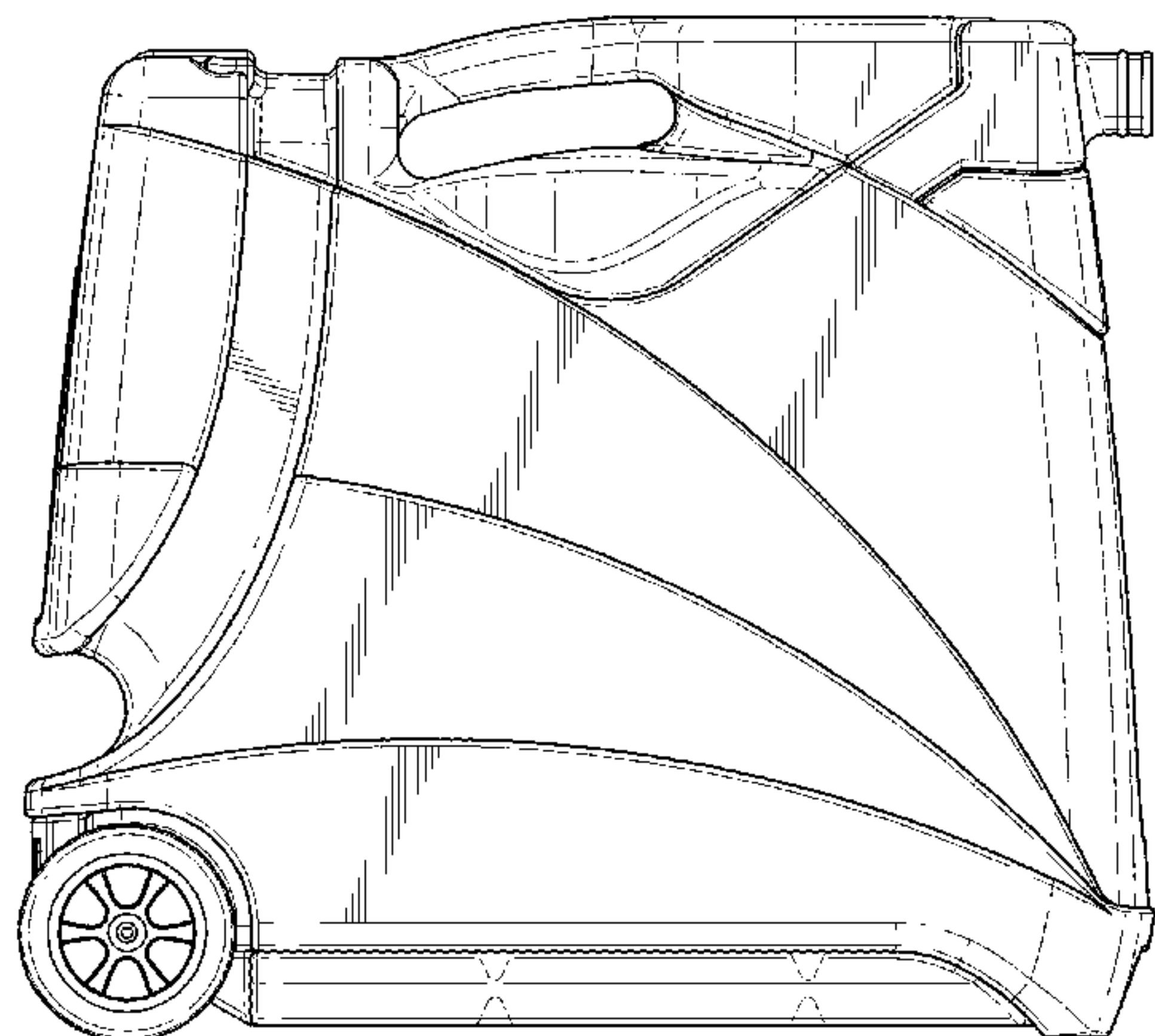
(57) **CLAIM**

The ornamental design for a carpet cleaning spotter, as shown and described.

DESCRIPTION

FIG. 1 is a perspective view of a carpet cleaning spotter showing my new design;
FIG. 2 is a left-side elevation view thereof;
FIG. 3 is a front elevation view thereof;
FIG. 4 is a right-side elevation view thereof;
FIG. 5 is a rear elevation view thereof;
FIG. 6 is a top plan view thereof;
FIG. 7 is a bottom plan view thereof; and,
FIG. 8 is a perspective view of the carpet cleaning spotter shown in FIG. 1 with the handle extended.
The details shown in broken lines form no part of the claimed design.

1 Claim, 8 Drawing Sheets



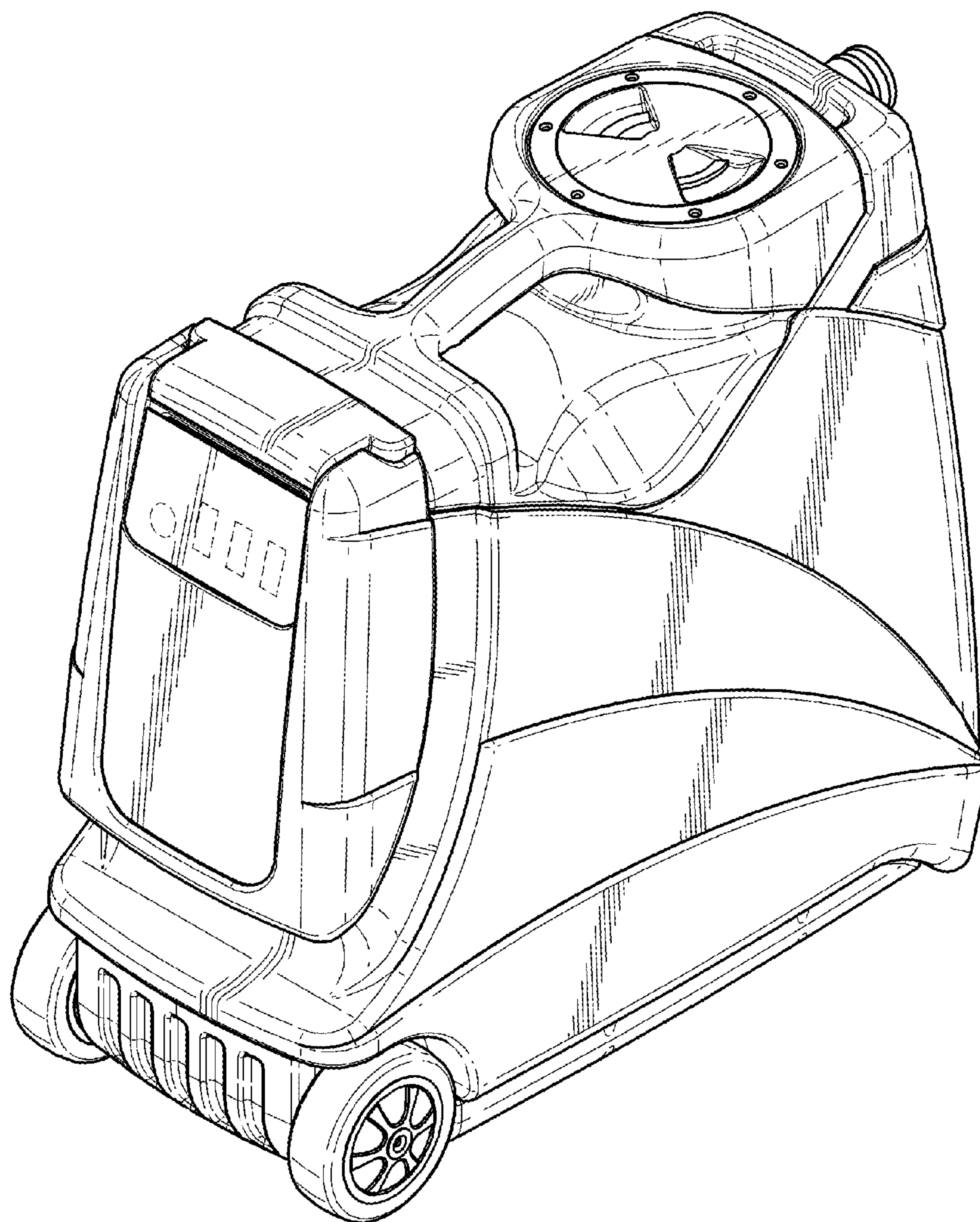


FIG. 1

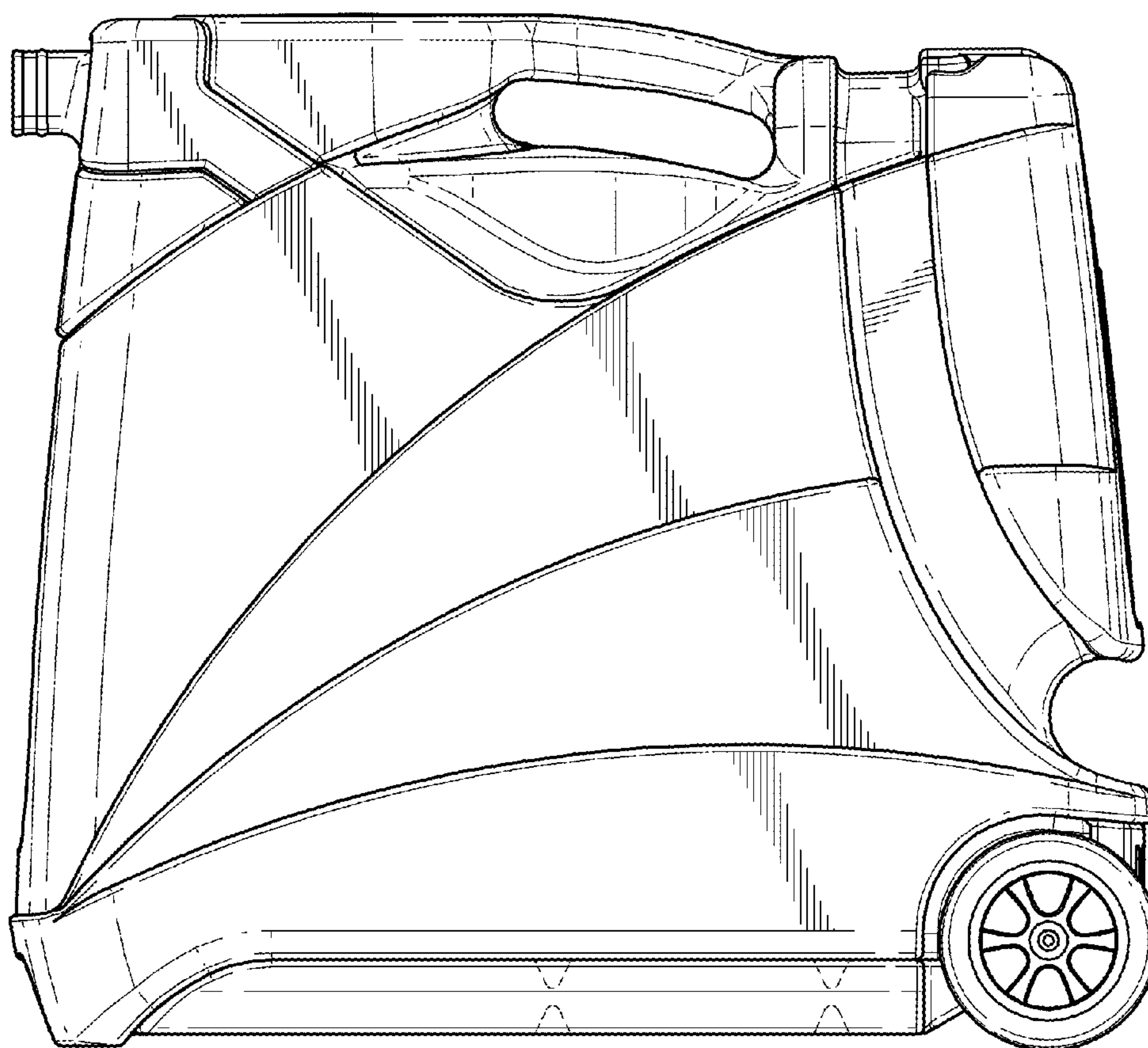


FIG. 2

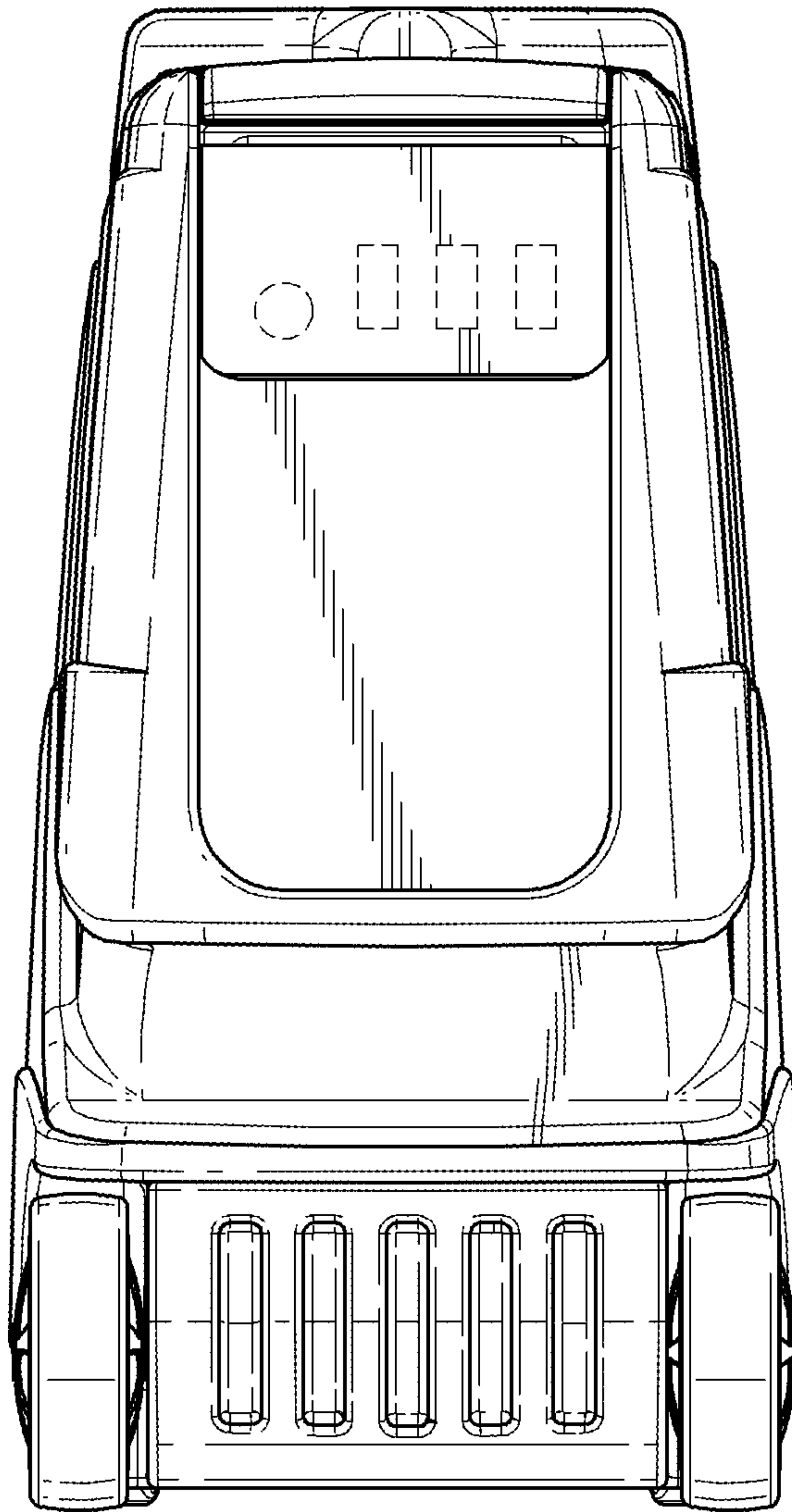


FIG. 3

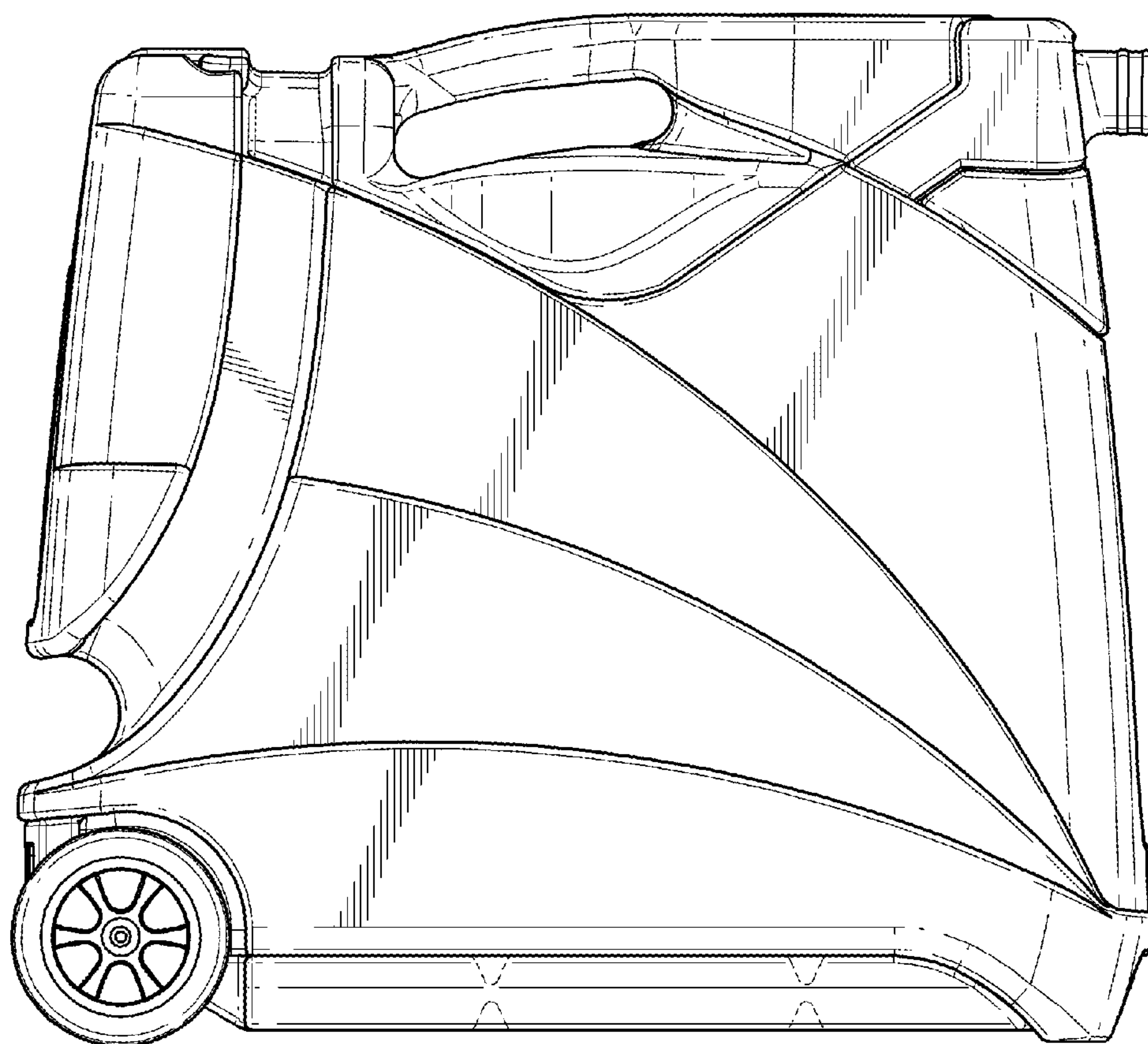


FIG. 4

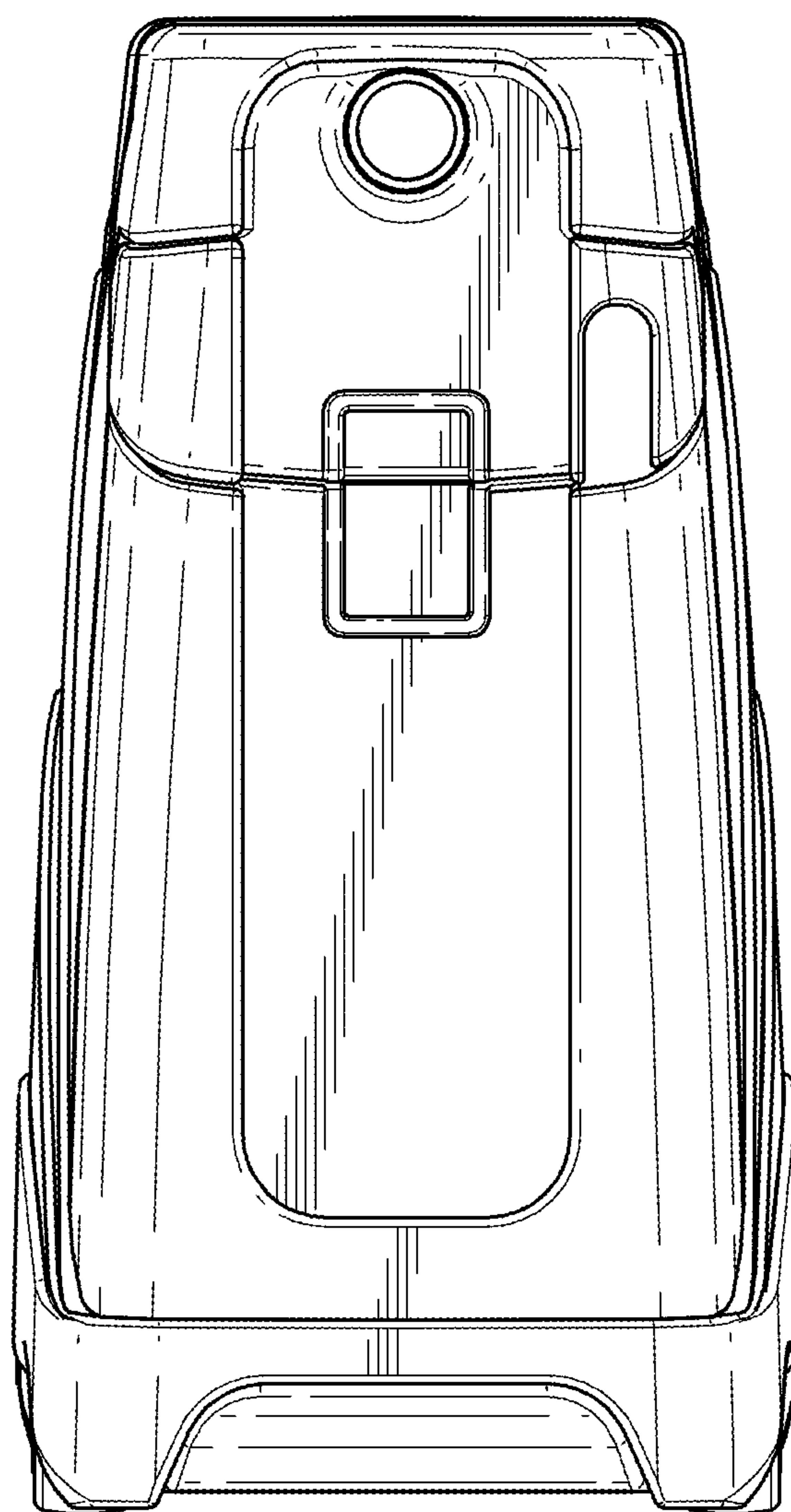


FIG. 5

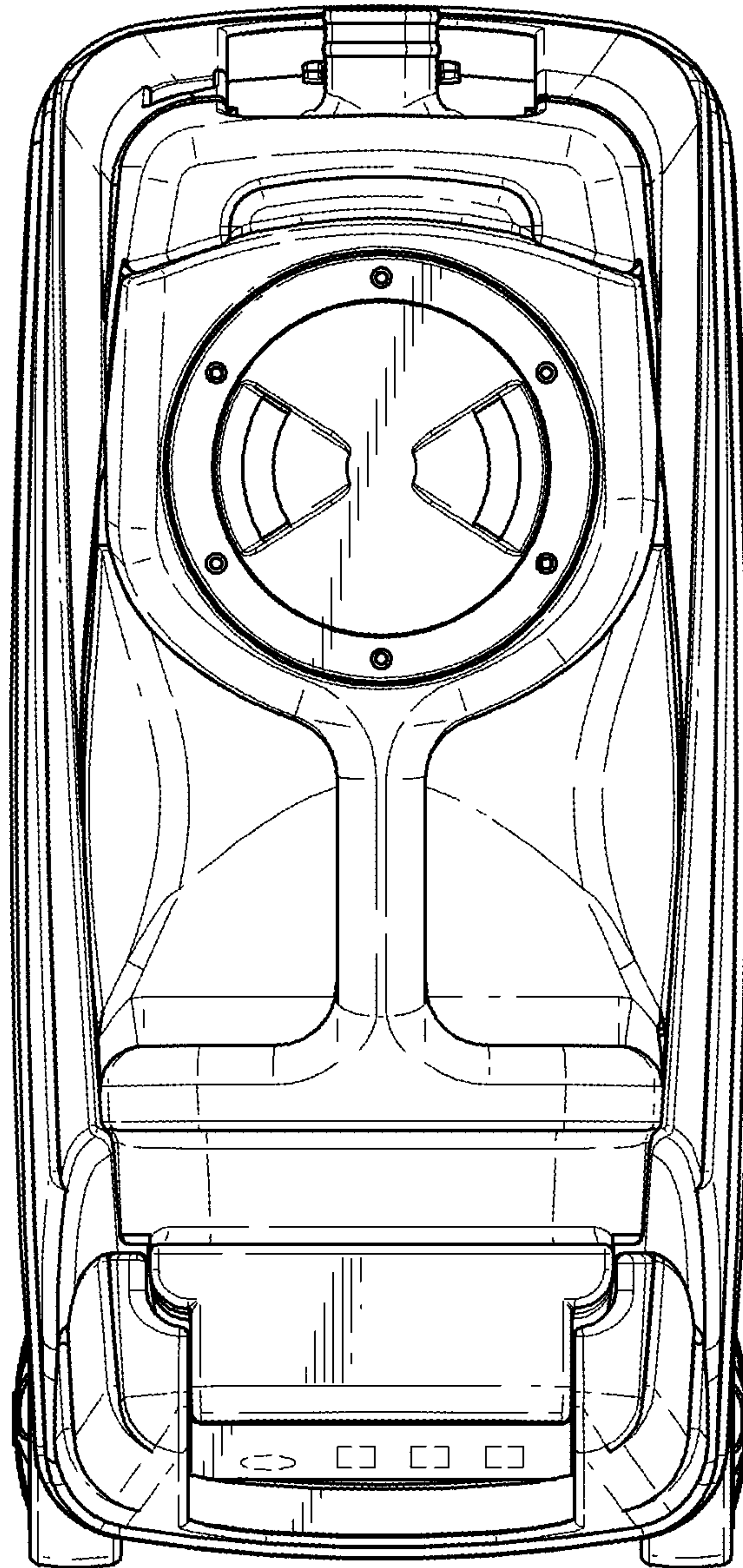


FIG. 6

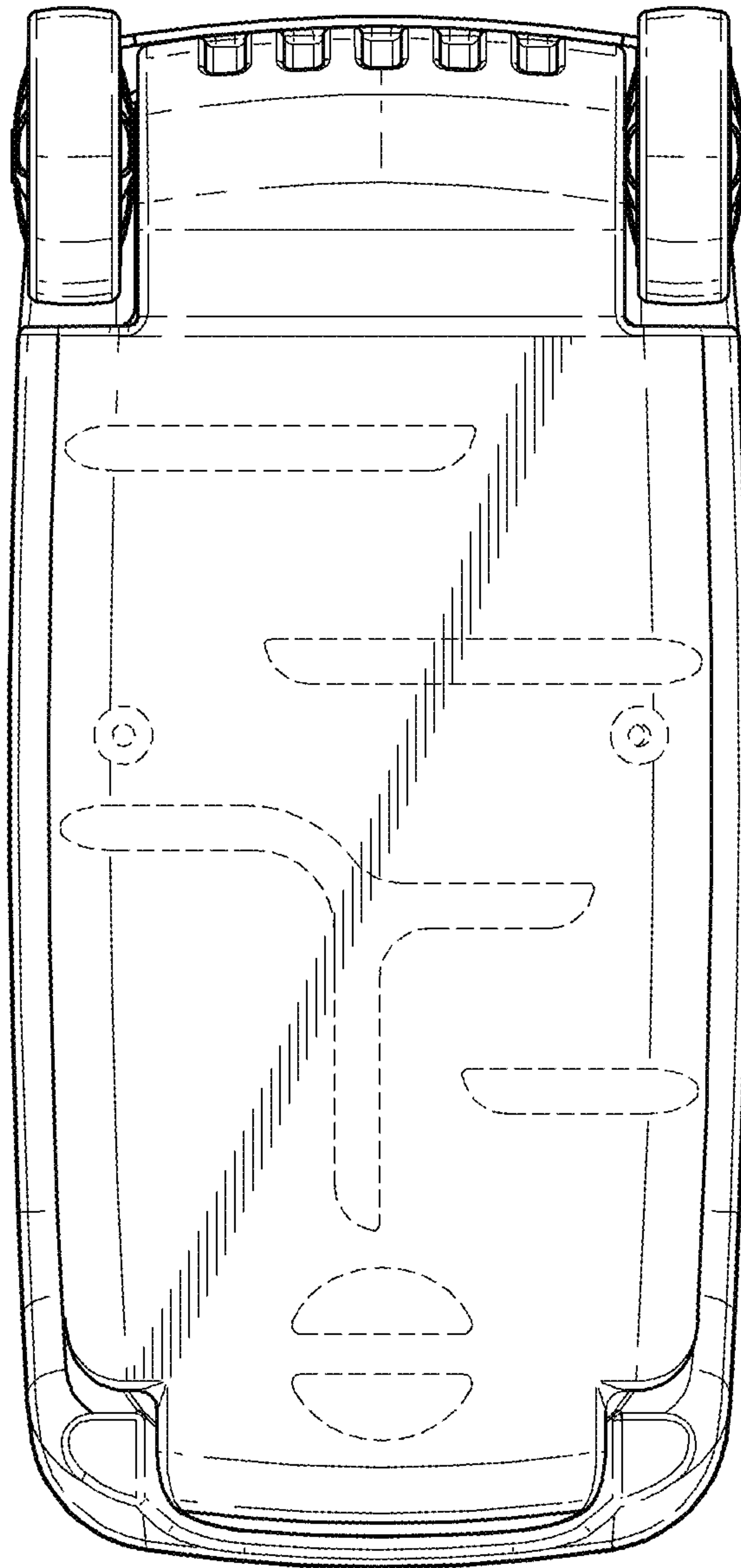


FIG. 7

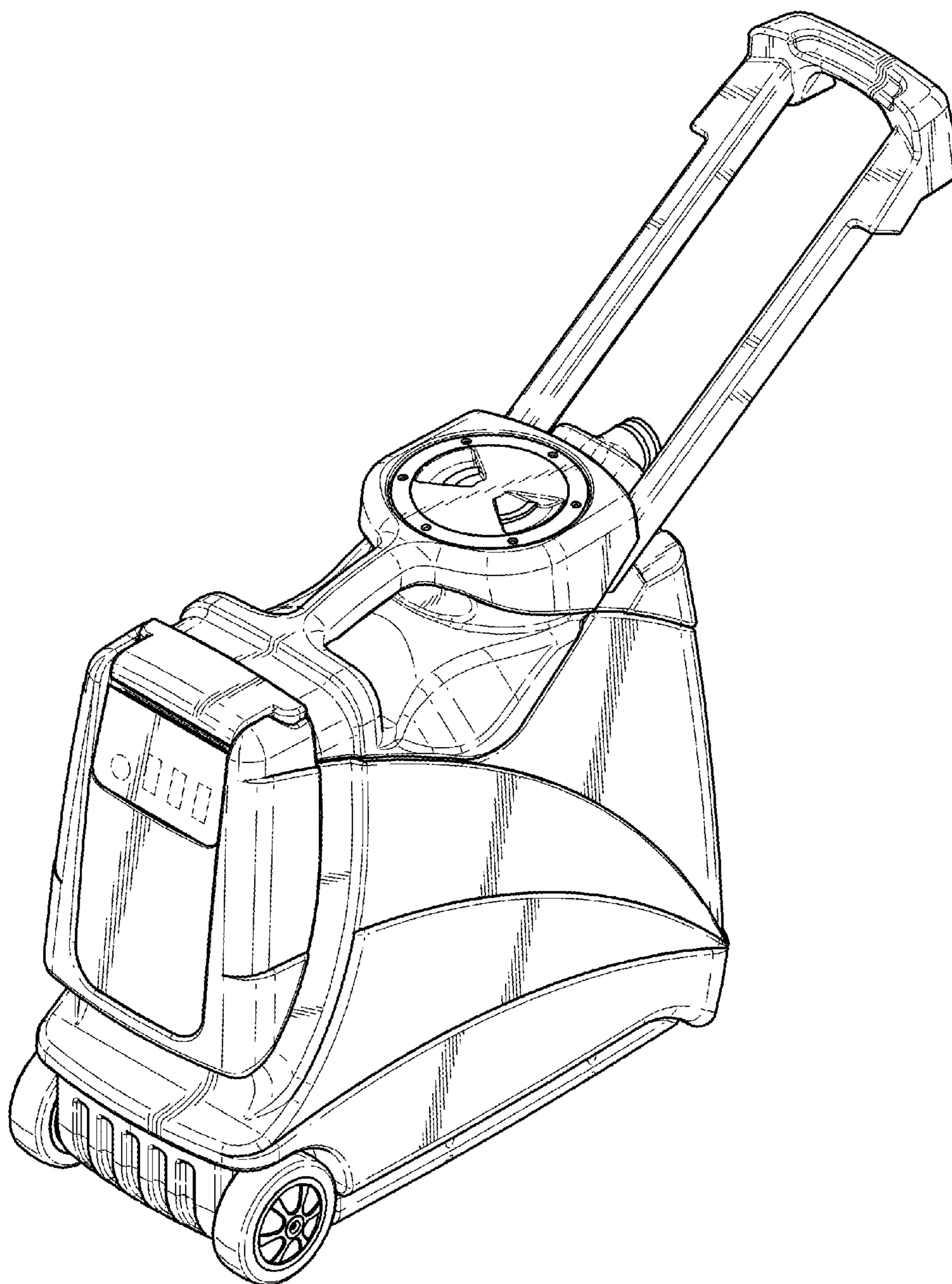


FIG. 8