



US00D709253S

(12) **United States Design Patent**  
**Lim et al.**

(10) **Patent No.:** **US D709,253 S**  
(45) **Date of Patent:** **\*\* Jul. 15, 2014**

(54) **VACUUM CLEANER**

(71) Applicant: **Samsung Electronics Co., Ltd.**,  
Gyeonggi-do (KR)  
(72) Inventors: **Eunsun Lim**, Seoul (KR); **Dongwon Chun**, Paju-si (KR); **Yeon-Young Nam**, Goyang-si (KR)  
(73) Assignee: **Samsung Electronics Co., Ltd.**, Suwon-si (KR)

(\*\*) Term: **14 Years**

(21) Appl. No.: **29/441,848**

(22) Filed: **Jan. 10, 2013**

(30) **Foreign Application Priority Data**

Aug. 28, 2012 (KR) ..... 30-2012-0041312

(51) **LOC (10) Cl.** ..... **15-05**

(52) **U.S. Cl.**  
USPC ..... **D32/21**

(58) **Field of Classification Search**  
USPC ..... D32/21, 23, 24, 30, 31; 55/378, 337, 55/447, 345, DIG. 3, 349, 429, 459.1, 395; 15/327.1, 327.2, 327.4, 327.6, 327.7, 15/347, 353, 337, 411

See application file for complete search history.

(56) **References Cited**

U.S. PATENT DOCUMENTS

D445,226	S	*	7/2001	Jupp	.....	D32/21
D518,611	S	*	4/2006	Hare	.....	D32/21
D556,962	S	*	12/2007	Choi et al.	.....	D32/21
D557,469	S	*	12/2007	Choi et al.	.....	D32/21
D594,162	S	*	6/2009	Knox et al.	.....	D32/21
D594,609	S	*	6/2009	Dyson et al.	.....	D32/21
7,867,307	B2	*	1/2011	Bates et al.	.....	55/343
D646,030	S	*	9/2011	Carr et al.	.....	D32/21
2006/0213023	A1	*	9/2006	Hare et al.	.....	15/327.2

\* cited by examiner

*Primary Examiner* — Ruth McInroy

(74) *Attorney, Agent, or Firm* — Ladas & Parry LLP

(57) **CLAIM**

We claim the ornamental design for a vacuum cleaner, as shown and described.

**DESCRIPTION**

FIG. 1 is a front/right-side/top perspective view of a vacuum cleaner showing our new design; FIG. 2 is a front elevational view thereof; FIG. 3 is a rear elevational view thereof; FIG. 4 is a left-side elevational view thereof; FIG. 5 is a right-side elevational view thereof; and, FIG. 6 is a top plan view thereof.

**1 Claim, 6 Drawing Sheets**

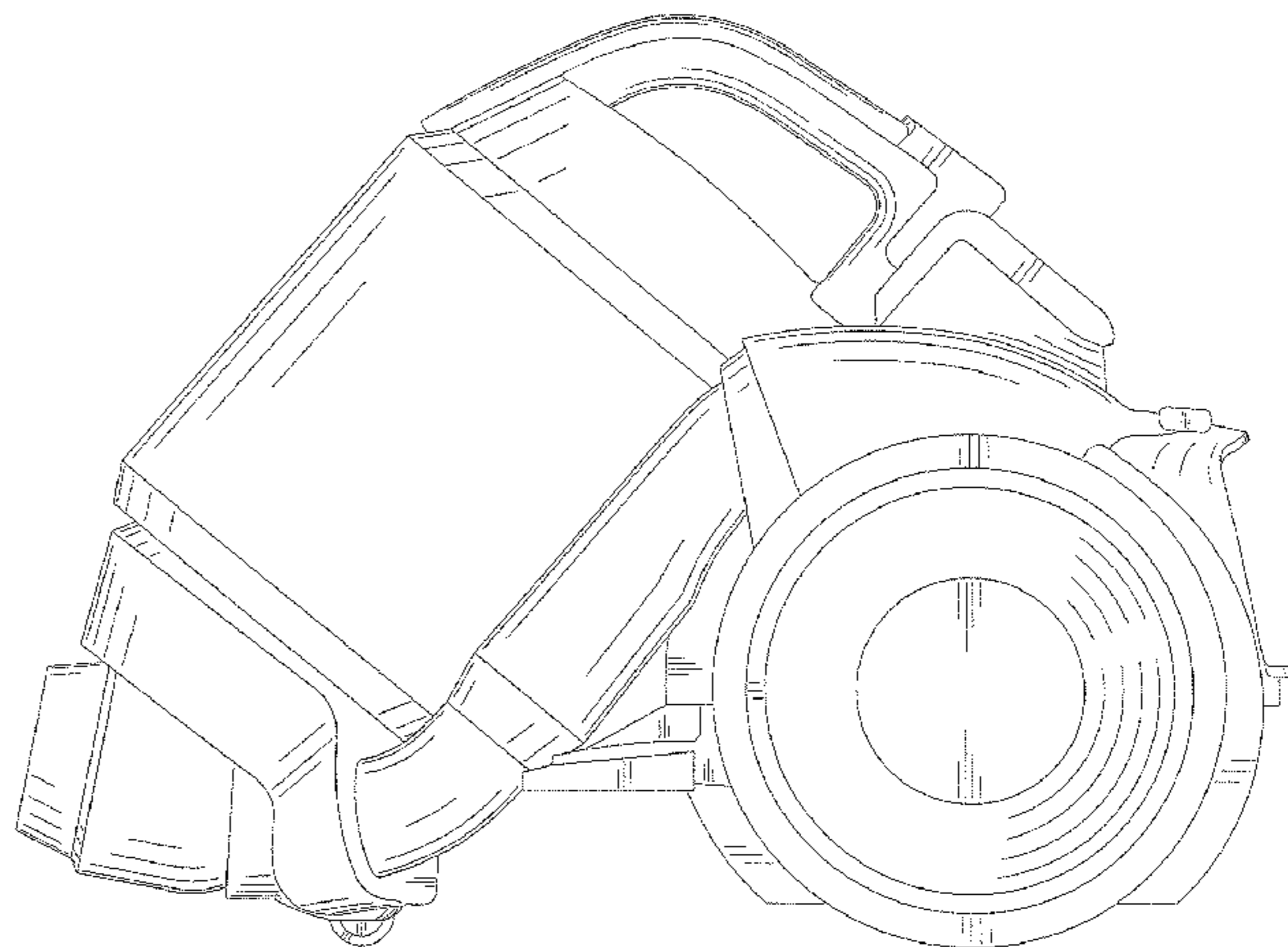
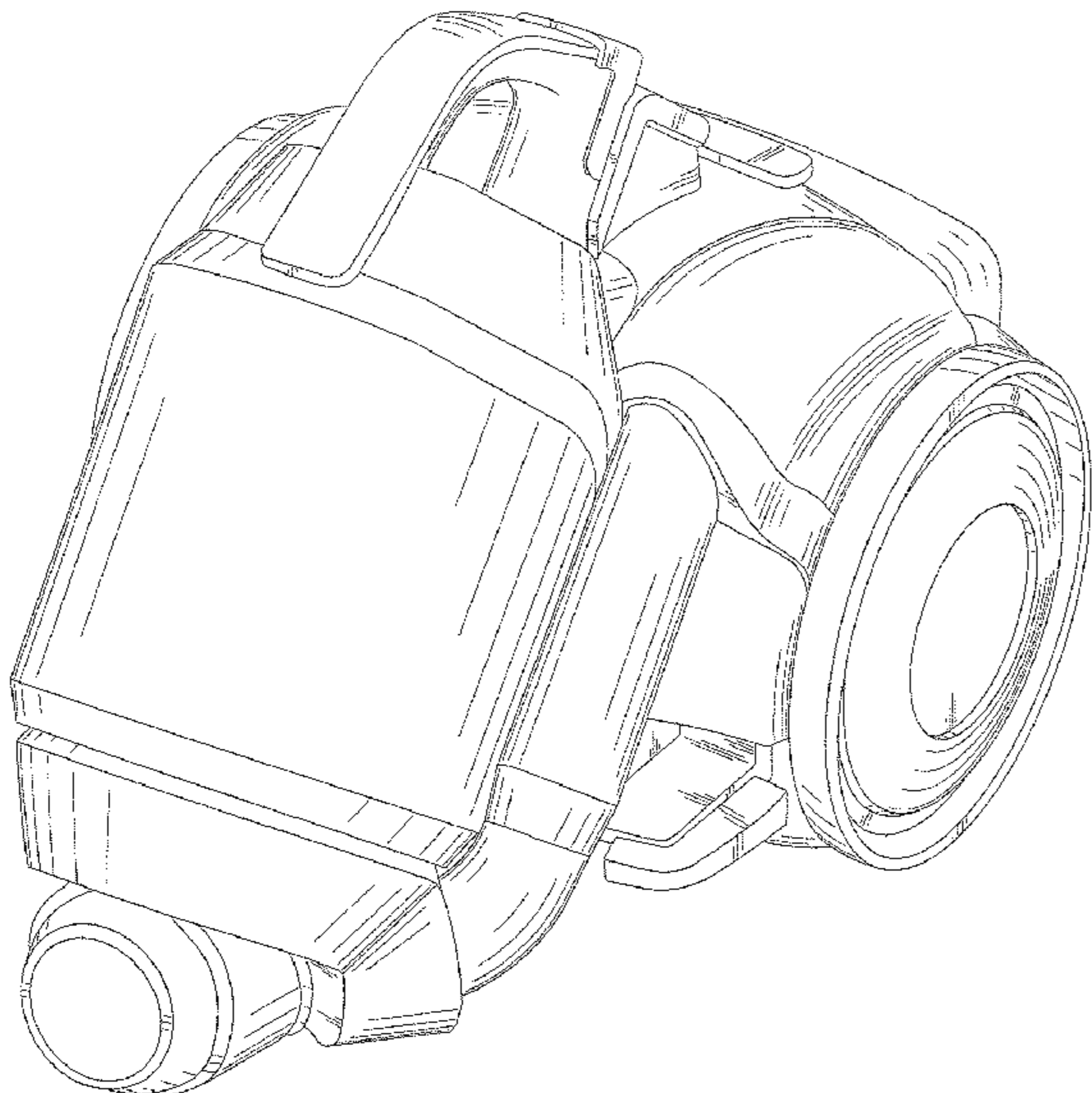


Fig. 1

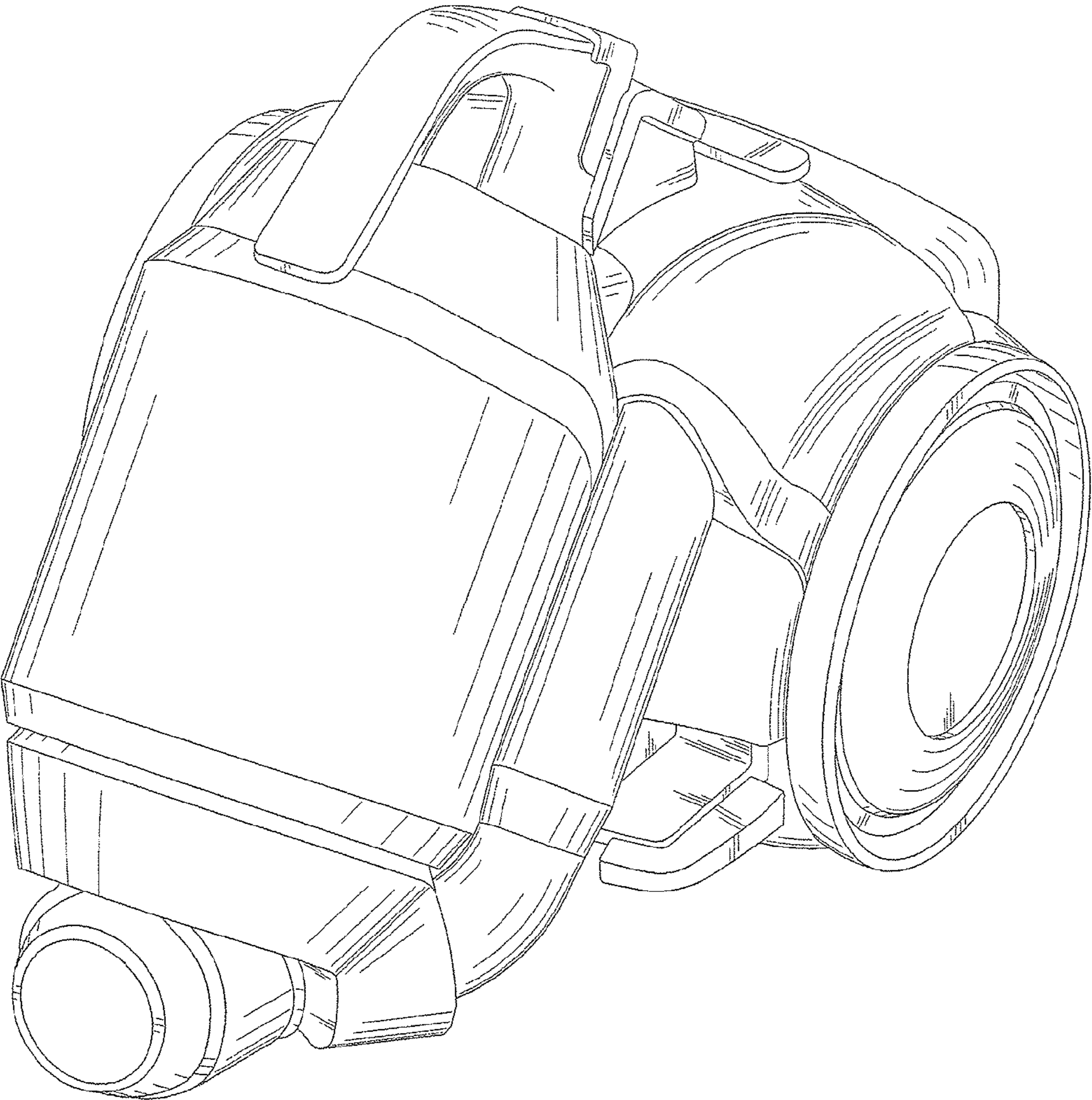


Fig. 2

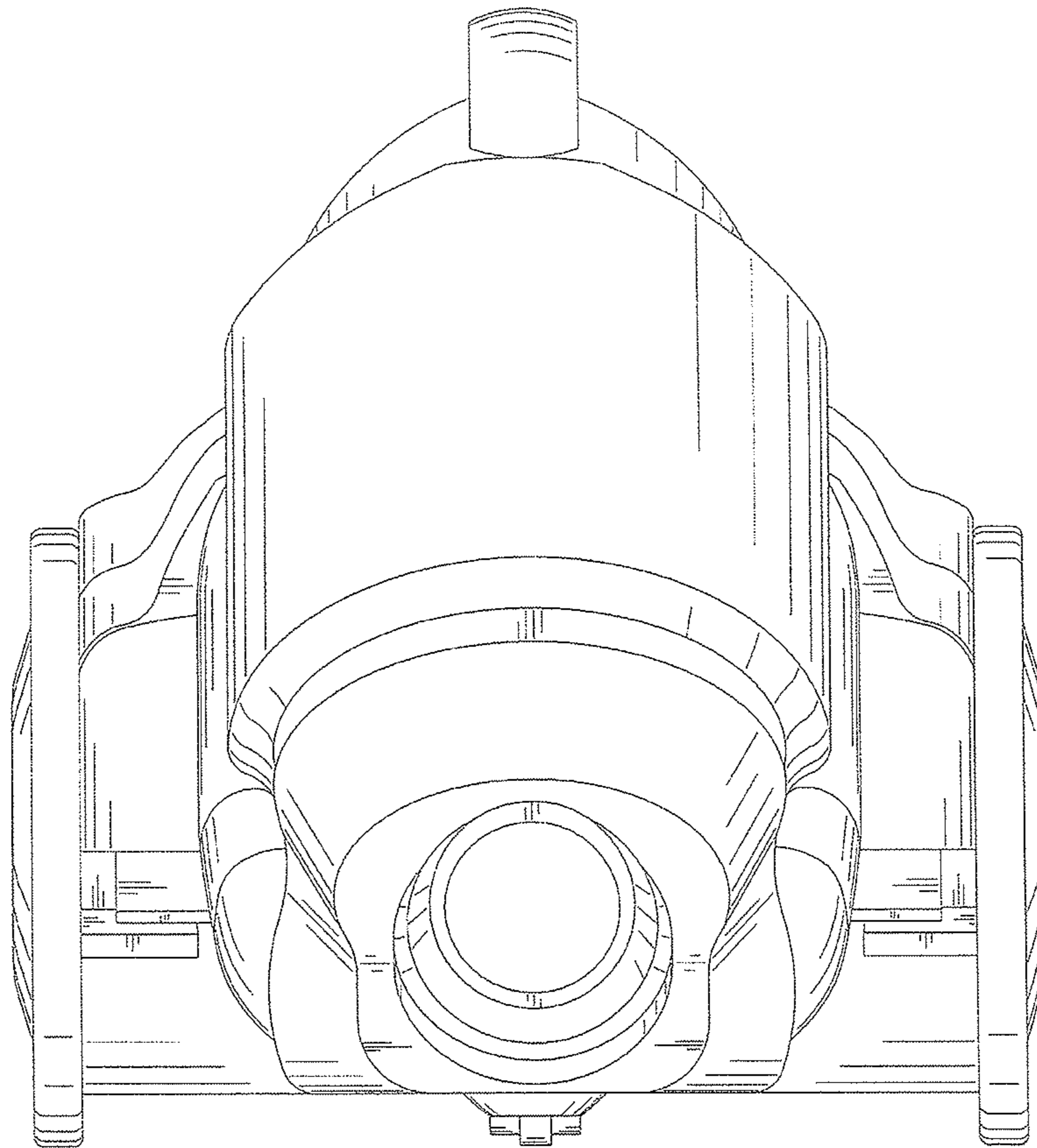


Fig. 3

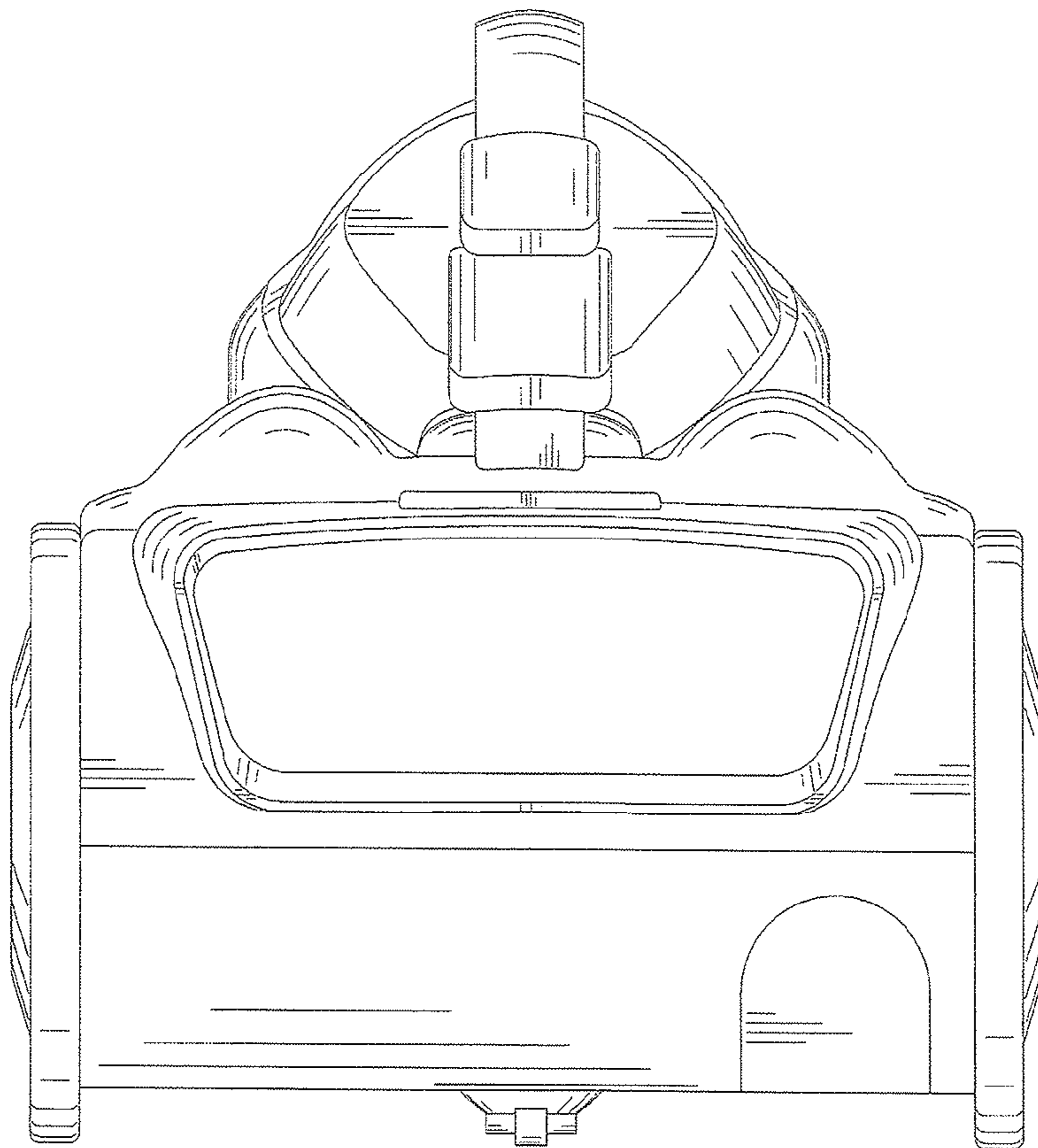




Fig. 4

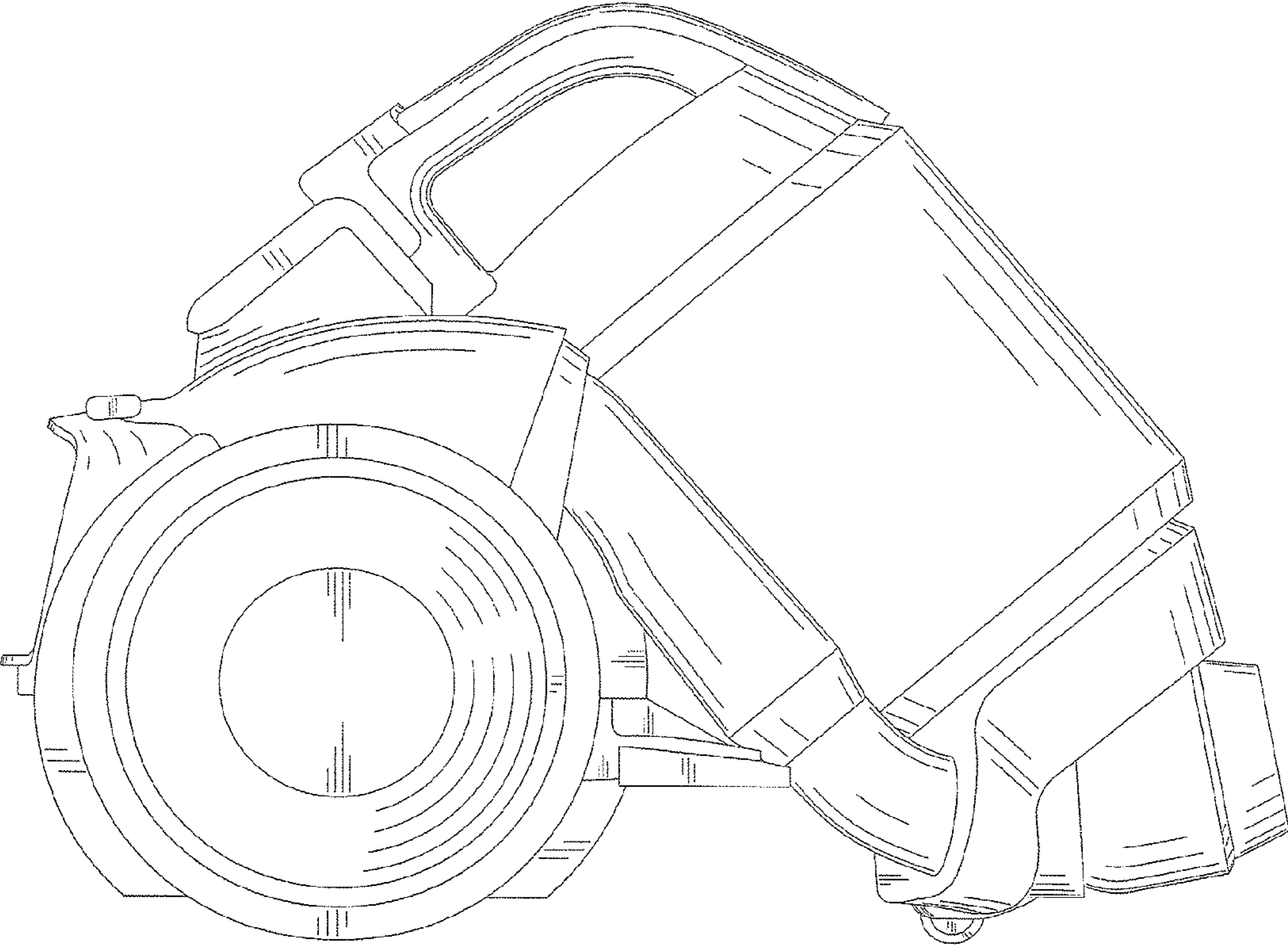


Fig. 5

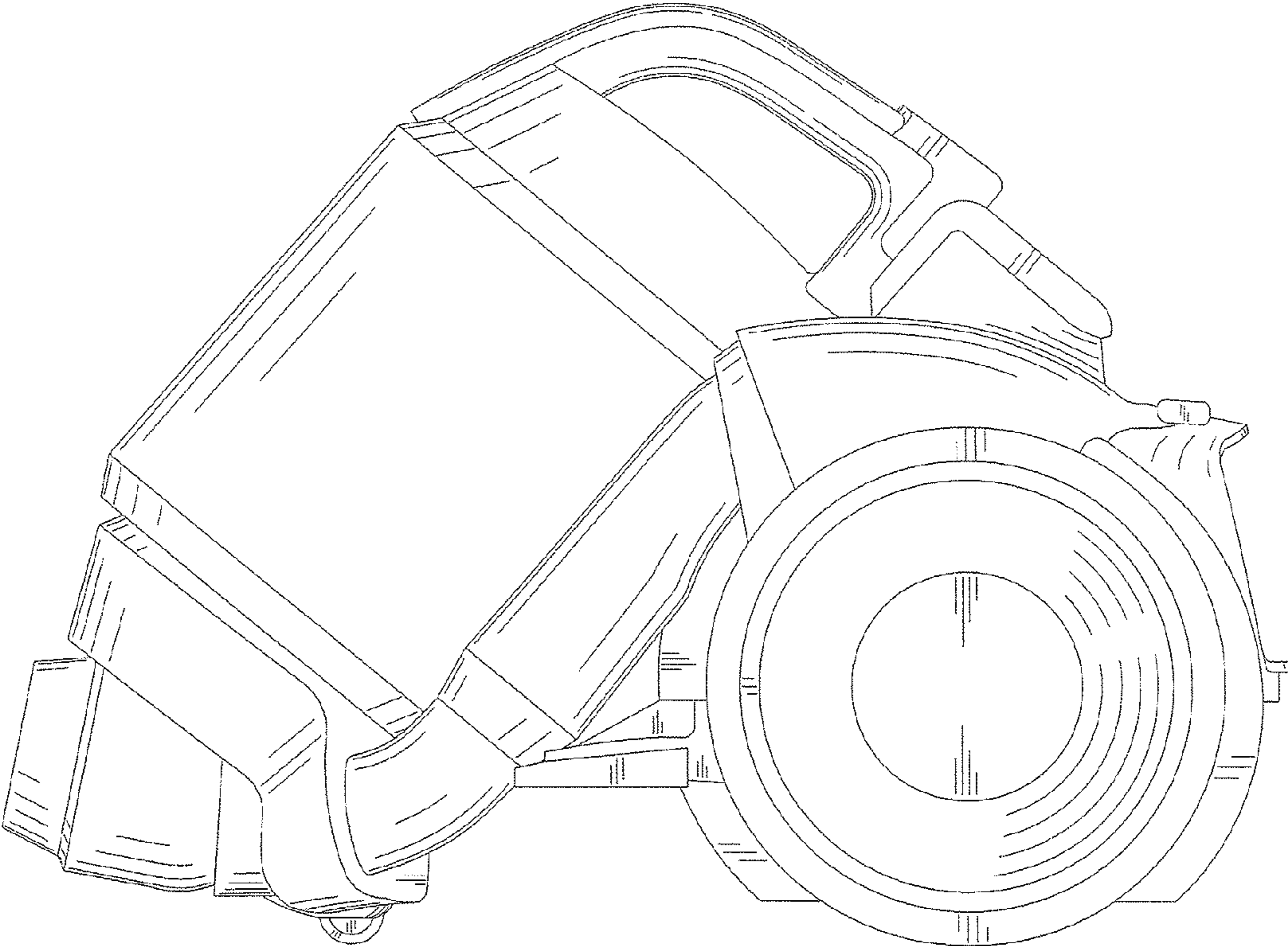


Fig. 6

