



US00D709251S

(12) **United States Design Patent**  
**Lee**

(10) **Patent No.:** **US D709,251 S**  
(45) **Date of Patent:** **\*\* Jul. 15, 2014**

- (54) **SET OF HAMSTER WHEELS**
- (71) Applicant: **Ying Lee**, Arcadia, CA (US)
- (72) Inventor: **Ying Lee**, Arcadia, CA (US)
- (\*\*) Term: **14 Years**
- (21) Appl. No.: **29/454,827**
- (22) Filed: **May 14, 2013**
- (51) **LOC (10) Cl.** ..... **30-99**
- (52) **U.S. Cl.**  
USPC ..... **D30/160**
- (58) **Field of Classification Search**  
USPC ..... D30/160, 108, 119; 119/702, 706-711,  
119/421, 452, 455, 467, 472, 474, 500  
See application file for complete search history.

5,664,524	A *	9/1997	Piglia et al.	119/452
5,664,525	A	9/1997	Phillips	
D389,610	S	1/1998	Krause	
5,722,348	A *	3/1998	Phillips et al.	119/452
5,799,611	A *	9/1998	Park	119/702
6,062,171	A *	5/2000	Tominaga	119/455
6,067,939	A	5/2000	Tominaga	
D430,708	S	9/2000	Lau	
6,223,690	B1 *	5/2001	Park	119/702
D443,956	S *	6/2001	Rudnick	D30/108
6,412,443	B1 *	7/2002	Miller	119/704
D566,147	S	4/2008	Chan	
D584,457	S *	1/2009	Plante	D30/108
7,509,924	B2 *	3/2009	Luo	119/452
8,360,007	B2 *	1/2013	Woltmann et al.	119/702
8,397,678	B2 *	3/2013	Willinger et al.	119/707

\* cited by examiner

*Primary Examiner* — Cathy A MacCormac  
(74) *Attorney, Agent, or Firm* — QuickPatents; Kevin Prince

(56) **References Cited**  
U.S. PATENT DOCUMENTS

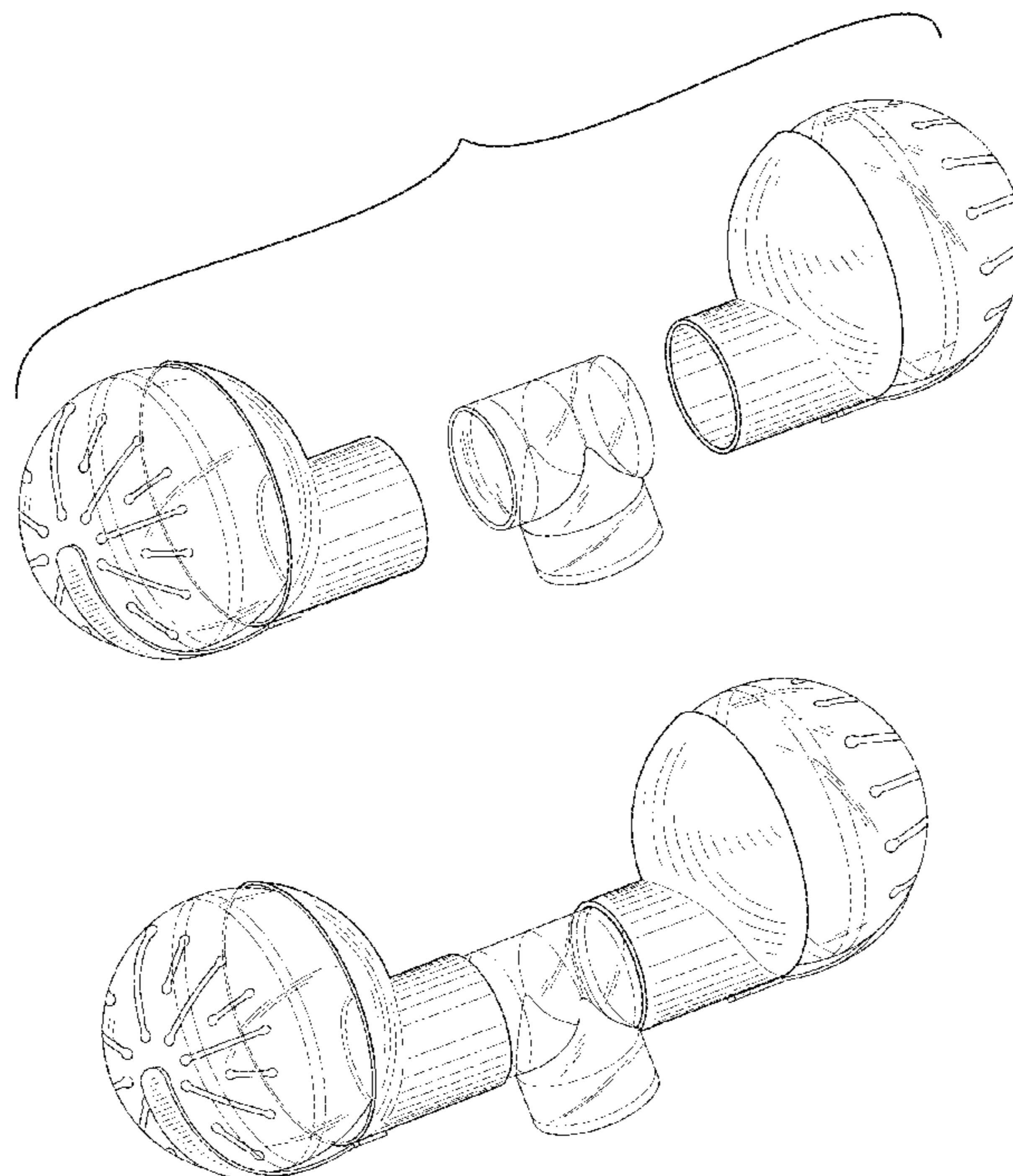
3,687,110	A *	8/1972	Braunhut	119/421
3,742,908	A *	7/1973	Merino	119/455
3,785,347	A *	1/1974	Dinnerstein	119/700
D231,367	S *	4/1974	Willinger et al.	D30/108
D232,036	S	7/1974	Willinger	
3,859,961	A *	1/1975	Willinger et al.	119/416
D235,111	S	5/1975	Lovitz	
3,933,126	A *	1/1976	Gordon	119/700
3,958,534	A *	5/1976	Perkins et al.	119/455
D240,307	S *	6/1976	Suchowski et al.	D30/160
3,994,262	A	11/1976	Suchowski	
D244,474	S *	5/1977	Yamazaki	D30/160
D265,139	S	6/1982	Salvato	
5,186,122	A *	2/1993	Phillips et al.	119/474
D347,913	S *	6/1994	Wellington et al.	D30/108
5,357,905	A *	10/1994	Gordon	119/708

(57) **CLAIM**  
I claim the ornamental design for a set of hamster wheels, as shown and described.

**DESCRIPTION**

FIG. 1 is an exploded perspective view of a set of hamster wheels, showing my new design;  
FIG. 2 is a perspective view thereof;  
FIG. 3 is a front elevational view thereof, the rear elevational view being a mirror image thereof;  
FIG. 4 is a left-side elevational view thereof, the right-side elevational view being a mirror image thereof;  
FIG. 5 is a top plan view thereof; and,  
FIG. 6 is a bottom plan view thereof.

**1 Claim, 3 Drawing Sheets**



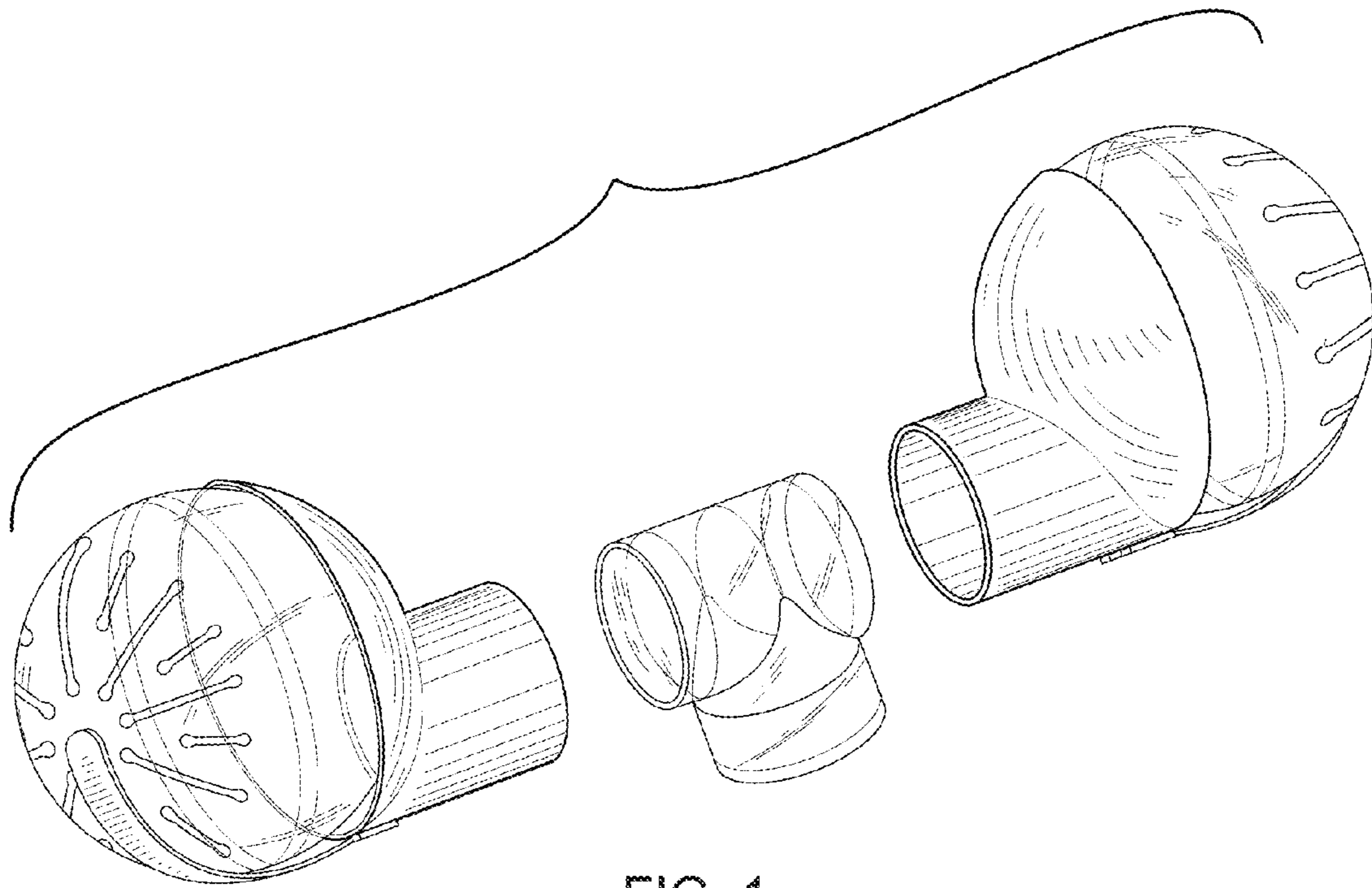


FIG. 1

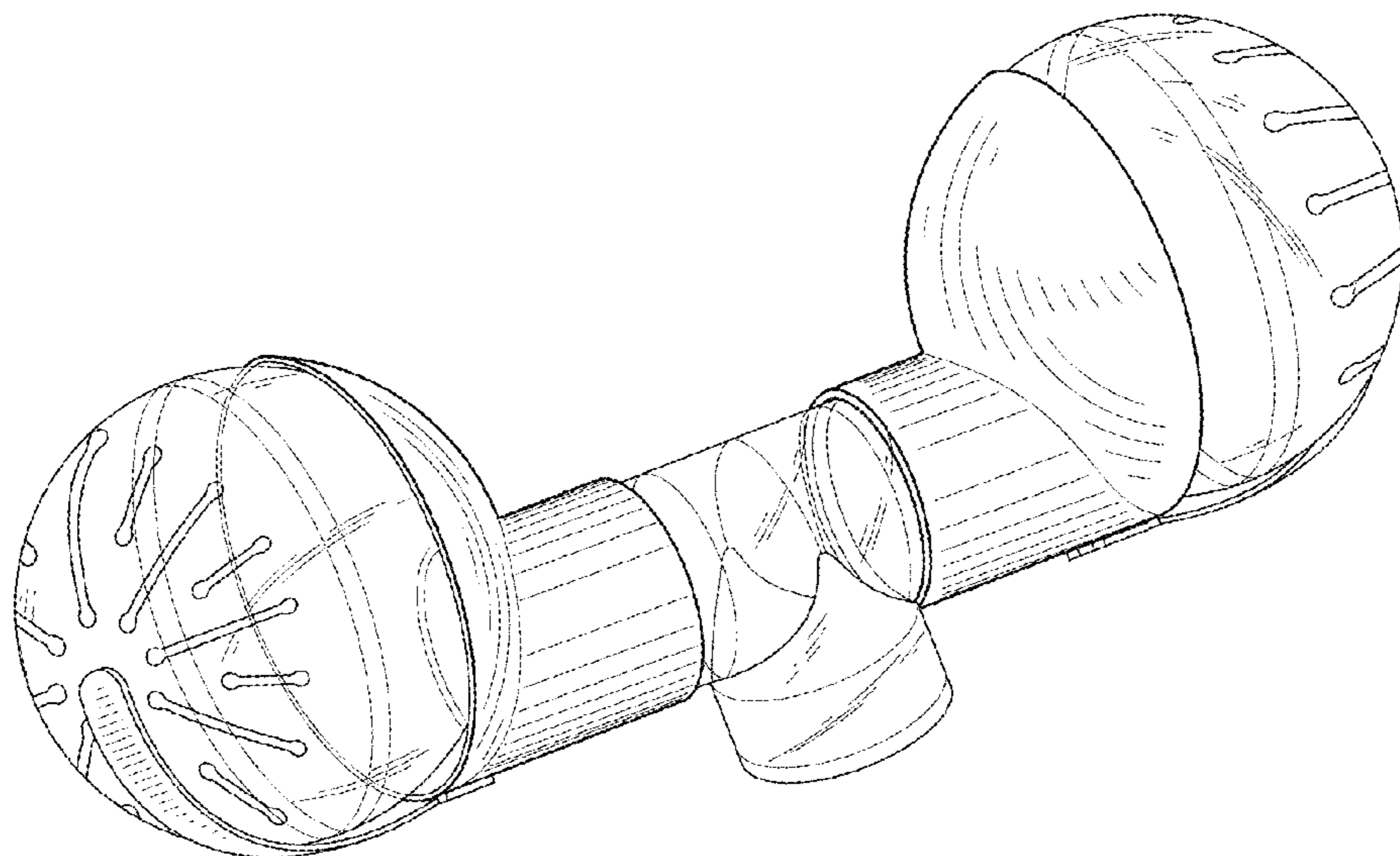


FIG. 2

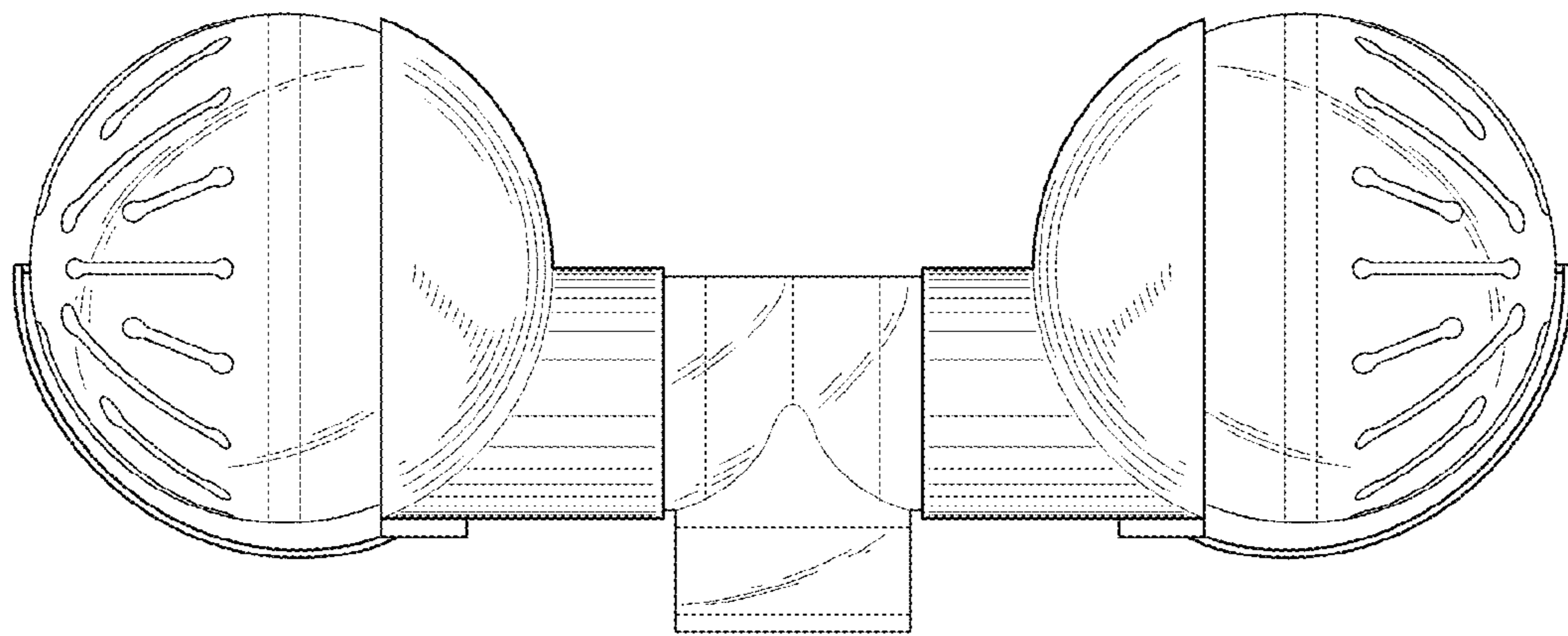


FIG. 3

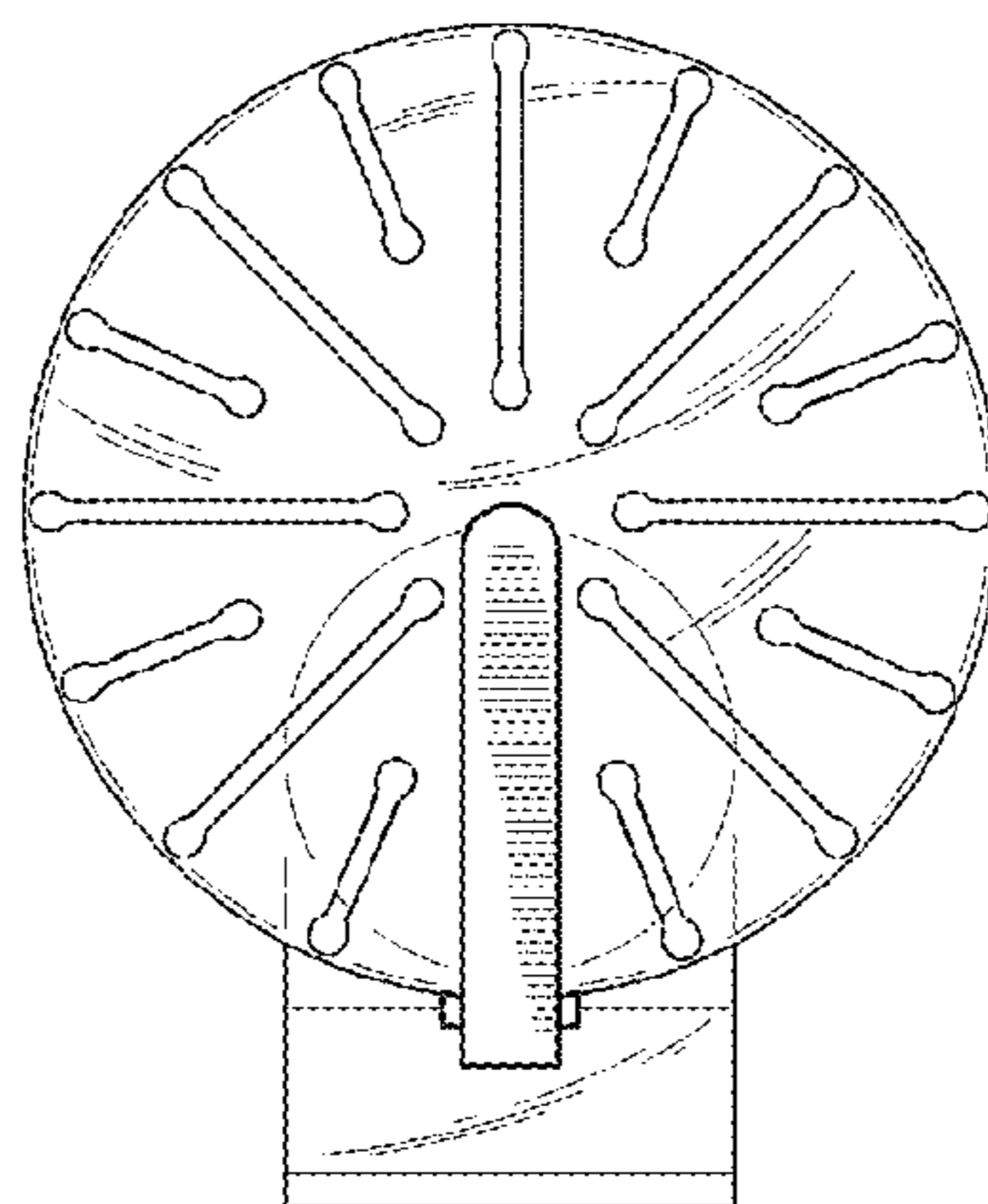


FIG. 4

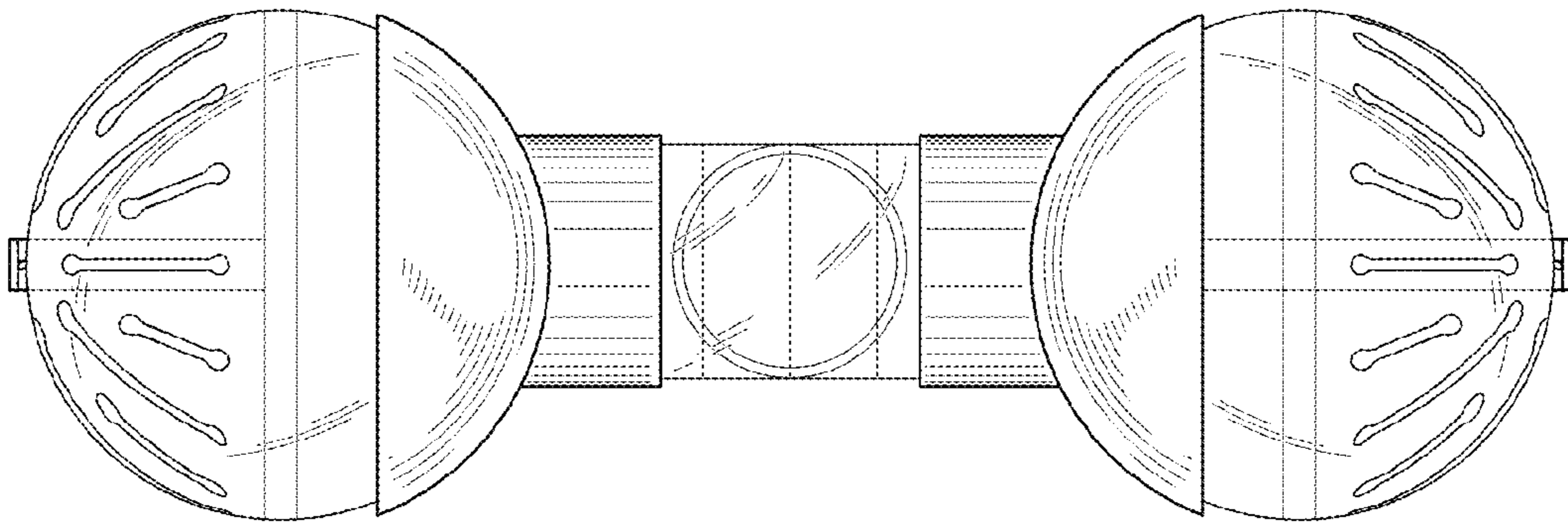


FIG. 5

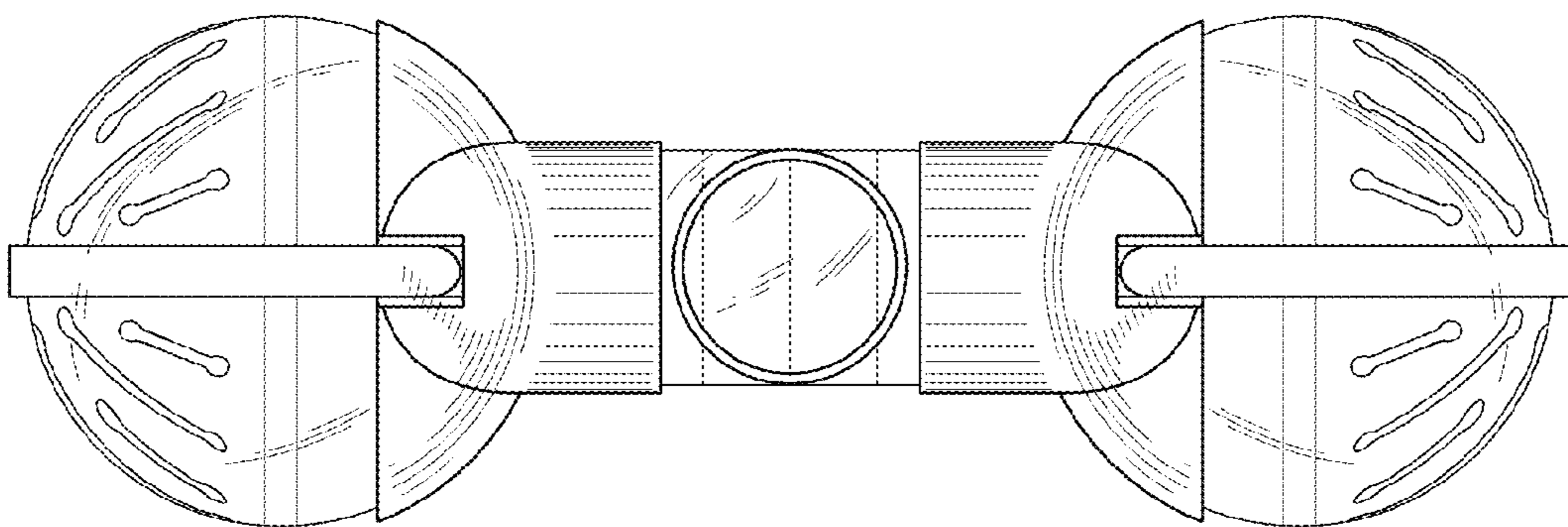


FIG. 6