

US00D709249S

(12) **United States Design Patent**
Van Dyk et al.

(10) **Patent No.:** **US D709,249 S**
(45) **Date of Patent:** **** Jul. 15, 2014**

(54) **NUTRIENT DISPENSER FOR BIRDS**

(75) Inventors: **Thomas Van Dyk**, Ramsey, NJ (US);
Daehwan Kim, New York, NY (US)

(73) Assignee: **Central Garden & Pet Company**,
Walnut Creek, CA (US)

(**) Term: **14 Years**

(21) Appl. No.: **29/422,227**

(22) Filed: **May 17, 2012**

(51) **LOC (10) Cl.** **30-03**

(52) **U.S. Cl.**

USPC **D30/127**; D30/128

(58) **Field of Classification Search**

USPC D30/121, 124, 126–129, 133, 199,
D30/110–112, 123, 125; 119/52.2, 51.5,
119/61.5, 57.8, 57.9, 52.3, 61.1, 531, 63,
119/428–435, 52.4, 55, 61.3, 69.5, 75, 76;
47/67, 83; 248/318; D11/164, 152;
211/128.1; D27/123; D6/495, 460,
D6/461, 476, 405

See application file for complete search history.

(56) **References Cited**

U.S. PATENT DOCUMENTS

D174,139 S 3/1955 Sadler
D193,558 S * 9/1962 Parry D30/127

(Continued)

FOREIGN PATENT DOCUMENTS

GB 2 268 869 1/1994

Primary Examiner — Susan Moon Lee

(74) *Attorney, Agent, or Firm* — Womble Carlyle Sand-
ridge & Rice, LLP

(57) **CLAIM**

The ornamental design for a nutrient dispenser for birds, as shown and described.

DESCRIPTION

FIG. 1 is a front, top perspective view of a nutrient dispenser for birds in a first configuration, in accordance with the present invention, wherein a rear, top perspective view of the nutrient dispenser in the first configuration is a mirror image of FIG. 1;

FIG. 2 is a front, bottom perspective view of the nutrient dispenser in the first configuration, wherein a rear, bottom perspective view of the nutrient dispenser in the first configuration is a mirror image of FIG. 2;

FIG. 3 is a front elevation view of the nutrient dispenser in the first configuration, wherein a rear elevation view of the nutrient dispenser in the first configuration is a mirror image of FIG. 3;

FIG. 4 is a right elevation view of the nutrient dispenser in the first configuration, wherein a left elevation view of the nutrient dispenser in the first configuration is a mirror image of FIG. 4;

FIG. 5 is a top plan view of the nutrient dispenser in the first configuration;

FIG. 6 is a bottom plan view of the nutrient dispenser in the first configuration;

FIG. 7 is a front, top perspective view of the nutrient dispenser in a second configuration, wherein a rear, top perspective view of the nutrient dispenser in the second configuration is a mirror image of FIG. 7;

FIG. 8 is a front, bottom perspective view of the nutrient dispenser in the second configuration, wherein a rear, bottom perspective view of the nutrient dispenser in the second configuration is a mirror image of FIG. 8;

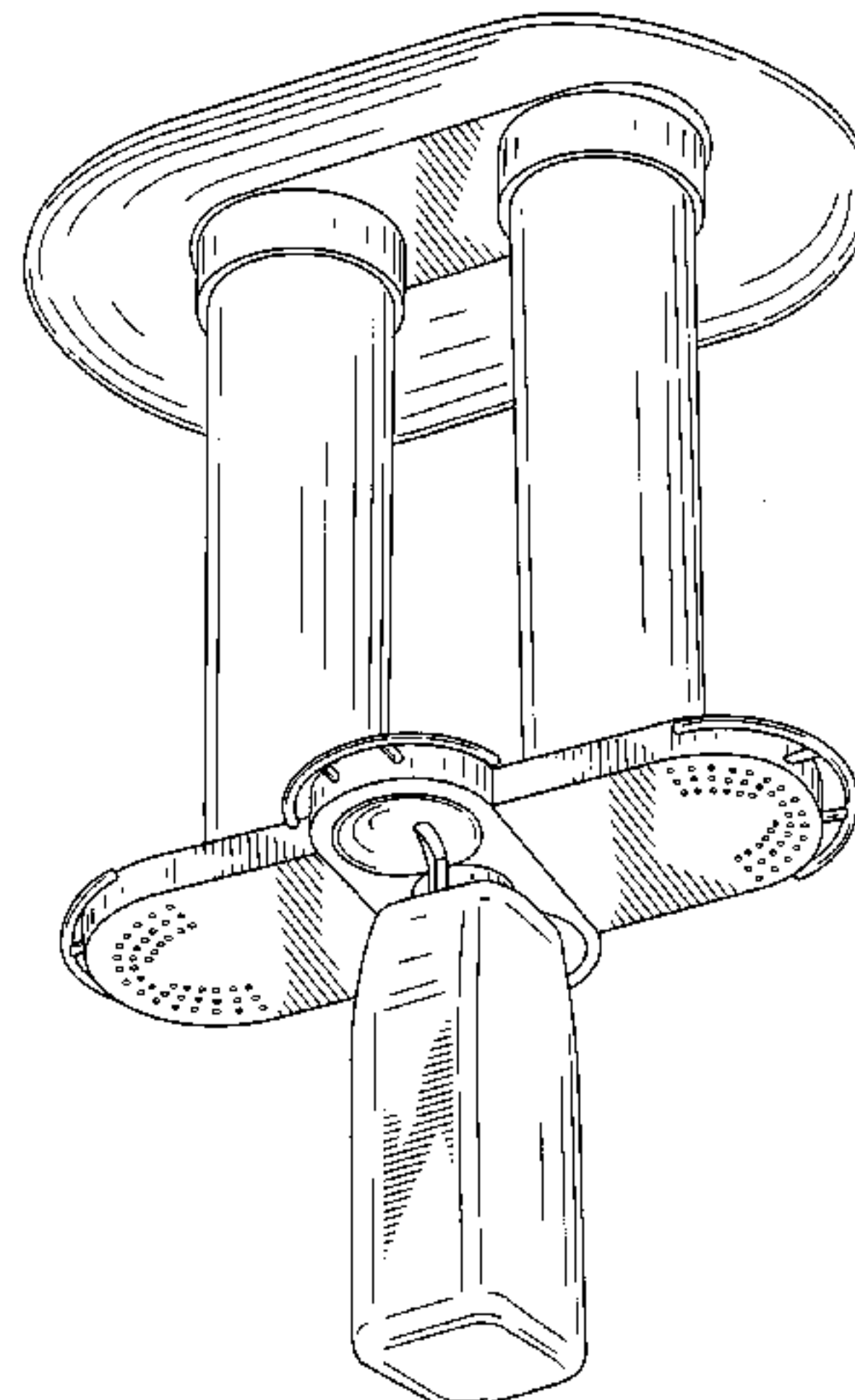
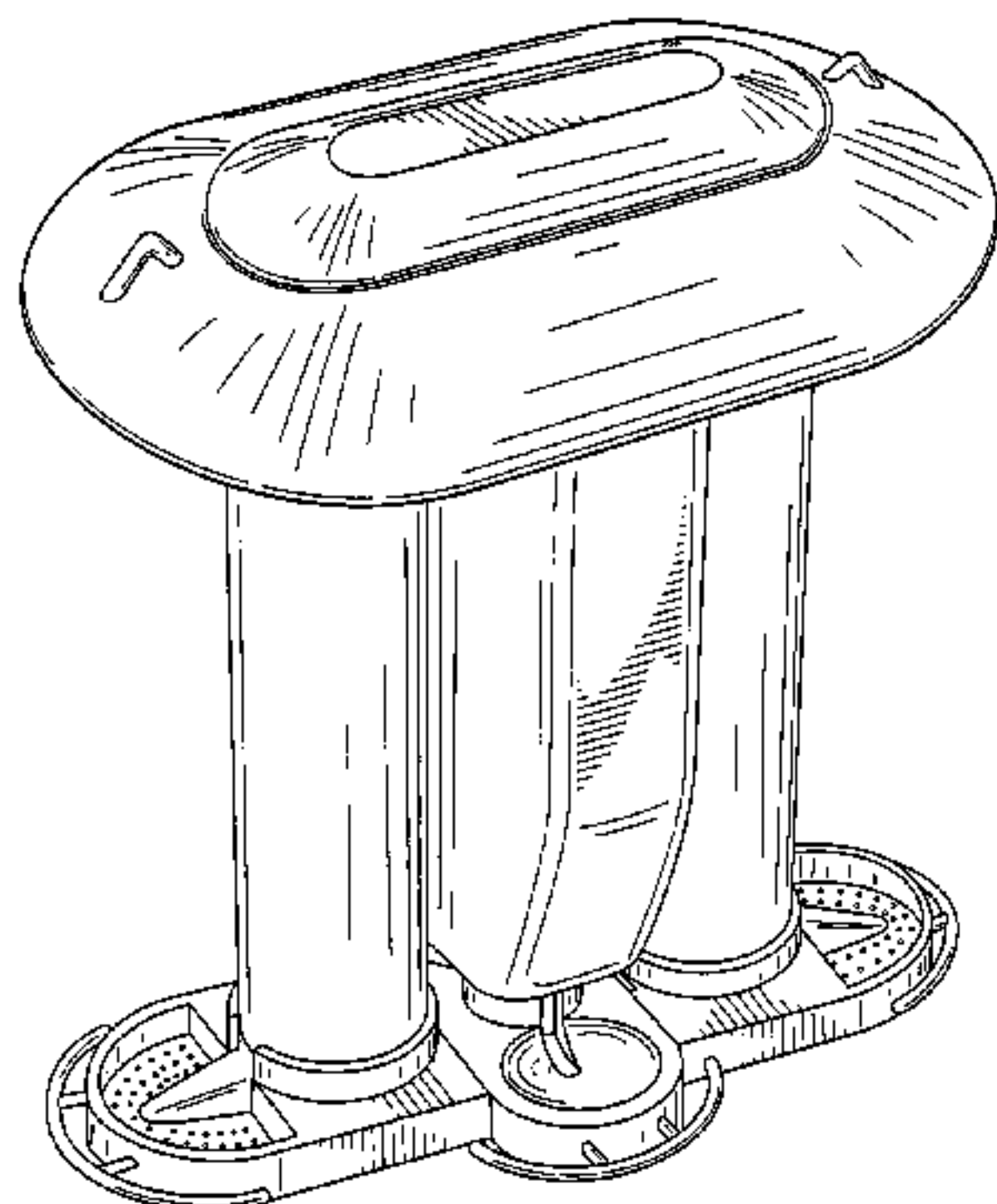
FIG. 9 is a front elevation view of the nutrient dispenser in the second configuration, wherein a rear elevation view of the nutrient dispenser in the second configuration is a mirror image of FIG. 9;

FIG. 10 is a right elevation view of the nutrient dispenser in the second configuration, wherein a left elevation view of the nutrient dispenser in the second configuration is a mirror image of FIG. 10;

FIG. 11 is a top plan view of the nutrient dispenser in the second configuration; and,

FIG. 12 is a bottom plan view of the nutrient dispenser in the second configuration.

1 Claim, 12 Drawing Sheets



(56)

References Cited

U.S. PATENT DOCUMENTS

3,125,069 A	3/1964	Fowler	
3,244,150 A	4/1966	Blair	
D216,199 S	12/1969	Brown, Jr.	
D231,370 S *	4/1974	Kitson	D30/121
4,233,941 A	11/1980	Webster	
4,327,669 A	5/1982	Blasbalg	
4,355,597 A	10/1982	Blasbalg	
D267,355 S	12/1982	Blasbalg	
4,408,565 A	10/1983	Kerbs et al.	
D274,377 S	6/1984	Nock	
D274,563 S	7/1984	Blasbalg	
D278,168 S *	3/1985	Latham et al.	D30/127
D282,019 S	12/1985	Kilham	
D289,094 S	3/1987	Stephen et al.	
4,664,066 A	5/1987	Steuernagel et al.	
4,732,112 A	3/1988	Fenner et al.	
D299,770 S	2/1989	Coffer	
4,901,673 A	2/1990	Overstreet	
4,942,845 A *	7/1990	Lane	119/52.2
4,977,859 A	12/1990	Kilham	
4,989,548 A *	2/1991	Short et al.	119/52.2
D320,097 S	9/1991	Vajtay	
D320,875 S	10/1991	Kilham	
5,062,388 A	11/1991	Kilham	
5,063,877 A	11/1991	Riggi	
5,140,945 A	8/1992	Barnhart et al.	
5,150,665 A	9/1992	Boaz	
5,165,363 A	11/1992	McGinty	
5,168,830 A	12/1992	Deglis	
D334,635 S	4/1993	Wenstrand	
D335,006 S	4/1993	Blasbalg	
5,218,926 A	6/1993	Wenstrand	
5,255,631 A *	10/1993	Anderson	119/52.2
5,289,796 A	3/1994	Armstrong	
D347,714 S	6/1994	Maple et al.	
D349,981 S	8/1994	Fasino	
D367,134 S	2/1996	Bescherer	
D368,337 S	3/1996	Dickinson	
5,533,467 A	7/1996	Lancia	
5,558,040 A	9/1996	Colwell et al.	
D386,835 S	11/1997	Passamare	
D386,836 S	11/1997	Hunt	
5,682,835 A	11/1997	Walter et al.	
5,701,842 A	12/1997	Whittles	
5,771,839 A *	6/1998	Marsh	119/52.2
D399,611 S	10/1998	Ericson et al.	
5,829,382 A	11/1998	Garrison	
5,964,183 A	10/1999	Czipri	
D428,437 S *	7/2000	Hmelar et al.	D18/56
6,119,627 A	9/2000	Banyas et al.	
D451,251 S *	11/2001	Chrisco et al.	D30/124
6,481,375 B1	11/2002	Scalf	
6,546,894 B2 *	4/2003	Chrisco et al.	119/52.2
6,647,921 B2	11/2003	Stokes et al.	
6,659,041 B1	12/2003	Curts	
6,662,745 B2 *	12/2003	Chrisco et al.	119/52.2
D486,272 S	2/2004	Donegan	
D498,335 S	11/2004	Donegan	
6,866,004 B1	3/2005	Lush	
D515,748 S *	2/2006	Jung et al.	D30/127
7,032,538 B1	4/2006	Lush	
D521,193 S	5/2006	Lombard	
D524,490 S	7/2006	Obenshain	
7,162,972 B2 *	1/2007	Stachowiak	119/52.2
D546,506 S	7/2007	Barszcz et al.	
D555,841 S	11/2007	Fan	
D566,344 S	4/2008	Schatz	
7,418,923 B1	9/2008	Banyas et al.	
7,516,715 B2 *	4/2009	Conlon	119/52.2
7,549,392 B2 *	6/2009	Wechsler	119/52.2
D606,708 S	12/2009	McMullen	
D606,709 S	12/2009	McMullen	
7,743,732 B2	6/2010	Webber	
D633,659 S	3/2011	Lai	
7,918,184 B2 *	4/2011	Humphries et al.	119/51.5
D649,299 S	11/2011	Lush	
D649,300 S	11/2011	Lush	
D678,627 S *	3/2013	Carter	D30/127
D679,059 S *	3/2013	Carter	D30/127
2003/0033985 A1	2/2003	Hardison	
2003/0127056 A1 *	7/2003	Chrisco et al.	119/52.2
2004/0250777 A1 *	12/2004	Stachowiak	119/52.2
2005/0139163 A1 *	6/2005	Swift et al.	119/52.2
2006/0118056 A1	6/2006	Kuelbs	
2007/0266951 A1 *	11/2007	Berns	119/57.8
2008/0134979 A1 *	6/2008	Crocker	119/51.5
2009/0159008 A1	6/2009	Humphries et al.	
2011/0067635 A1	3/2011	Puckett et al.	
2011/0083609 A1	4/2011	Cote	
2011/0100299 A1	5/2011	Colwell	

* cited by examiner

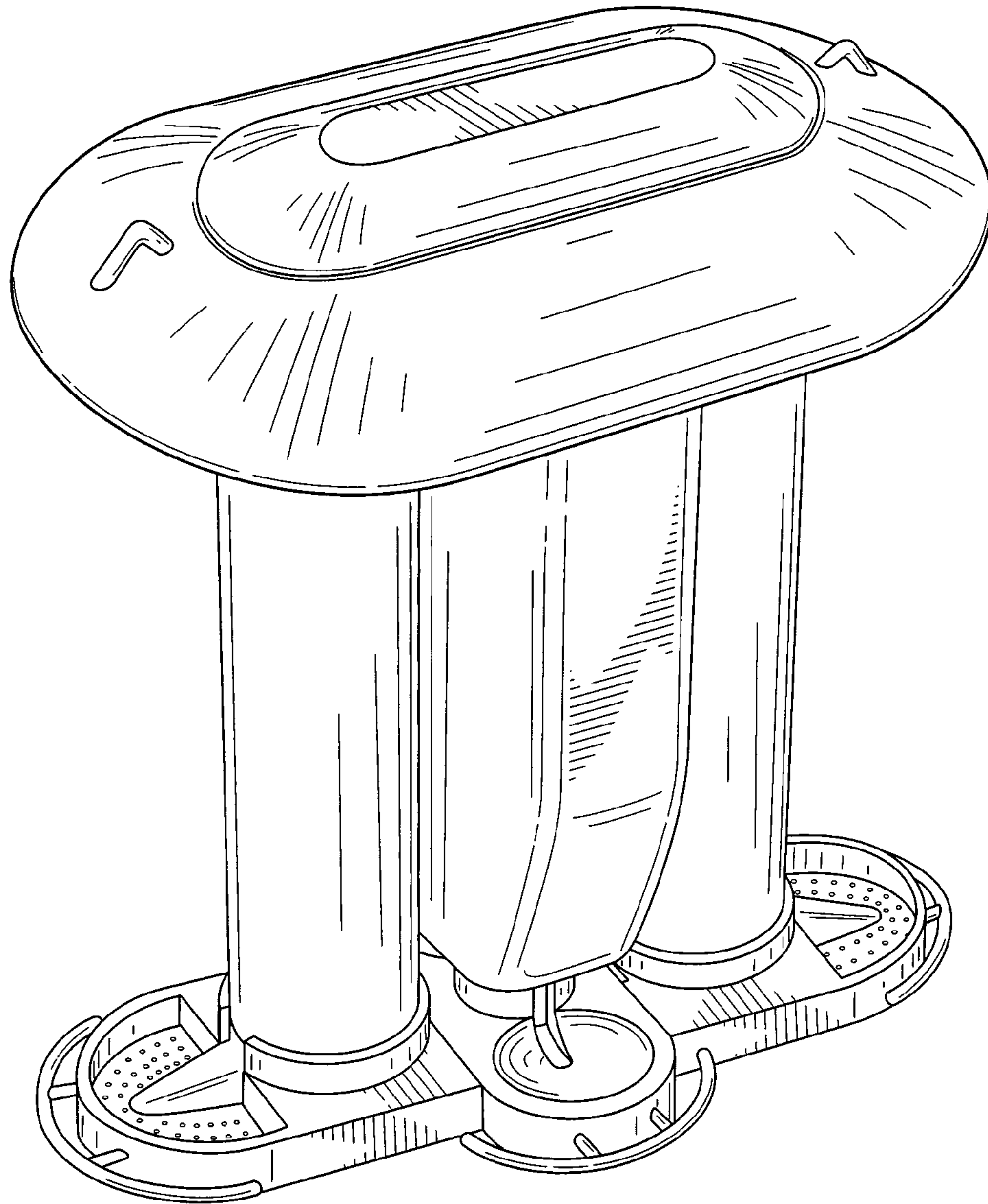


FIG. 1

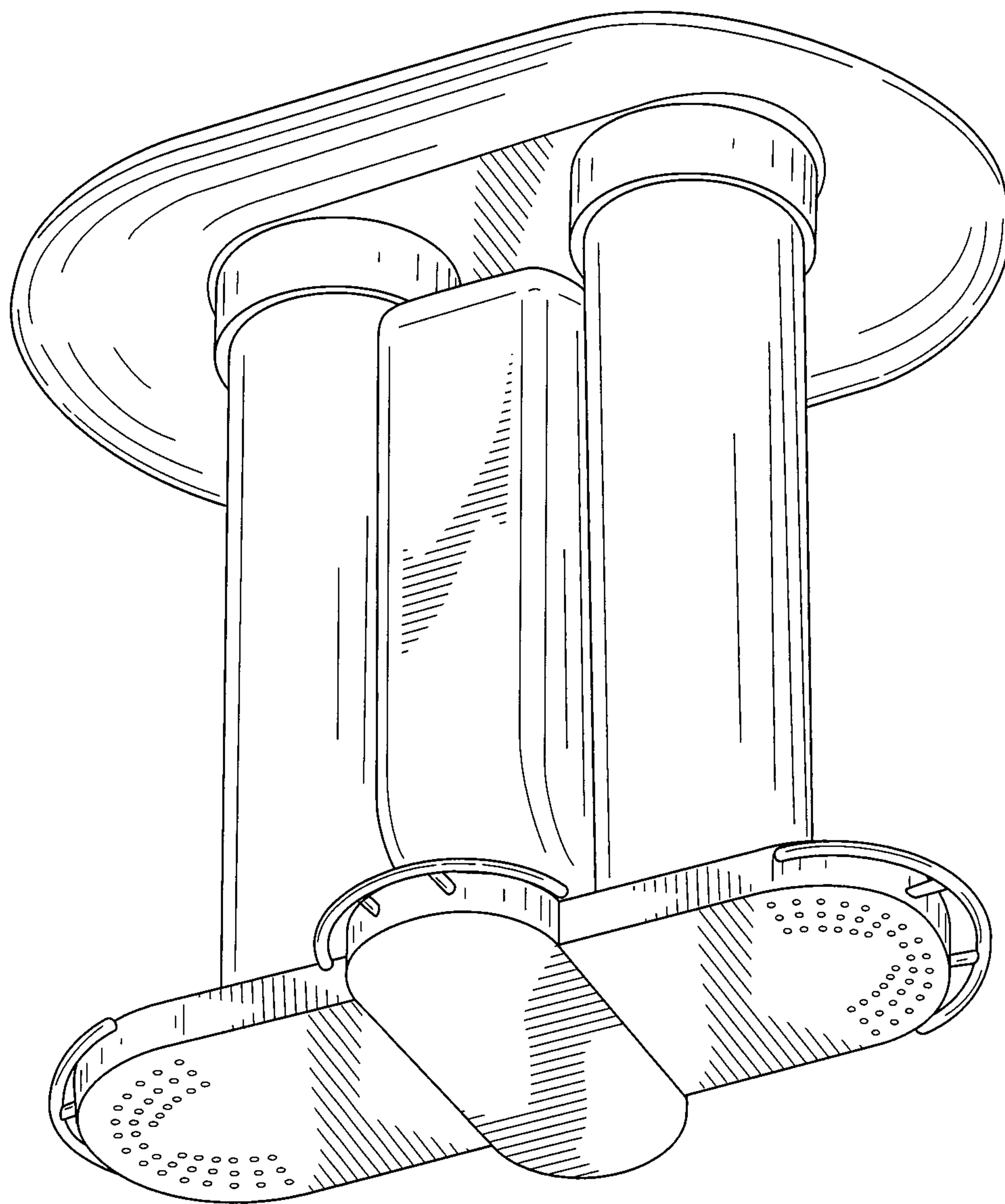


FIG. 2

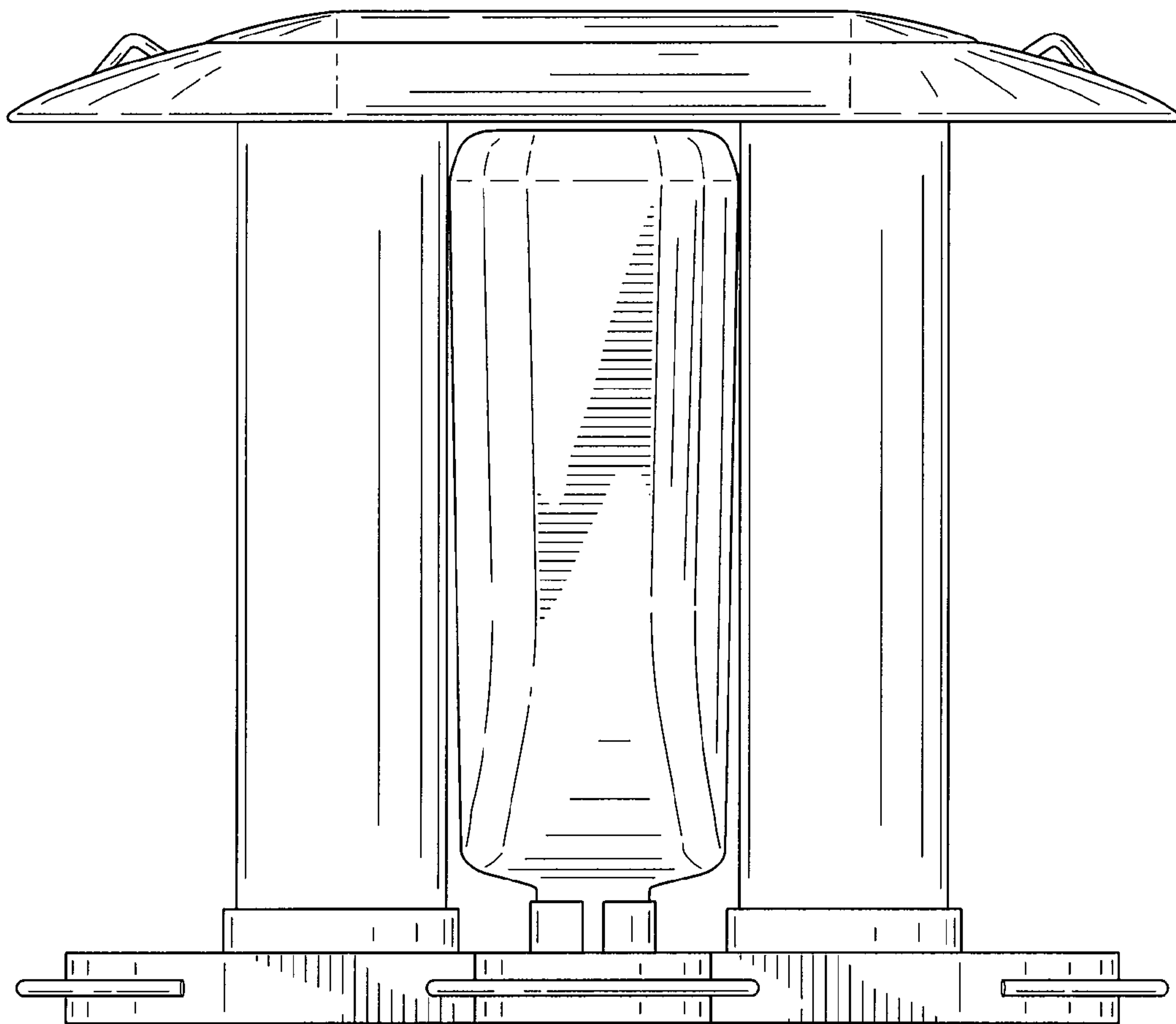


FIG. 3

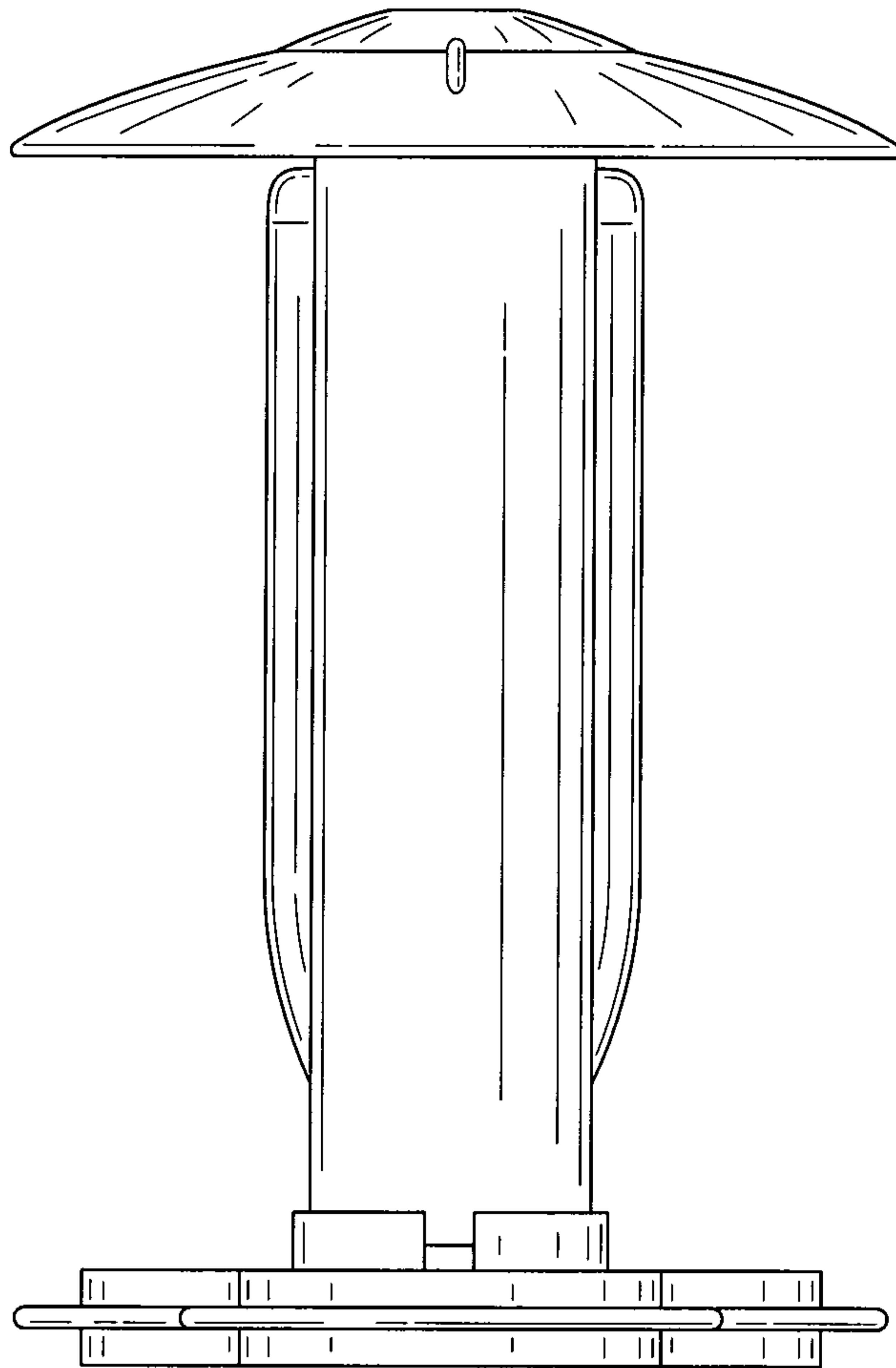


FIG. 4

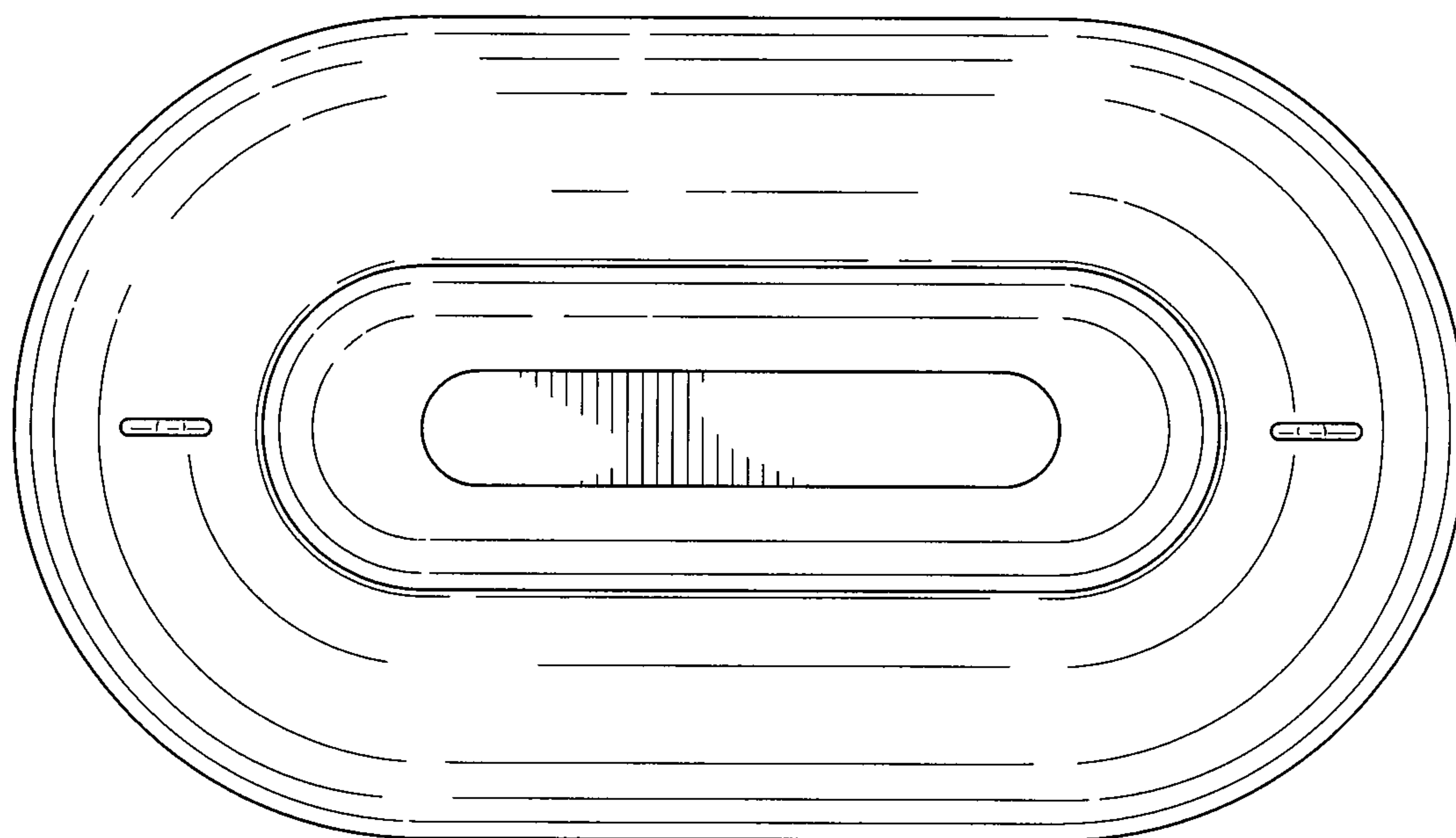


FIG. 5

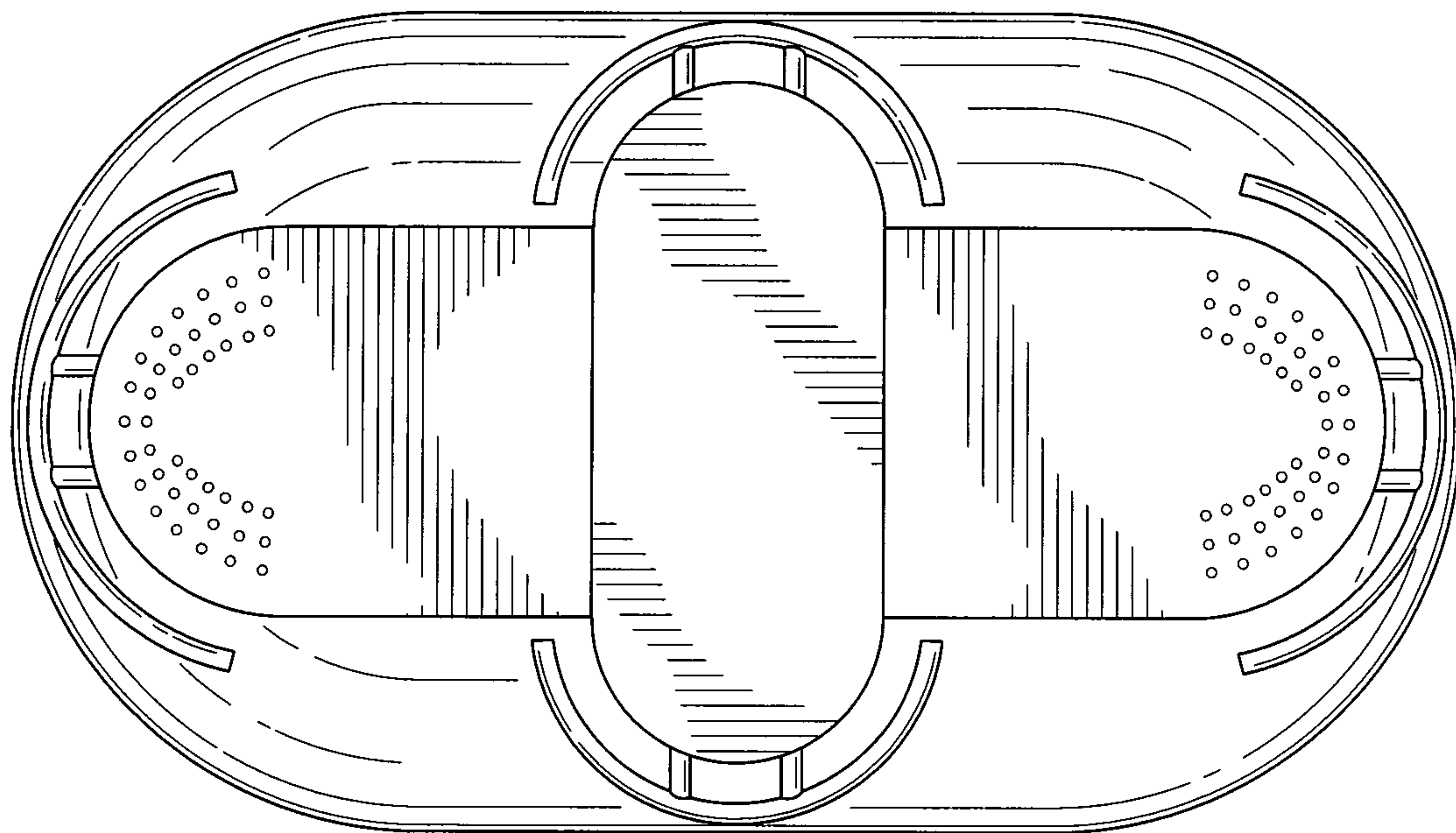


FIG. 6

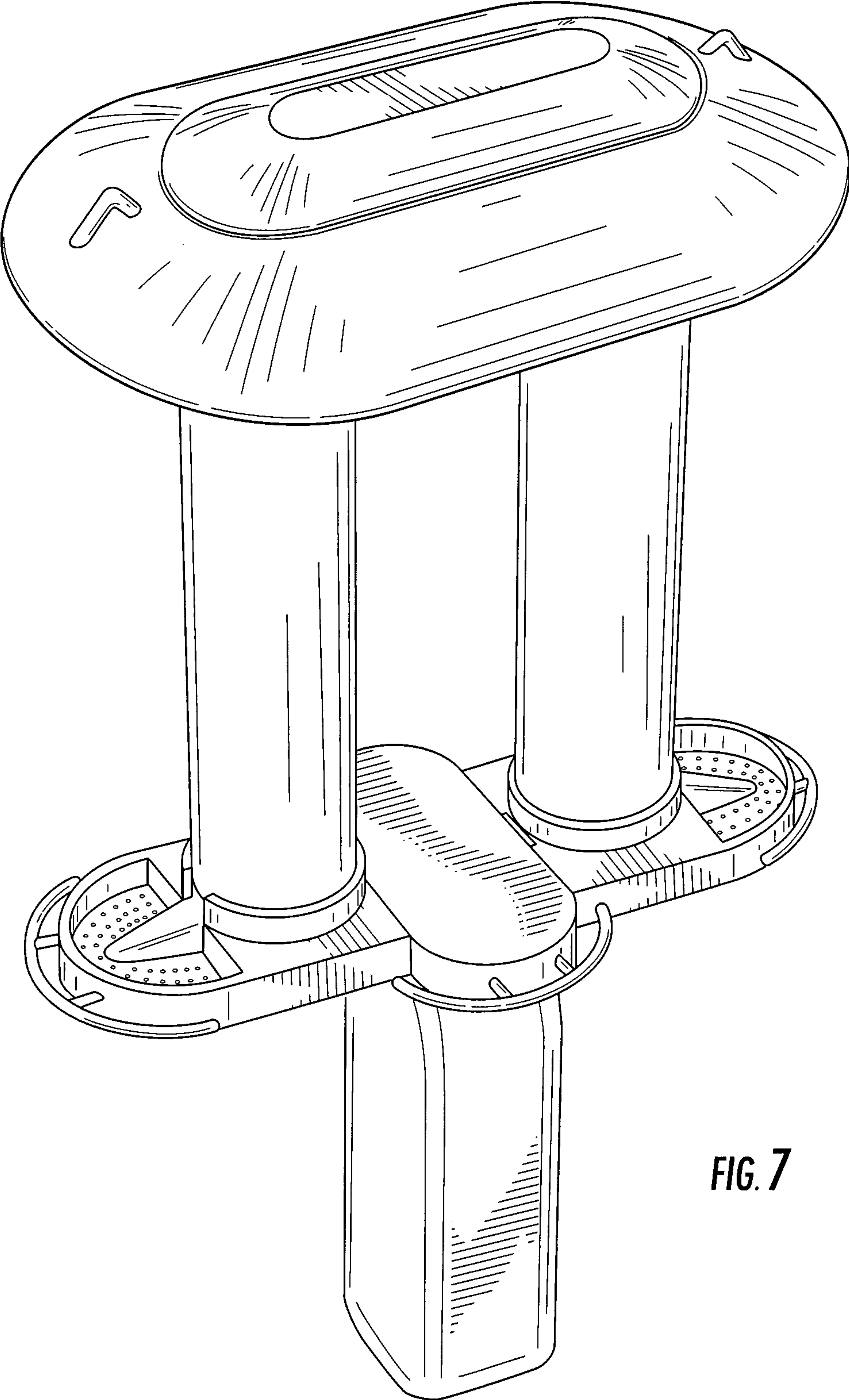


FIG. 7

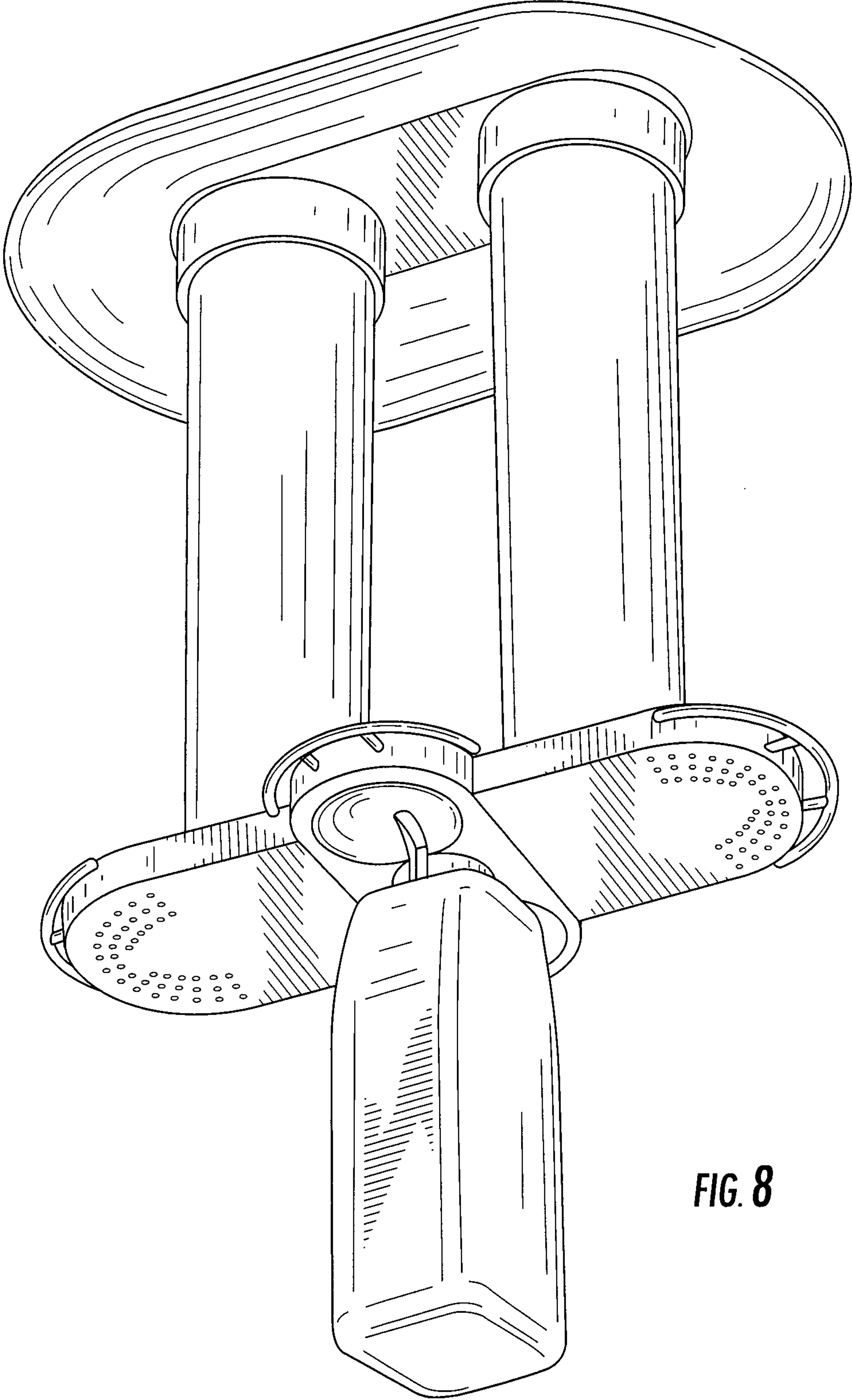


FIG. 8

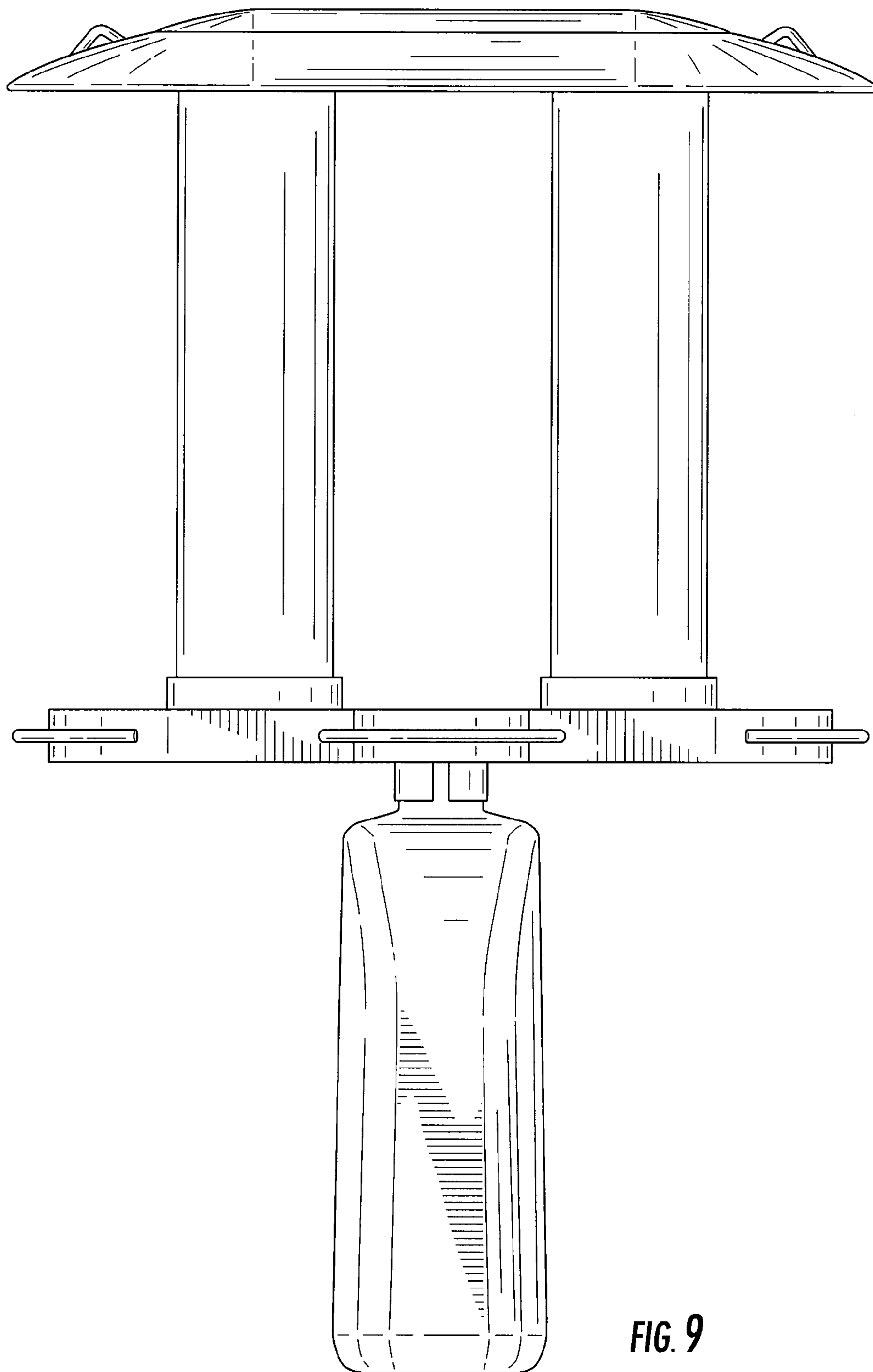


FIG. 9

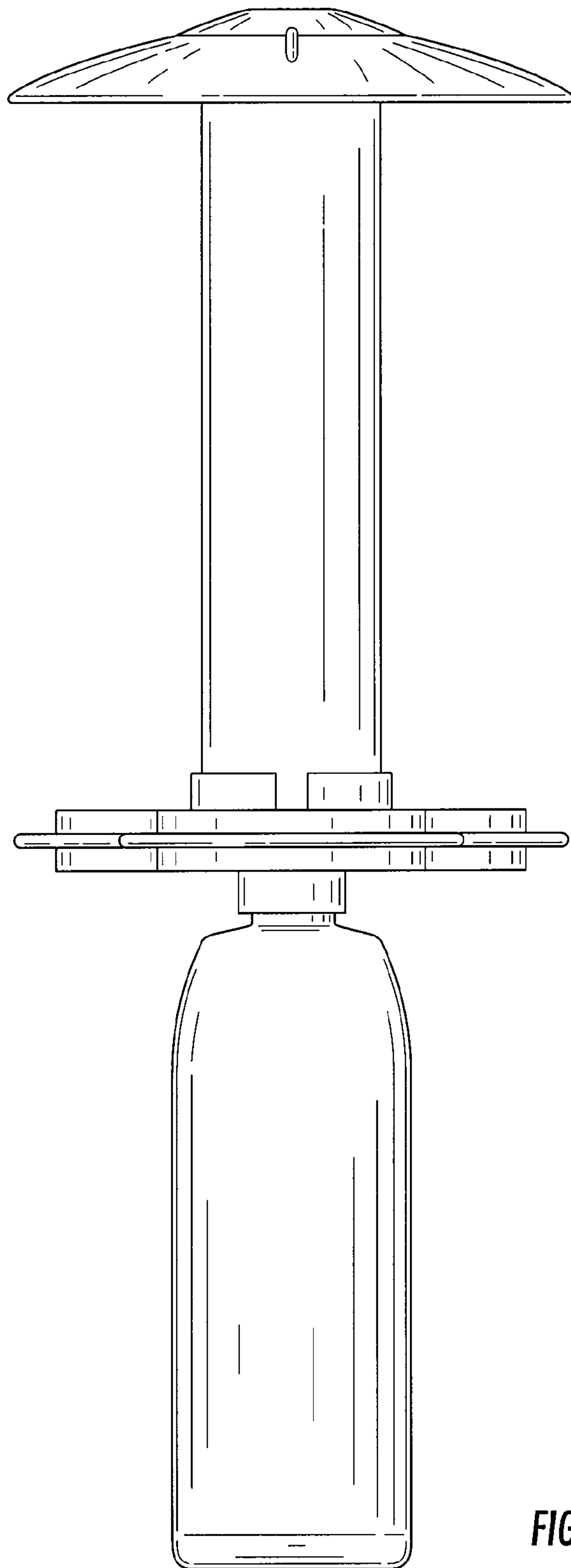


FIG. 10

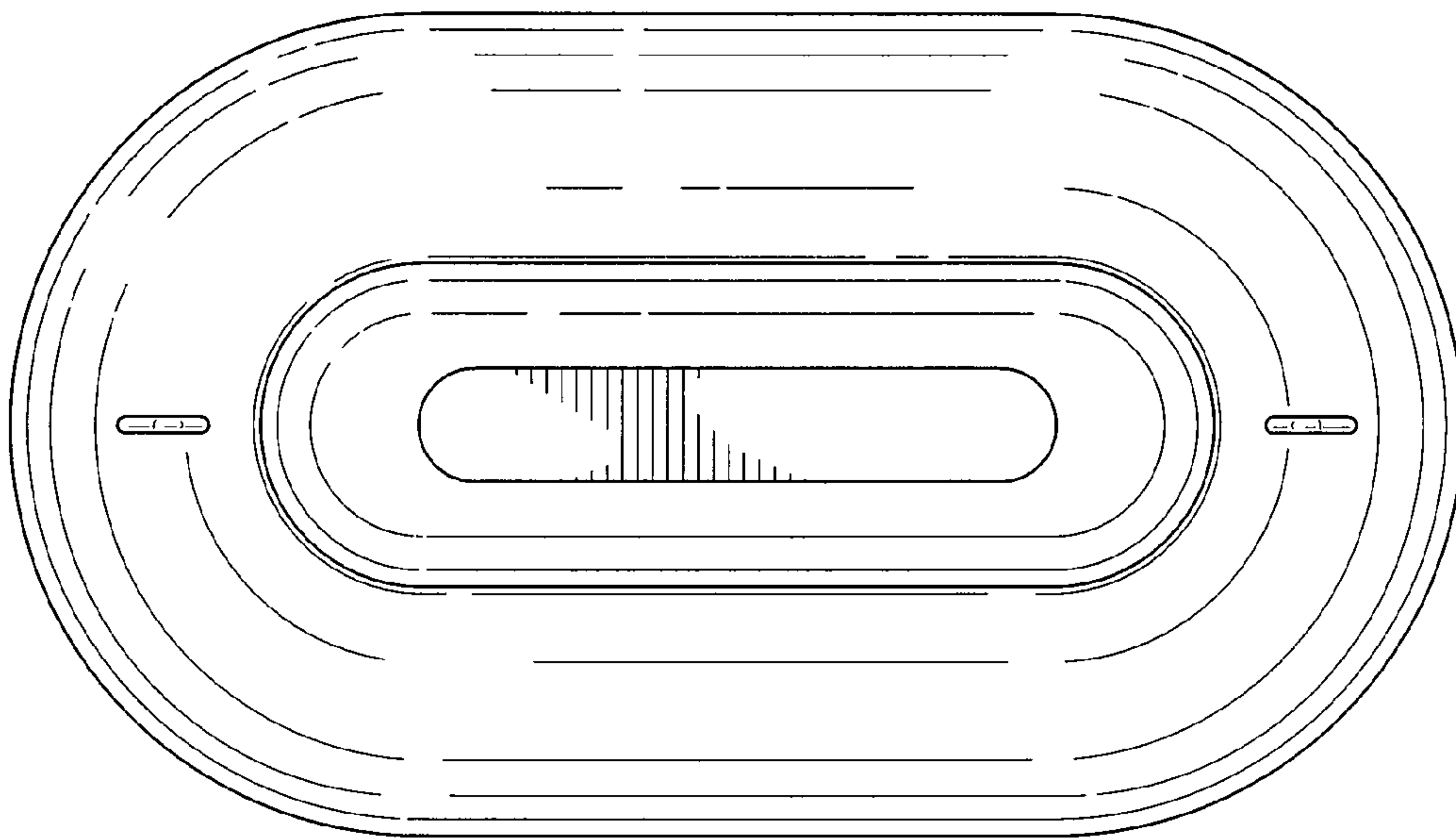


FIG. 11

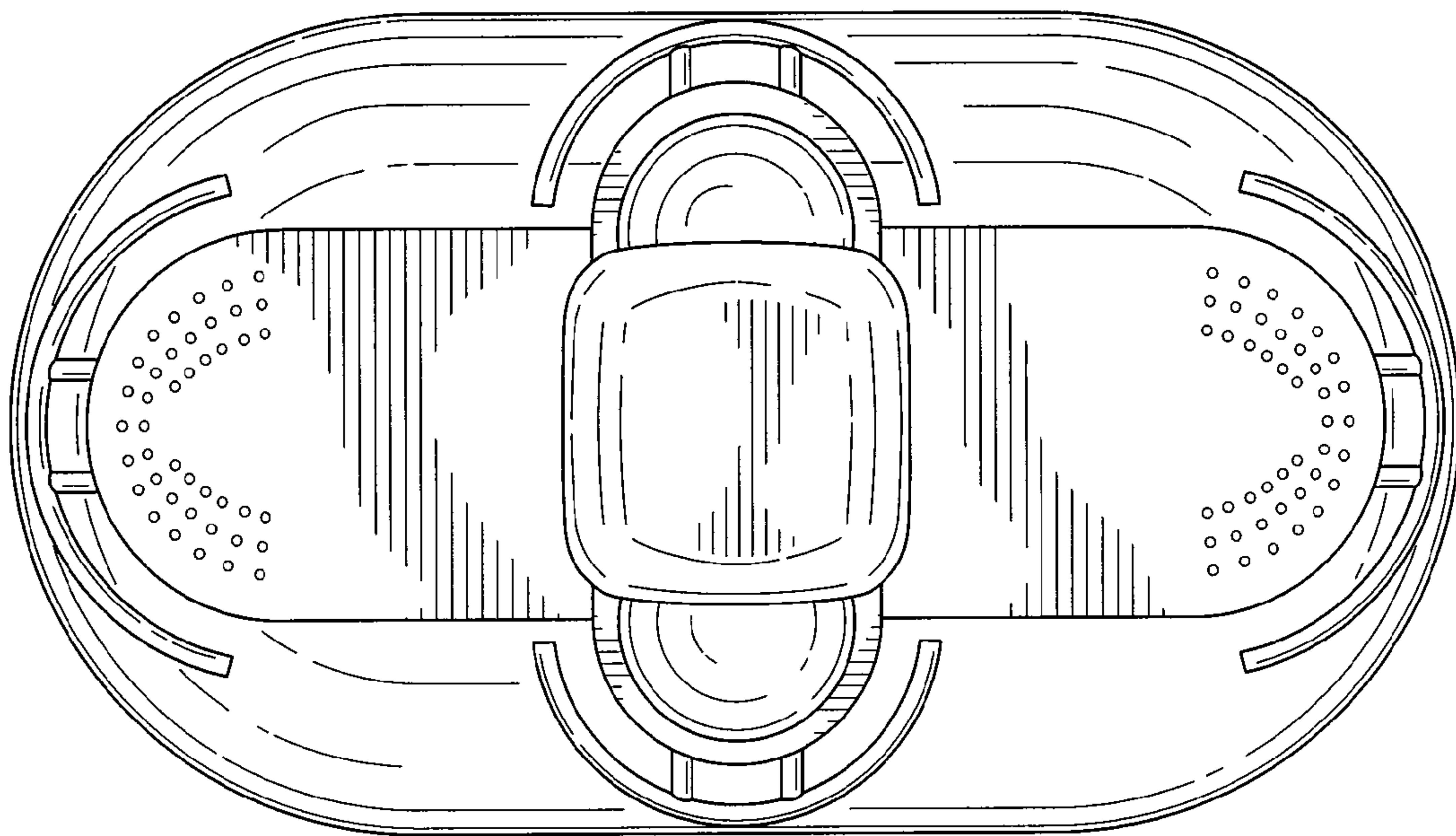


FIG. 12