



US00D709248S

(12) **United States Design Patent**
Hazel

(10) **Patent No.:** **US D709,248 S**
(45) **Date of Patent:** **** Jul. 15, 2014**

(54) **HUMMINGBIRD FEEDER PARTITION**

(71) Applicant: **Archie Hazel**, Jonesboro, IL (US)

(72) Inventor: **Archie Hazel**, Jonesboro, IL (US)

(**) Term: **14 Years**

(21) Appl. No.: **29/480,113**

(22) Filed: **Jan. 23, 2014**

(51) **LOC (10) Cl.** **30-03**

(52) **U.S. Cl.**

USPC **D30/124**

(58) **Field of Classification Search**

USPC D30/121, 124-128, 110, 115, 117, 119;
119/51.01, 57.8, 53, 428, 429, 469;
D11/139, 117-120, 130, 131, 151, 184
See application file for complete search history.

(56) **References Cited**

U.S. PATENT DOCUMENTS

290,118	A *	12/1883	Sargent	428/24
D28,734	S *	5/1898	Muller	D26/101
721,435	A *	2/1903	Fielding	362/311.06
899,852	A *	9/1908	Warner	428/24
D62,916	S *	8/1923	Peck	D26/24
D65,027	S *	6/1924	Wade	D21/628
D71,107	S *	9/1926	Gorowitz	D26/101
D76,001	S *	8/1928	Broch	D6/412
D84,104	S *	5/1931	Rithner	D26/127
D95,019	S *	4/1935	Cooperstein	D11/146
2,140,022	A *	12/1938	Martin	428/24
D121,675	S *	7/1940	Goldin	D11/117
D130,923	S *	12/1941	Philipovich	D26/101
D140,392	S *	2/1945	Haynes	D11/139
2,432,632	A *	12/1947	Seibel	362/567
D149,729	S *	5/1948	Aronek	D26/101
2,570,733	A *	10/1951	Thomas	119/72
2,641,086	A *	6/1953	Shinoda	47/55

D174,909	S *	6/1955	Kllegberg	D11/151
D175,435	S *	8/1955	Moffat	D11/151
2,881,545	A *	4/1959	Decamp	428/26
3,050,619	A *	8/1962	Abramson	362/122
D193,760	S *	10/1962	Sanders	D2/858
D194,846	S *	3/1963	Perry	D30/125
3,125,069	A *	3/1964	Fowler	119/77
3,137,610	A *	6/1964	Flynn	428/26
D200,472	S *	3/1965	Chang	D11/117
D211,887	S *	8/1968	Dearling	D6/539
D214,172	S *	5/1969	Troutman	D11/151
3,634,678	A *	1/1972	Glass et al.	362/567
3,913,527	A *	10/1975	Kilham	119/74
3,928,936	A *	12/1975	Wollen	47/41.15
D239,182	S *	3/1976	Kilham	D30/125
D240,777	S *	8/1976	Petersen	D2/858
4,037,361	A *	7/1977	Murphy et al.	47/48.5
D246,294	S *	11/1977	Hetherington	D11/117

(Continued)

Primary Examiner — Susan Moon Lee

(74) *Attorney, Agent, or Firm* — James A. Italia

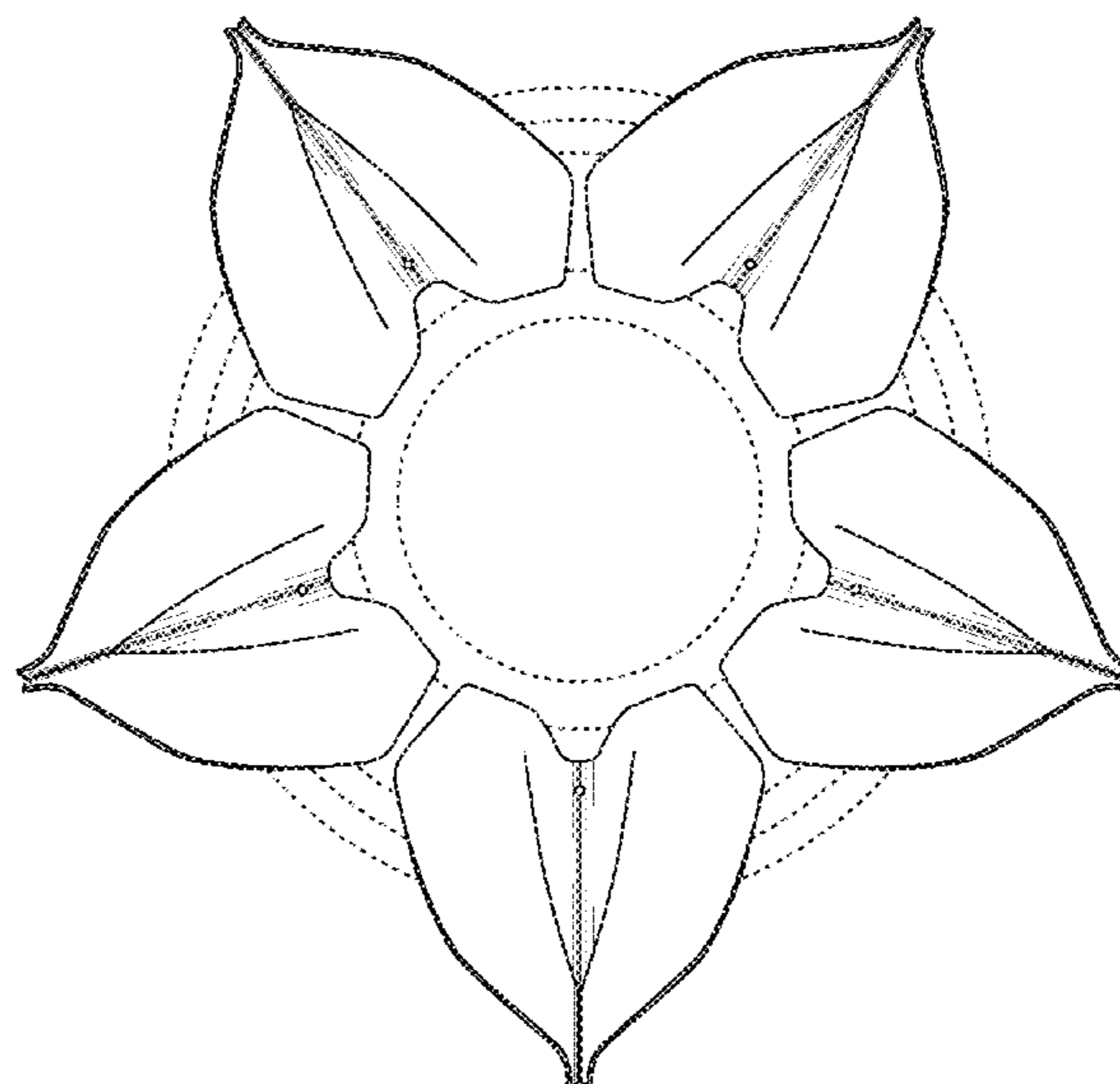
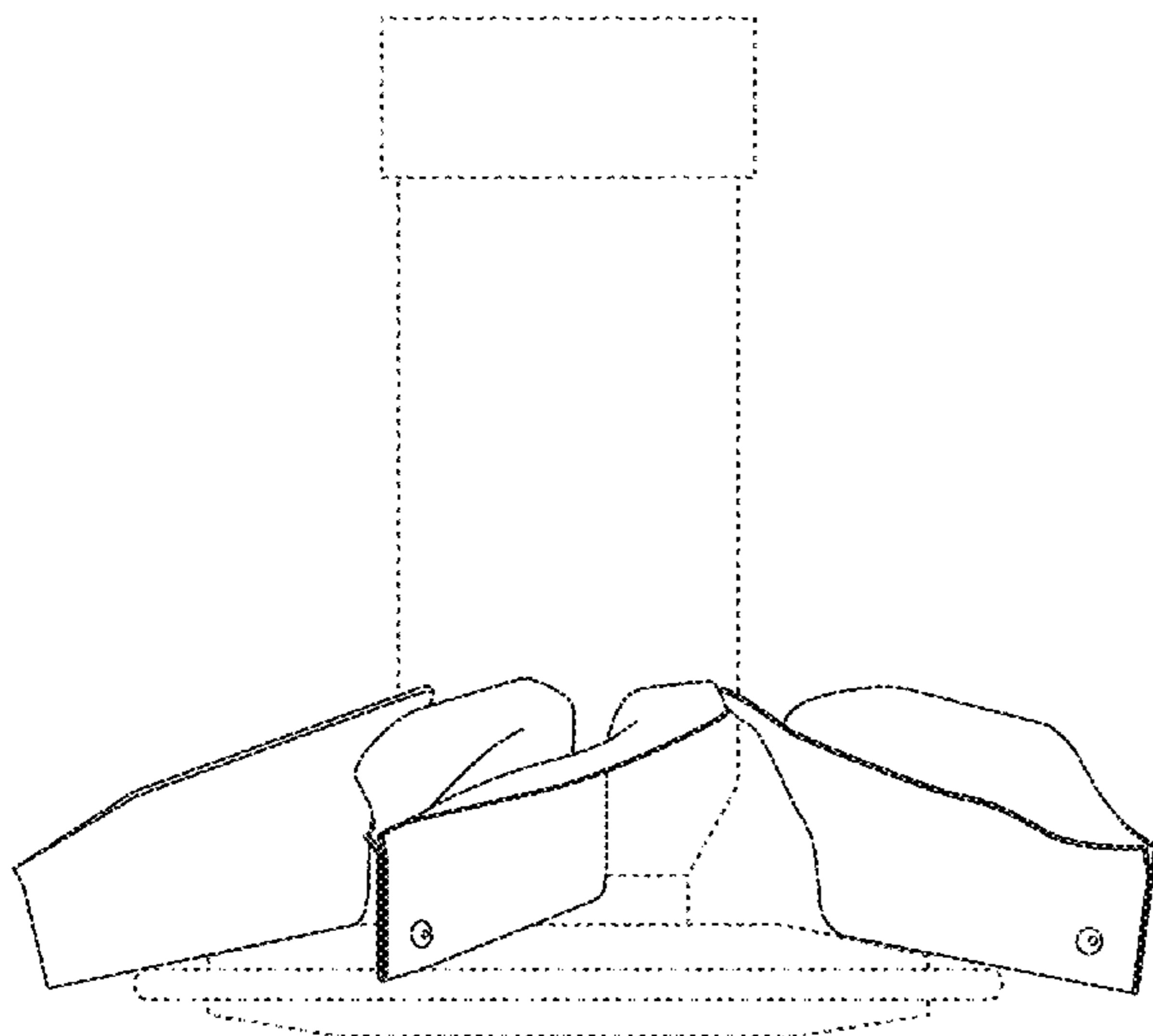
(57) **CLAIM**

The ornamental design for hummingbird feeder partition, as shown and described.

DESCRIPTION

FIG. 1 is a perspective view of a hummingbird feeder partition showing my new design;
FIG. 2 is a front elevational view of the invention;
FIG. 3 is a rear elevational view of the invention;
FIG. 4 is a right-side elevational view of the invention;
FIG. 5 is a left-side elevational view of the invention;
FIG. 6 is a top plan view of the invention;
FIG. 7 is a bottom plan view of the invention; and,
FIG. 8 is an enlarged perspective view of a single partition.
Broken lines and unshaded portions contained within broken lines are not claimed.

1 Claim, 5 Drawing Sheets



(56)

References Cited

U.S. PATENT DOCUMENTS

- 4,082,872 A * 4/1978 Hughes 428/24
D252,288 S * 7/1979 Kilham D30/125
4,293,601 A * 10/1981 Cole 428/24
4,369,216 A * 1/1983 Willinger 428/17
4,446,178 A * 5/1984 Daugherty 428/26
D281,768 S * 12/1985 Hansen, Jr. D11/117
4,588,618 A * 5/1986 Wolfe 428/7
D287,652 S * 1/1987 Mack D30/128
D288,353 S * 2/1987 Smith D23/285
4,691,665 A * 9/1987 Hefner 119/77
4,708,892 A * 11/1987 Young et al. 428/24
4,789,572 A * 12/1988 Weaver 428/26
D309,639 S * 7/1990 Knudsen D21/496
D309,640 S * 7/1990 Knudsen D21/496
D322,044 S * 12/1991 Marsar et al. D11/117
5,083,881 A * 1/1992 Yoshinaga 401/195
D331,864 S * 12/1992 Sciubba D8/1
D345,444 S * 3/1994 Kestekides-Kesdekoglu D1/127
D360,710 S * 7/1995 Colwell D30/121
5,450,816 A * 9/1995 Santa Cruz 119/72
D365,411 S * 12/1995 Yan D26/125
D368,989 S * 4/1996 Prehart D30/111
5,507,249 A * 4/1996 Shaw 119/72
5,522,758 A * 6/1996 Liu et al. 446/310
D371,401 S * 7/1996 Nielsen et al. D21/496
D371,838 S * 7/1996 Davis et al. D23/411
D378,312 S * 3/1997 Davis, Jr. D23/411
D382,376 S * 8/1997 Bescherer D30/124
D386,811 S * 11/1997 Milicia D26/156
5,682,835 A * 11/1997 Walter et al. 119/57.8
D387,156 S * 12/1997 Johnson D23/411
D388,235 S * 12/1997 Wilson et al. D1/115
D392,763 S * 3/1998 Denison et al. D26/68
D394,468 S * 5/1998 Leadbetter D21/496
5,771,614 A * 6/1998 Dawson 40/124.06
D397,529 S * 8/1998 Fuller et al. D30/124
5,800,047 A * 9/1998 Yang 362/255
5,806,460 A * 9/1998 Klein 119/72
5,816,686 A * 10/1998 Wang et al. 362/653
D402,441 S * 12/1998 Kelly D2/858
5,848,493 A * 12/1998 Gasper 47/41.15
5,899,555 A * 5/1999 Lin 362/122
6,012,414 A * 1/2000 Klein 119/72
D421,643 S * 3/2000 Mauk D23/261
D433,747 S * 11/2000 Frampton D23/413
D443,711 S * 6/2001 Lindsay D26/68
D445,533 S * 7/2001 Arnoldo D26/127
D450,786 S * 11/2001 Jenkins et al. D21/577
D451,997 S * 12/2001 Schwartz D23/413
D454,192 S * 3/2002 Frampton D23/413
D454,636 S * 3/2002 Lantz D23/413
D454,669 S * 3/2002 Lieb D30/125
D459,824 S * 7/2002 Leen D26/73
6,439,158 B1 * 8/2002 Blohm 119/57.8
6,499,430 B2 * 12/2002 Garcia-Lucio et al. 119/72
D470,621 S * 2/2003 Cheng D26/127
D476,755 S * 7/2003 LoVullo et al. D26/25
D479,595 S * 9/2003 Curtin D23/413
D479,596 S * 9/2003 Curtin D23/413
D479,597 S * 9/2003 Curtin D23/413
D480,135 S * 9/2003 Frampton D23/413
D480,802 S * 10/2003 Frampton D23/413
D480,803 S * 10/2003 Frampton D23/413
D482,736 S * 11/2003 Manville D21/484
D483,858 S * 12/2003 Lin D23/413
D485,345 S * 1/2004 Bucher D23/377
D485,350 S * 1/2004 Frampton D23/413
D485,351 S * 1/2004 Frampton D23/413
6,672,249 B2 * 1/2004 Garcia-Lucio et al. 119/72
D488,195 S * 4/2004 Manville D21/484
D488,219 S * 4/2004 Frampton D23/413
D489,128 S * 4/2004 Frampton D23/413
6,733,151 B2 * 5/2004 Shu 362/122
D491,657 S * 6/2004 Cartwright D23/413
6,776,511 B1 * 8/2004 Lindsay 362/377
D502,293 S * 2/2005 Harger D30/124
6,861,108 B1 * 3/2005 Potoroka, Sr. 428/17
6,890,155 B2 * 5/2005 Cartwright 416/229 R
D506,826 S * 6/2005 Frampton D23/411
D510,992 S * 10/2005 Bucher D23/377
D516,712 S * 3/2006 Pickett D23/413
D523,955 S * 6/2006 Badarello D23/413
D525,903 S * 8/2006 Weiser et al. D11/117
D536,838 S * 2/2007 Colvin et al. D30/124
D538,485 S * 3/2007 Degironne D30/124
D541,466 S * 4/2007 Bucher et al. D26/113
7,234,418 B2 * 6/2007 Fort et al. 119/72
D548,321 S * 8/2007 Orozco D23/411
D554,252 S * 10/2007 Bucher et al. D23/413
D563,616 S * 3/2008 Lynde et al. D32/40
D565,173 S * 3/2008 Bucher et al. D23/413
D569,301 S * 5/2008 Fotherby D11/117
7,396,212 B1 * 7/2008 Parker et al. 416/243
D575,864 S * 8/2008 Parker et al. D23/413
7,448,347 B2 * 11/2008 Richmond 119/72
D584,387 S * 1/2009 Lee et al. D23/285
D588,756 S * 3/2009 Colvin et al. D30/124
D593,649 S * 6/2009 Marvell D23/285
D595,525 S * 7/2009 Dimond D6/597
D597,197 S * 7/2009 Parker et al. D23/413
7,600,487 B2 * 10/2009 Stone et al. 119/72
D606,708 S * 12/2009 McMullen D30/127
D606,878 S * 12/2009 Lindfors D9/666
D609,329 S * 2/2010 Parker et al. D23/411
7,685,969 B2 * 3/2010 Stone et al. 119/72
D615,310 S * 5/2010 Cybulski D6/348
D620,172 S * 7/2010 Orozco D26/73
7,789,040 B2 * 9/2010 Liethen 119/57.8
D627,457 S * 11/2010 Klausning et al. D23/413
D629,137 S * 12/2010 Chen D26/68
D630,969 S * 1/2011 Mattis D11/117
7,861,671 B2 * 1/2011 Carter et al. 119/72
D641,516 S * 7/2011 Chen D26/68
8,011,323 B2 * 9/2011 Vaughn et al. 119/72
8,051,803 B2 * 11/2011 Gauker et al. 119/81
D650,514 S * 12/2011 Lin et al. D26/118
D698,098 S * 1/2014 Muhr et al. D30/124
D698,099 S * 1/2014 Muhr et al. D30/124
D698,100 S * 1/2014 Muhr et al. D30/124
D698,101 S * 1/2014 Muhr et al. D30/124
D698,102 S * 1/2014 Muhr et al. D30/124
D698,129 S * 1/2014 Marz D2/858
D698,501 S * 1/2014 Muhr et al. D30/124
2004/0010971 A1 * 1/2004 Redfield et al. 47/83
2004/0118354 A1 * 6/2004 Cox et al. 119/72
2009/0308321 A1 * 12/2009 Szczygiel- Durante 119/72
2009/0320765 A1 * 12/2009 Gauker et al. 119/75
2010/0024738 A1 * 2/2010 Chen et al. 119/72
2010/0224132 A1 * 9/2010 Gauker et al. 119/80
2011/0011345 A1 * 1/2011 Lorocco et al. 119/72
2013/0239478 A1 * 9/2013 Weder 47/72

* cited by examiner

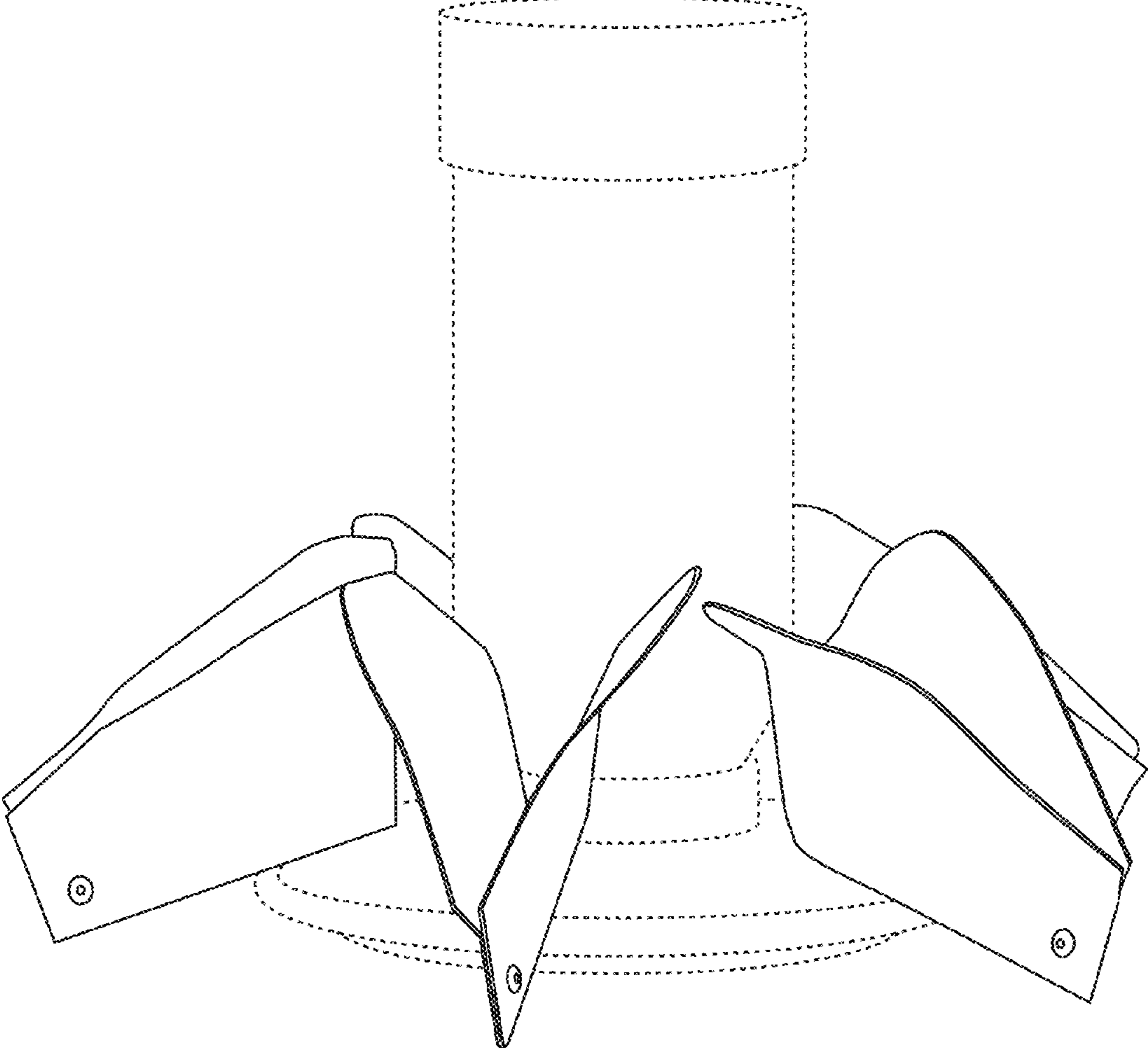
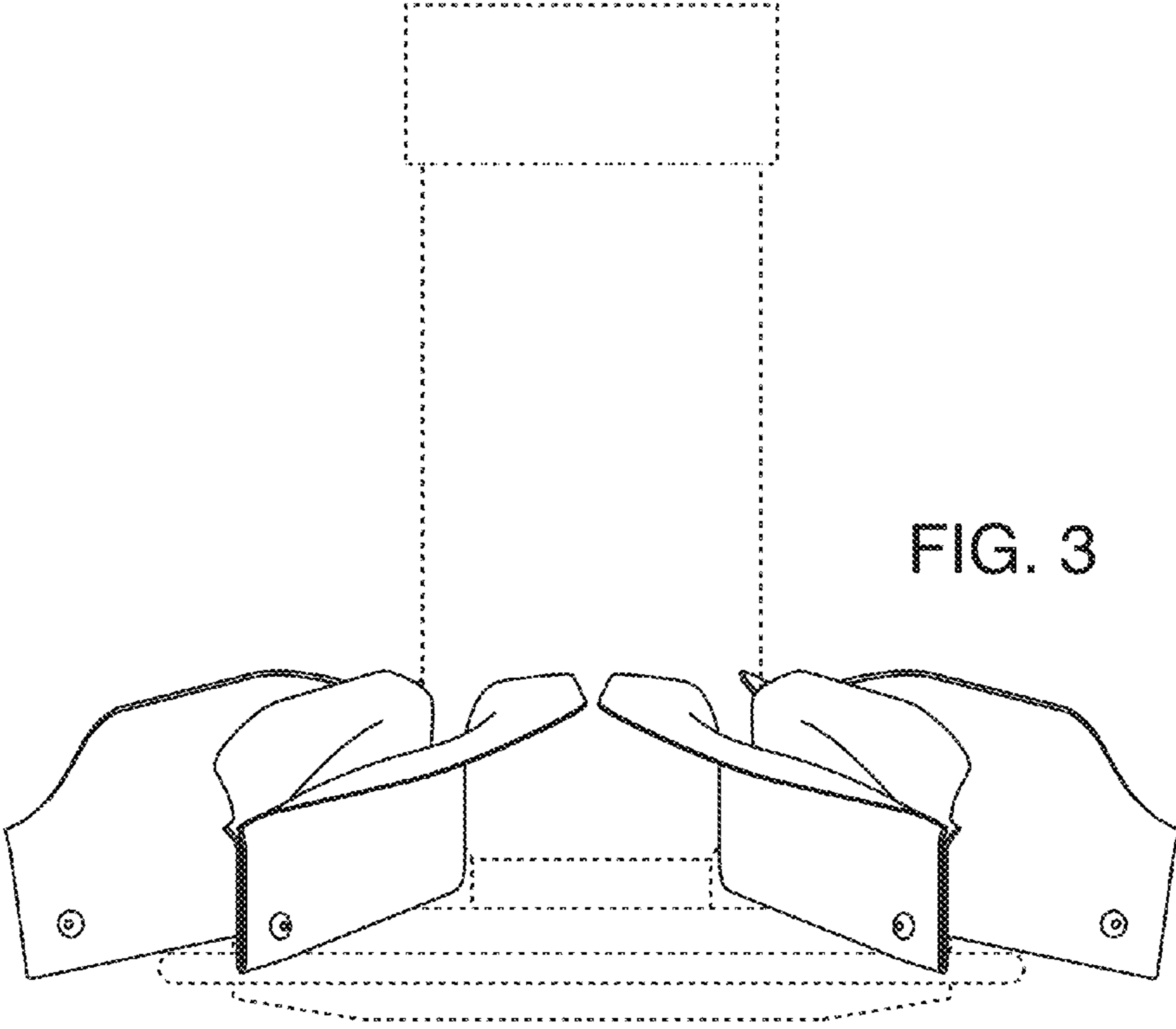
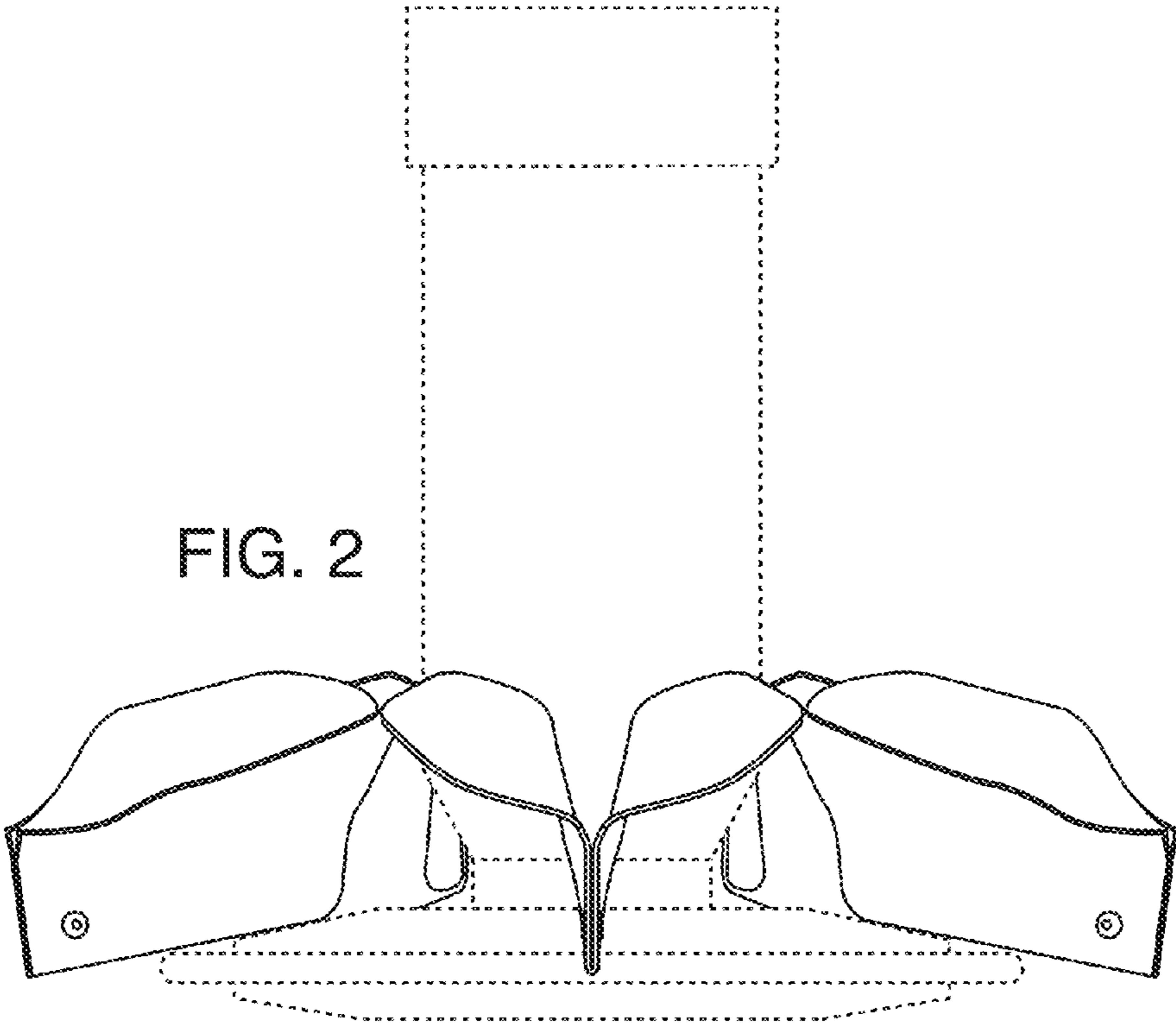
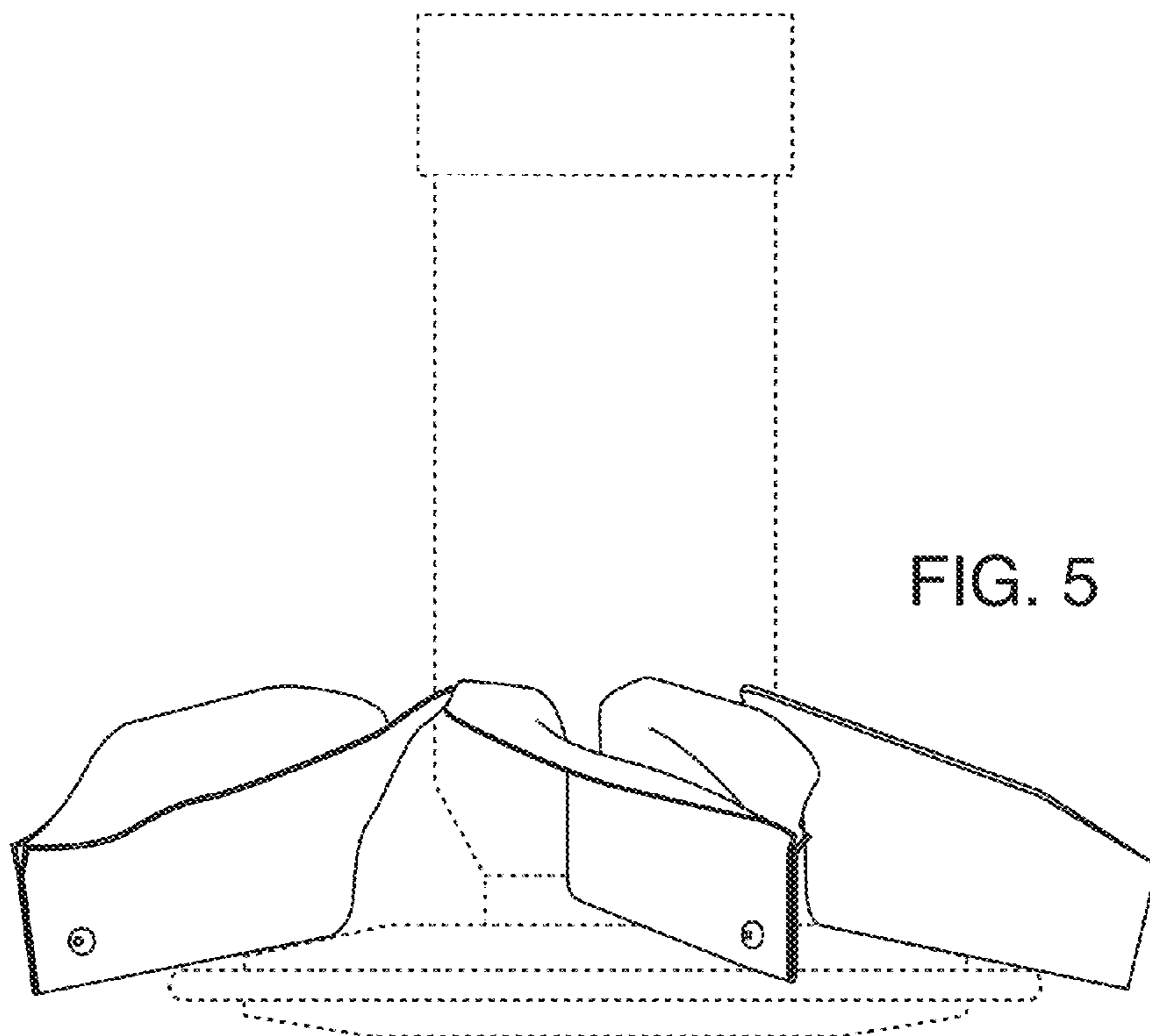
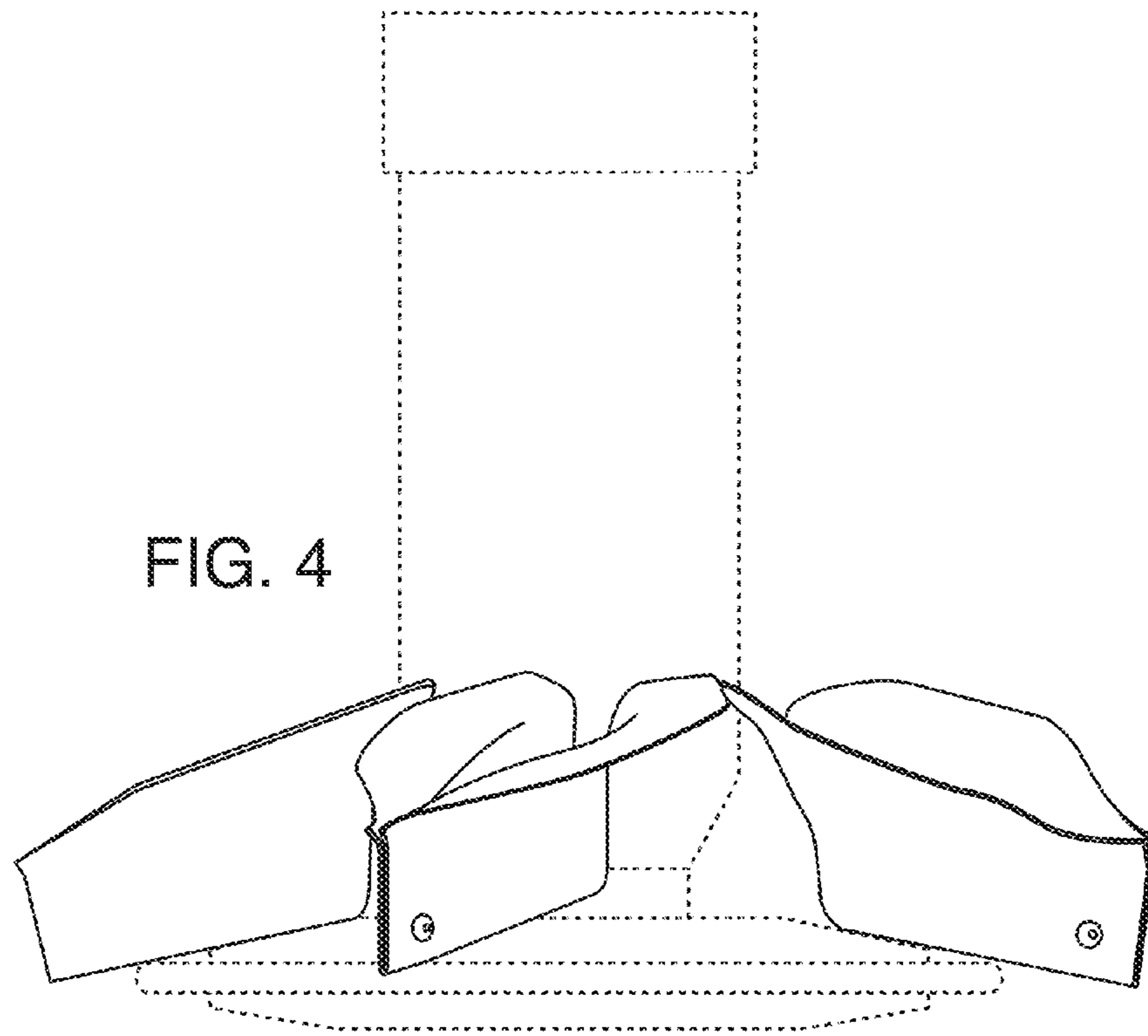


FIG. 1





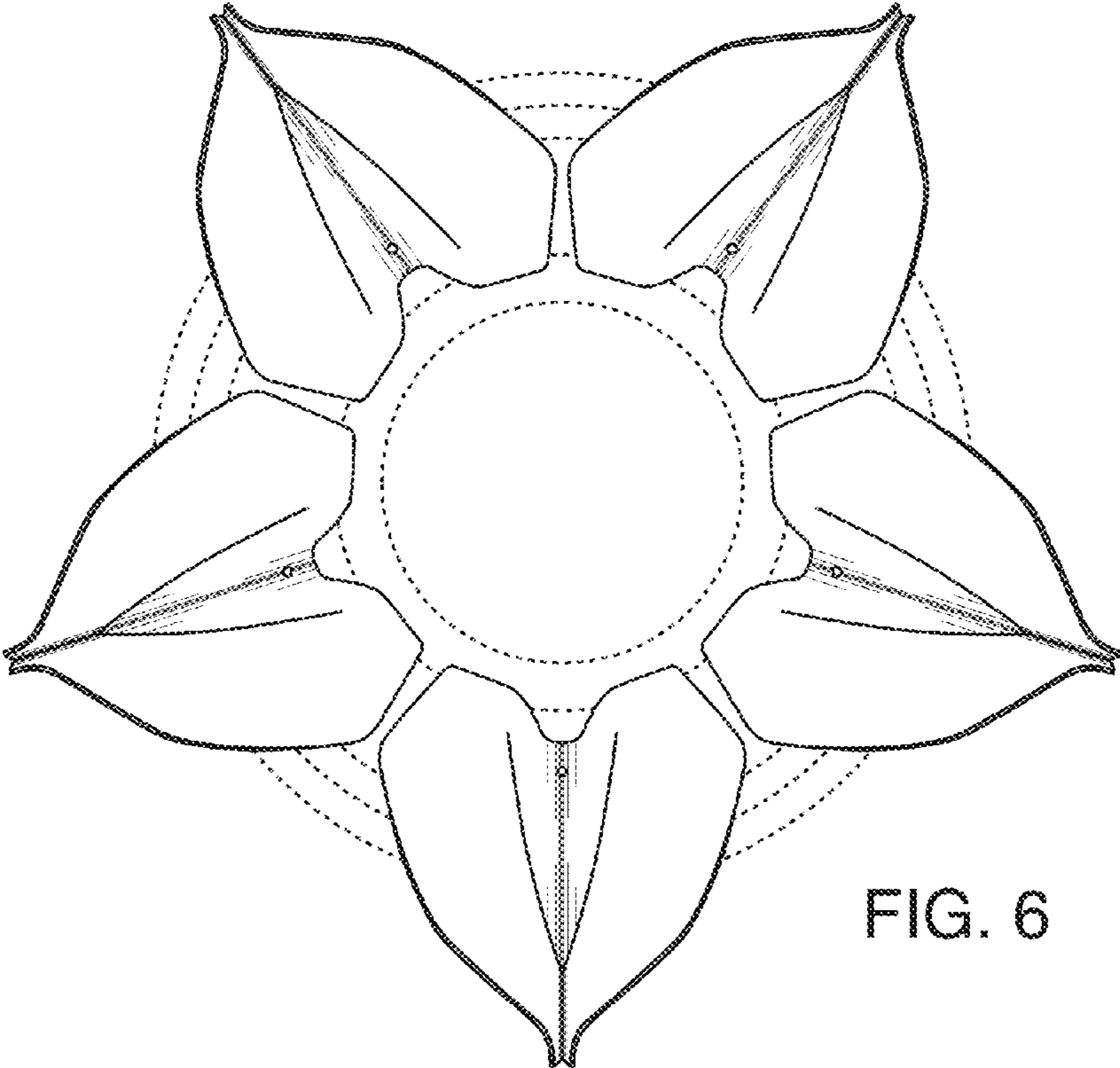


FIG. 6

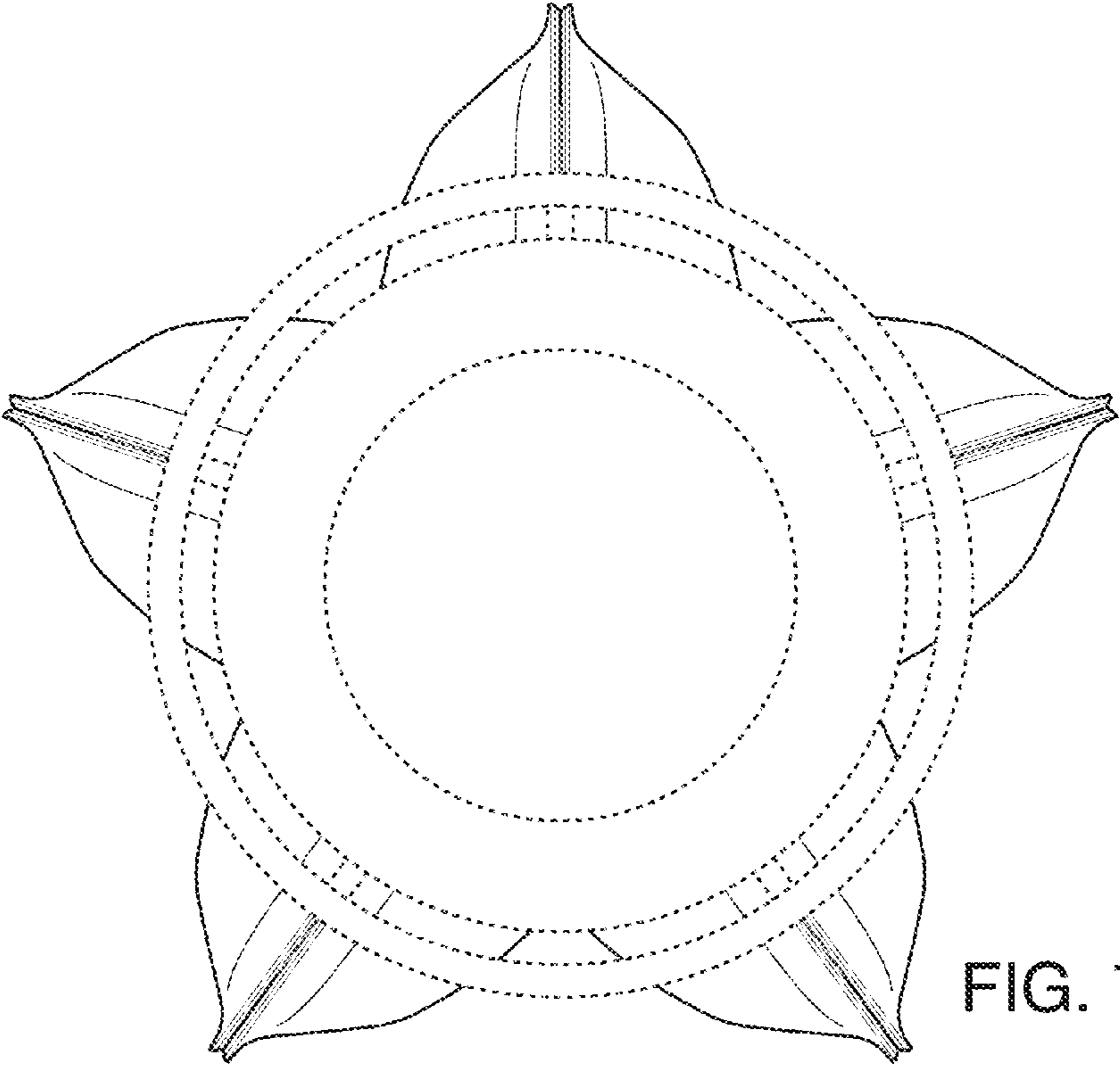


FIG. 7

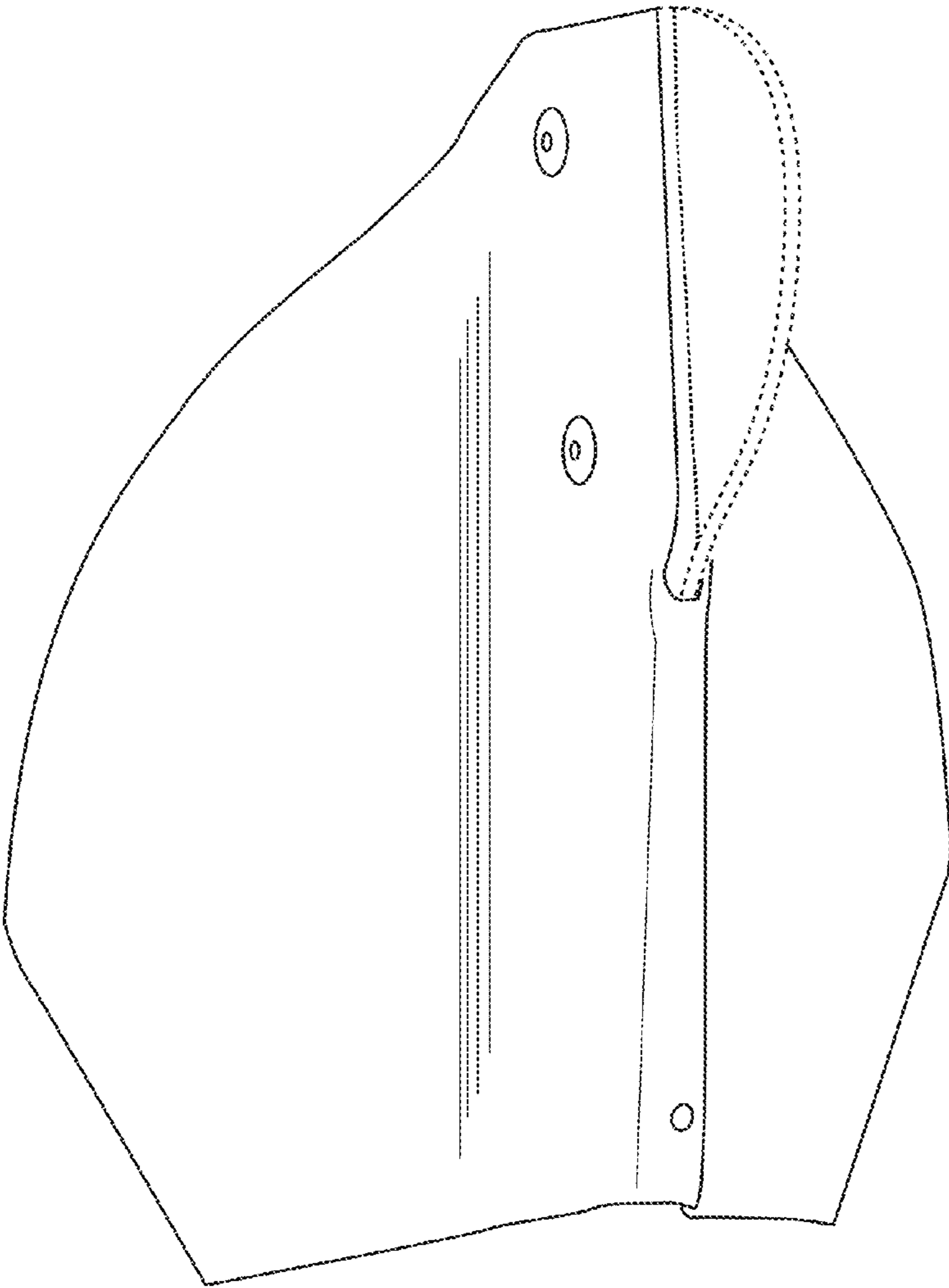


FIG. 8