



US00D709239S

(12) **United States Design Patent**  
**Tsai**

(10) **Patent No.:** **US D709,239 S**

(45) **Date of Patent:** **\*\* Jul. 15, 2014**

(54) **LAVA LAMP HOLDER**

(71) Applicant: **Chien-Tsai Tsai**, New Taipei (TW)

(72) Inventor: **Chien-Tsai Tsai**, New Taipei (TW)

(73) Assignee: **Su-Fang Ho**, New Taipei (TW)

(\*\*) Term: **14 Years**

(21) Appl. No.: **29/432,679**

(22) Filed: **Sep. 19, 2012**

(51) **LOC (10) Cl.** ..... **26-03**

(52) **U.S. Cl.**  
USPC ..... **D26/104**

(58) **Field of Classification Search**  
CPC ..... F21S 10/00; F21S 10/002; F21S 10/02  
USPC ..... D25/93, 94, 95, 104, 106, 107;  
362/154, 257, 317-318, 351, 362, 364,  
362/811, 806  
See application file for complete search history.

(56) **References Cited**

**U.S. PATENT DOCUMENTS**

D240,761 S \* 7/1976 Medford et al. .... D26/106  
D359,377 S \* 6/1995 Barnes ..... D26/106

D370,290 S \* 5/1996 Papillon ..... D26/106  
D498,324 S \* 11/2004 Dolan ..... D26/106  
D509,316 S \* 9/2005 Solari et al. .... D26/104  
D510,639 S \* 10/2005 Brady ..... D26/106  
D612,092 S \* 3/2010 Finkle ..... D26/104  
D626,280 S \* 10/2010 Feigenbaum ..... D26/104

\* cited by examiner

*Primary Examiner* — Brian N Vinson

(74) *Attorney, Agent, or Firm* — Rosenberg, Klein & Lee

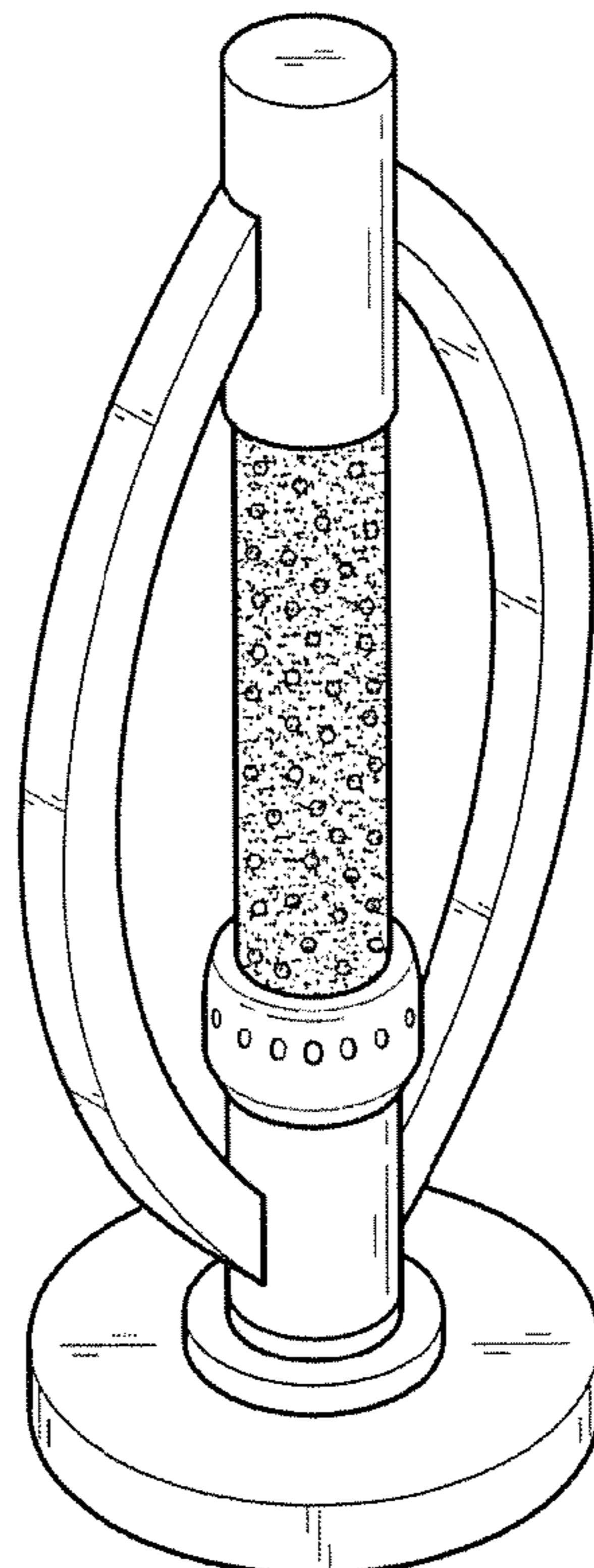
(57) **CLAIM**

The ornamental design for a lava lamp holder, as shown and described.

**DESCRIPTION**

FIG. 1 is a right side perspective view of a lava lamp holder showing my new design;  
FIG. 2 is a front view thereof, a rear view being a mirror image thereof;  
FIG. 3 is a left side elevational view thereof, a right side elevational view being a mirror image thereof;  
FIG. 4 is a top plan elevational view thereof; and,  
FIG. 5 is a bottom plan elevational view thereof.

**1 Claim, 3 Drawing Sheets**



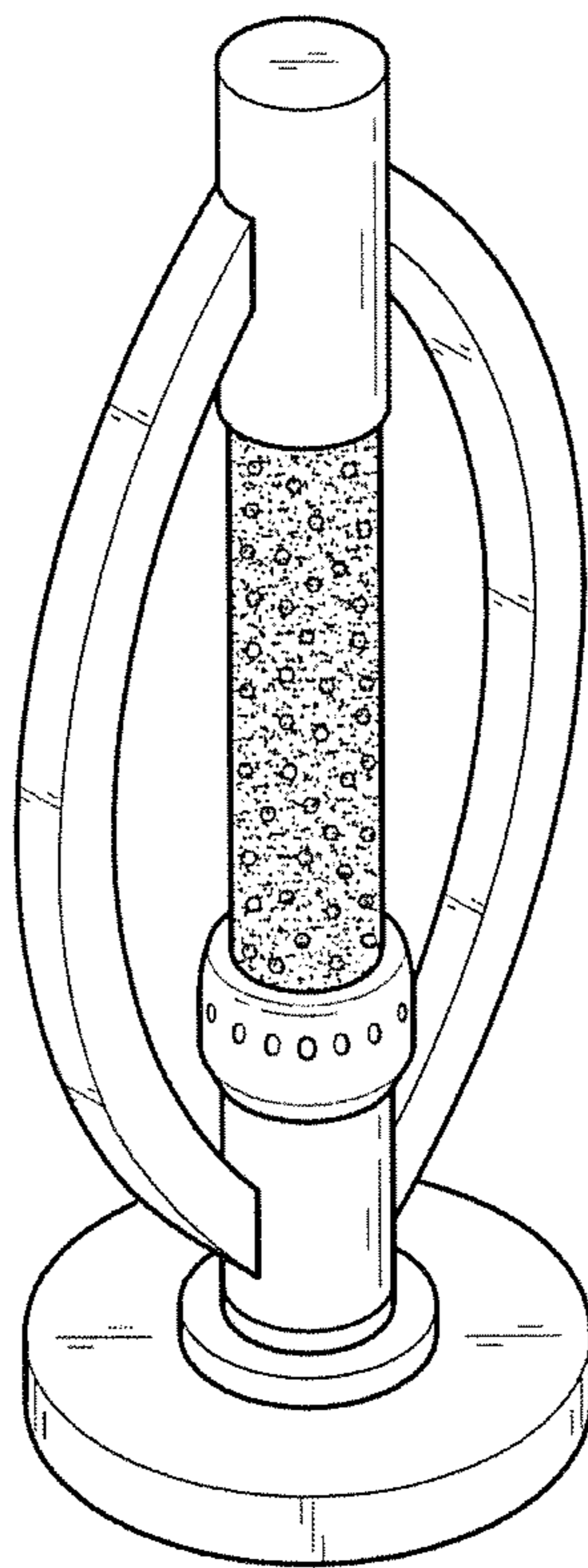


FIG. 1

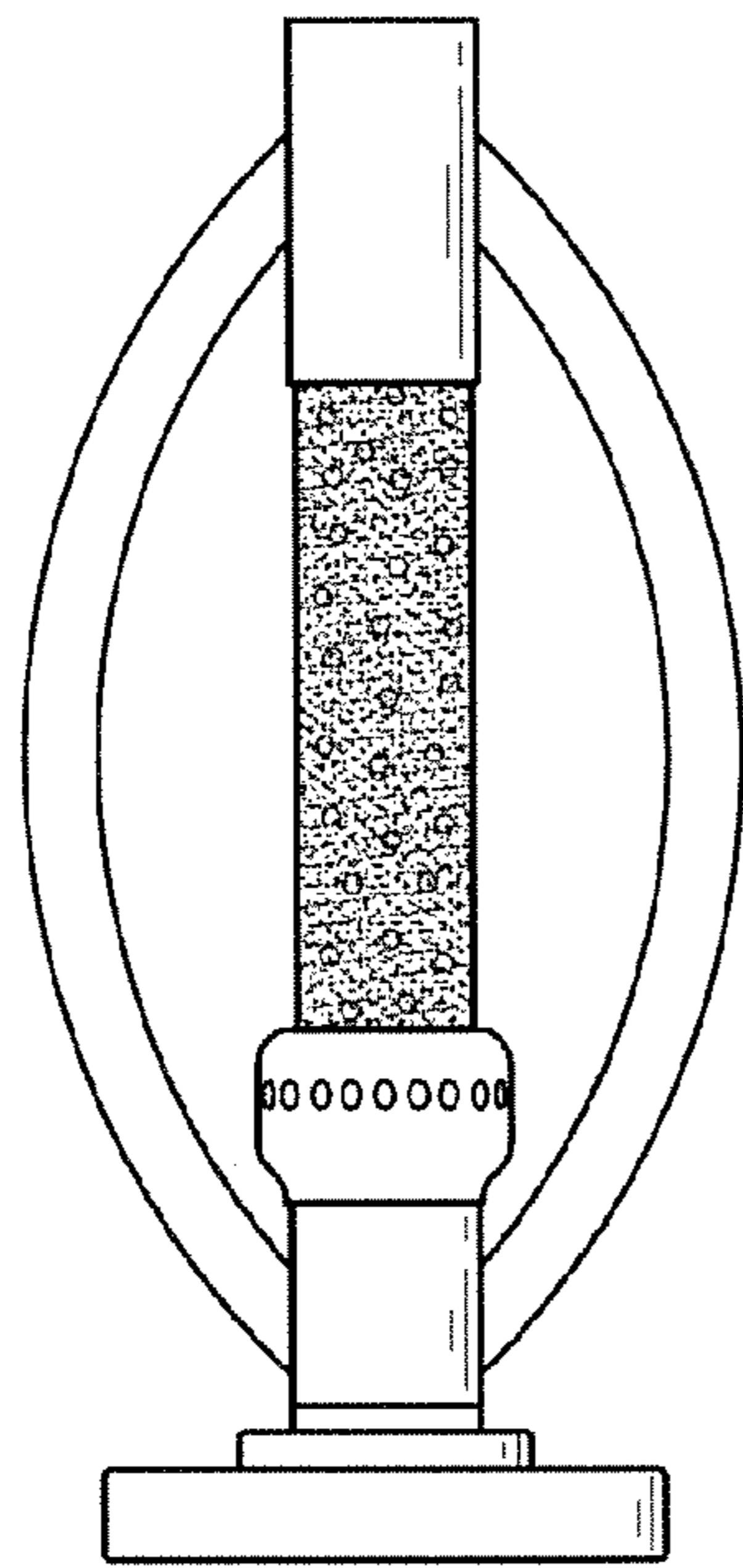


FIG. 2

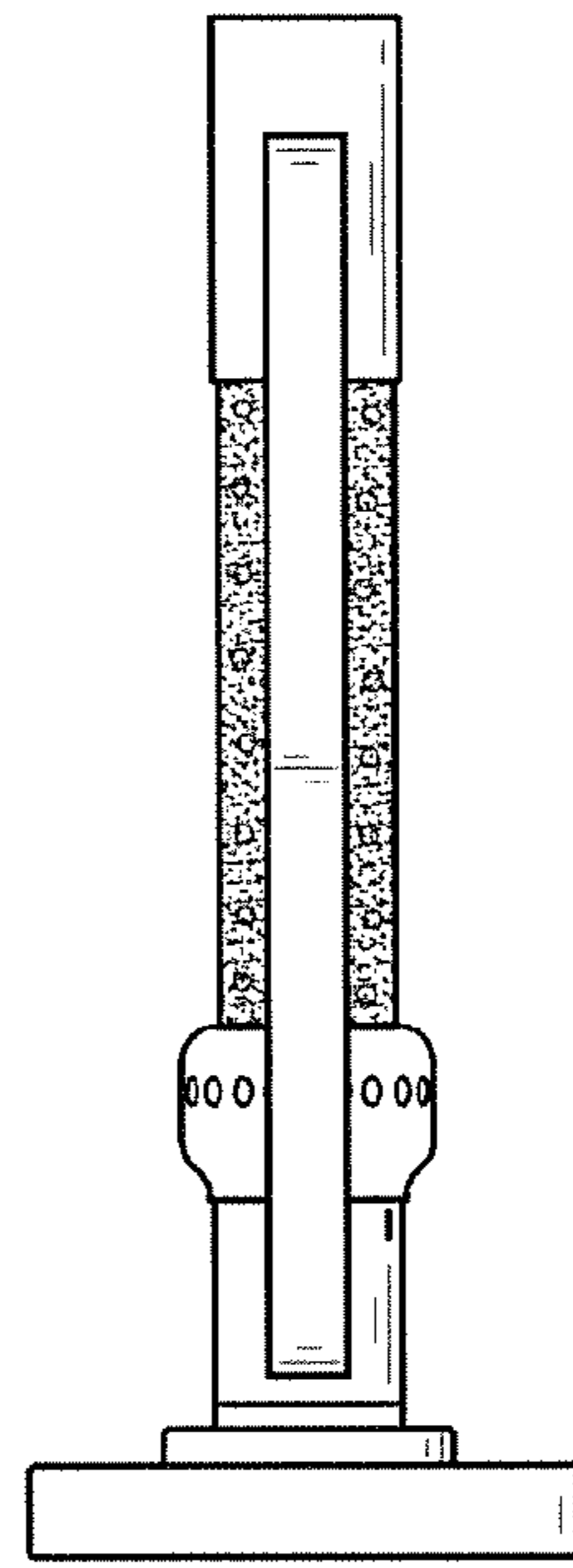


FIG. 3

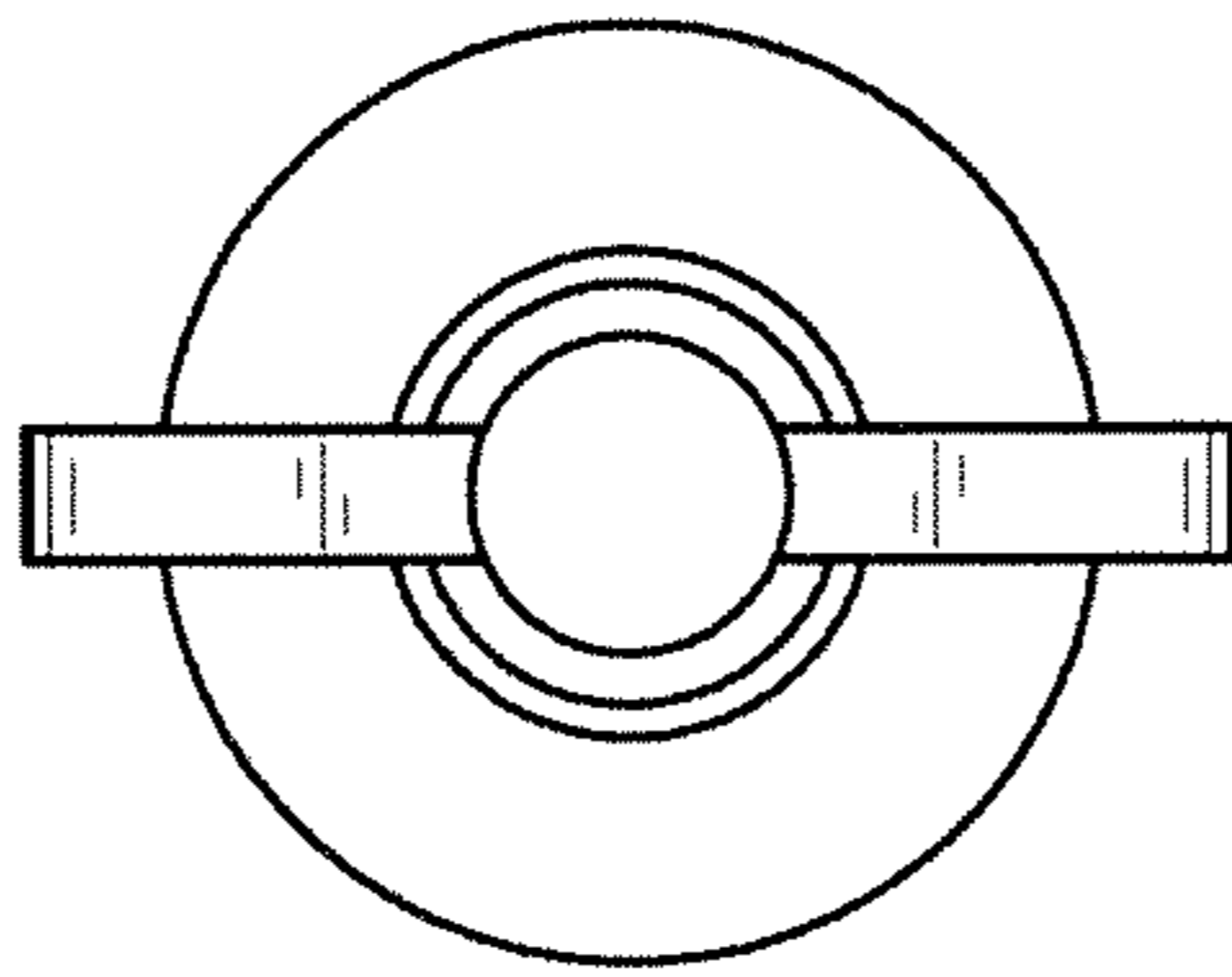


FIG.4

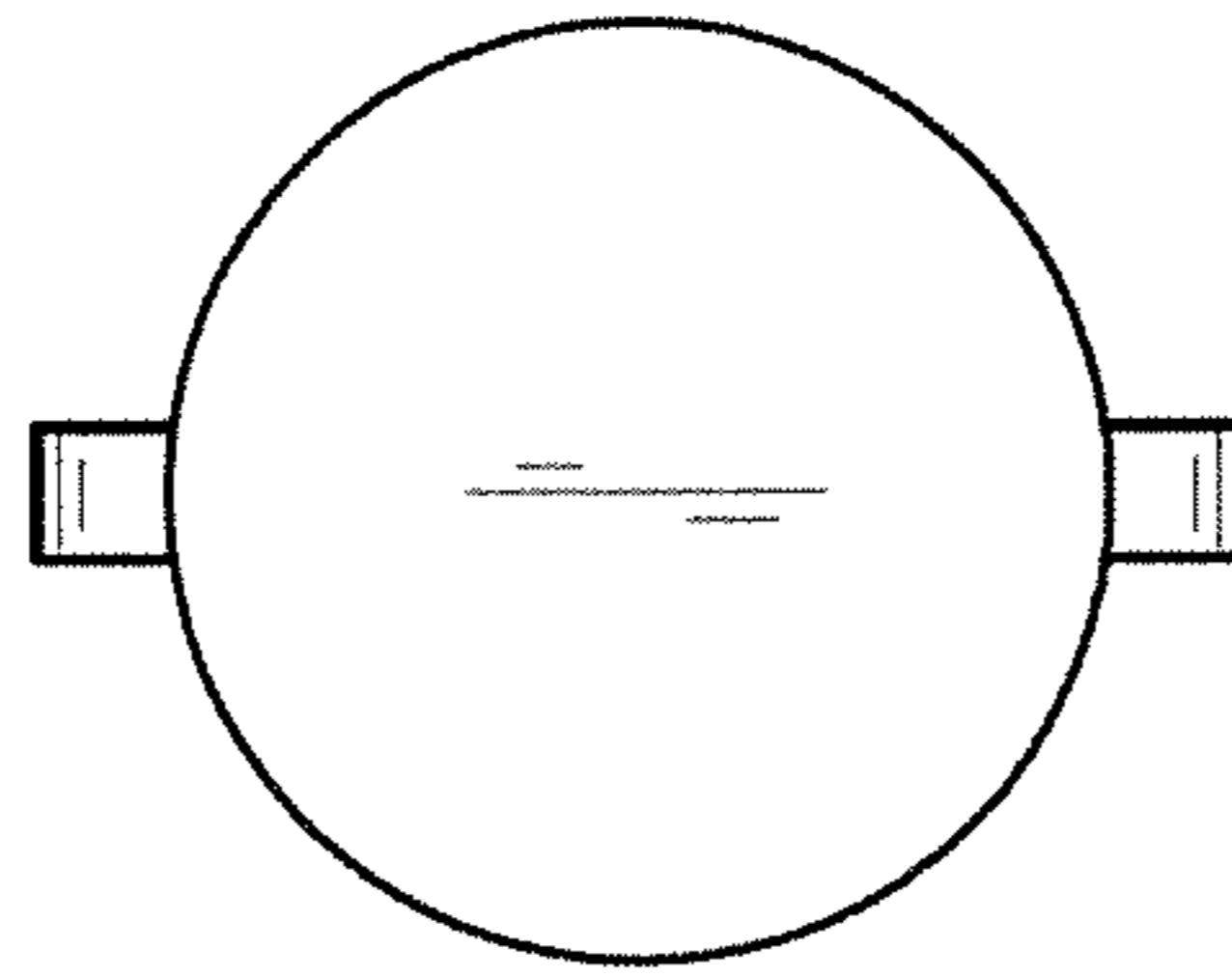


FIG.5