



US00D709238S

(12) **United States Design Patent**
May

(10) **Patent No.:** **US D709,238 S**
(45) **Date of Patent:** **** Jul. 15, 2014**

- (54) **LINEAR LIGHTING APPARATUS**
- (71) Applicant: **Richard L. May**, Hardwick, MA (US)
- (72) Inventor: **Richard L. May**, Hardwick, MA (US)
- (**) Term: **14 Years**
- (21) Appl. No.: **29/469,886**
- (22) Filed: **Oct. 15, 2013**
- (51) **LOC (10) Cl.** **26-05**
- (52) **U.S. Cl.**
USPC **D26/72**
- (58) **Field of Classification Search**
CPC F21S 4/00; F21S 8/00; F21W 2131/3005;
F21W 2131/304; F21W 2131/308; F21W
2131/405
USPC D26/51, 56, 72, 75-78, 80, 92, 118;
362/98, 147, 217.01, 218, 219, 222,
362/223, 260, 294, 373
See application file for complete search history.

(56) **References Cited**

U.S. PATENT DOCUMENTS

2,318,716	A *	5/1943	Rolph	362/223
D452,579	S *	12/2001	Shemitz et al.	D26/76
D463,879	S *	10/2002	Mier-Langner et al.	D26/77
D500,884	S *	1/2005	O'Rourke	D26/77
D589,199	S *	3/2009	Pedersen	D26/85

D607,599	S *	1/2010	Zhou et al.	D26/80
D638,566	S *	5/2011	Goelz et al.	D26/75
D649,281	S *	11/2011	Sabernig	D26/90
8,066,404	B2 *	11/2011	Song et al.	362/219
8,157,420	B2 *	4/2012	Song et al.	362/294
D663,065	S *	7/2012	Beghelli	D26/76
D670,851	S *	11/2012	Tsai	D26/76
D697,247	S *	1/2014	Mollaghaffari	D26/76

* cited by examiner

Primary Examiner — Clare E Heflin

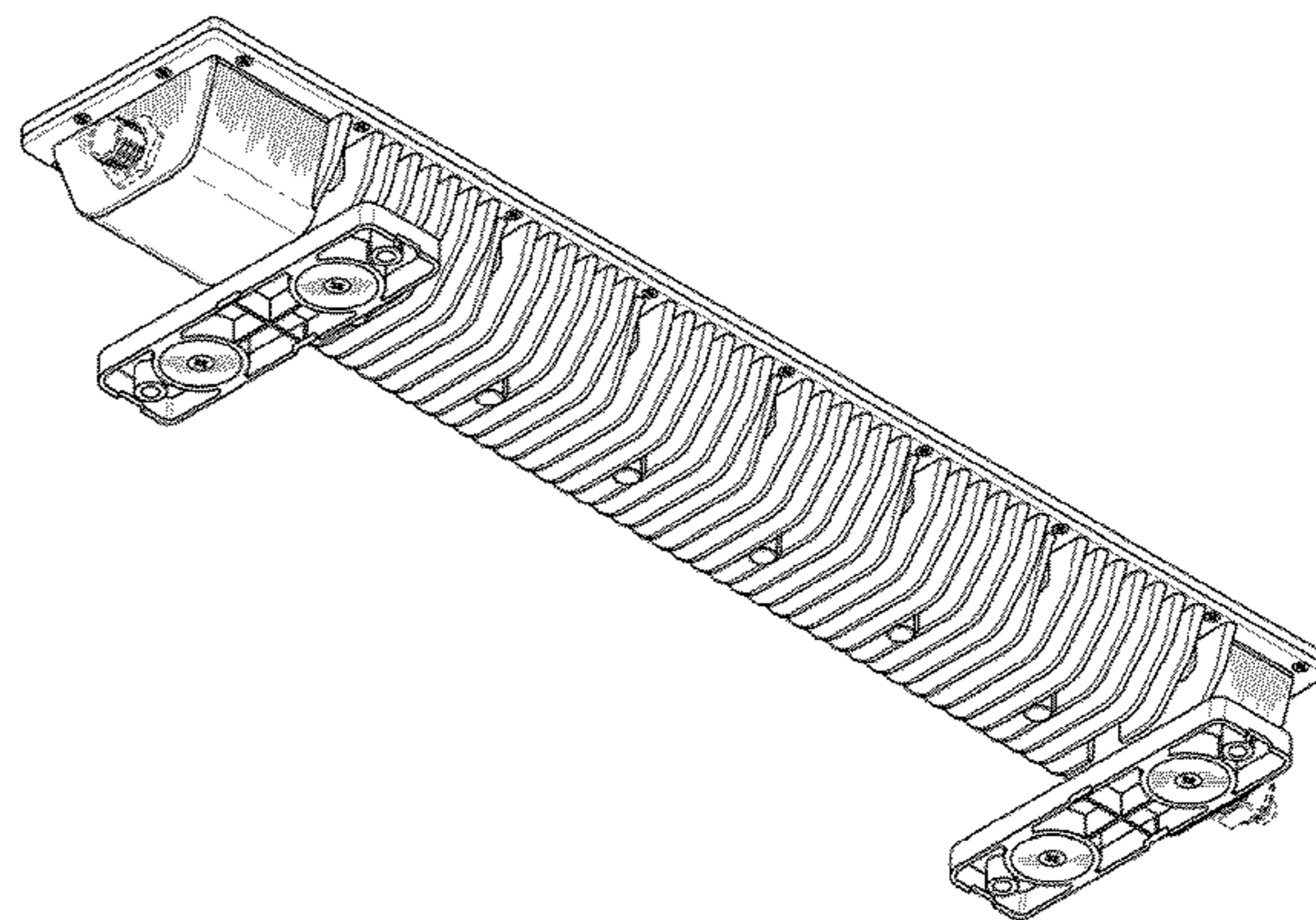
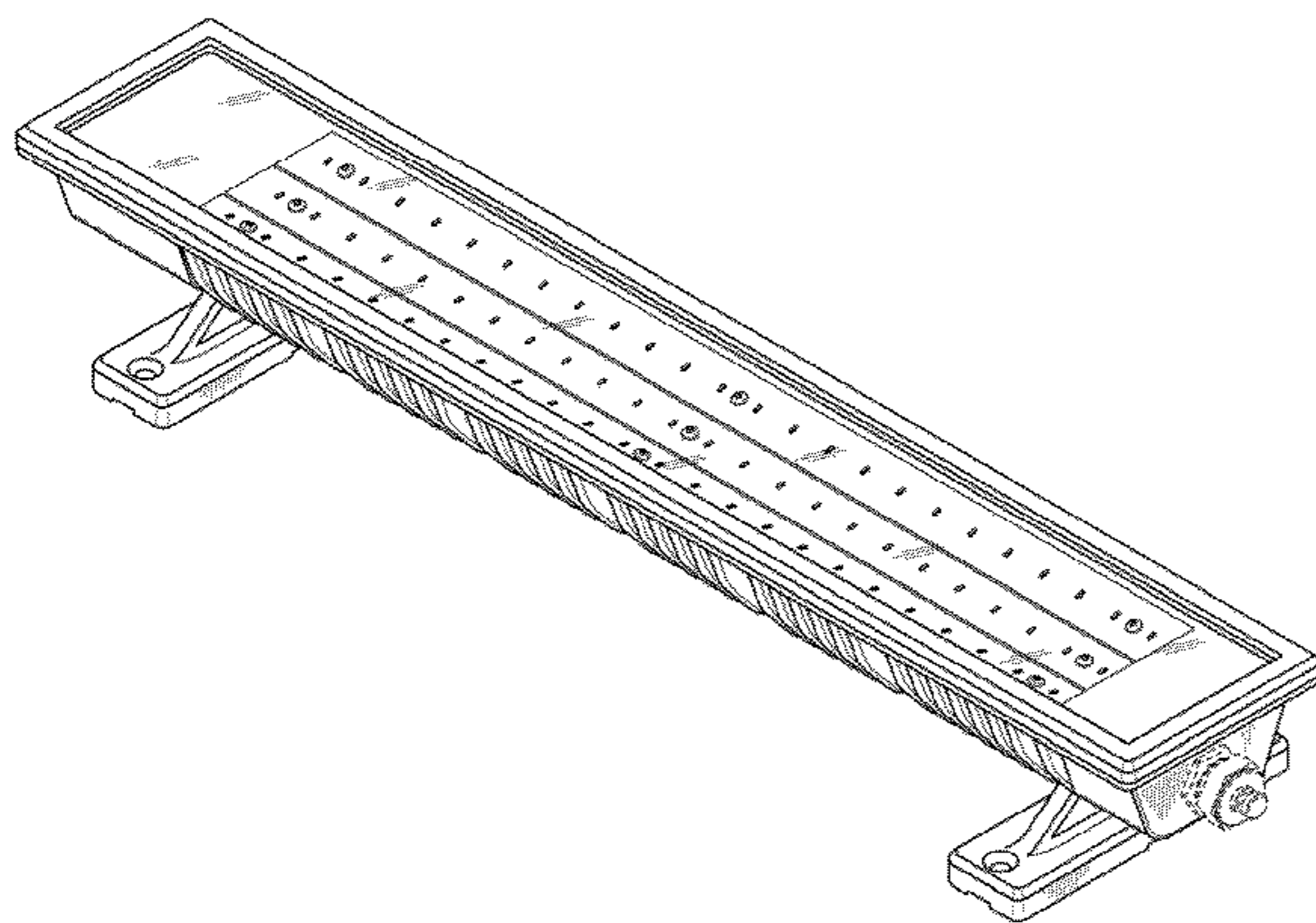
(57) **CLAIM**

The ornamental design for a linear lighting apparatus, substantially as shown and described.

DESCRIPTION

FIG. 1 is as top perspective view of the linear lighting apparatus employing my new design;
 FIG. 2 is a bottom perspective view of FIG. 1;
 FIG. 3 is a top view of FIG. 1;
 FIG. 4 is a bottom view of FIG. 1
 FIG. 5 is a left side view of FIG. 1, with the opposite side being a mirror image of thereof;
 FIG. 6 is a front end view of FIG. 1; and,
 FIG. 7 is a rear end view of FIG. 1.
 The broken line showing of environment in the drawings is included for the purpose of illustrating only and forms no part of the claimed design.

1 Claim, 3 Drawing Sheets



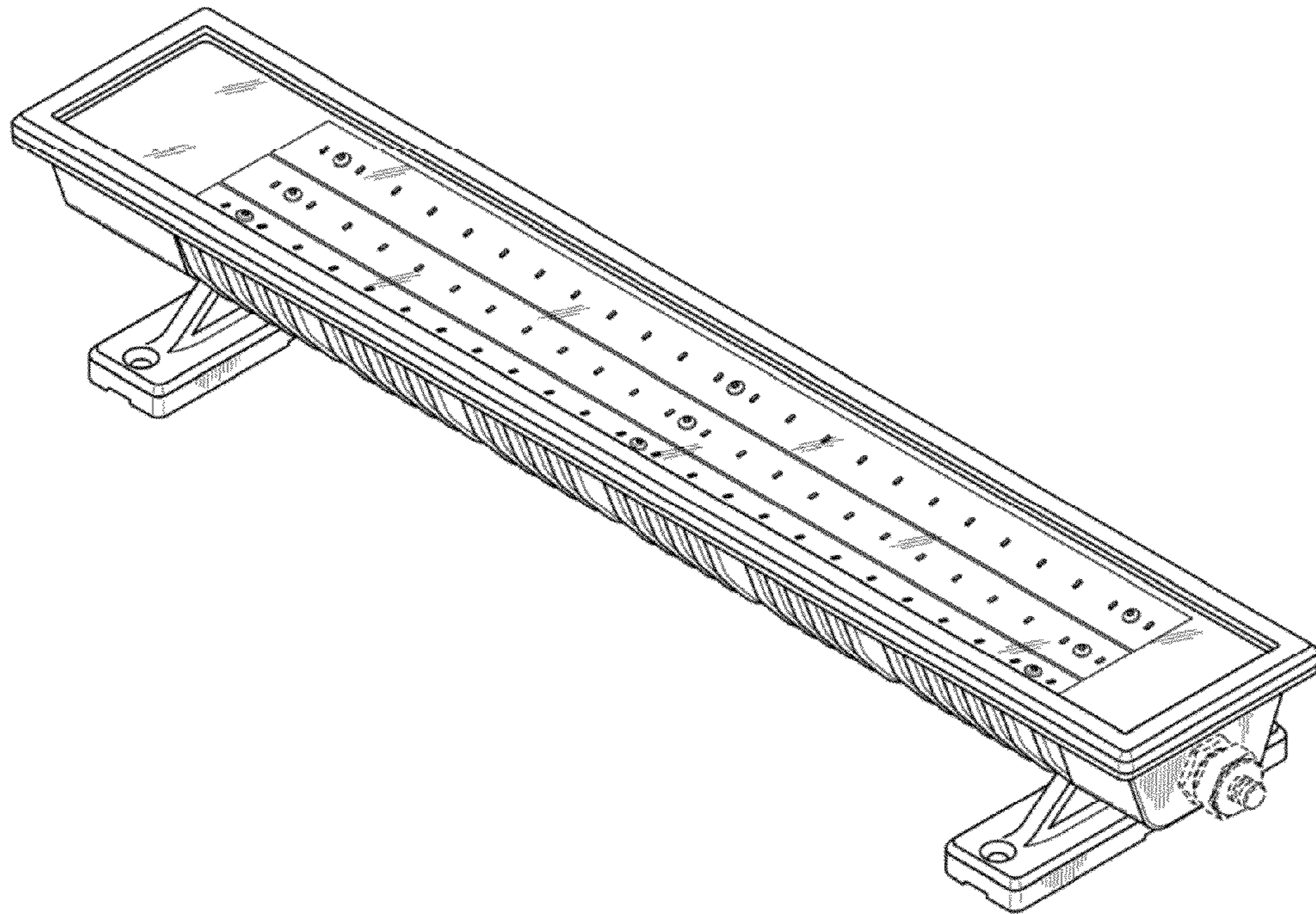


FIG. 1

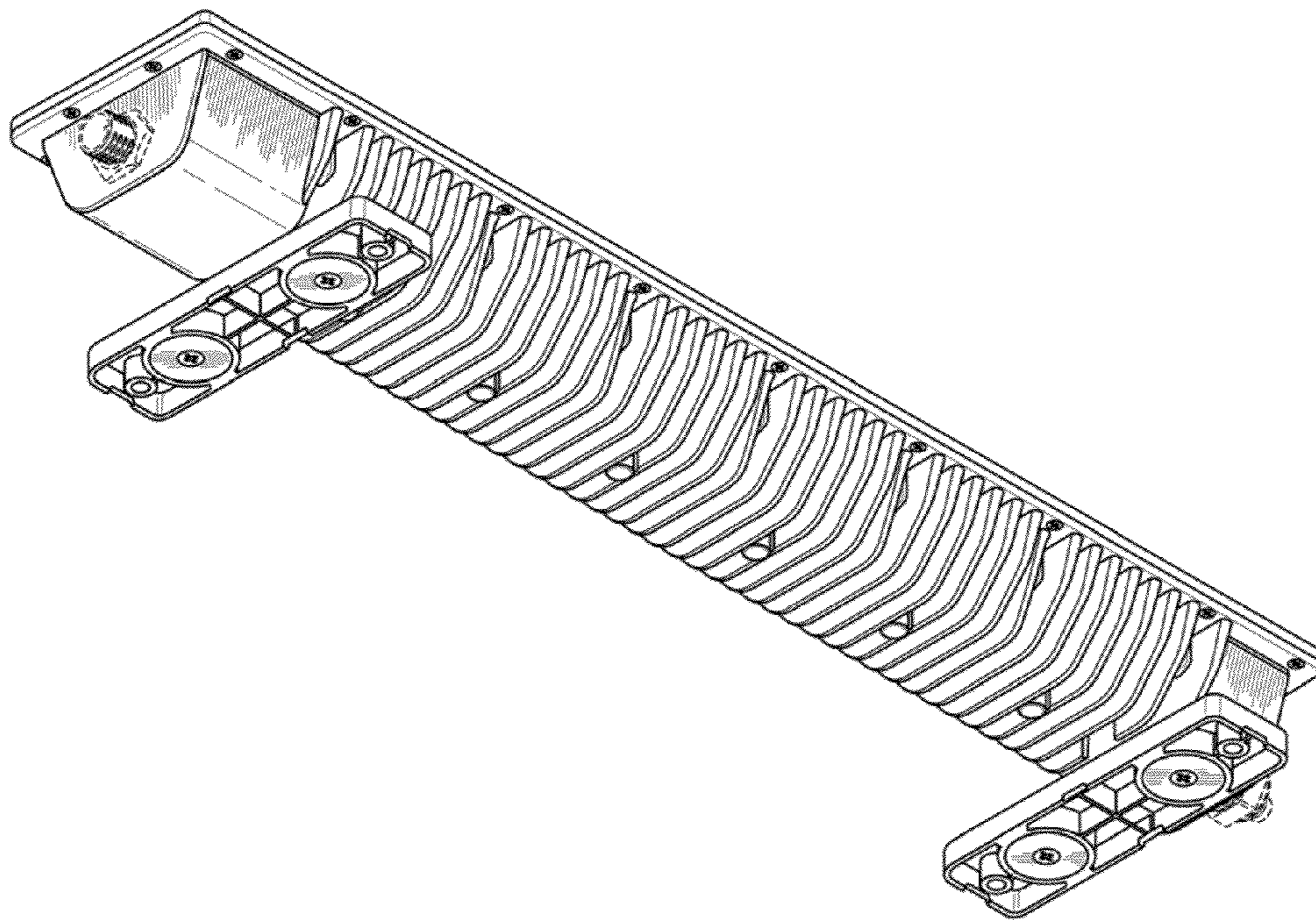


FIG. 2

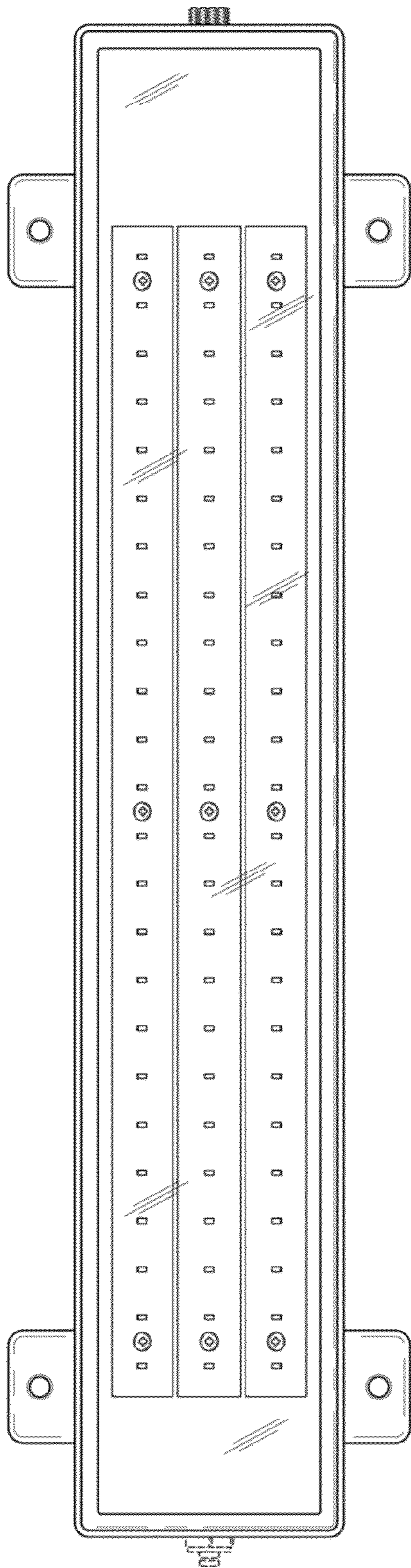


FIG. 3

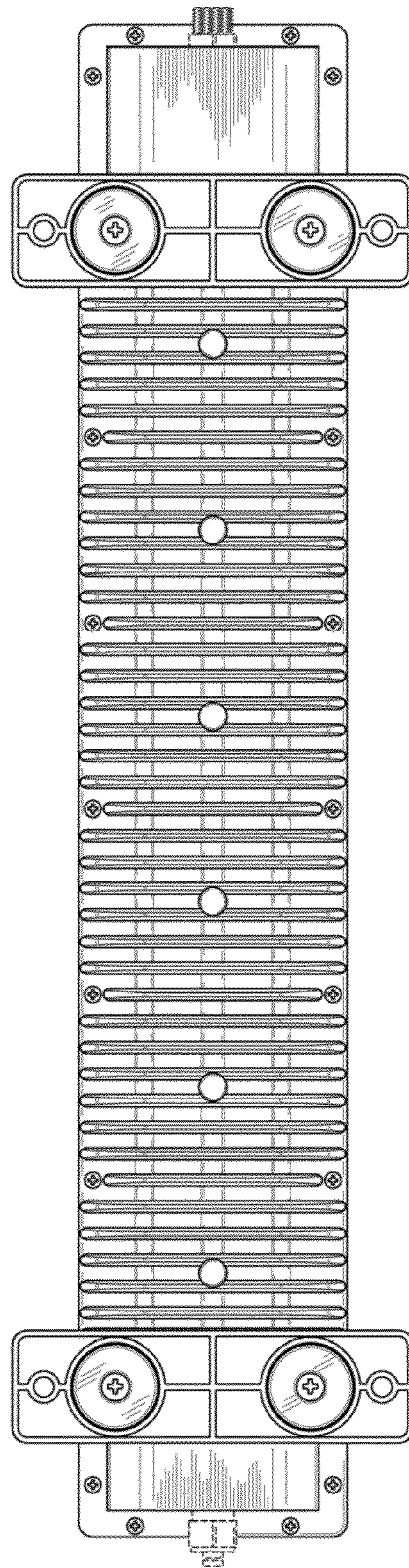


FIG. 4

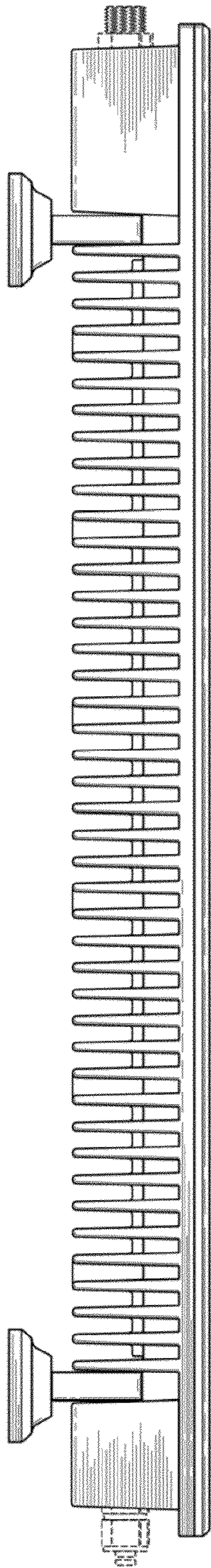


FIG. 5

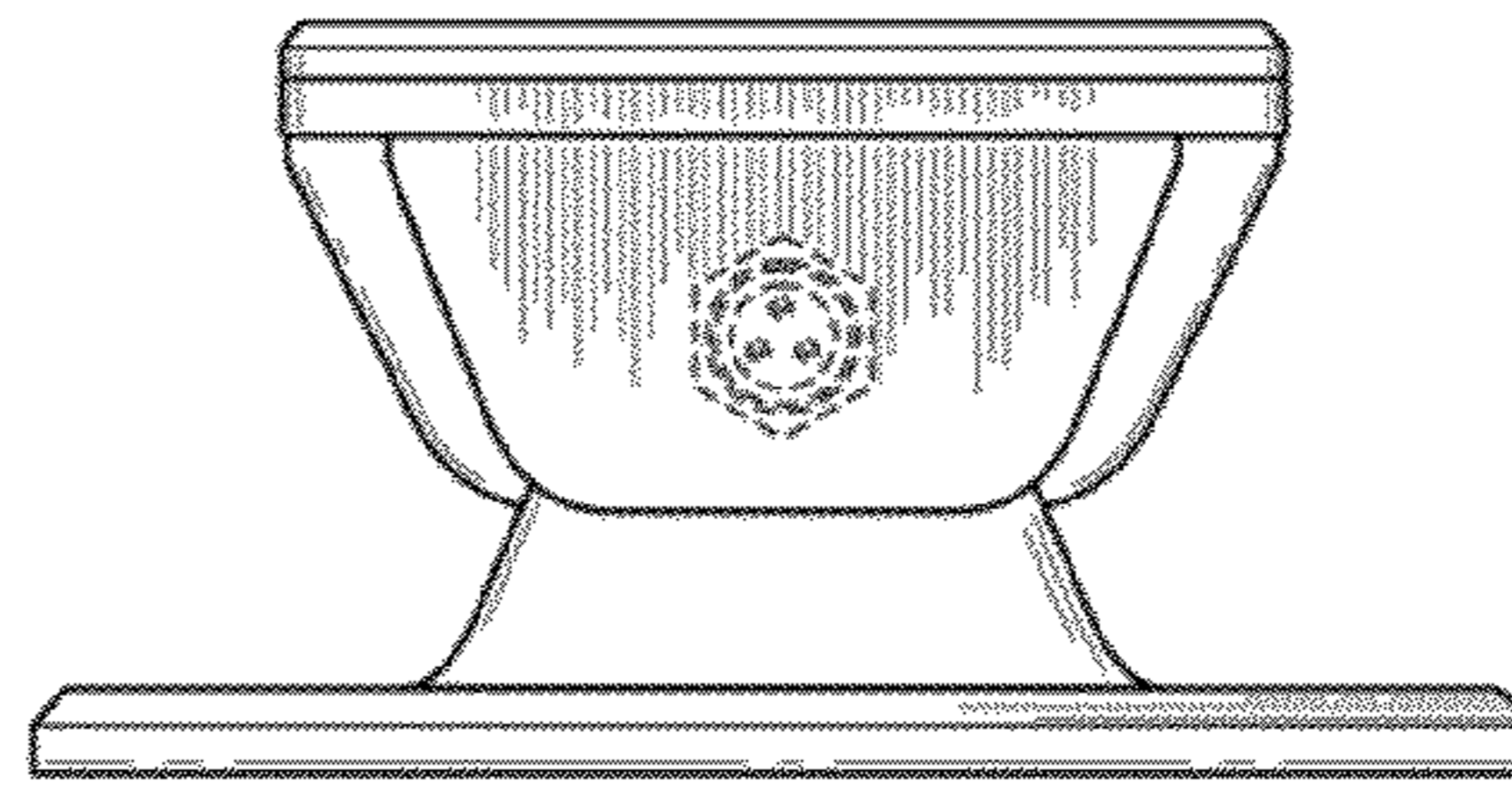


FIG. 6

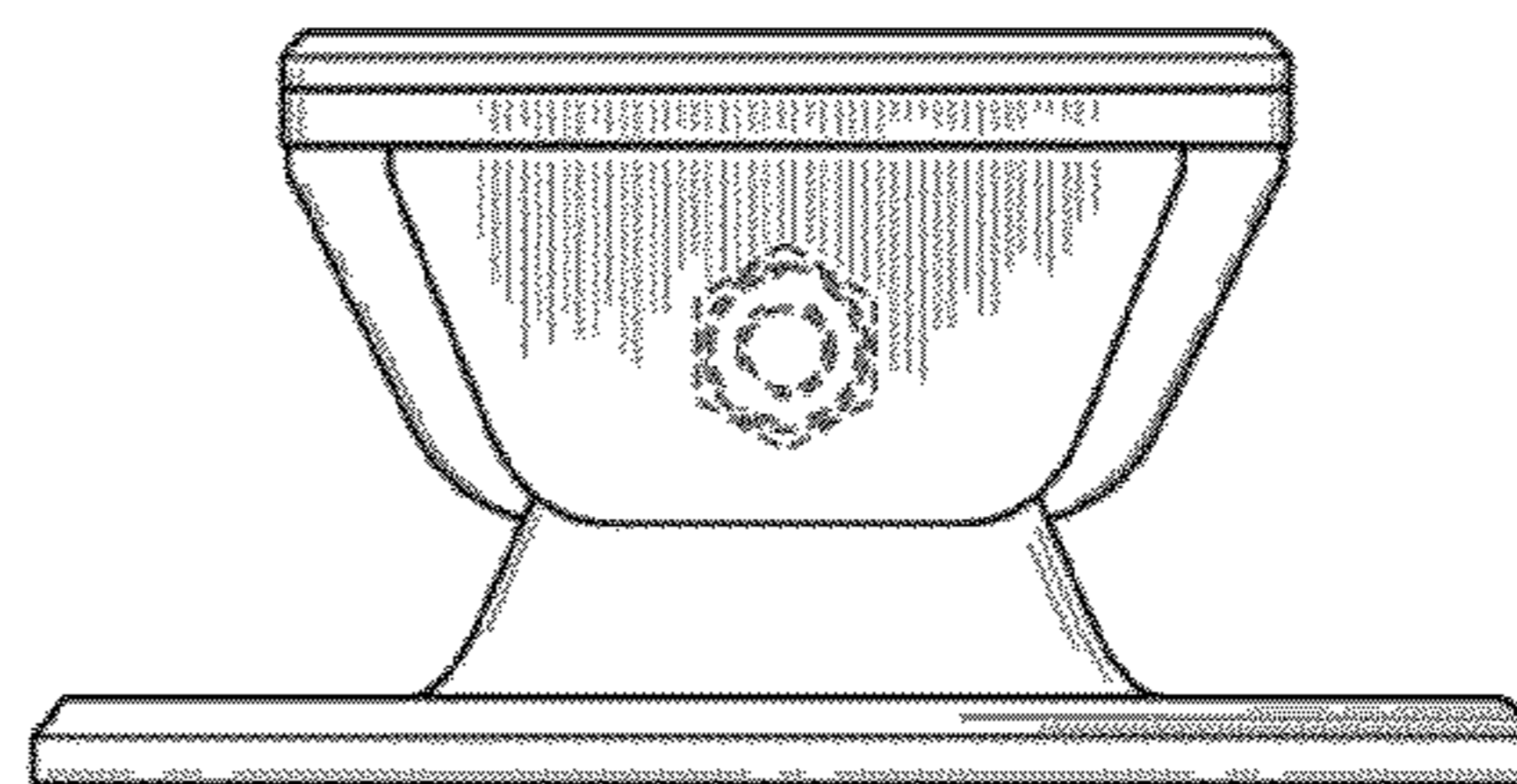


FIG. 7