



US00D709237S

(12) **United States Design Patent**
Ni

(10) **Patent No.:** **US D709,237 S**

(45) **Date of Patent:** **** Jul. 15, 2014**

(54) **STREET LIGHT**

(71) Applicant: **Tian Jin ATG Electronics Co., Ltd.**,
Tianjin (CN)

(72) Inventor: **Yaxi Ni**, Rancho Cucamonga, CA (US)

(73) Assignee: **Tian Jin ATG Electronics Co., Ltd.**,
Tianjin (CN)

(**) Term: **14 Years**

(21) Appl. No.: **29/475,168**

(22) Filed: **Nov. 30, 2013**

(51) **LOC (10) Cl.** **26-05**

(52) **U.S. Cl.**
USPC **D26/71**

(58) **Field of Classification Search**
CPC F21S 8/085; F21S 8/086; F21S 8/088;
F21V 21/14
USPC D26/67-71, 92; 362/249.01, 249.02,
362/235-237, 157
See application file for complete search history.

(56) **References Cited**

U.S. PATENT DOCUMENTS

D201,764 S * 7/1965 Mox D26/71
D209,081 S * 10/1967 Netland D26/71

D500,569 S * 1/2005 Butler D26/71
D569,540 S * 5/2008 Bourgeois et al. D26/85
D650,110 S * 12/2011 Zhu D26/71
D660,493 S * 5/2012 Janssen et al. D26/71
D662,243 S * 6/2012 Sinai et al. D26/71
D673,720 S * 1/2013 Bailey et al. D26/138
D676,589 S * 2/2013 Elam D26/71
D680,259 S * 4/2013 Ahrari et al. D26/92
8,573,818 B2 * 11/2013 Tu et al. 362/375
D695,437 S * 12/2013 Johnson et al. D26/71
8,651,693 B2 * 2/2014 Josefowicz et al. 362/235

* cited by examiner

Primary Examiner — Clare E Heflin

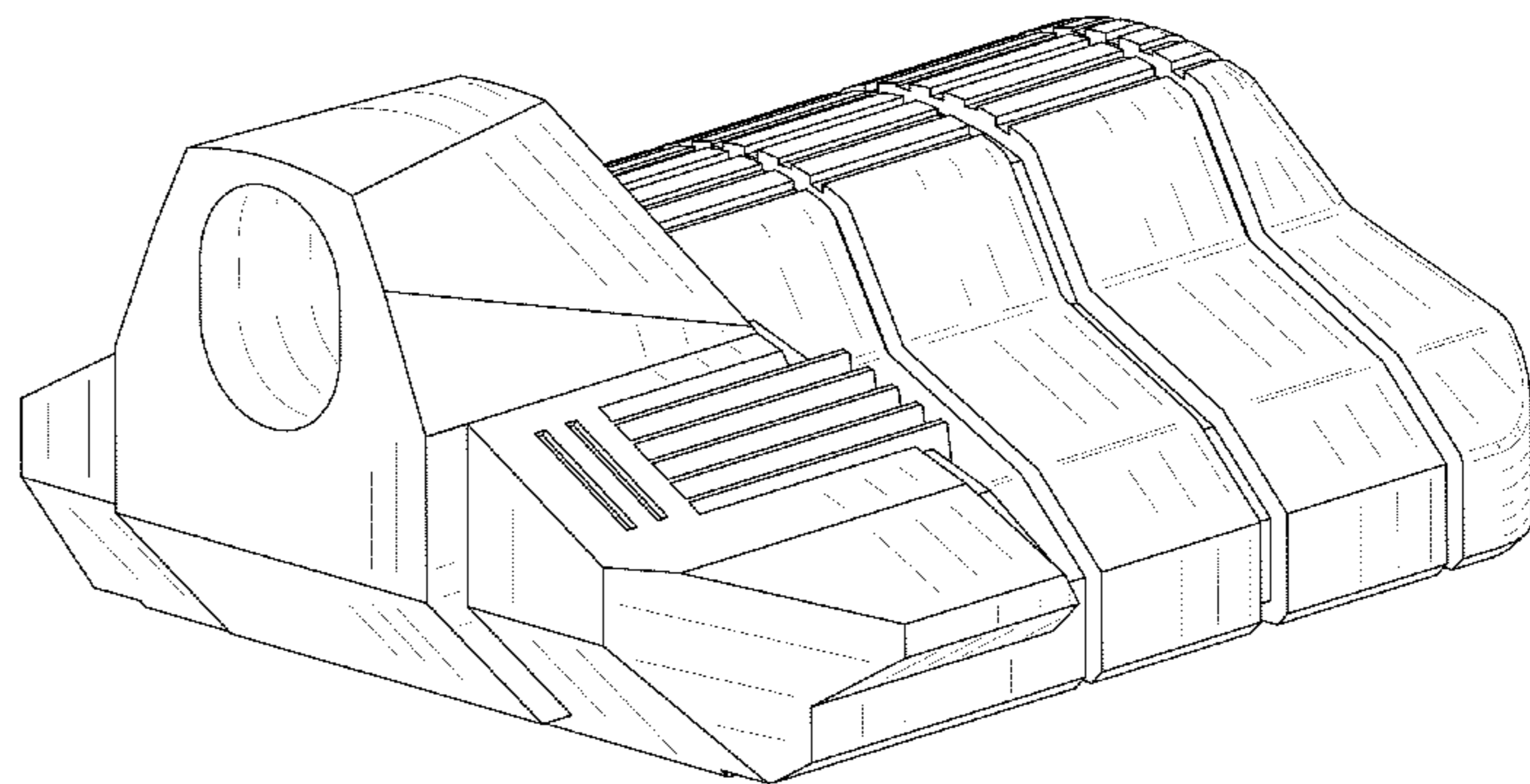
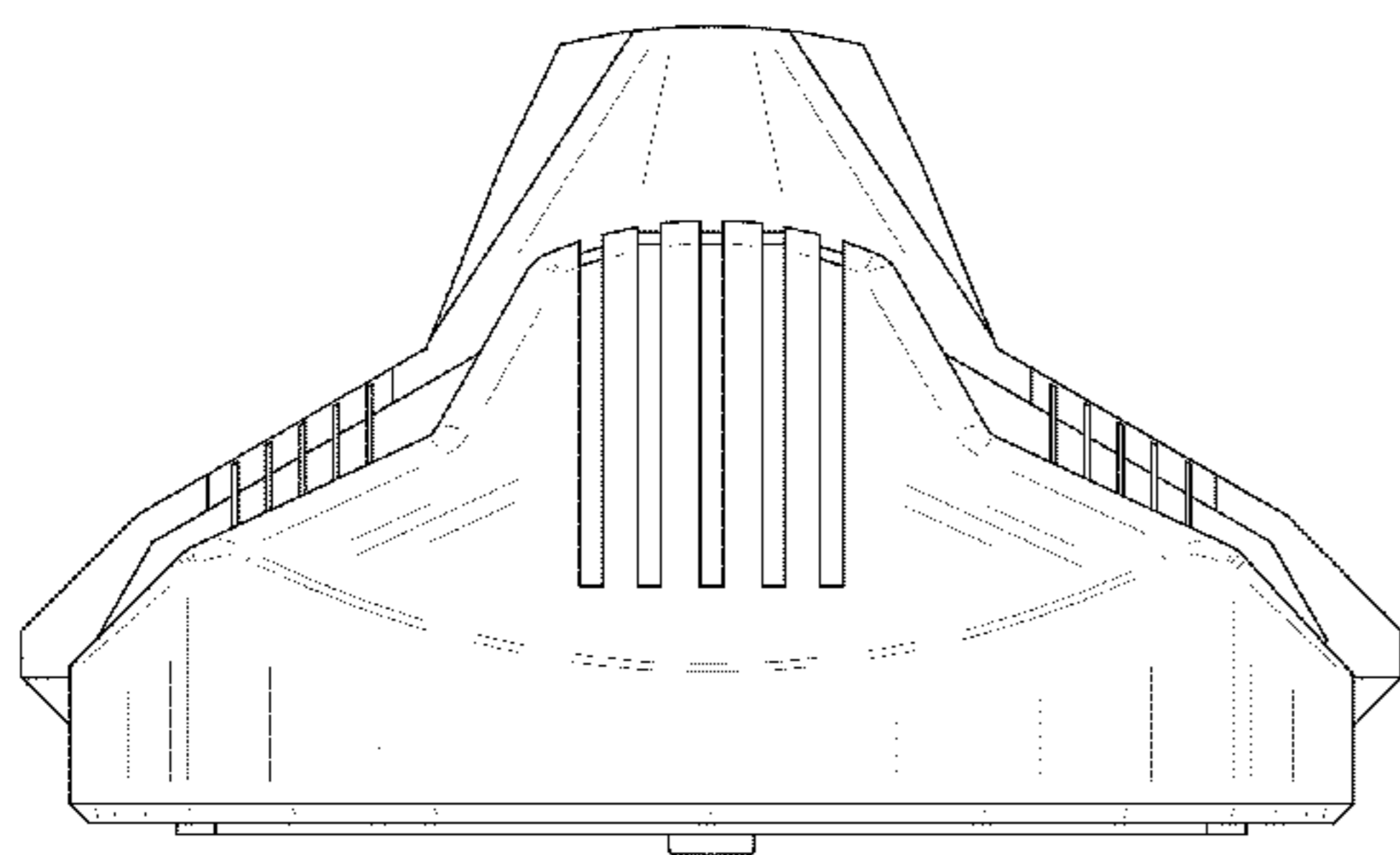
(57) **CLAIM**

The ornamental design for a street light, as shown and described.

DESCRIPTION

FIG. 1 is a top plan view of a street light, showing my new design;
FIG. 2 is a bottom plan view thereof;
FIG. 3 is a left side elevational view thereof;
FIG. 4 is a right side elevational view thereof;
FIG. 5 is a front elevational view thereof, and a rear elevational view thereof is a mirror image; and,
FIG. 6 is a perspective view thereof.

1 Claim, 6 Drawing Sheets



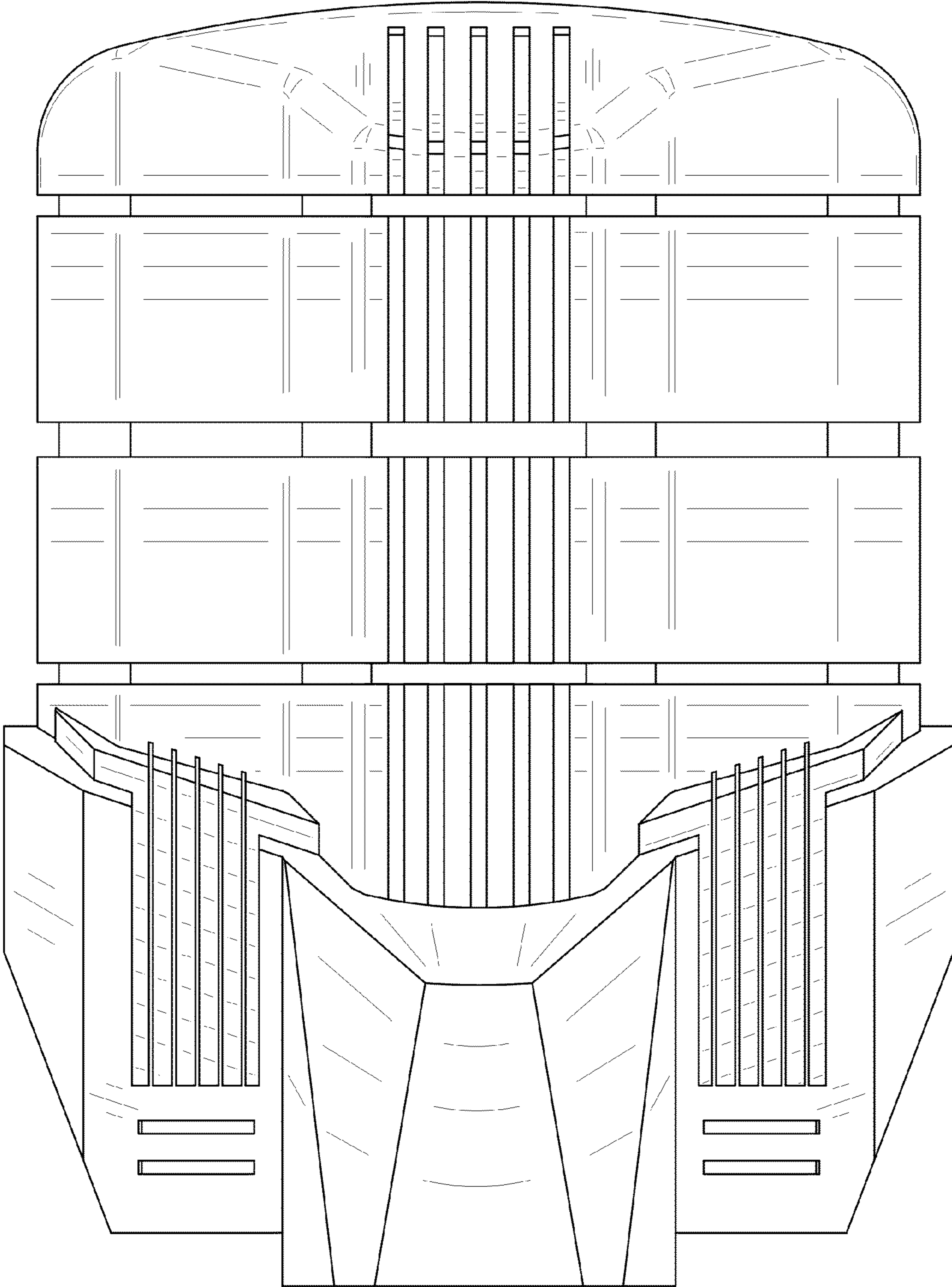


Fig. 1

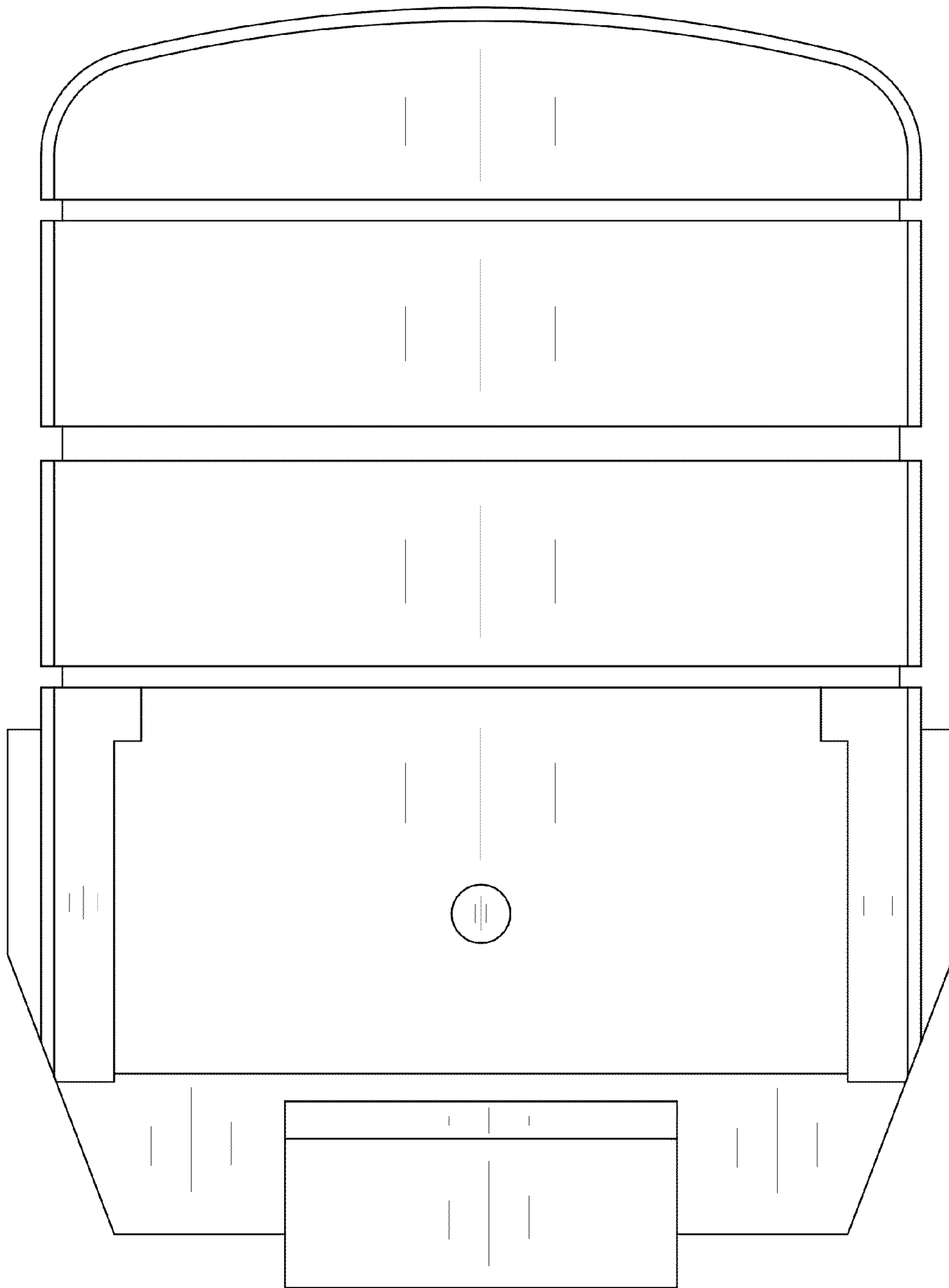


Fig. 2

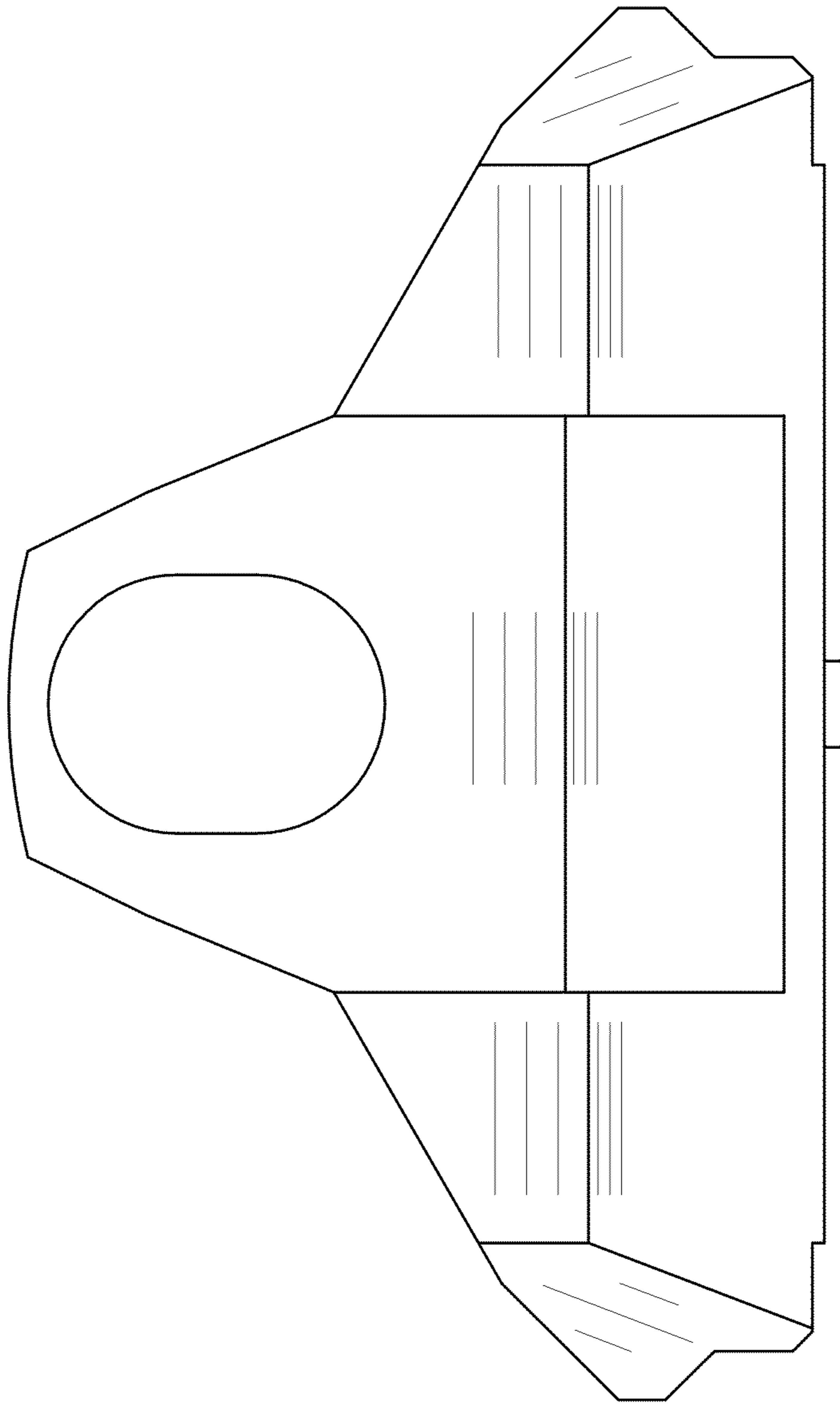


Fig. 3

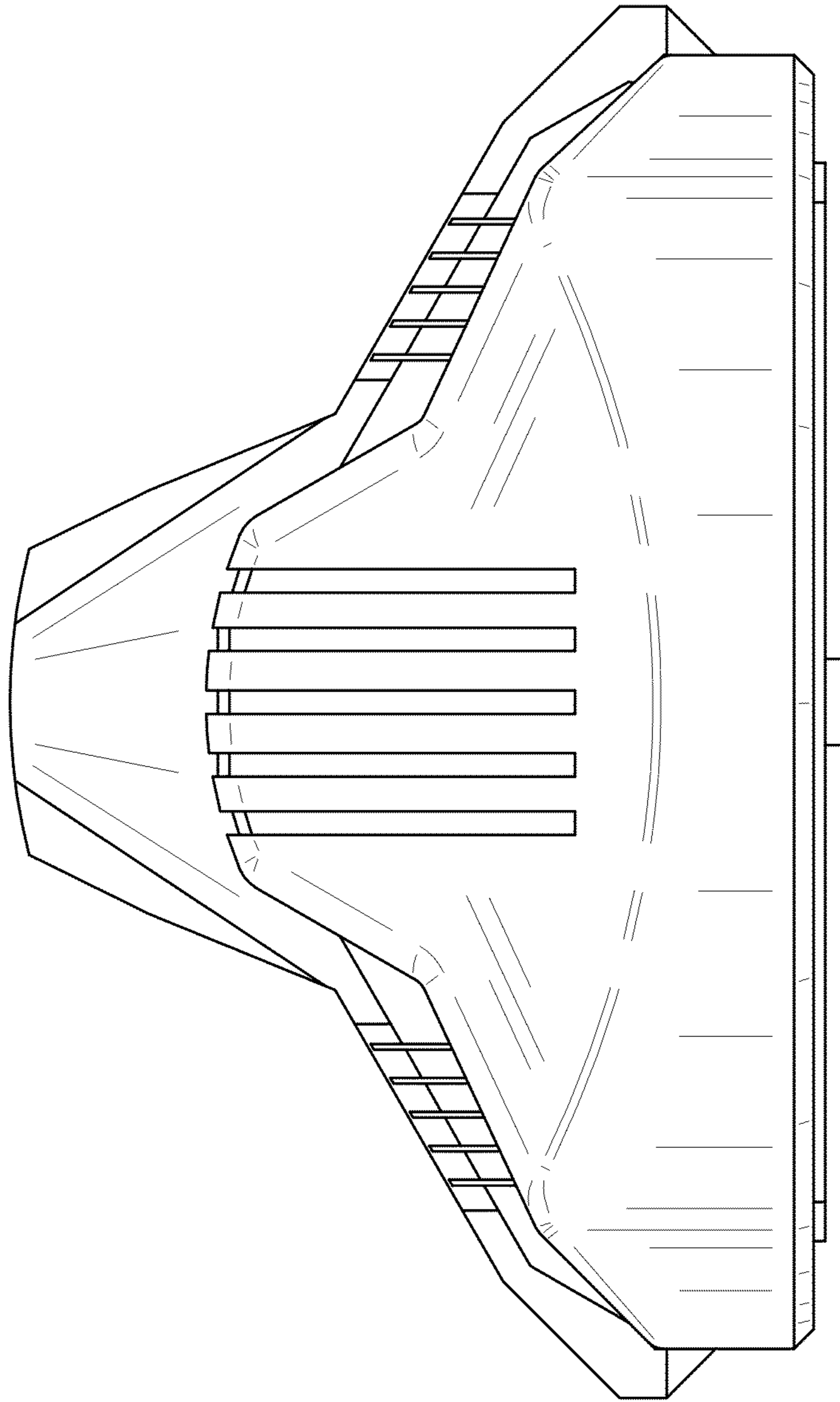


Fig. 4

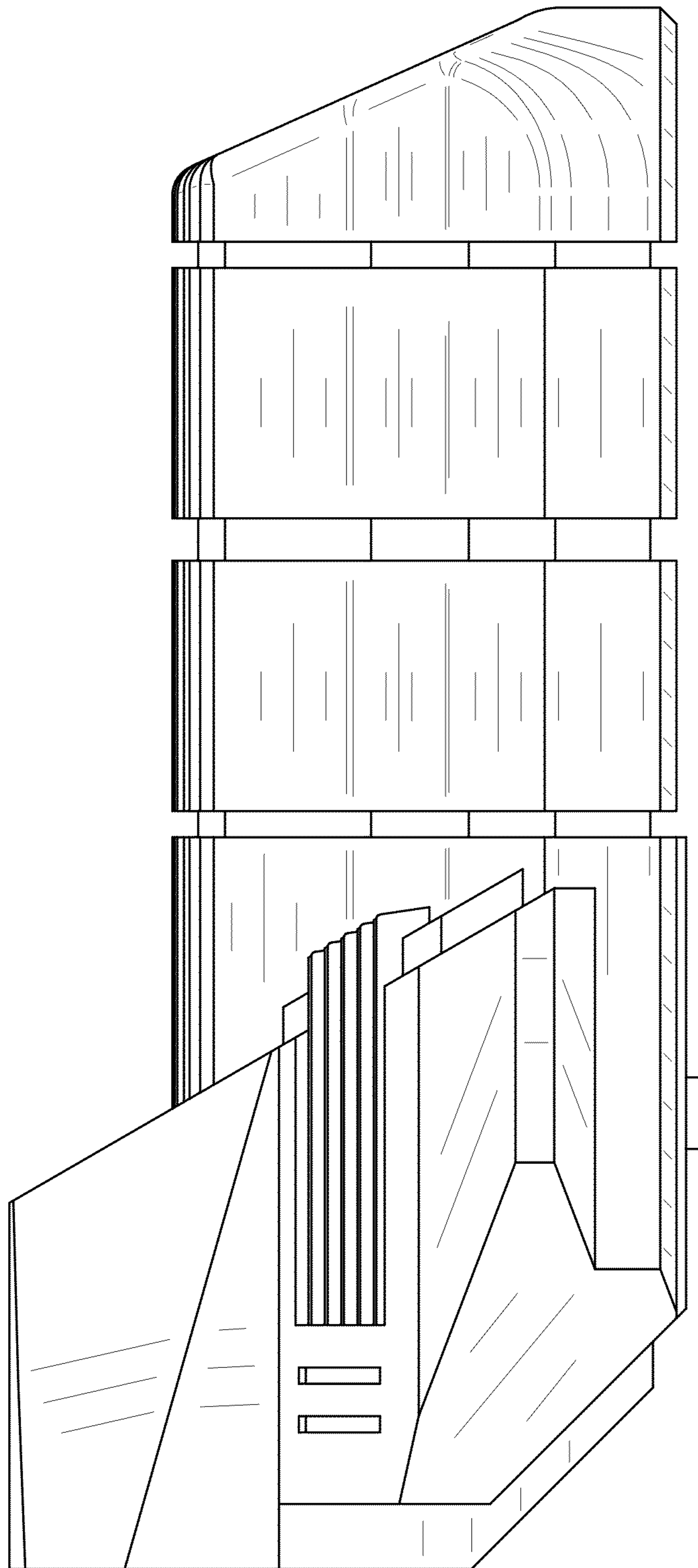


Fig. 5

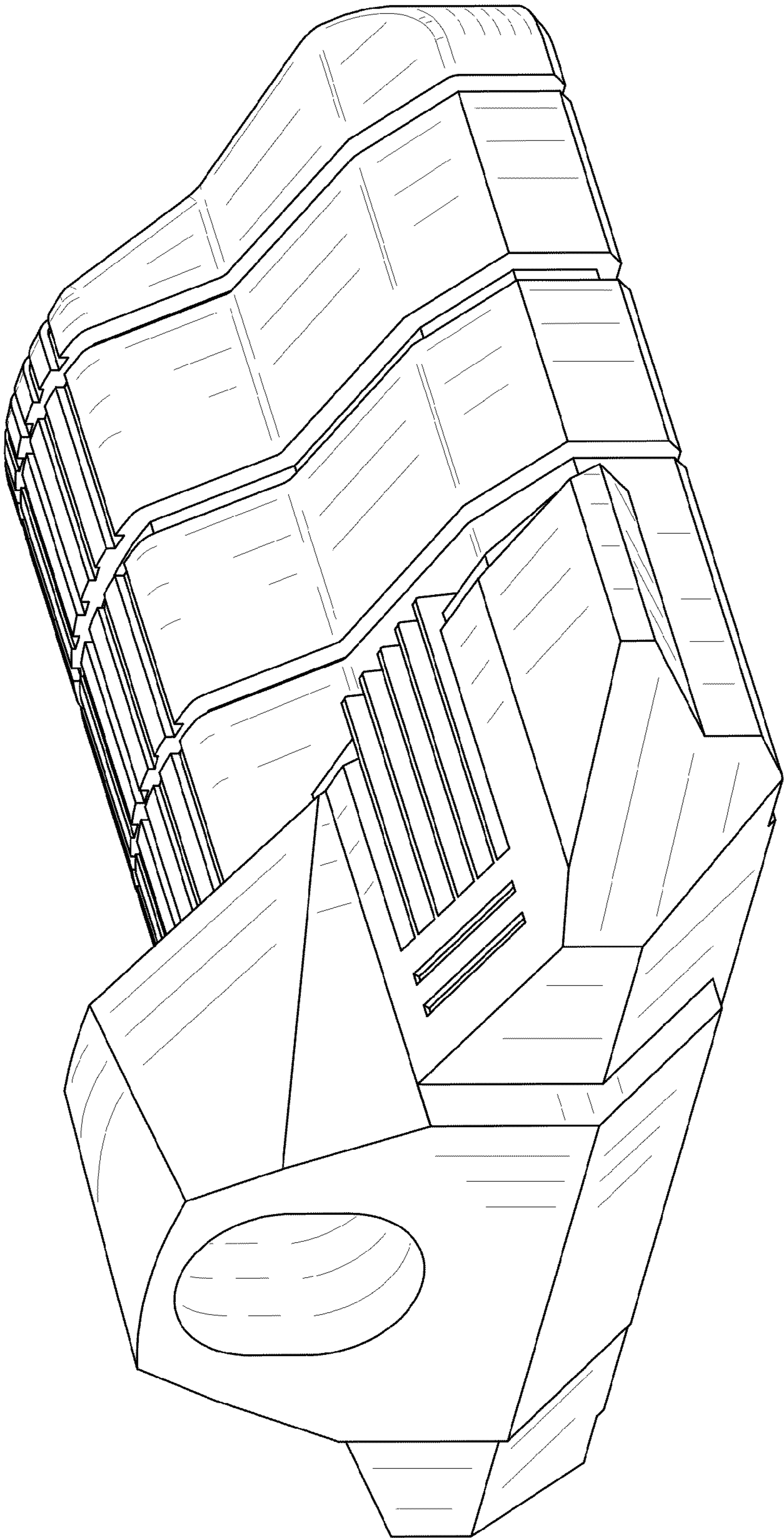


Fig. 6