



US00D709236S

(12) **United States Design Patent**
Ku et al.

(10) **Patent No.:** **US D709,236 S**
(45) **Date of Patent:** **** Jul. 15, 2014**

(54) **SOLAR-POWERED STREET LIGHT**

(71) Applicant: **DJ Solar Co., Ltd.**, Taoyuan (TW)

(72) Inventors: **Lun-Yu Ku**, Taoyuan (TW); **Shih-Chieh Liao**, Taoyuan (TW)

(73) Assignee: **DJ Solar Co., Ltd.**, Kuei Shan Hsiang, Taoyuan (TW)

(**) Term: **14 Years**

(21) Appl. No.: **29/452,091**

(22) Filed: **Apr. 11, 2013**

(51) **LOC (10) Cl.** **26-05**

(52) **U.S. Cl.**
USPC **D26/71**

(58) **Field of Classification Search**
CPC F21S 8/085; F21S 8/086; F21S 8/088;
F21V 21/14
USPC D26/67-71, 92; 362/249.01, 249.02,
362/235-237, 157, 183
See application file for complete search history.

(56) **References Cited**

U.S. PATENT DOCUMENTS

D599,935 S * 9/2009 van Klinken D26/67
D610,731 S * 2/2010 Lenz D26/71

D621,988 S * 8/2010 Zheng et al. D26/71
D631,589 S * 1/2011 Beghelli D26/71
D637,336 S * 5/2011 Van Klinken et al. D26/71
7,980,725 B2 * 7/2011 Yu et al. 362/218
D645,190 S * 9/2011 Van Klinken et al. D26/71
8,025,428 B2 * 9/2011 Duguay et al. 362/311.02
D655,029 S * 2/2012 Beghelli D26/71
D655,030 S * 2/2012 Beghelli D26/71
8,113,687 B2 * 2/2012 Villard et al. 362/249.01
D676,178 S * 2/2013 Akinrele et al. D26/71
8,430,542 B2 * 4/2013 Ku et al. 362/428

* cited by examiner

Primary Examiner — Clare E Heflin

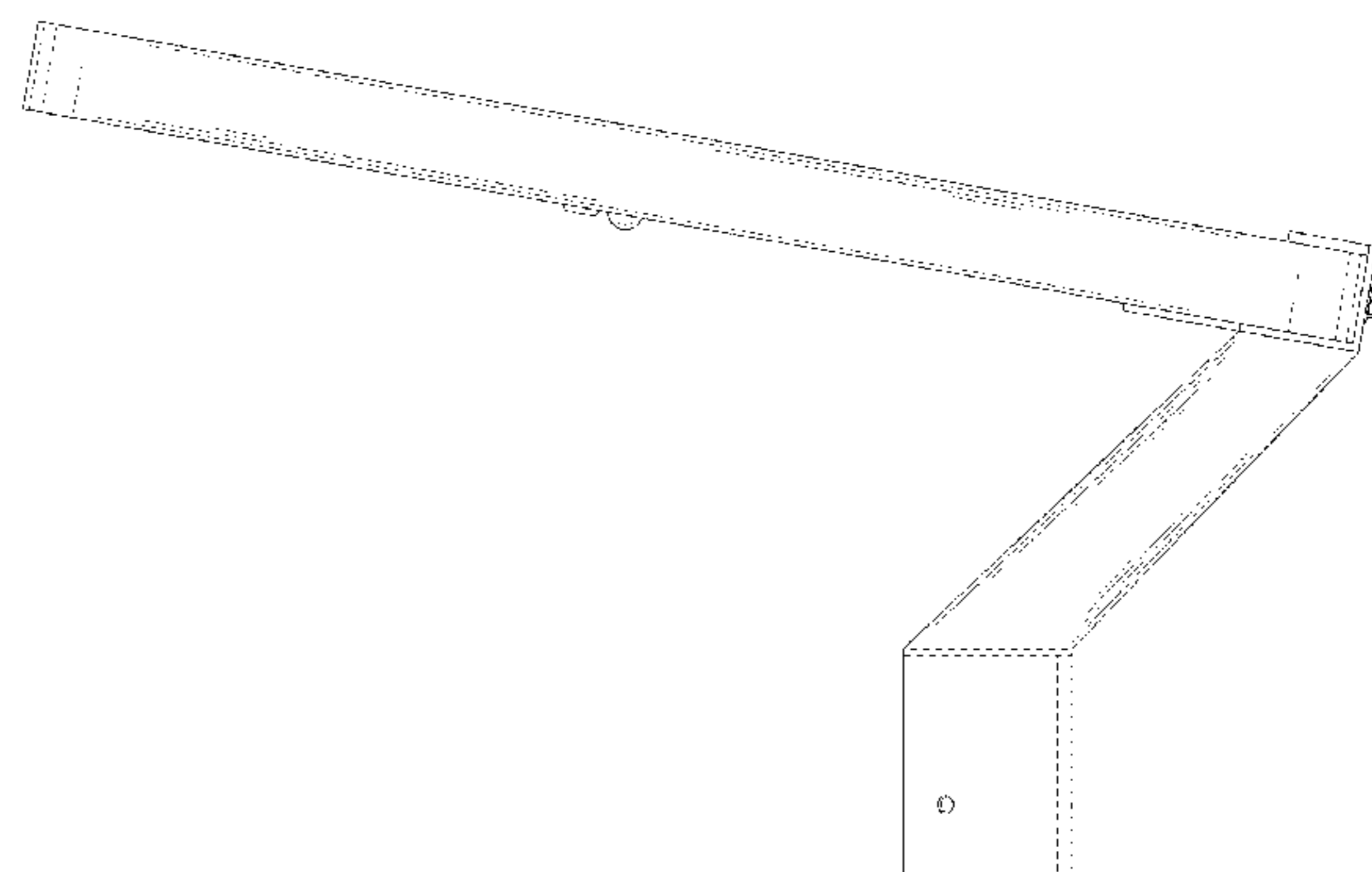
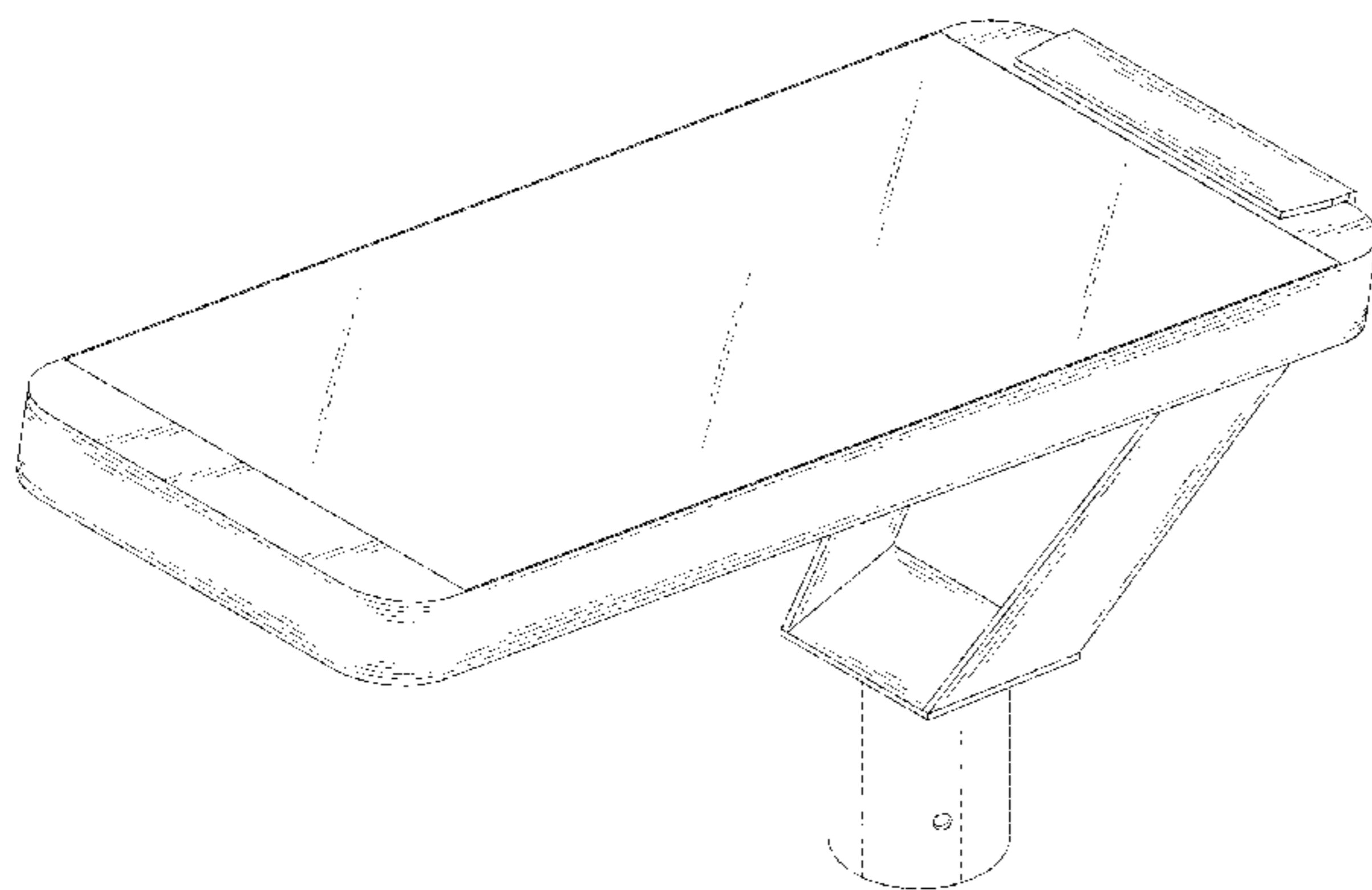
(57) **CLAIM**

The ornamental design for solar-powered street light, as shown.

DESCRIPTION

FIG. 1 is a front perspective view of a solar-powered street light showing my new design;
FIG. 2 is a front elevational view thereof;
FIG. 3 is a rear elevational view thereof;
FIG. 4 is a left side elevational view thereof;
FIG. 5 is a right side elevational view thereof;
FIG. 6 is a top plan view thereof; and,
FIG. 7 is a bottom plan view thereof.

1 Claim, 7 Drawing Sheets



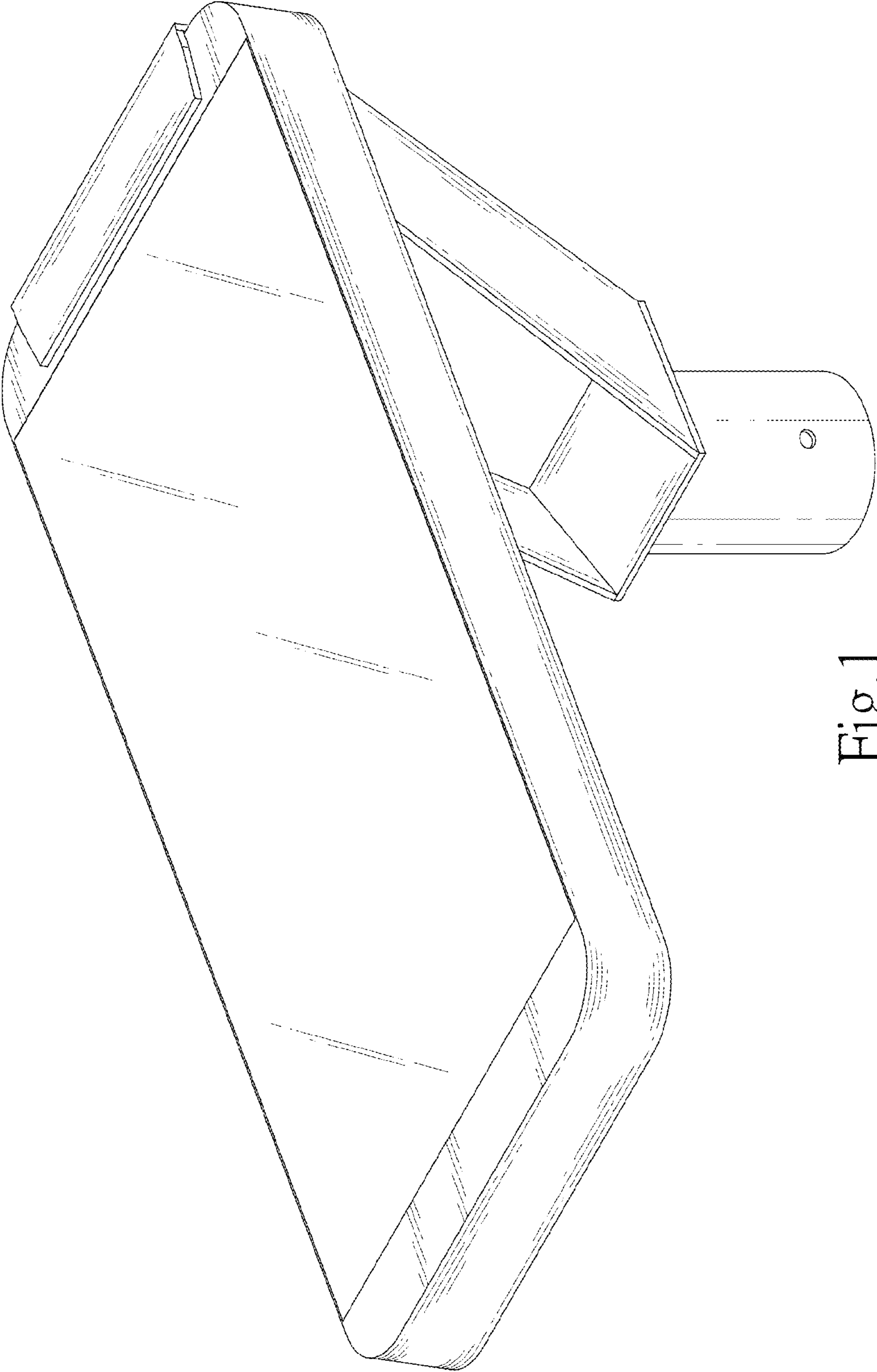


Fig.1

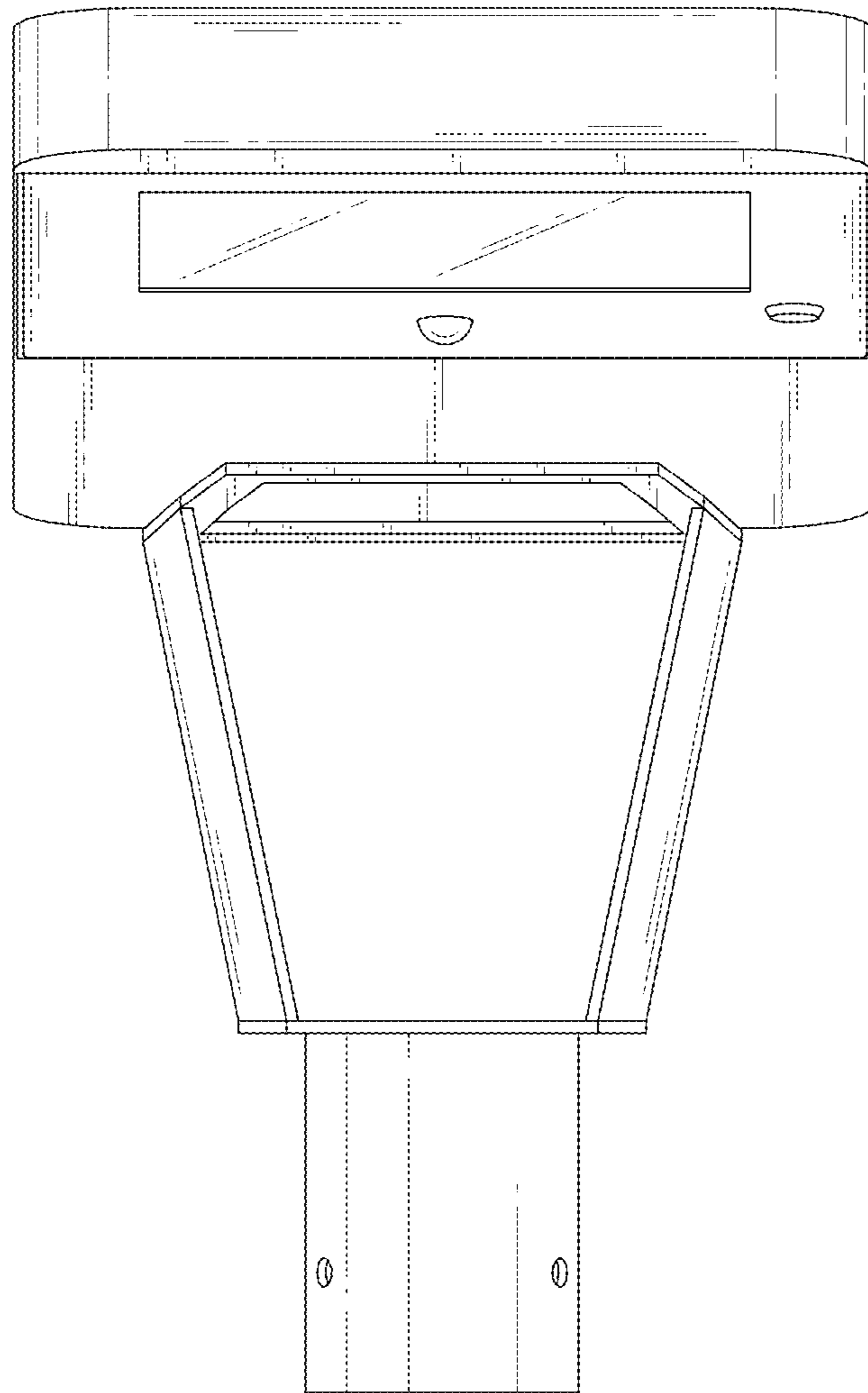


Fig.2

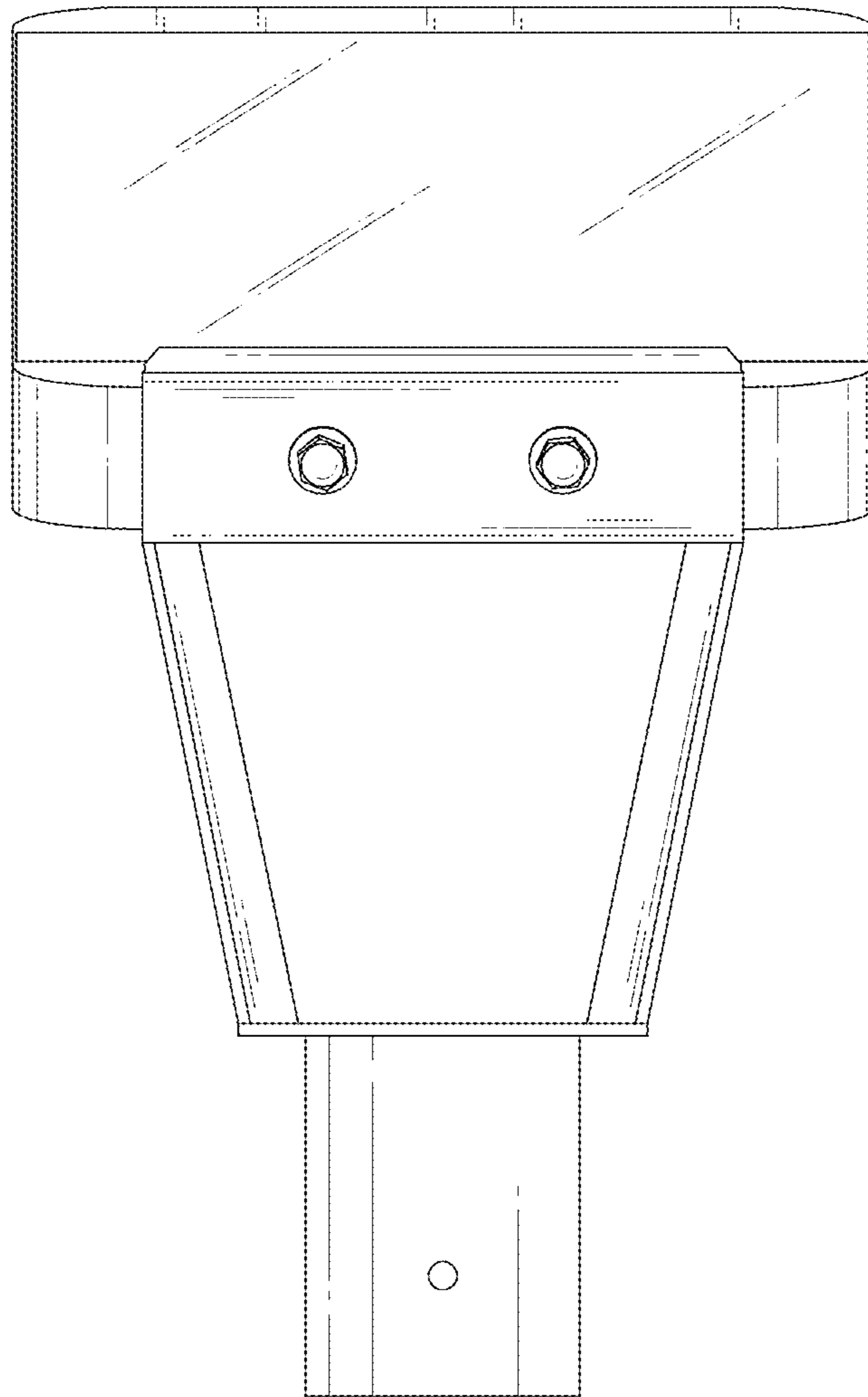


Fig.3

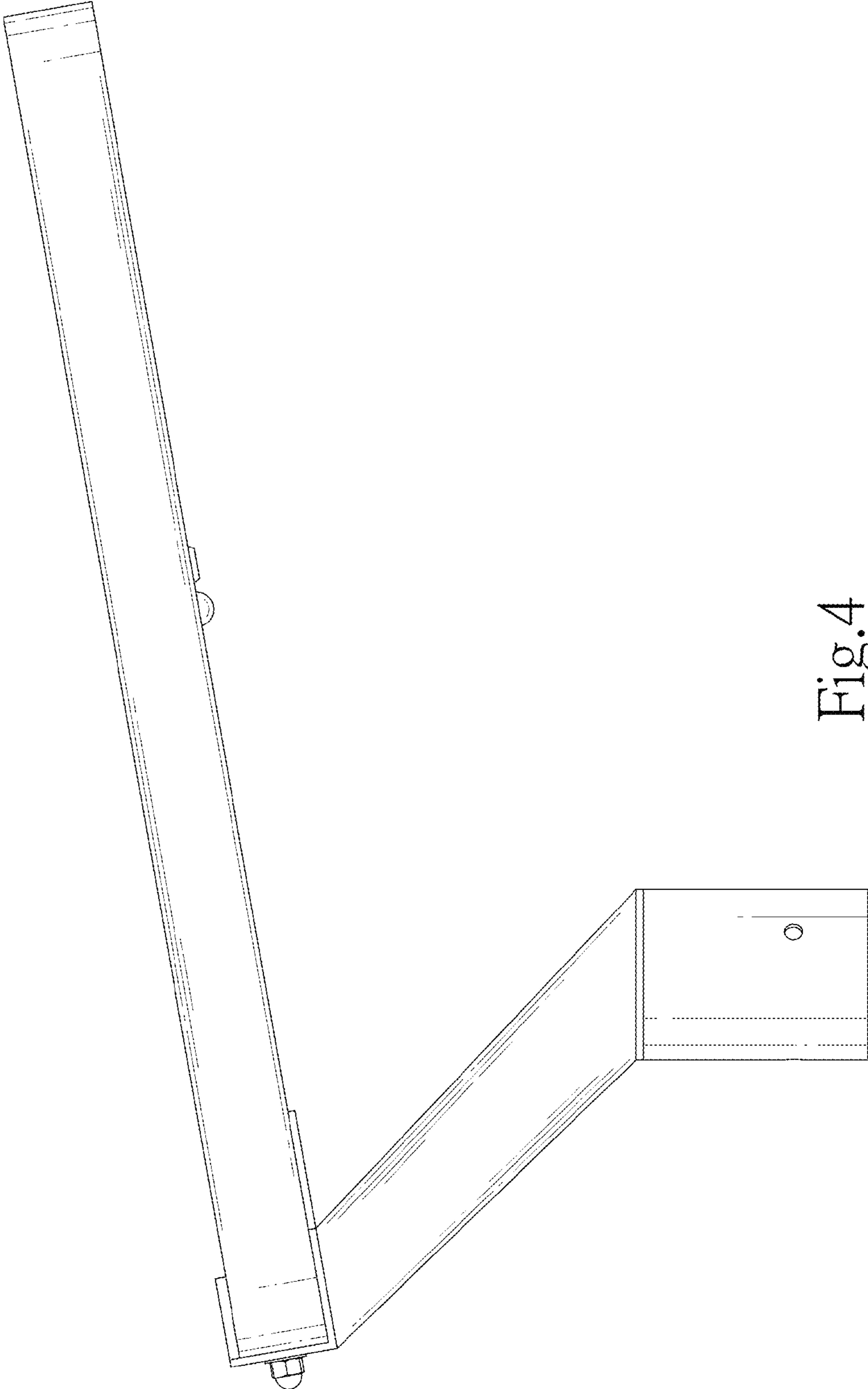


Fig.4

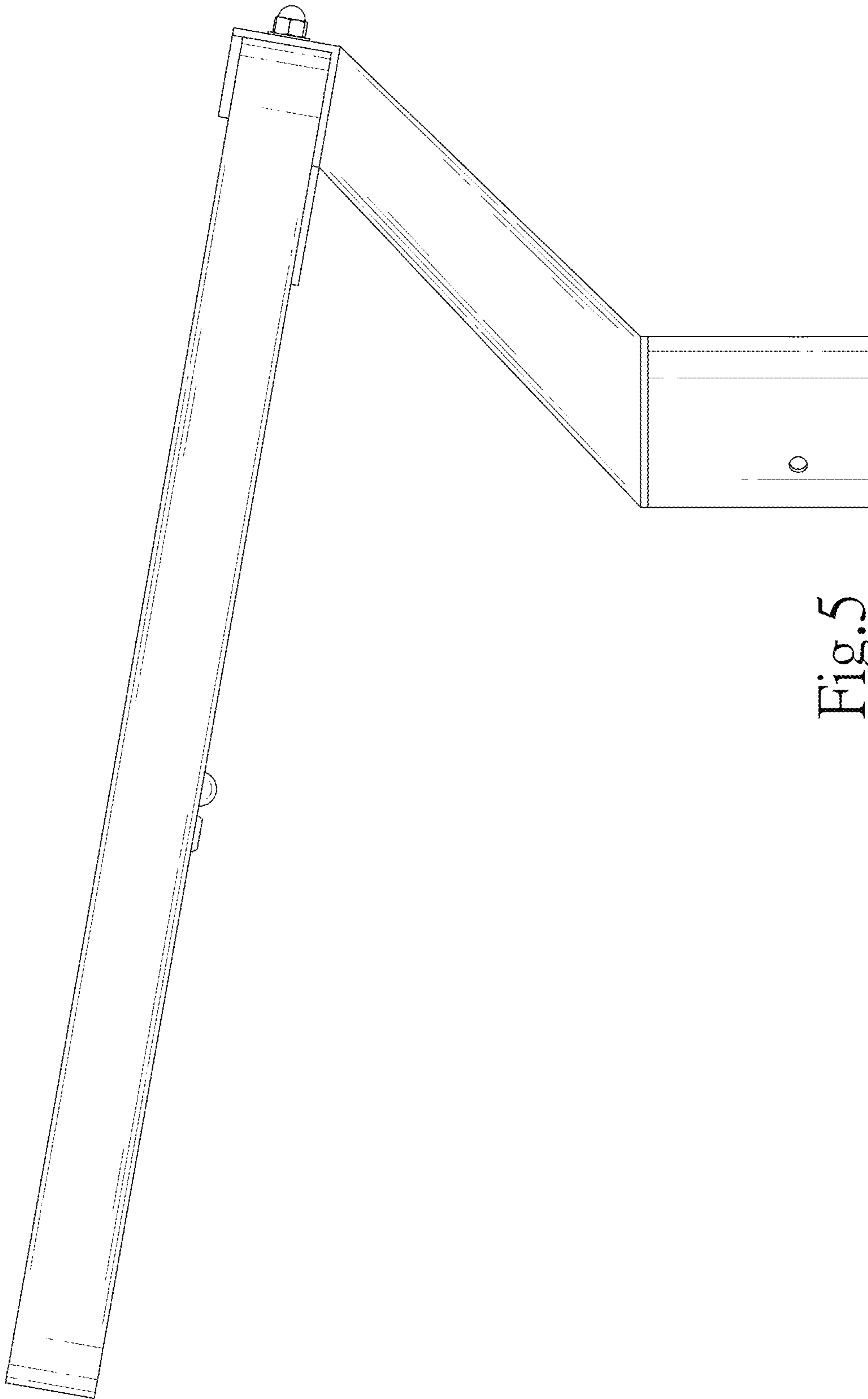


Fig. 5

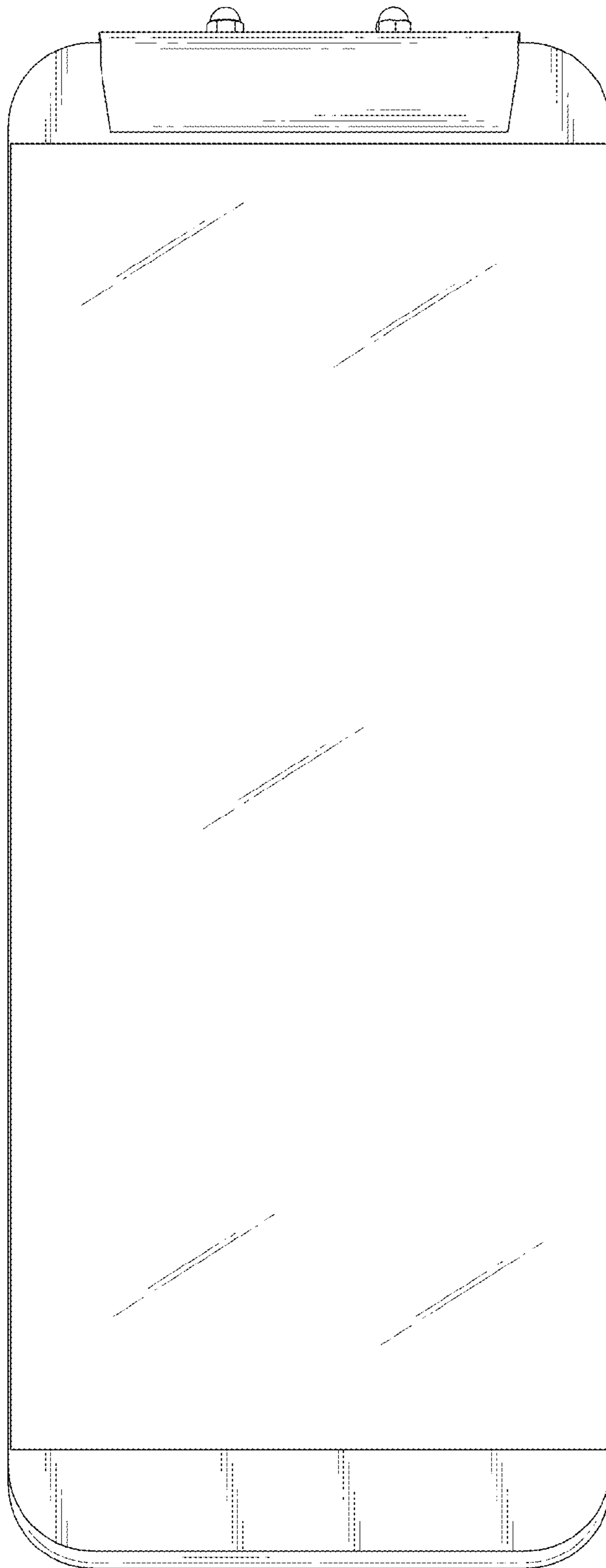


Fig.6

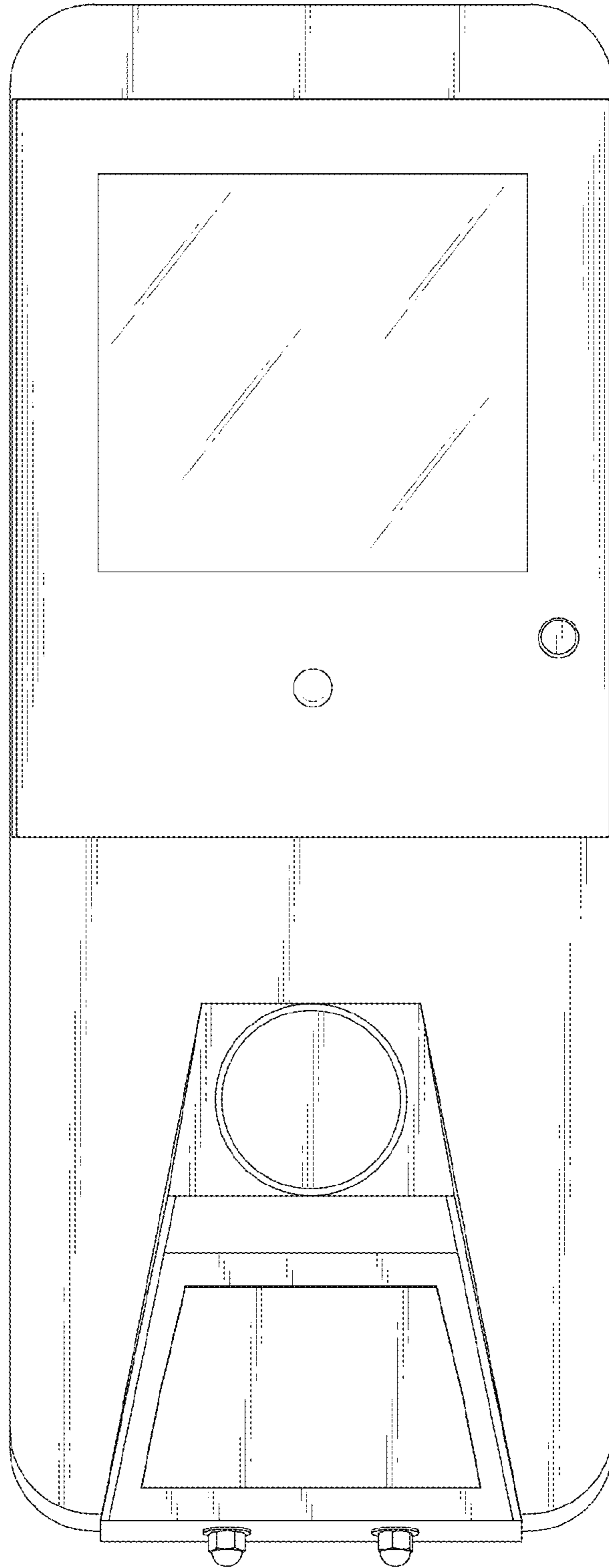


Fig.7