

US00D709234S

(12) **United States Design Patent**  
**Inskeep**

(10) **Patent No.:** **US D709,234 S**  
(45) **Date of Patent:** **\*\* Jul. 15, 2014**

(54) **FLASHLIGHT**

(71) Applicant: **Mathew Inskeep**, Boca Raton, FL (US)

(72) Inventor: **Mathew Inskeep**, Boca Raton, FL (US)

(\*\*) Term: **14 Years**

(21) Appl. No.: **29/466,717**

(22) Filed: **Sep. 11, 2013**

(51) **LOC (10) Cl.** ..... **26-02**

(52) **U.S. Cl.**  
USPC ..... **D26/49**

(58) **Field of Classification Search**  
USPC ..... D26/37, 38, 39, 49, 46, 50; 362/157,  
362/158, 183, 184, 194–196, 202–208  
See application file for complete search history.

(56) **References Cited**

**U.S. PATENT DOCUMENTS**

D369,423 S *	4/1996	Garrity	.....	D26/49
D570,511 S *	6/2008	Shiu	.....	D26/49
D577,451 S *	9/2008	Shiu	.....	D26/49
D577,452 S *	9/2008	Shiu	.....	D26/49
D577,844 S *	9/2008	Shiu	.....	D26/49
D579,595 S *	10/2008	Shiu	.....	D26/49
D583,973 S *	12/2008	Shiu	.....	D26/49
D629,542 S *	12/2010	Robinson	.....	D26/49
D629,543 S *	12/2010	Deguglimo et al.	.....	D26/49
D629,941 S *	12/2010	Robinson et al.	.....	D26/49

D647,232 S *	10/2011	Liu	.....	D26/49
D647,654 S *	10/2011	Li	.....	D26/49
D659,271 S *	5/2012	Nguyen et al.	.....	D26/49
D671,249 S *	11/2012	Sheikh et al.	.....	D26/38
D688,402 S *	8/2013	Roshak et al.	.....	D26/49
D698,961 S *	2/2014	Dalton	.....	D26/49

\* cited by examiner

*Primary Examiner* — Ian Simmons

*Assistant Examiner* — Carissa C Fitts

(57) **CLAIM**

The ornamental design for a flashlight, as shown and described.

**DESCRIPTION**

FIG. 1 is a top perspective view of the flashlight showing my new design.

FIG. 2 is a bottom perspective view thereof.

FIG. 3 is a front right side view thereof.

FIG. 4 is a front left side view thereof.

FIG. 5 is a back right side view thereof.

FIG. 6 is a back left side view thereof.

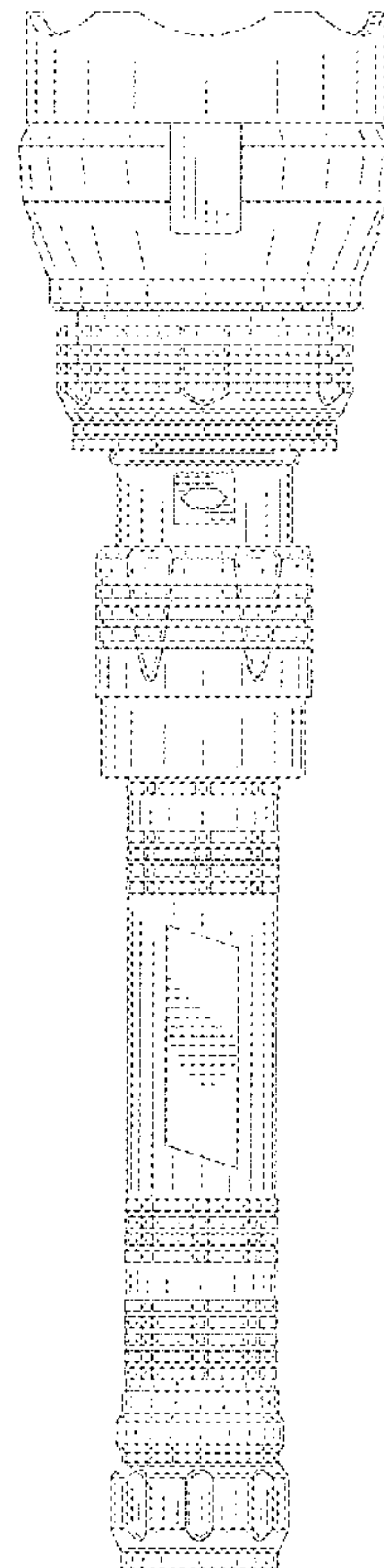
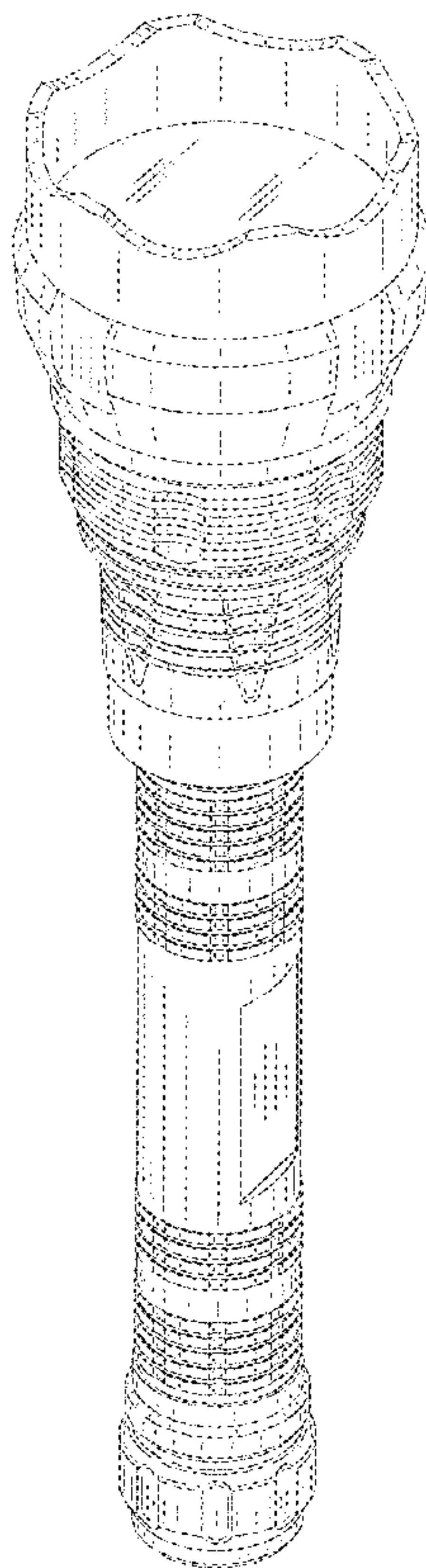
FIG. 7 is a top view thereof.

FIG. 8 is a bottom view thereof.

FIG. 9 is a side perspective view with charging port exposed; and,

FIG. 10 is a front view with the charging port exposed.

**1 Claim, 5 Drawing Sheets**



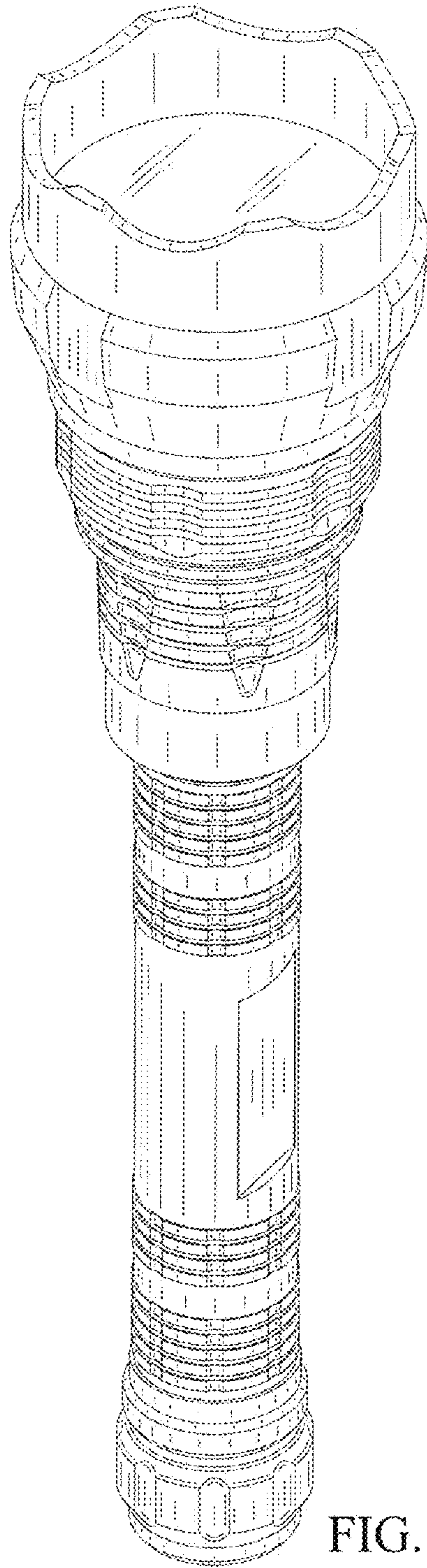


FIG. 1

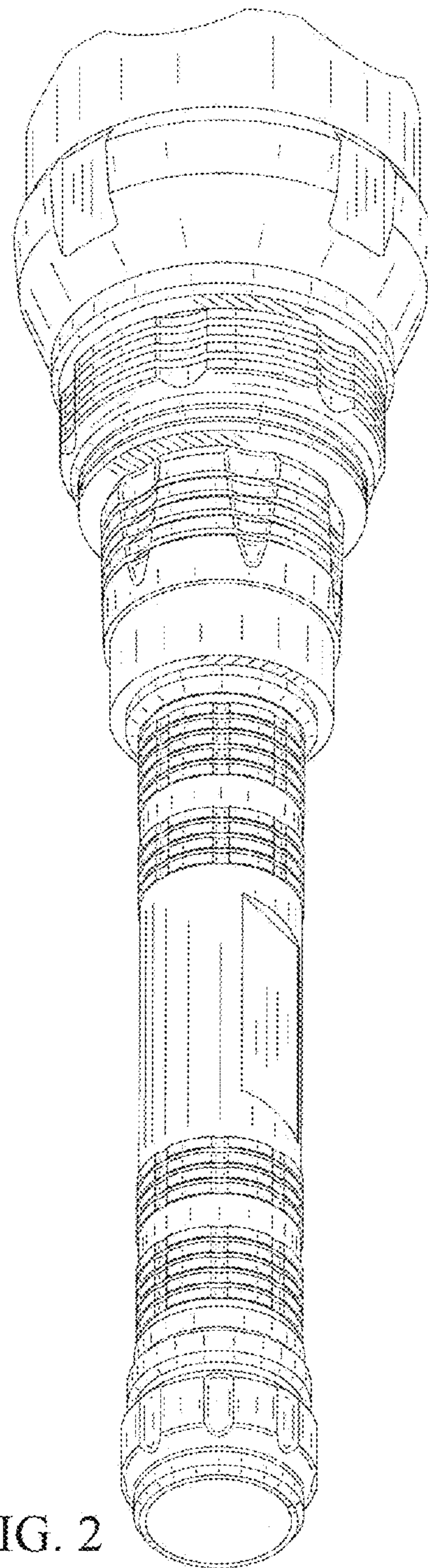


FIG. 2



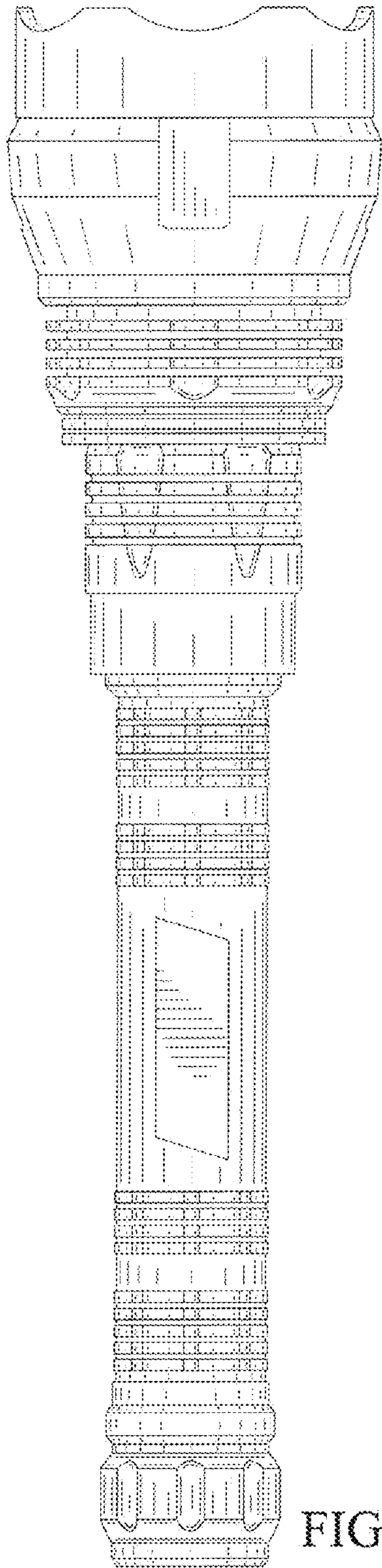


FIG. 3

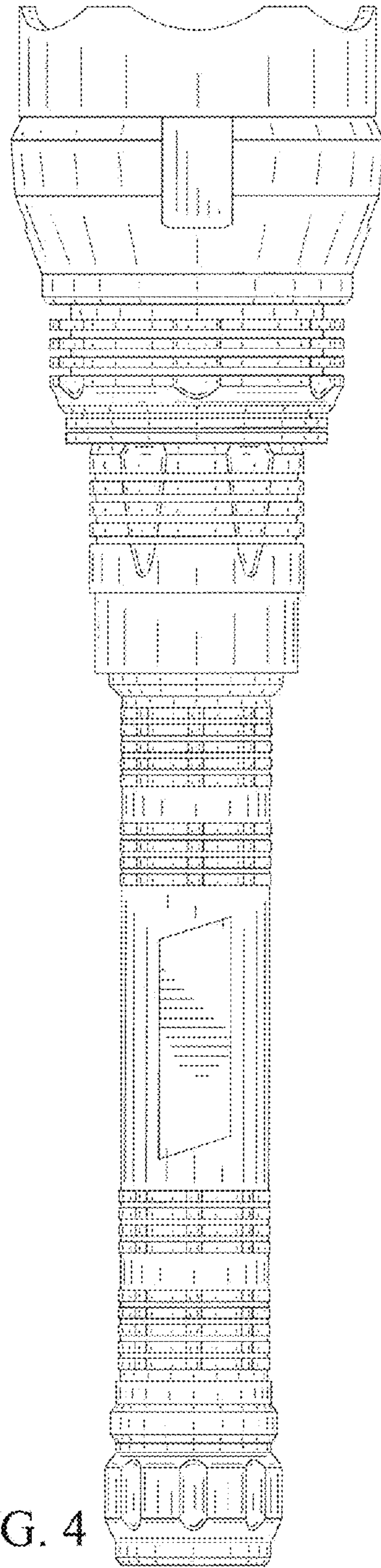


FIG. 4

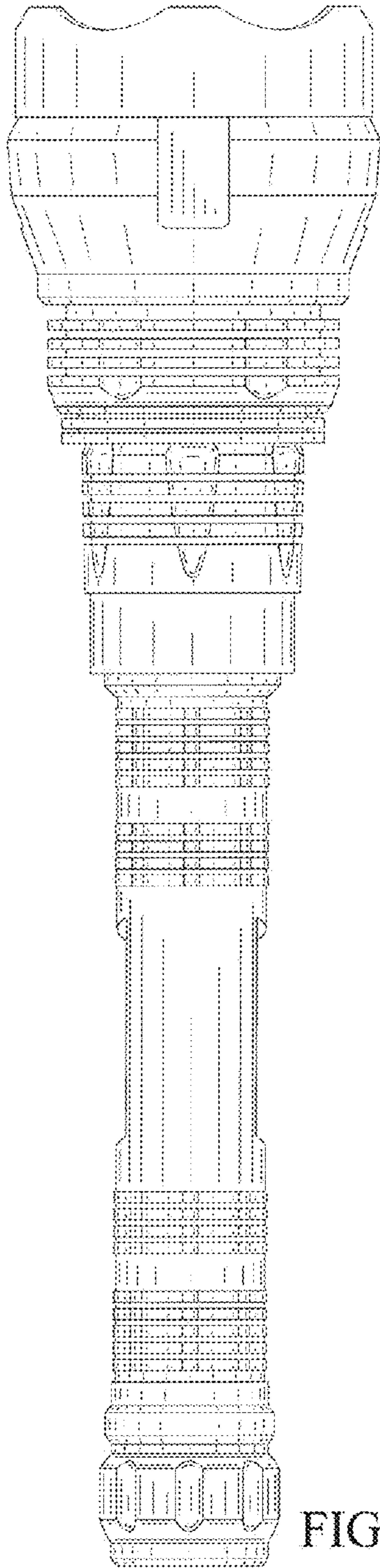


FIG. 5

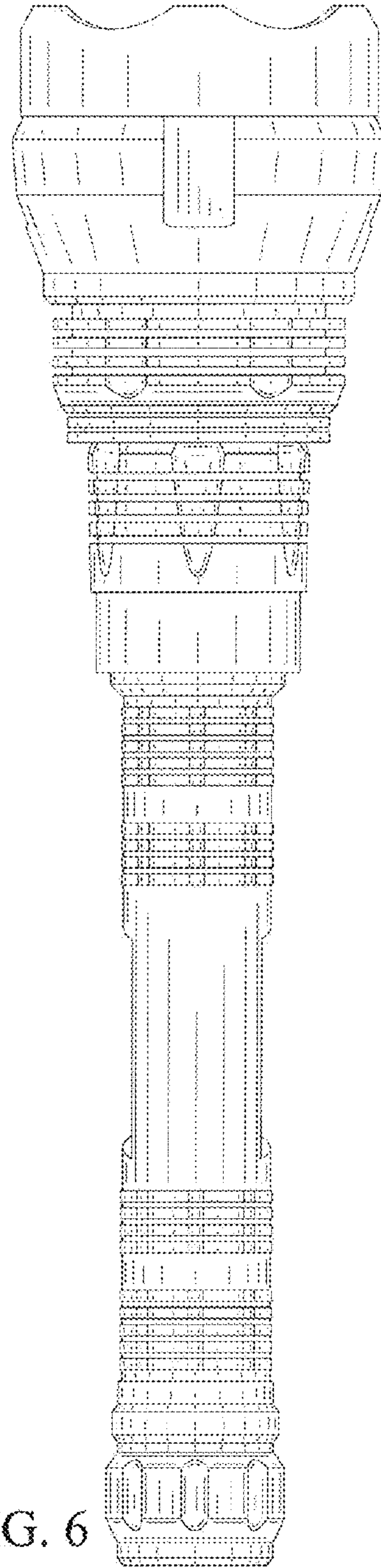


FIG. 6

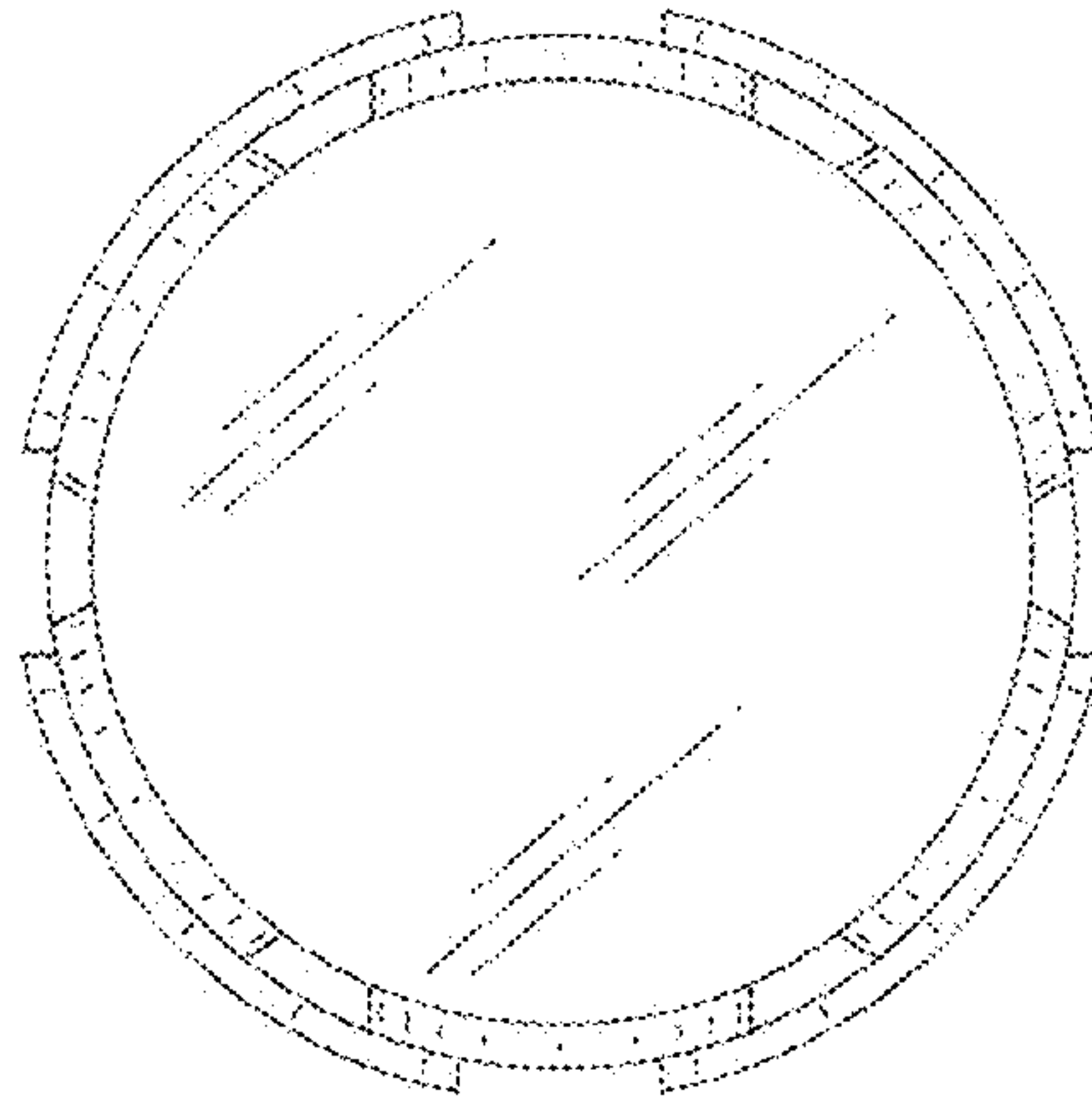


FIG. 7

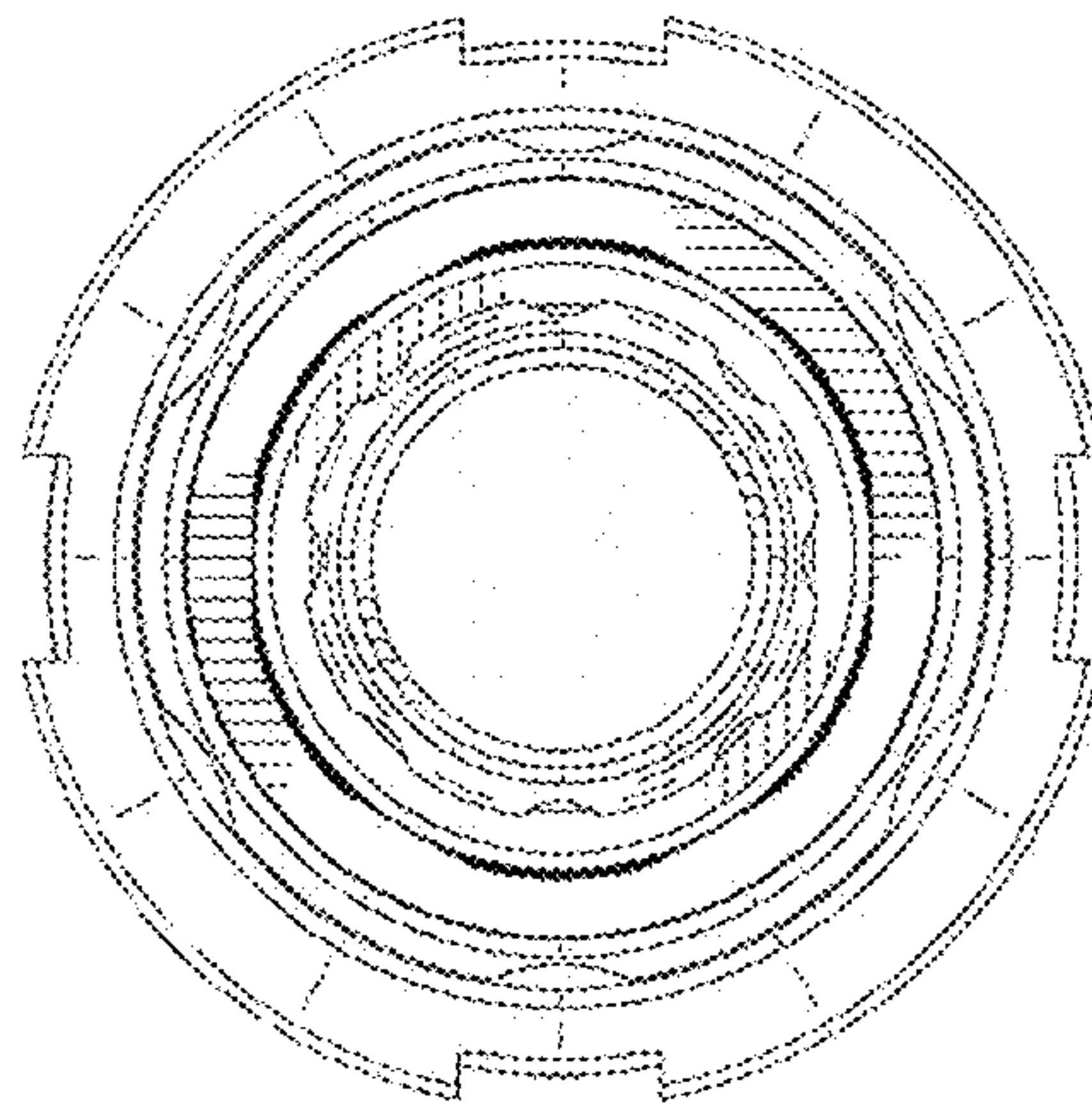


FIG. 8



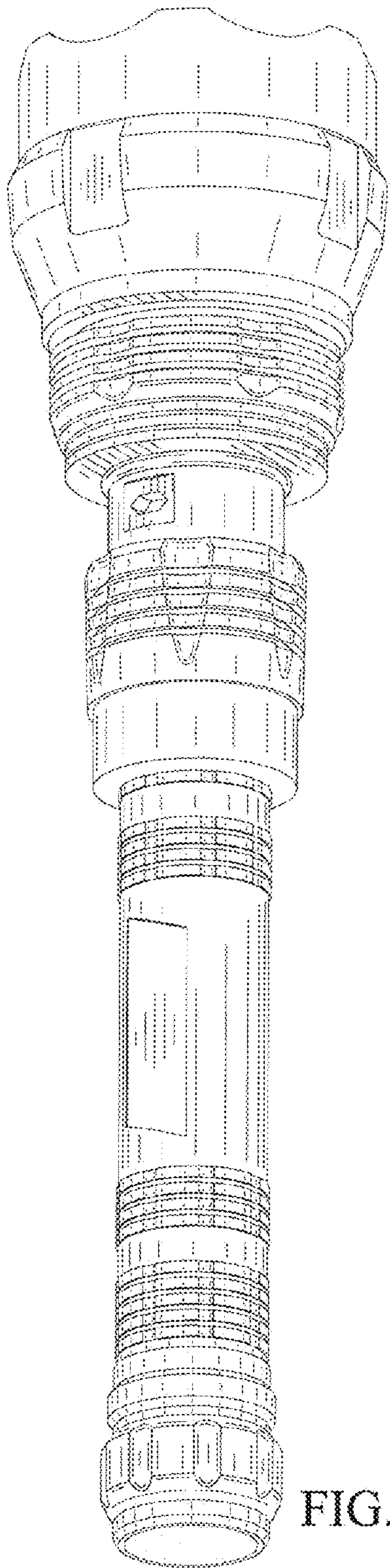


FIG. 9

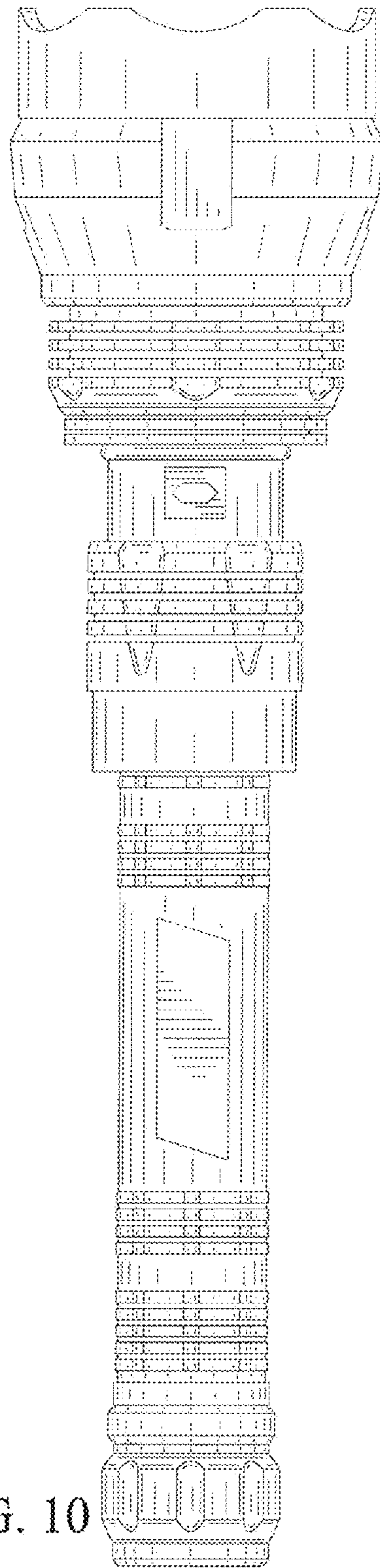


FIG. 10