



US00D709232S

(12) **United States Design Patent**
Inskeep

(10) **Patent No.:** **US D709,232 S**

(45) **Date of Patent:** **** Jul. 15, 2014**

(54) **FLASHLIGHT**

(71) Applicant: **Mathew Inskeep**, Boca Raton, FL (US)

(72) Inventor: **Mathew Inskeep**, Boca Raton, FL (US)

(**) Term: **14 Years**

(21) Appl. No.: **29/450,403**

(22) Filed: **Mar. 18, 2013**

(51) **LOC (10) Cl.** **26-02**

(52) **U.S. Cl.**
USPC **D26/49**

(58) **Field of Classification Search**
USPC D26/37, 38, 39, 49, 46, 50; 362/157,
362/158, 183, 184, 194–196, 202–208
See application file for complete search history.

(56) **References Cited**

U.S. PATENT DOCUMENTS

D369,423 S *	4/1996	Garrity	D26/49
D570,511 S *	6/2008	Shiu	D26/49
D577,451 S *	9/2008	Shiu	D26/49
D577,452 S *	9/2008	Shiu	D26/49
D577,844 S *	9/2008	Shiu	D26/49
D579,595 S *	10/2008	Shiu	D26/49
D583,973 S *	12/2008	Shiu	D26/49
D629,542 S *	12/2010	Robinson	D26/49

D629,543 S *	12/2010	Deguglimo et al.	D26/49
D629,941 S *	12/2010	Robinson et al.	D26/49
D647,232 S *	10/2011	Liu	D26/49
D647,654 S *	10/2011	Li	D26/49
D659,271 S *	5/2012	Nguyen et al.	D26/49
D671,249 S *	11/2012	Sheikh et al.	D26/38
D688,402 S *	8/2013	Roshak et al.	D26/49
D698,961 S *	2/2014	Dalton	D26/49

* cited by examiner

Primary Examiner — Ian Simmons

Assistant Examiner — Carissa C Fitts

(57) **CLAIM**

The ornamental design for a flashlight, as shown and described.

DESCRIPTION

FIG. 1 is a top perspective view of the flashlight showing my new design.

FIG. 2 is a bottom perspective view.

FIG. 3 is a right side view thereof.

FIG. 4 is a left side view thereof.

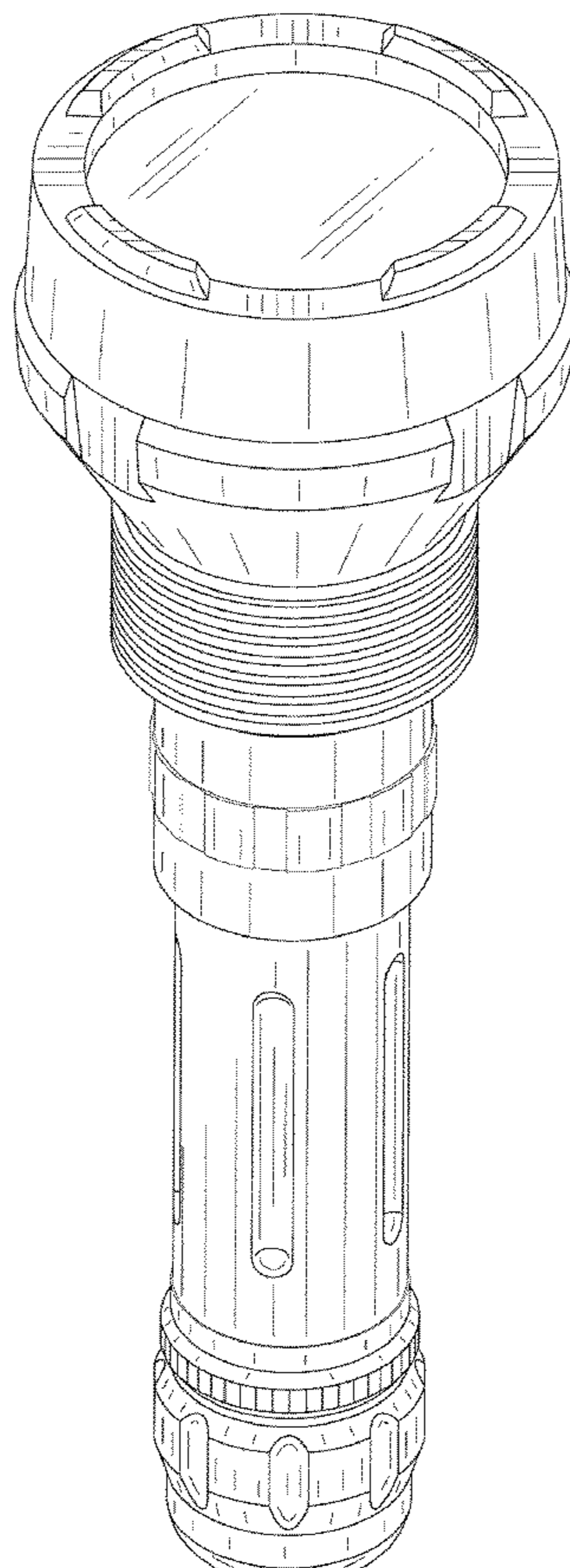
FIG. 5 is a back view thereof.

FIG. 6 is a front view thereof.

FIG. 7 is a top view thereof; and,

FIG. 8 is a bottom view thereof.

1 Claim, 4 Drawing Sheets



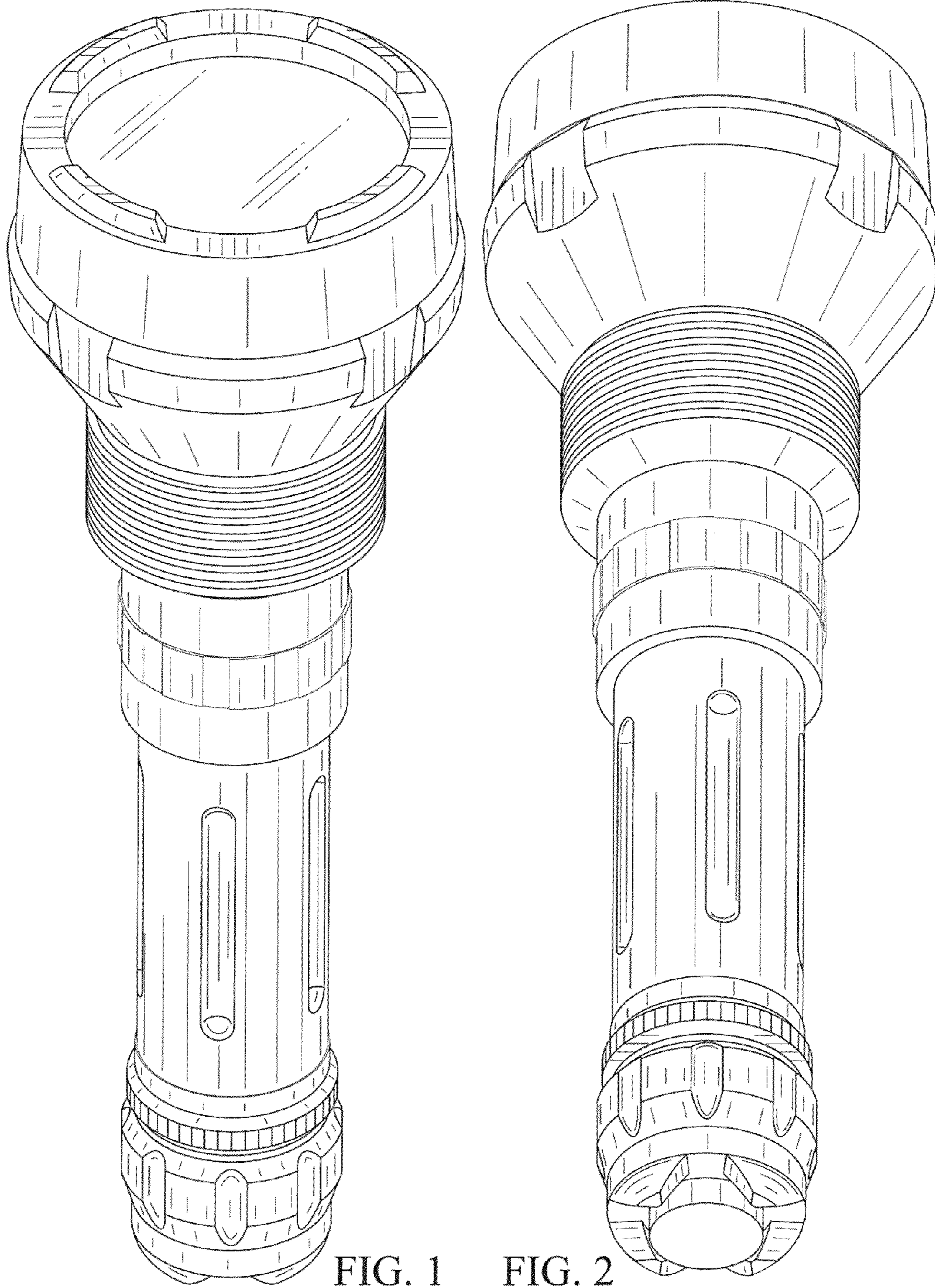


FIG. 1

FIG. 2

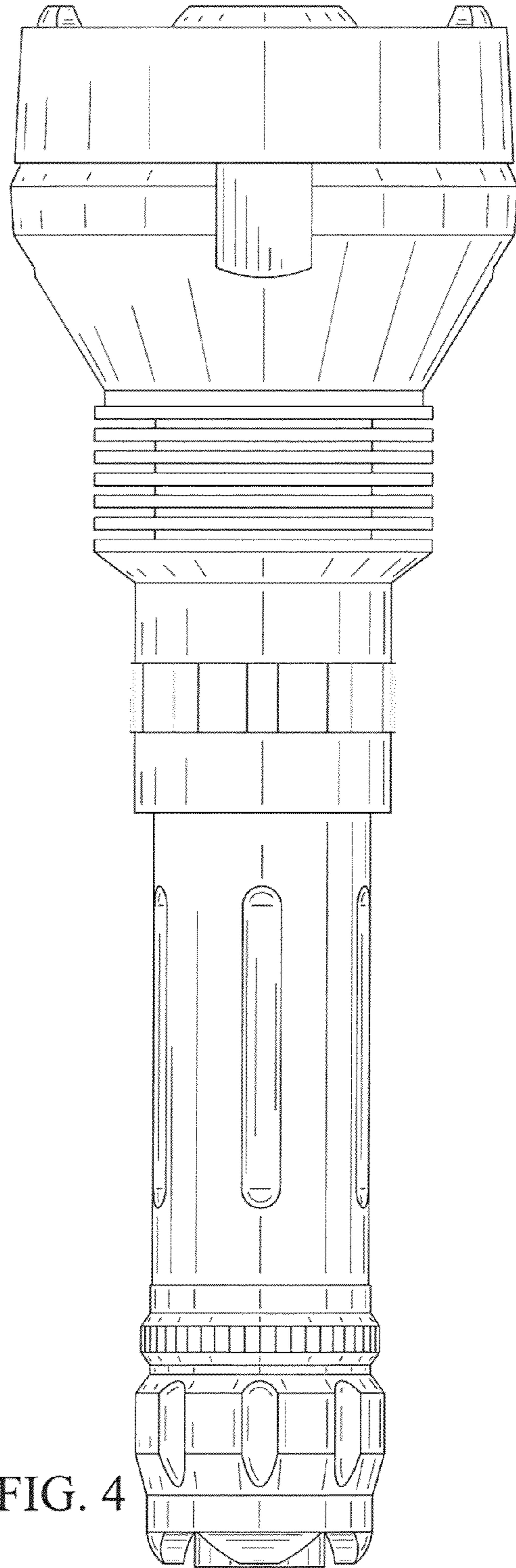
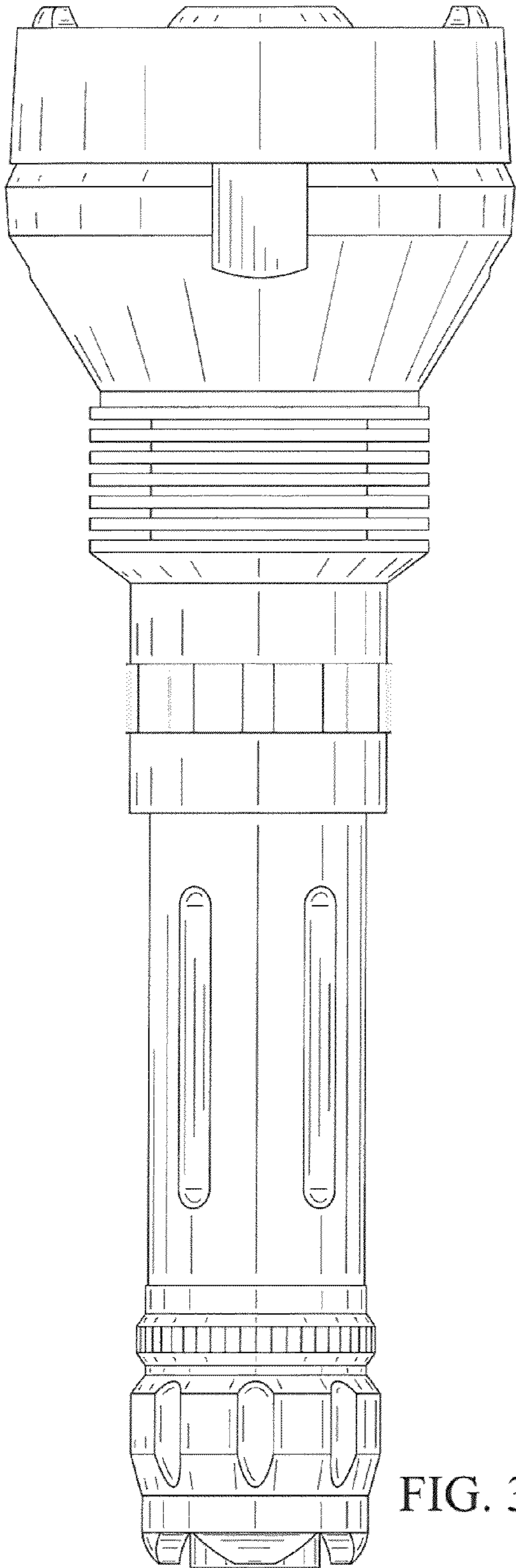


FIG. 3 FIG. 4

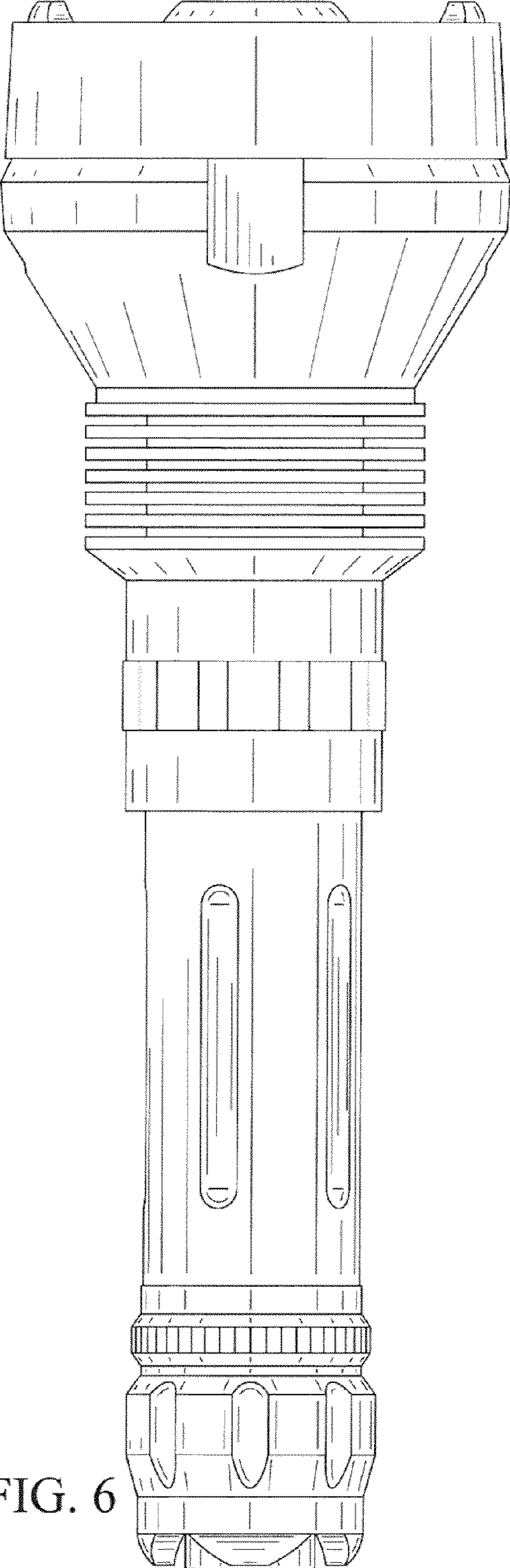
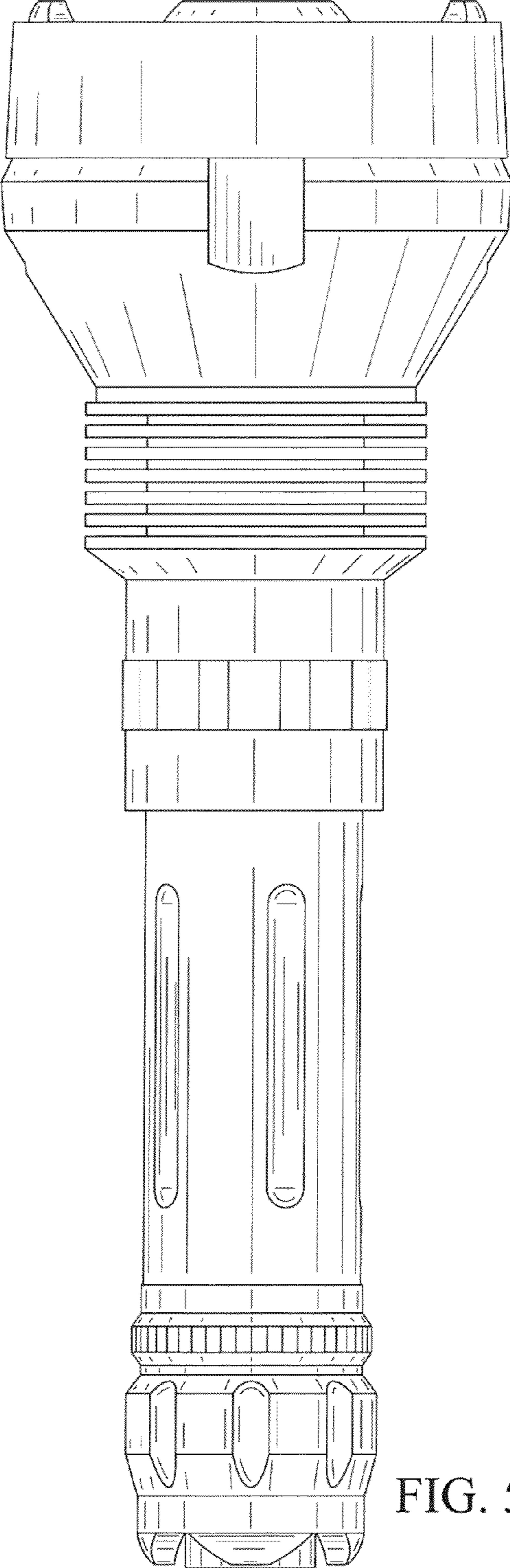


FIG. 5 FIG. 6

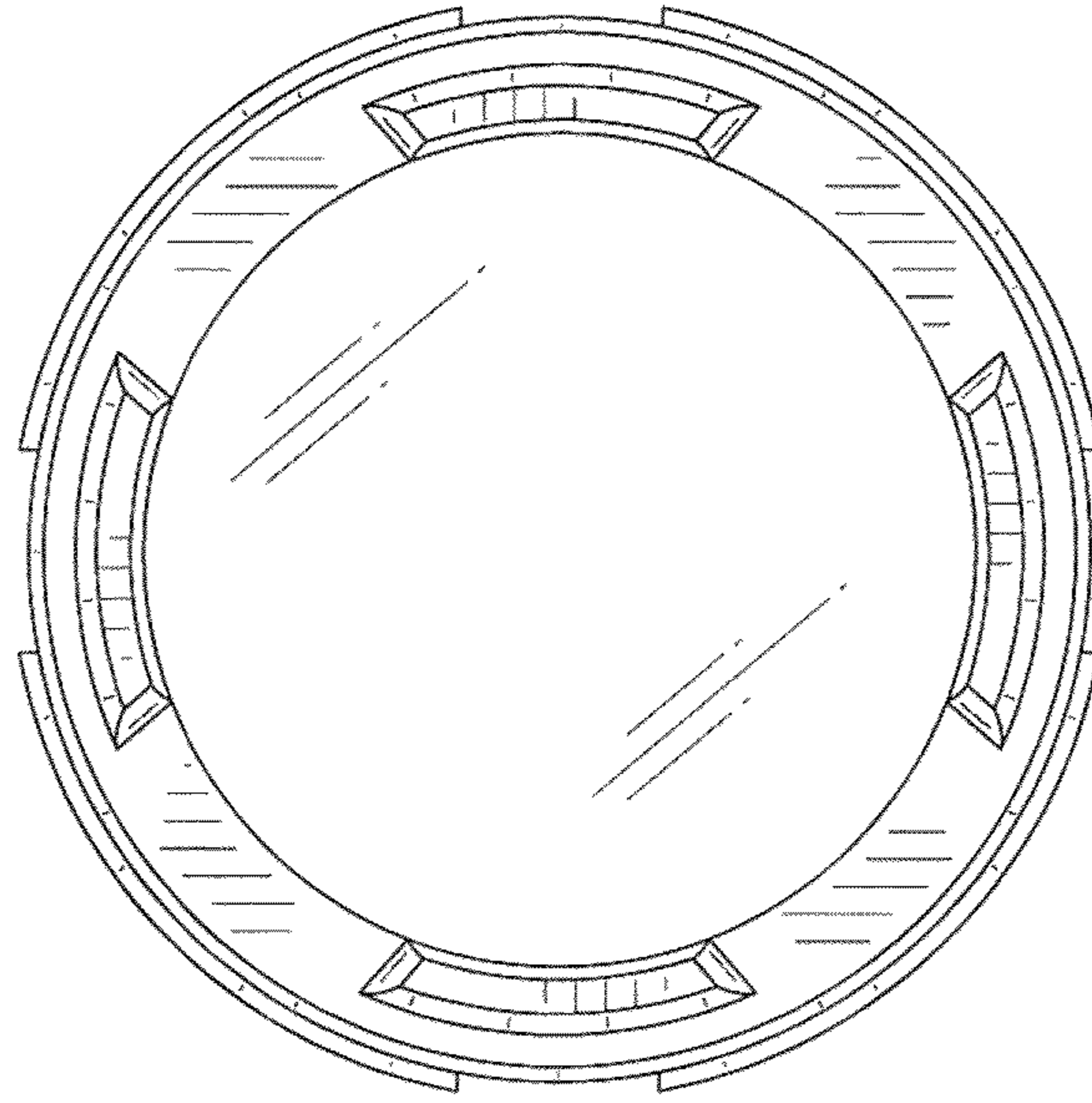


FIG. 7

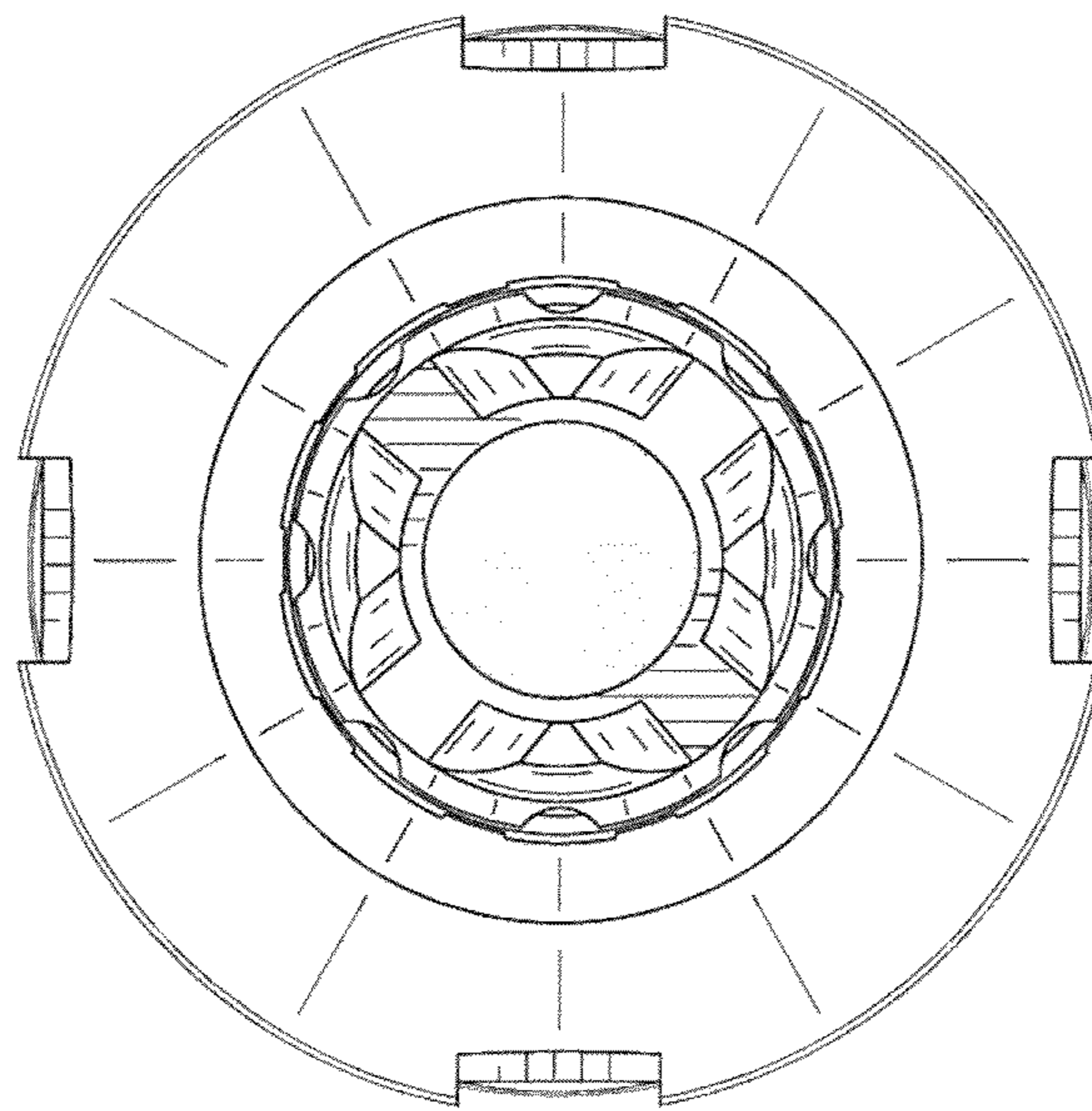


FIG. 8