



US00D709230S

(12) **United States Design Patent**
Nguyen

(10) **Patent No.:** **US D709,230 S**
(45) **Date of Patent:** **** Jul. 15, 2014**

(54) **LIGHTING DEVICE**
(71) Applicant: **SureFire, LLC**, Fountain Valley, CA (US)
(72) Inventor: **Loc Nguyen**, Santa Ana, CA (US)
(73) Assignee: **SureFire, LLC**, Fountain Valley, CA (US)
(**) Term: **14 Years**

D576,757 S 9/2008 Hesse et al.
D577,139 S * 9/2008 Brown et al. D26/38
D577,843 S 9/2008 Couture et al.
D577,844 S 9/2008 Shiu
D577,845 S * 9/2008 Shiu D26/49
D578,690 S * 10/2008 Kim D26/37
D579,135 S 10/2008 Shiu
D583,972 S 12/2008 Shiu
D586,489 S 2/2009 Shiu
D590,970 S 4/2009 Kornfeld et al.
D595,439 S 6/2009 Haight et al.
D596,328 S 7/2009 Shiu
D596,772 S 7/2009 Chang

(21) Appl. No.: **29/441,767**

(Continued)

(22) Filed: **Jan. 9, 2013**

OTHER PUBLICATIONS

(51) **LOC (10) Cl.** **26-02**

U.S. Appl. No. 29/441,776, filed Jan. 9, 2013, inventor: Loc Nguyen, 9 pages.

(52) **U.S. Cl.**
USPC **D26/49**

(58) **Field of Classification Search**
USPC D26/37, 46, 49, 44, 40, 42; 362/157, 362/158, 183, 184, 194-196, 202-208
See application file for complete search history.

Primary Examiner — Ian Simmons
Assistant Examiner — Carissa C Fitts
(74) *Attorney, Agent, or Firm* — Haynes and Boone, LLP

(56) **References Cited**

(57) **CLAIM**
The ornamental design for a lighting device, as shown and described.

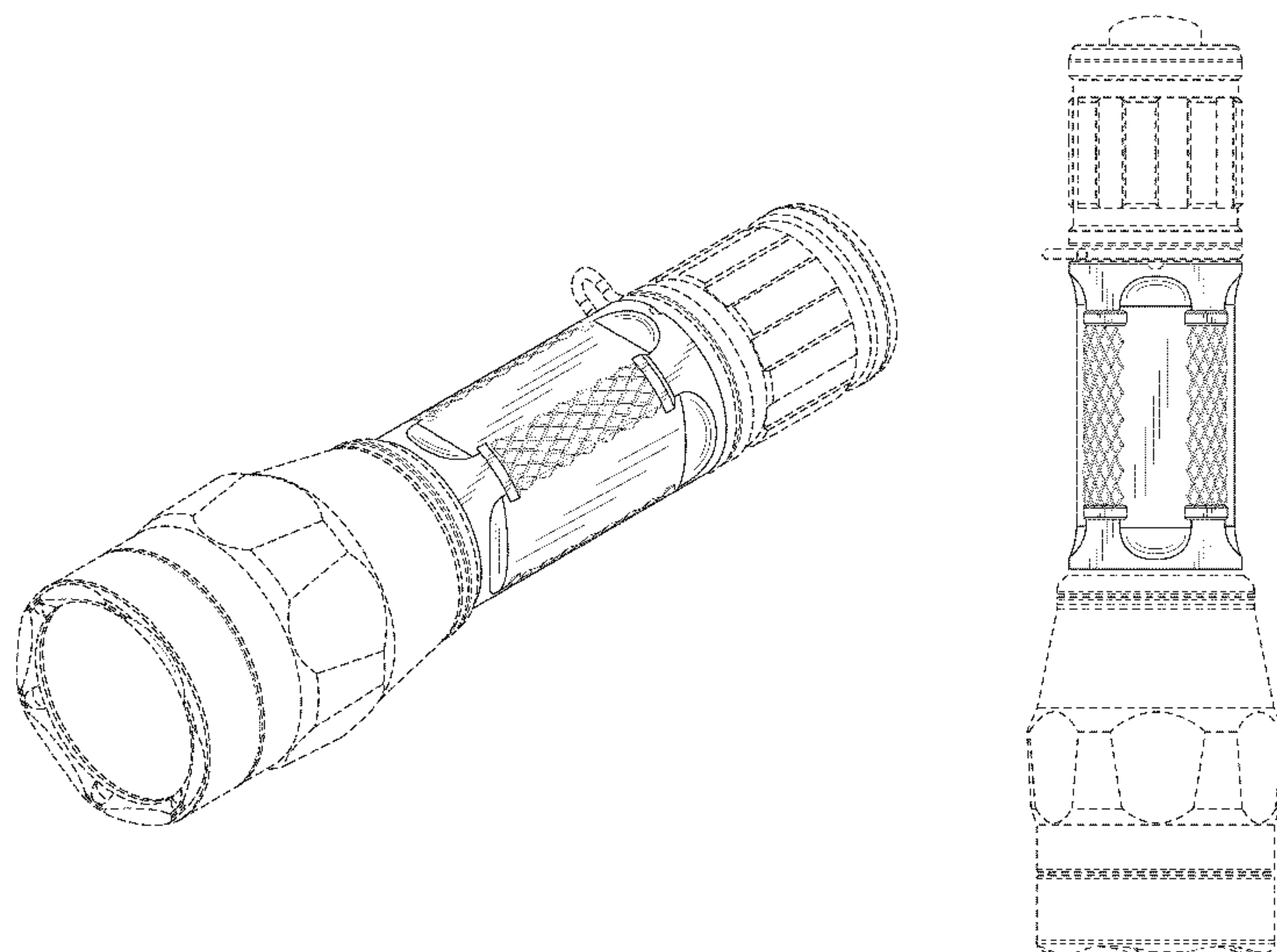
U.S. PATENT DOCUMENTS

DESCRIPTION

D433,171 S 10/2000 Petterson et al.
D486,935 S 2/2004 Shiu
D486,936 S 2/2004 Shiu
D486,937 S 2/2004 Shiu
D488,877 S 4/2004 Shin
D496,115 S 9/2004 Lin
D509,008 S 8/2005 Shiu
D529,643 S 10/2006 Kung
D536,118 S 1/2007 Krieger et al.
D549,376 S 8/2007 Shiu
D554,281 S * 10/2007 Bushee et al. D26/37
7,278,764 B2 10/2007 Kim
D554,787 S 11/2007 Shiu
D564,116 S * 3/2008 Linardos D26/49
D566,314 S 4/2008 Jen
D567,415 S 4/2008 Shiu
D570,511 S 6/2008 Shiu

FIG. 1 is a front perspective view of a lighting device showing my new design;
FIG. 2 is a rear perspective view thereof;
FIG. 3 is a right side elevational view thereof;
FIG. 4 is a left side elevational view thereof;
FIG. 5 is a top plan view thereof;
FIG. 6 is a bottom plan view thereof;
FIG. 7 is a front side elevational view thereof; and,
FIG. 8 is a rear side elevational view thereof.
The broken lines in the drawings illustrate environmental features and form no part of the claimed design.

1 Claim, 7 Drawing Sheets



(56)

References Cited

U.S. PATENT DOCUMENTS

D598,151 S	8/2009	McGraw	
D599,928 S *	9/2009	Shiu	D26/49
D601,287 S	9/2009	Caniparoli	
D601,737 S *	10/2009	Swan	D26/49
7,604,371 B2	10/2009	Bushee et al.	
D604,877 S *	11/2009	Kung	D26/49
7,686,472 B1	3/2010	Huang	
D621,538 S	8/2010	Bushee	
D629,541 S	12/2010	Riley	
D629,542 S	12/2010	Robinson	
D629,545 S	12/2010	Deguglimo et al.	
D629,940 S	12/2010	Osterhout	
D630,783 S	1/2011	Baker et al.	
D630,784 S	1/2011	Robinson et al.	
D639,478 S	6/2011	Nguyen et al.	
D644,775 S *	9/2011	Nguyen et al.	D26/49
D648,467 S *	11/2011	Nguyen et al.	D26/46
D659,270 S	5/2012	Nguyen et al.	
D659,271 S *	5/2012	Nguyen et al.	D26/49
D659,272 S *	5/2012	Nguyen et al.	D26/49
D659,869 S *	5/2012	Prieto	D26/49
D670,418 S *	11/2012	Lee	D26/49
D687,987 S *	8/2013	Ancona et al.	D26/46
2008/0291666 A1	11/2008	Bushee et al.	
2009/0295310 A1	12/2009	Duerr et al.	
2010/0315805 A1 *	12/2010	Dongpan	362/157

* cited by examiner

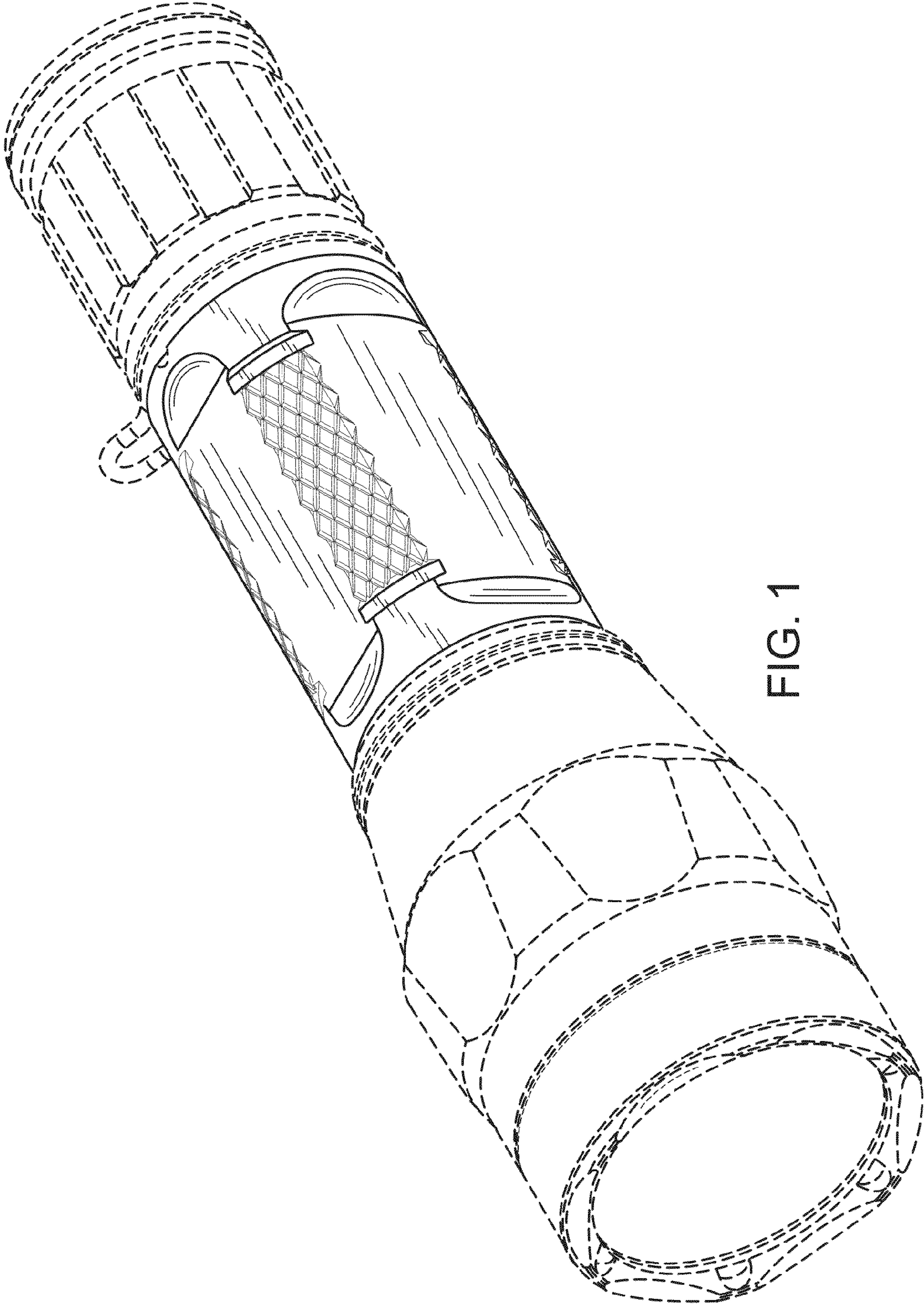


FIG. 1

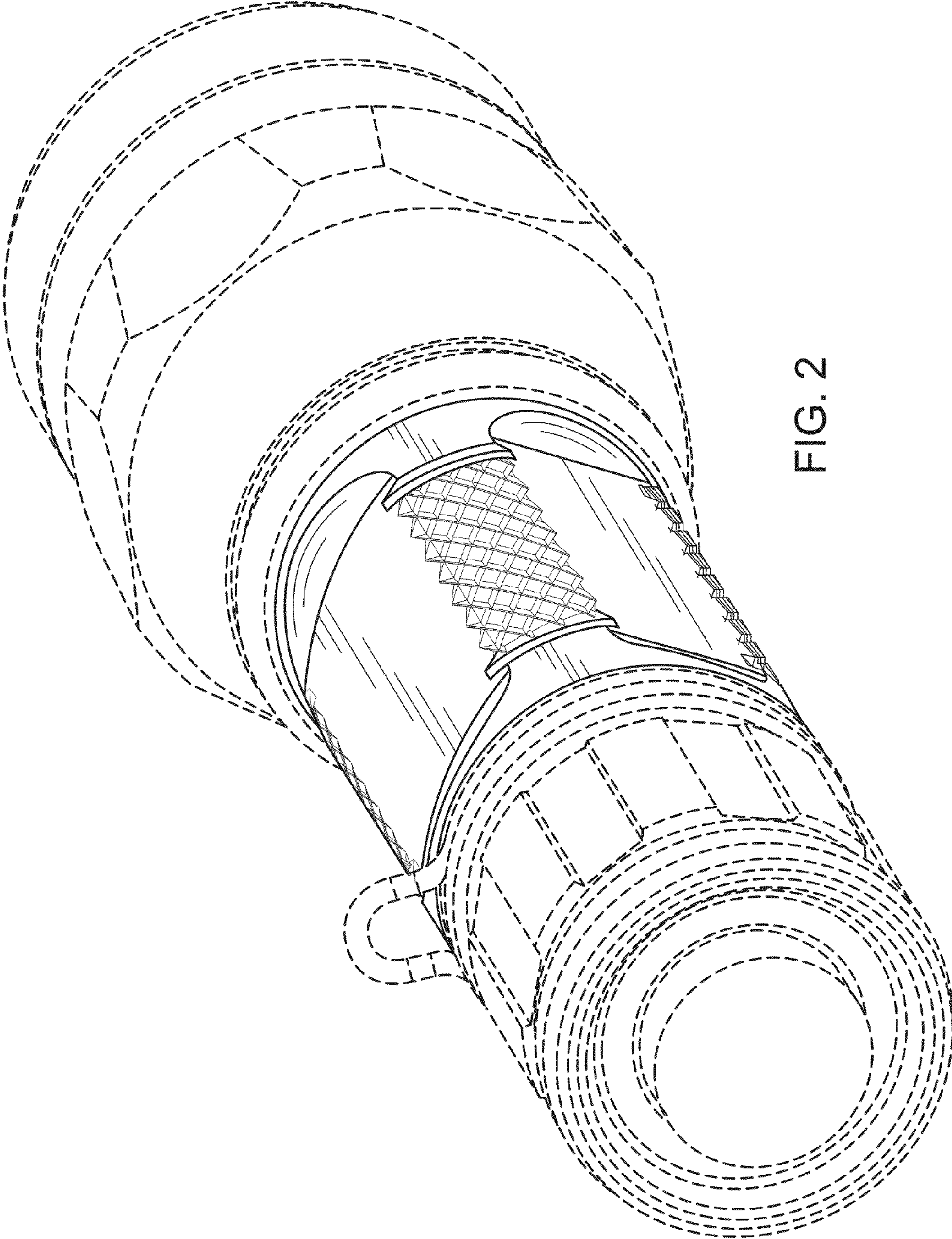


FIG. 2

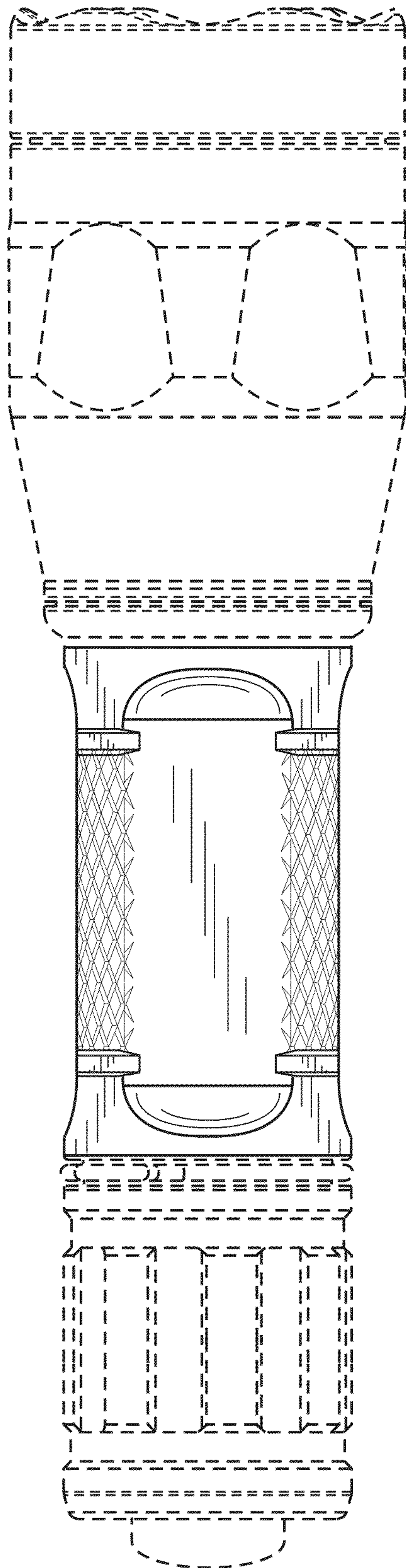


FIG. 3

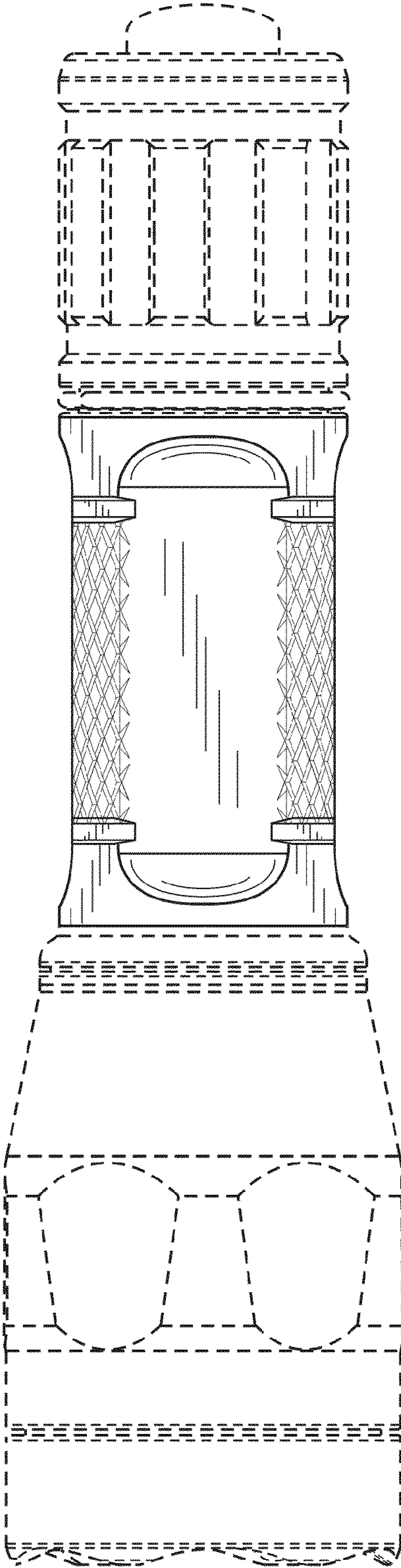


FIG. 4

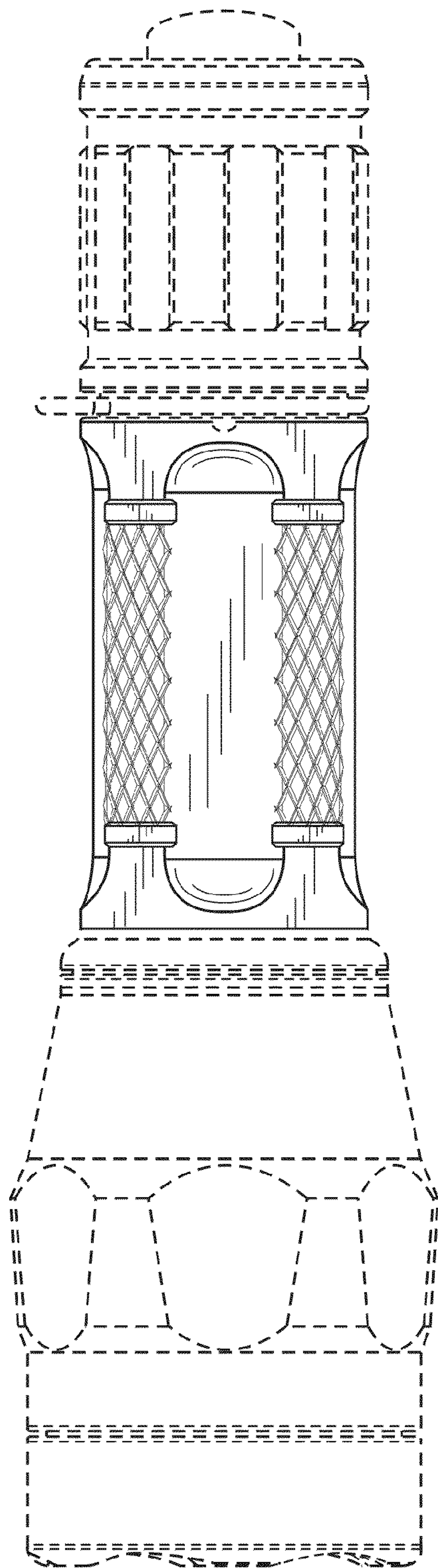


FIG. 5

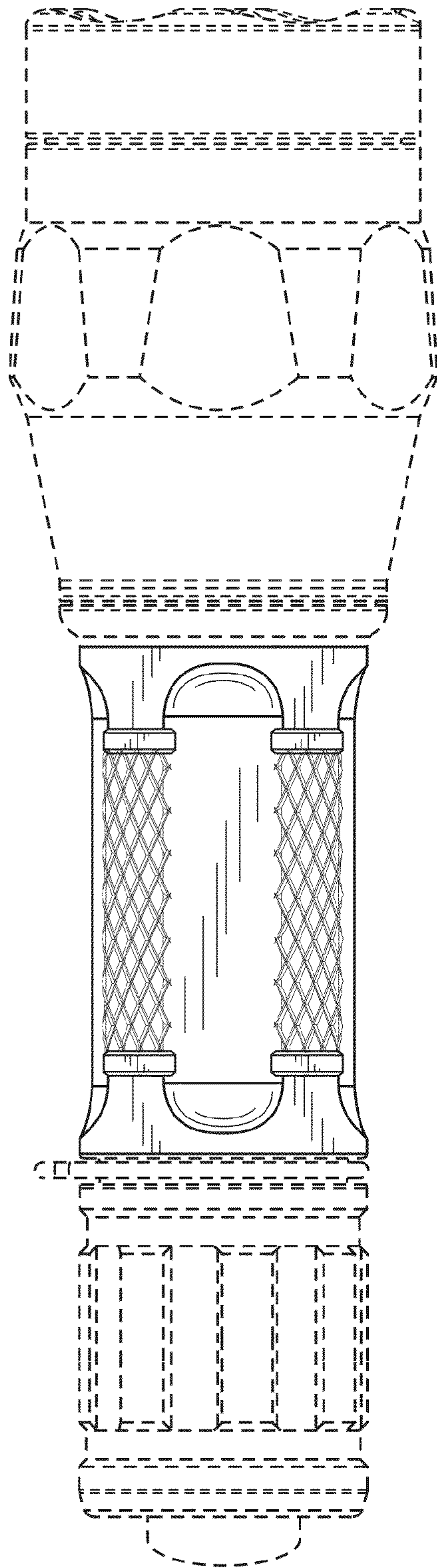


FIG. 6

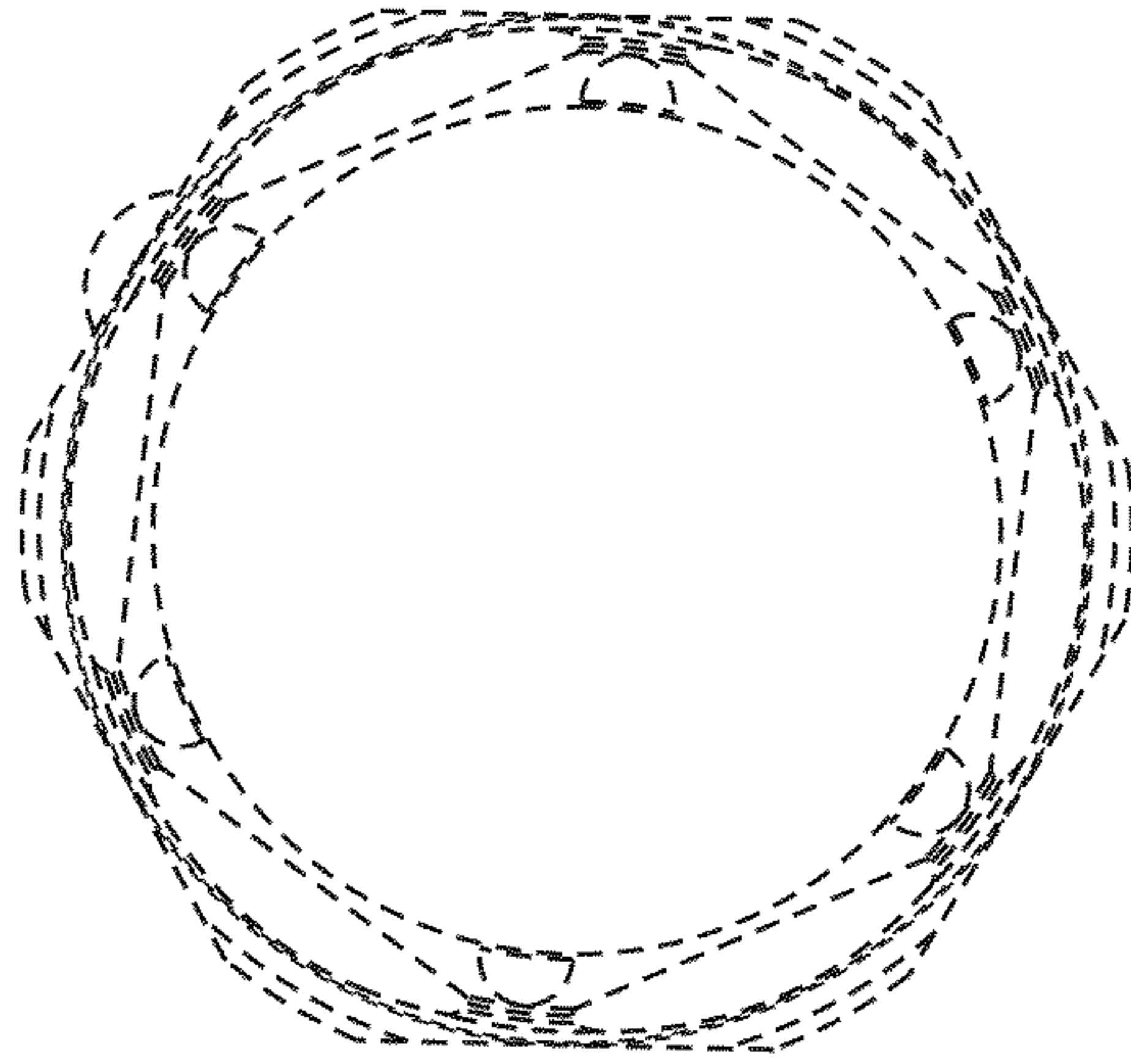


FIG. 7

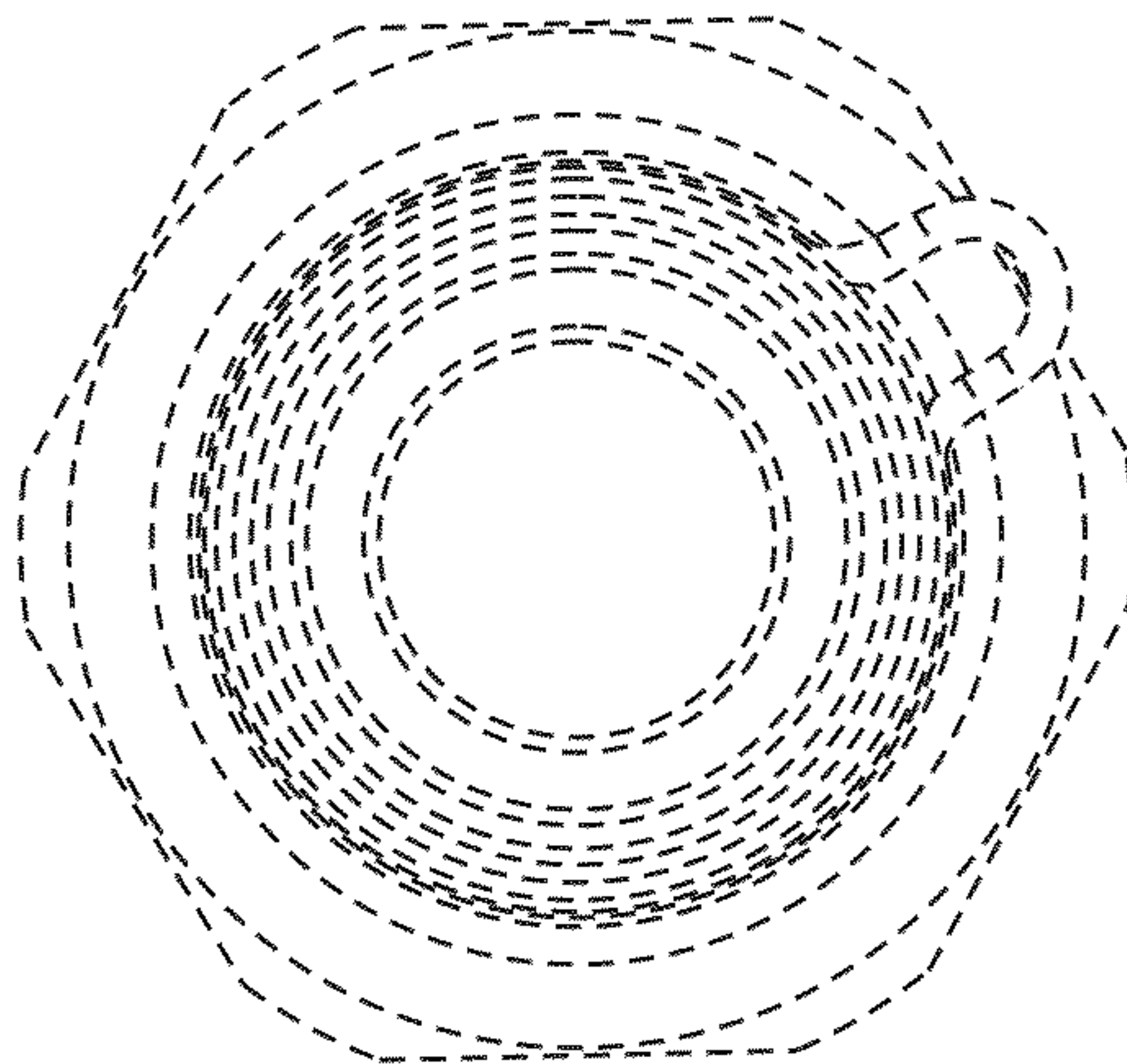


FIG. 8