



US00D709229S

(12) **United States Design Patent**
Wang

(10) **Patent No.:** **US D709,229 S**

(45) **Date of Patent:** **** Jul. 15, 2014**

(54) **FLASHLIGHT**

(71) Applicant: **Shih-Hao Wang**, Tainan (TW)

(72) Inventor: **Shih-Hao Wang**, Tainan (TW)

(**) Term: **14 Years**

(21) Appl. No.: **29/440,229**

(22) Filed: **Dec. 20, 2012**

(51) **LOC (10) Cl.** **26-02**

(52) **U.S. Cl.**
USPC **D26/49**

(58) **Field of Classification Search**
USPC D26/37, 38, 46, 49; 362/157, 158, 183,
362/184, 194-196, 202-208
See application file for complete search history.

(56) **References Cited**

U.S. PATENT DOCUMENTS

D481,816 S *	11/2003	Sharrah et al.	D26/49
D484,627 S *	12/2003	Mah	D26/49
D601,284 S *	9/2009	Schonenbach	D26/46
D603,989 S *	11/2009	Gardner et al.	D26/49
D641,509 S *	7/2011	Wang	D26/46
D641,510 S *	7/2011	Wang	D26/46
D641,512 S *	7/2011	Wang	D26/46
D644,365 S *	8/2011	Yuen	D26/49
D650,503 S *	12/2011	Wang	D26/46
D656,649 S *	3/2012	Yeh	D26/46
D656,650 S *	3/2012	Yeh	D26/46
D664,693 S *	7/2012	Yeh	D26/46
D687,990 S *	8/2013	Yeh	D26/46

D687,991 S *	8/2013	Yeh	D26/46
D687,992 S *	8/2013	Yeh	D26/46
D687,995 S *	8/2013	Yeh	D26/49
D687,996 S *	8/2013	Yeh	D26/49
D689,227 S *	9/2013	Yeh	D26/46
D689,228 S *	9/2013	Yeh	D26/46
D689,229 S *	9/2013	Yeh	D26/49
D689,230 S *	9/2013	Yeh	D26/49
D690,448 S *	9/2013	Yeh	D26/46

* cited by examiner

Primary Examiner — Ian Simmons

Assistant Examiner — Carissa C Fitts

(74) *Attorney, Agent, or Firm* — Alan Kamrath; Kamrath IP Lawfirm, P.A.

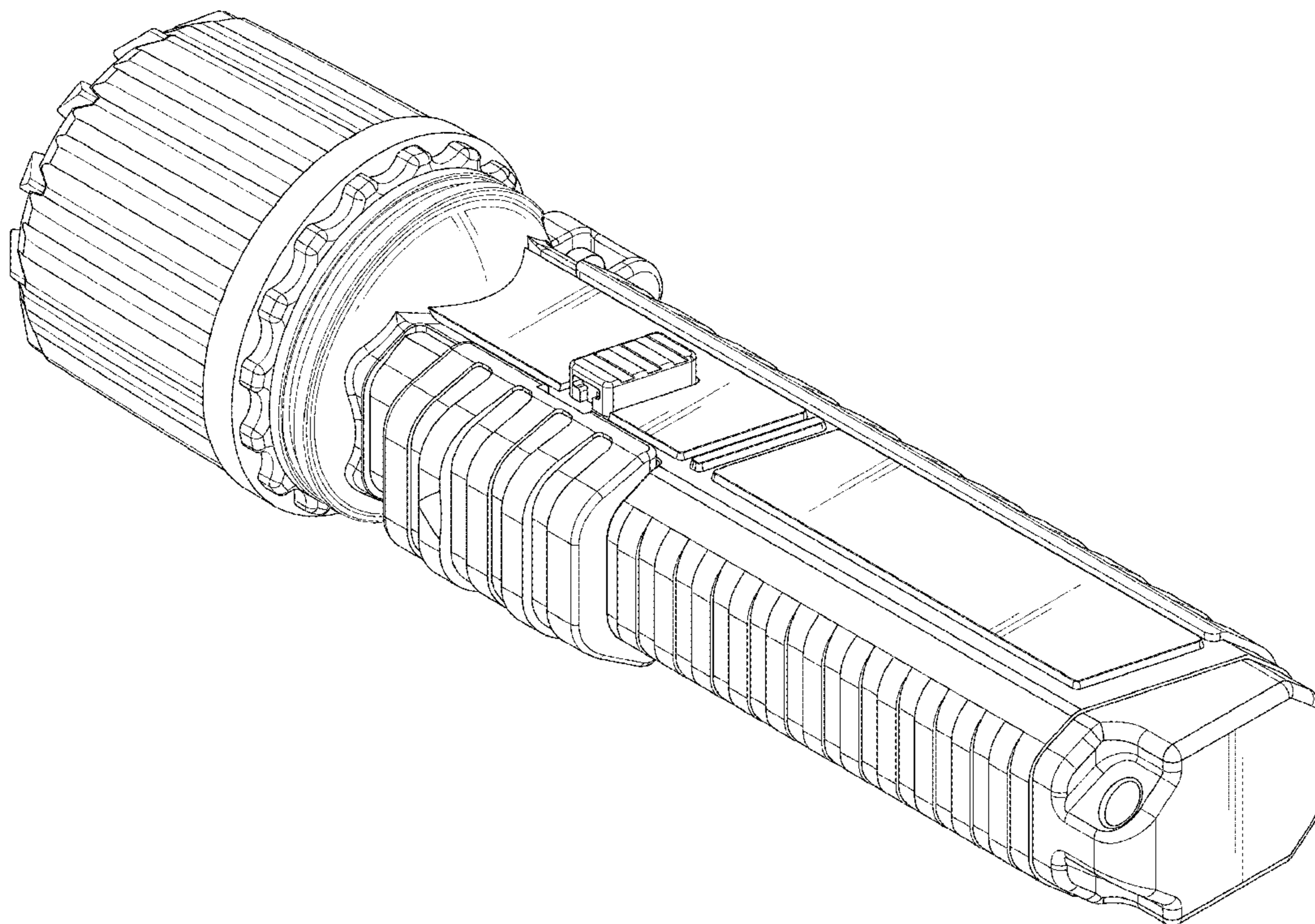
(57) **CLAIM**

The ornamental design for a flashlight, as shown and described.

DESCRIPTION

FIG. 1 is a perspective view of a flashlight showing my new design;
FIG. 2 is a front side elevational view thereof;
FIG. 3 is a rear side elevational view thereof;
FIG. 4 is a left side elevational view thereof;
FIG. 5 is a right side elevational view thereof;
FIG. 6 is a top plan view thereof; and,
FIG. 7 is a bottom plan view thereof.
The broken line showing is for environmental purposes only and forms no part of the claimed design.

1 Claim, 6 Drawing Sheets



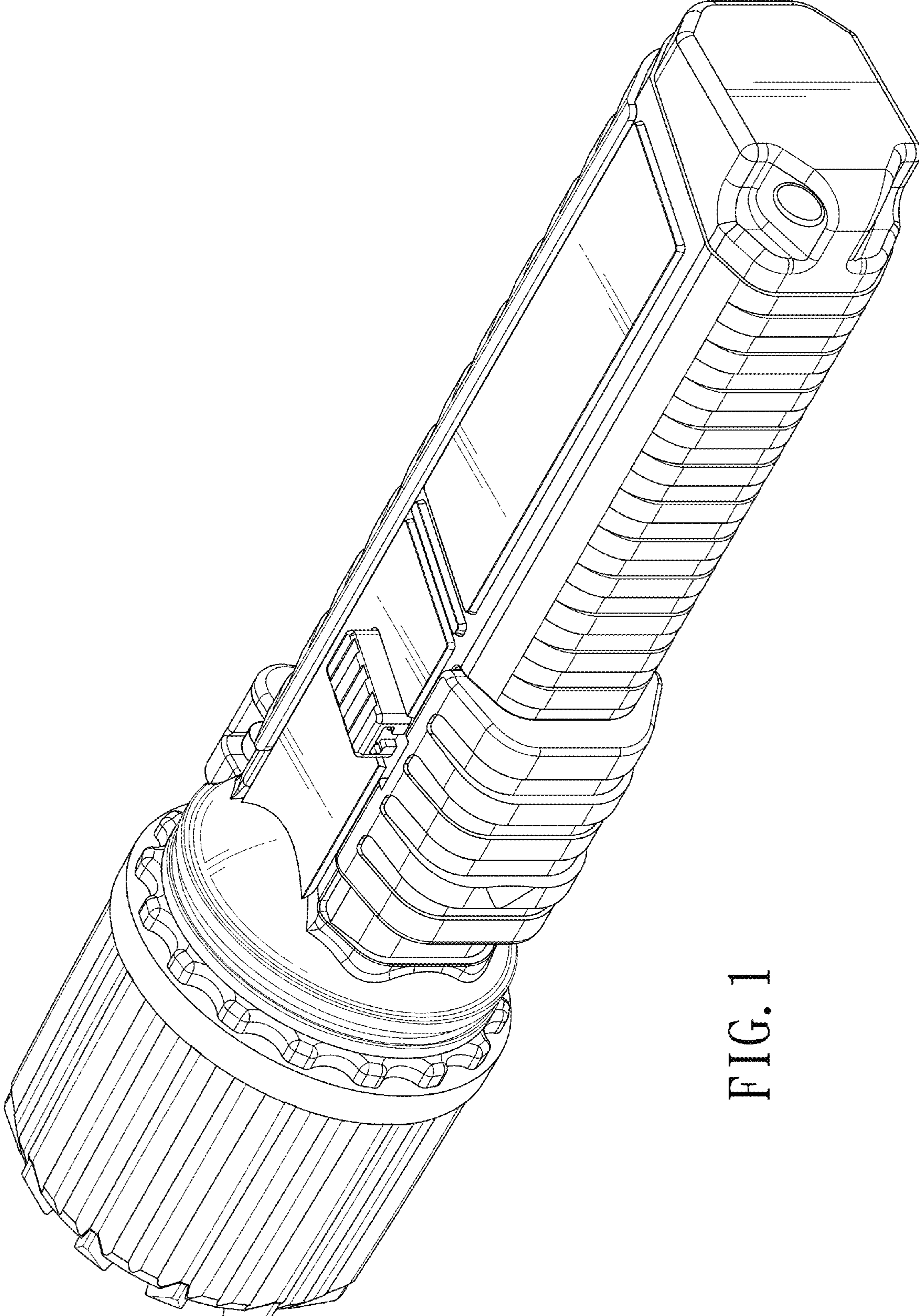


FIG. 1

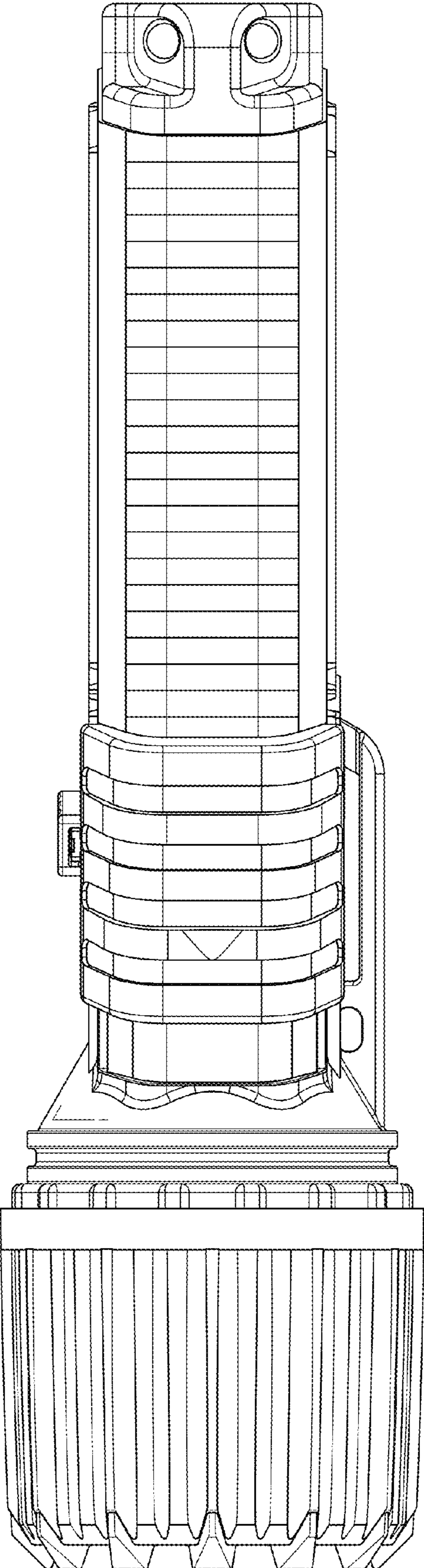


FIG. 2

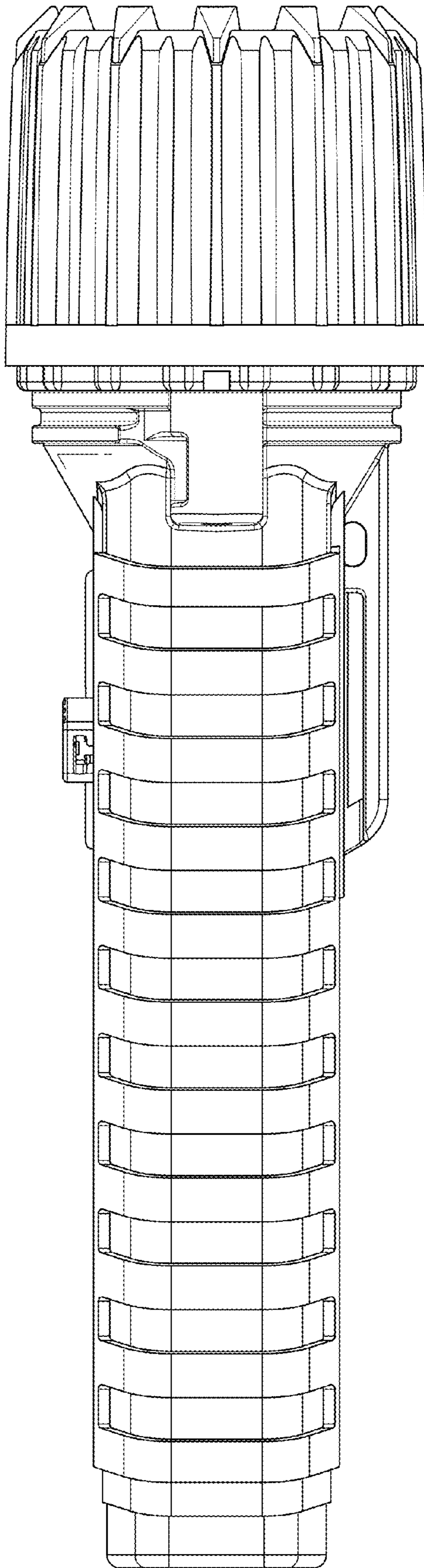


FIG. 3

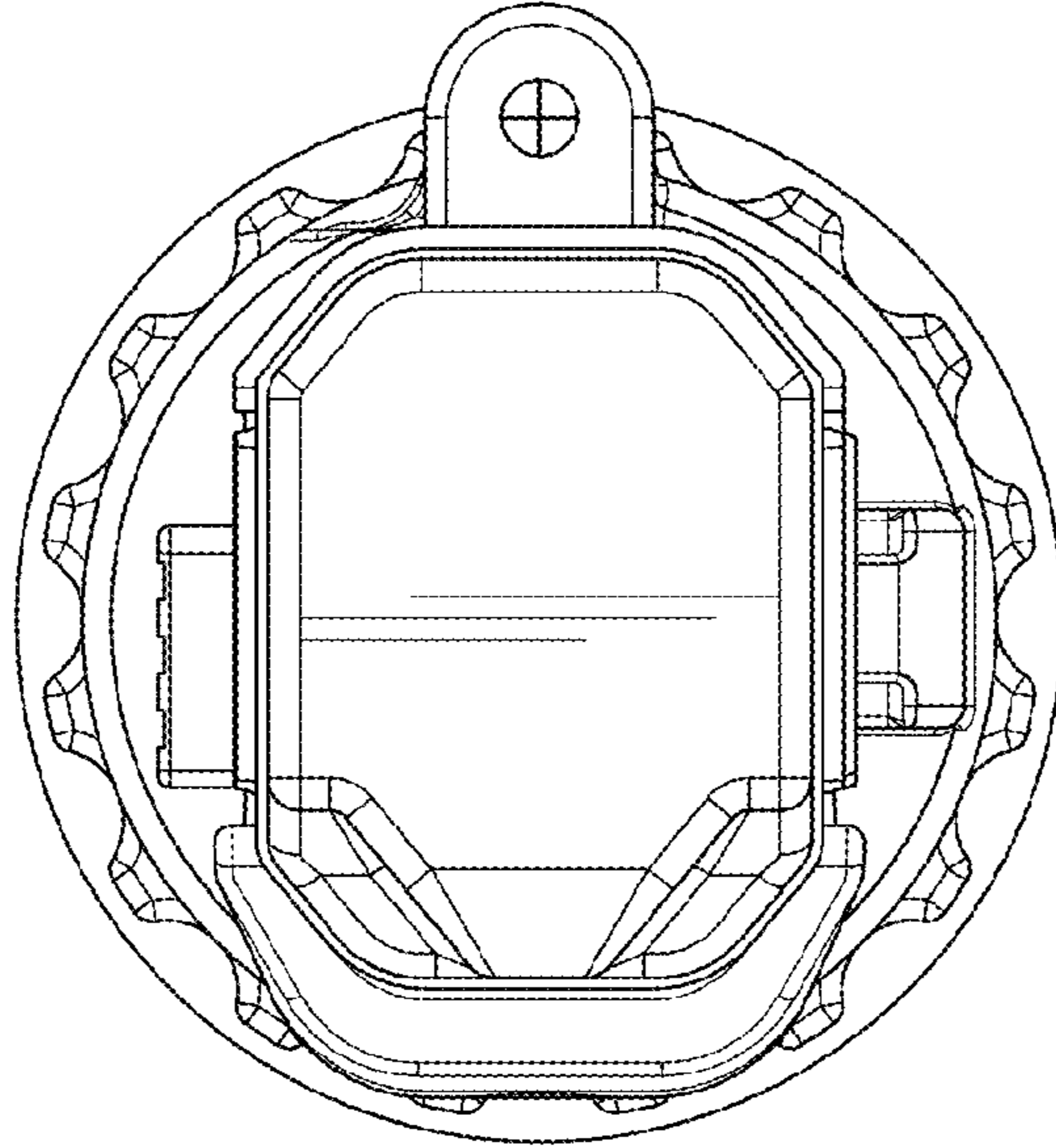


FIG. 5

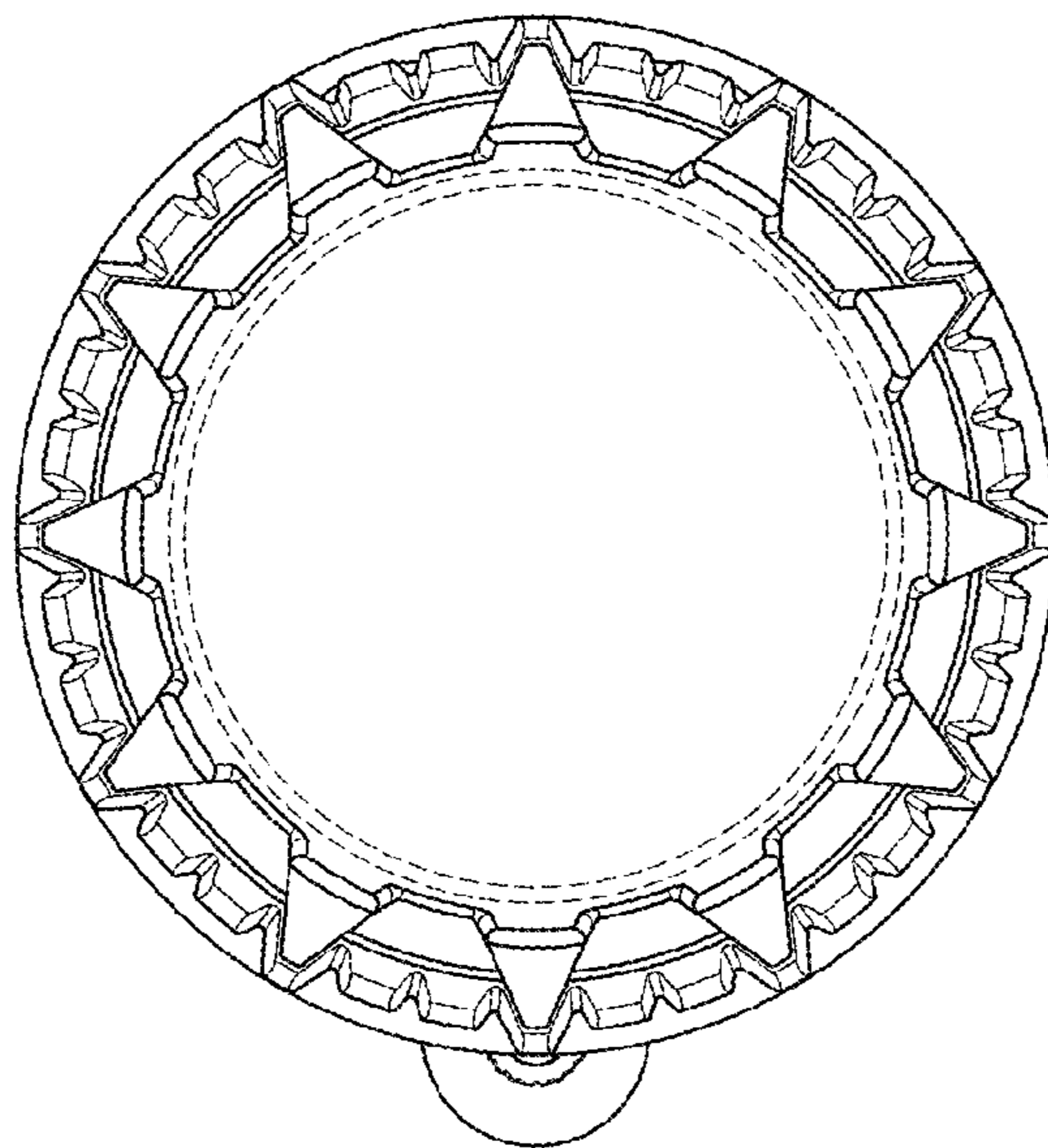


FIG. 4

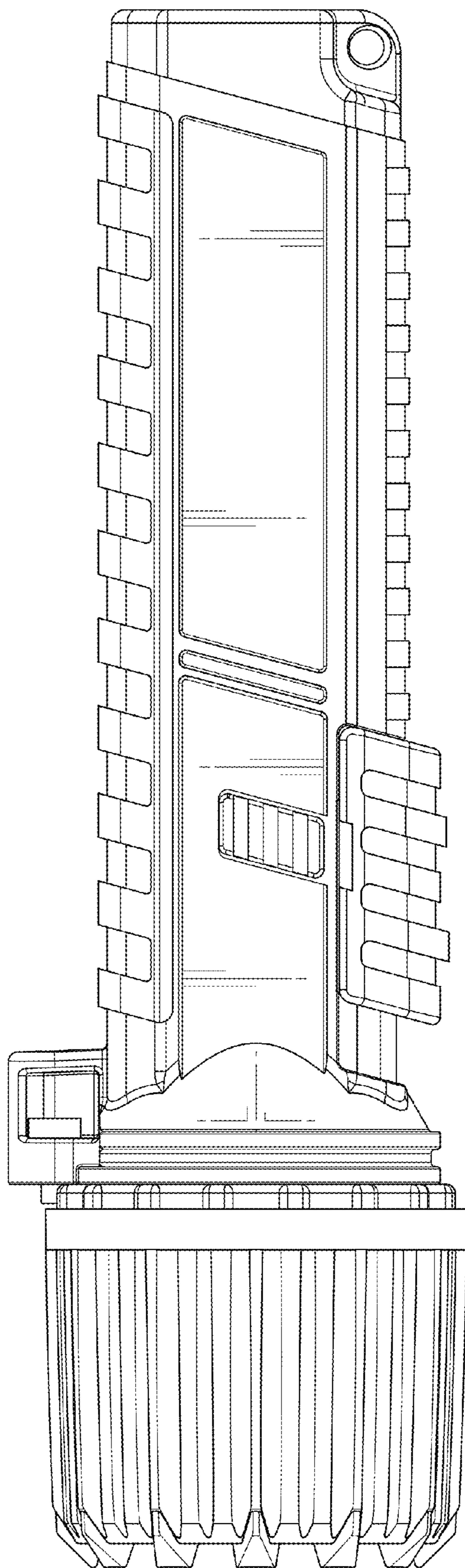


FIG. 6

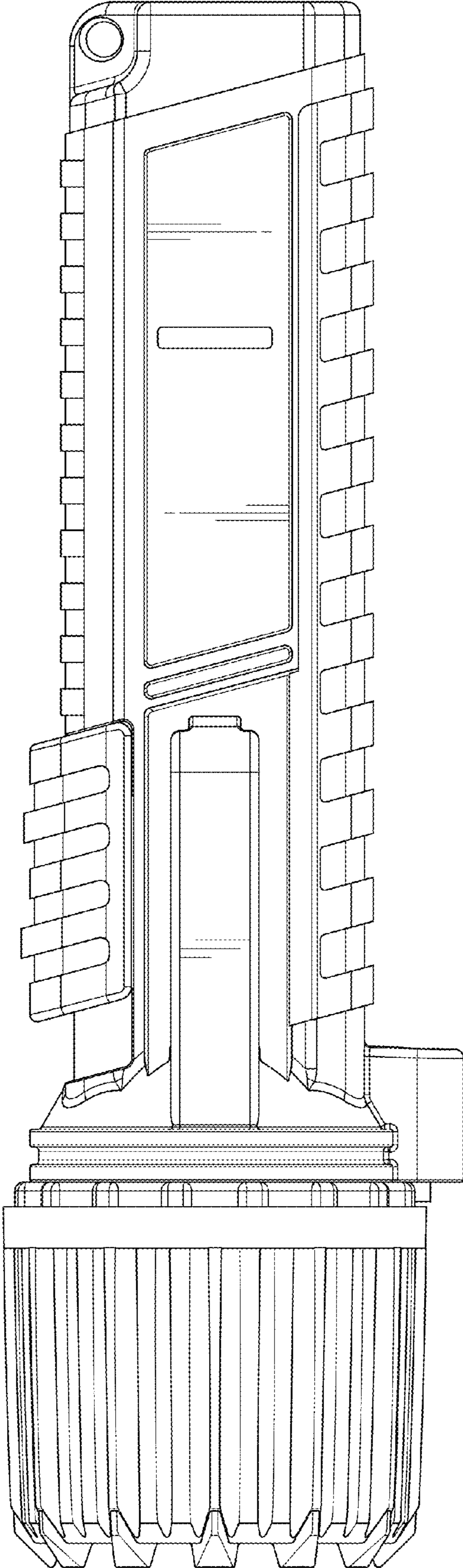


FIG. 7