



US00D709228S

(12) **United States Design Patent**
Petzl

(10) **Patent No.:** **US D709,228 S**
(45) **Date of Patent:** **** Jul. 15, 2014**

(54) **LAMP**

(71) Applicant: **Zedel, Crolles (FR)**

(72) Inventor: **Paul Petzl, Barraux (FR)**

(73) Assignee: **Zedel, Crolles (FR)**

(**) Term: **14 Years**

(21) Appl. No.: **29/445,083**

(22) Filed: **Feb. 7, 2013**

(30) **Foreign Application Priority Data**

Aug. 7, 2012 (EP) 002084715

(51) **LOC (10) Cl.** **26-02**

(52) **U.S. Cl.**
USPC **D26/39**

(58) **Field of Classification Search**
USPC D26/37-39, 46, 48, 49, 50; 362/103,
362/105, 106, 108, 109-112, 157, 158, 183,
362/184, 194-196, 200-208; D16/200,
D16/208, 217; D22/108
See application file for complete search history.

(56) **References Cited**

U.S. PATENT DOCUMENTS

3,030,497 A * 4/1962 Cheng 362/184
D204,227 S * 4/1966 Orenstein D29/103

D223,469 S * 4/1972 Franklin D26/34
D316,556 S * 4/1991 Reddig et al. D16/209
D392,060 S * 3/1998 Chen D26/38
D460,206 S * 7/2002 Brok D26/37
6,517,215 B2 * 2/2003 Mele 362/203
D483,782 S * 12/2003 Lannstedt et al. D16/202
7,066,621 B2 * 6/2006 Booty 362/184
D557,837 S * 12/2007 Shiu D26/37
D564,684 S * 3/2008 Leung et al. D26/37
D611,629 S * 3/2010 Sharrah et al. D26/39
D630,359 S * 1/2011 Kang et al. D26/61
D684,717 S * 6/2013 Hicks D26/49
8,573,797 B2 * 11/2013 Spartano et al. 362/191

* cited by examiner

Primary Examiner — Ian Simmons

Assistant Examiner — Carissa C Fitts

(74) *Attorney, Agent, or Firm* — Oliff PLC

(57) **CLAIM**

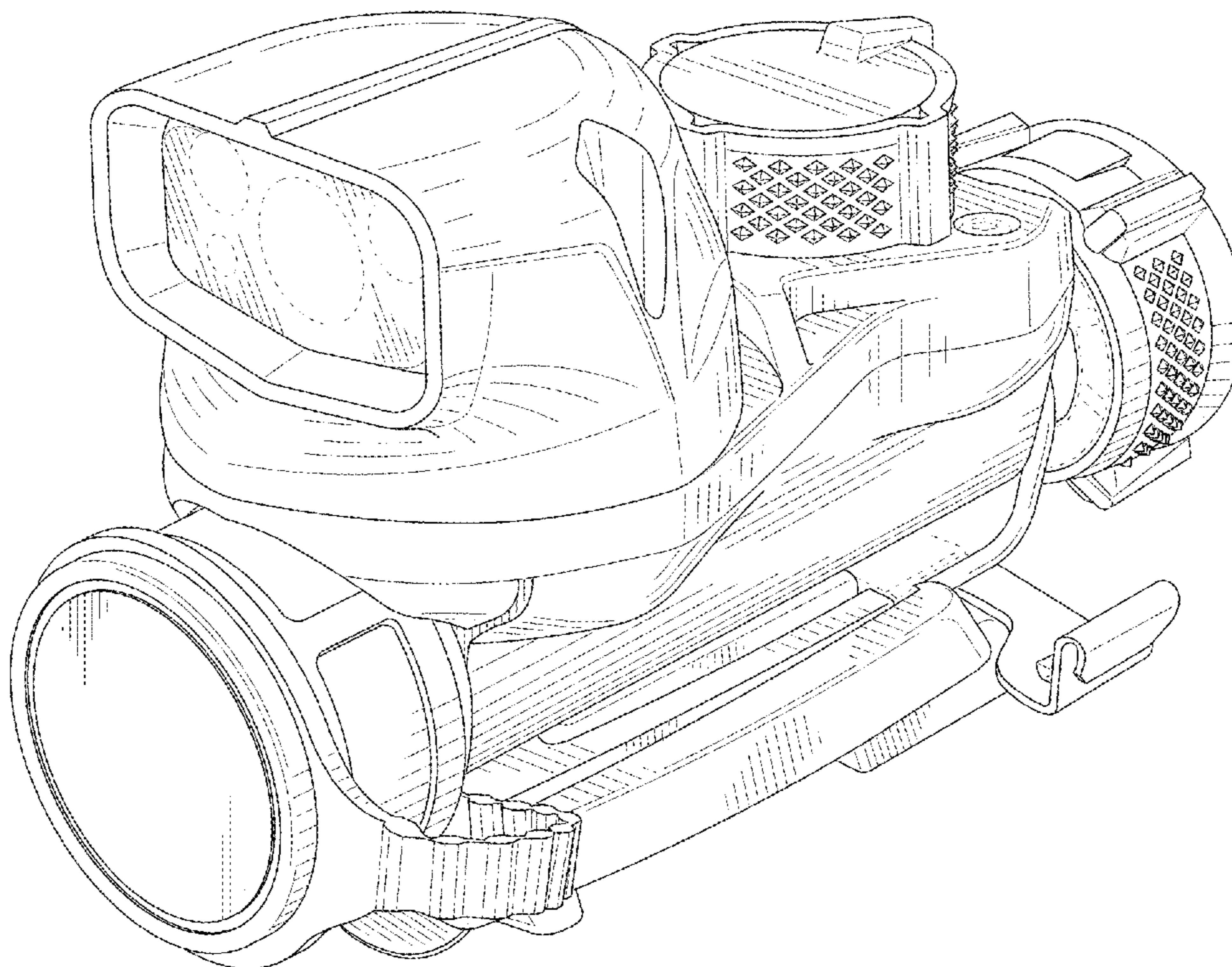
The ornamental design for a lamp, as shown and described.

DESCRIPTION

FIG. 1 is a perspective view of a lamp;
FIG. 2 is a front view thereof;
FIG. 3 is a top view thereof;
FIG. 4 is a right-side view thereof;
FIG. 5 is a left-side view thereof;
FIG. 6 is a bottom view thereof; and,
FIG. 7 is a rear view thereof.

The broken lines depict unclaimed portions only and form no part of the claimed design.

1 Claim, 7 Drawing Sheets



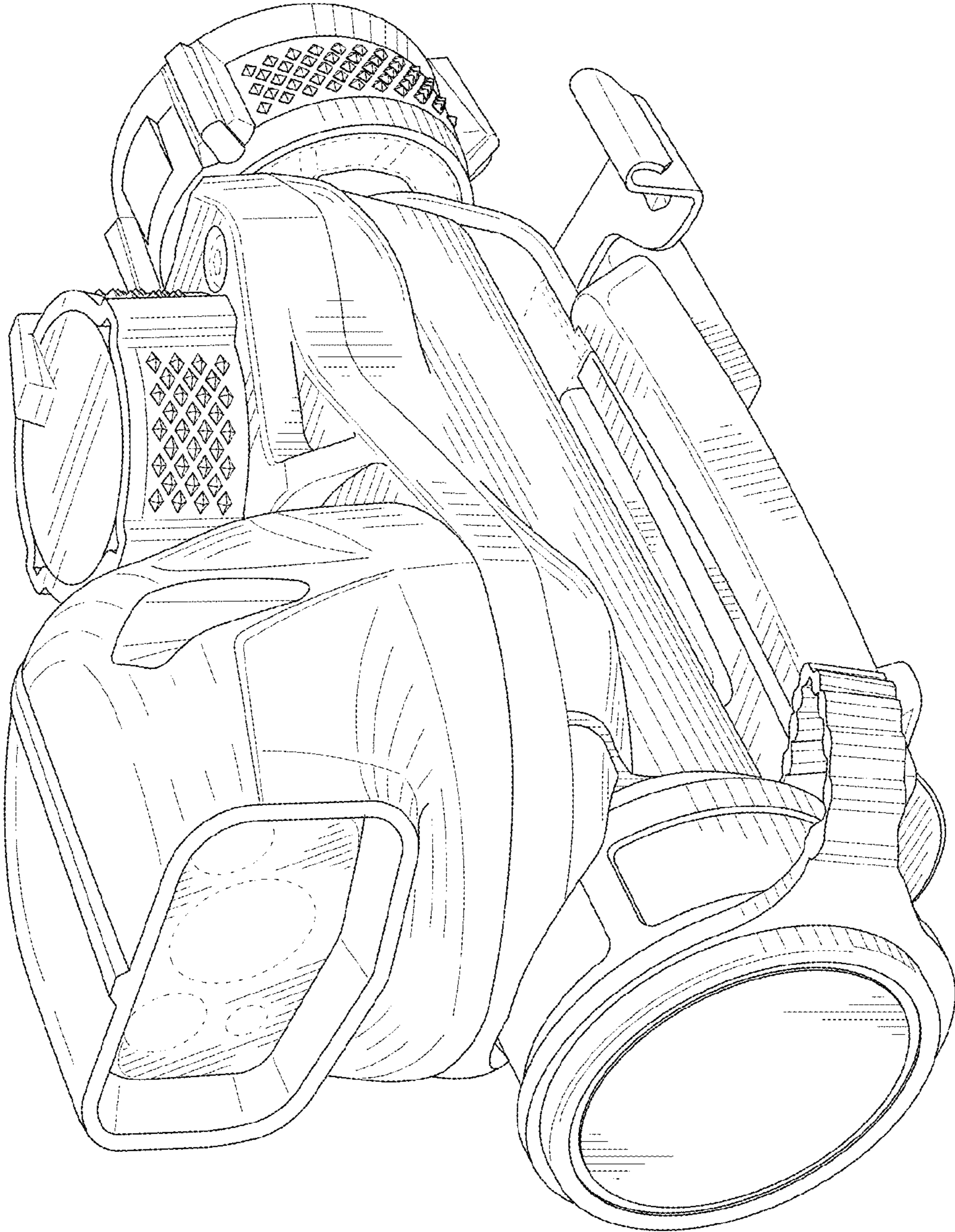


FIG. 1

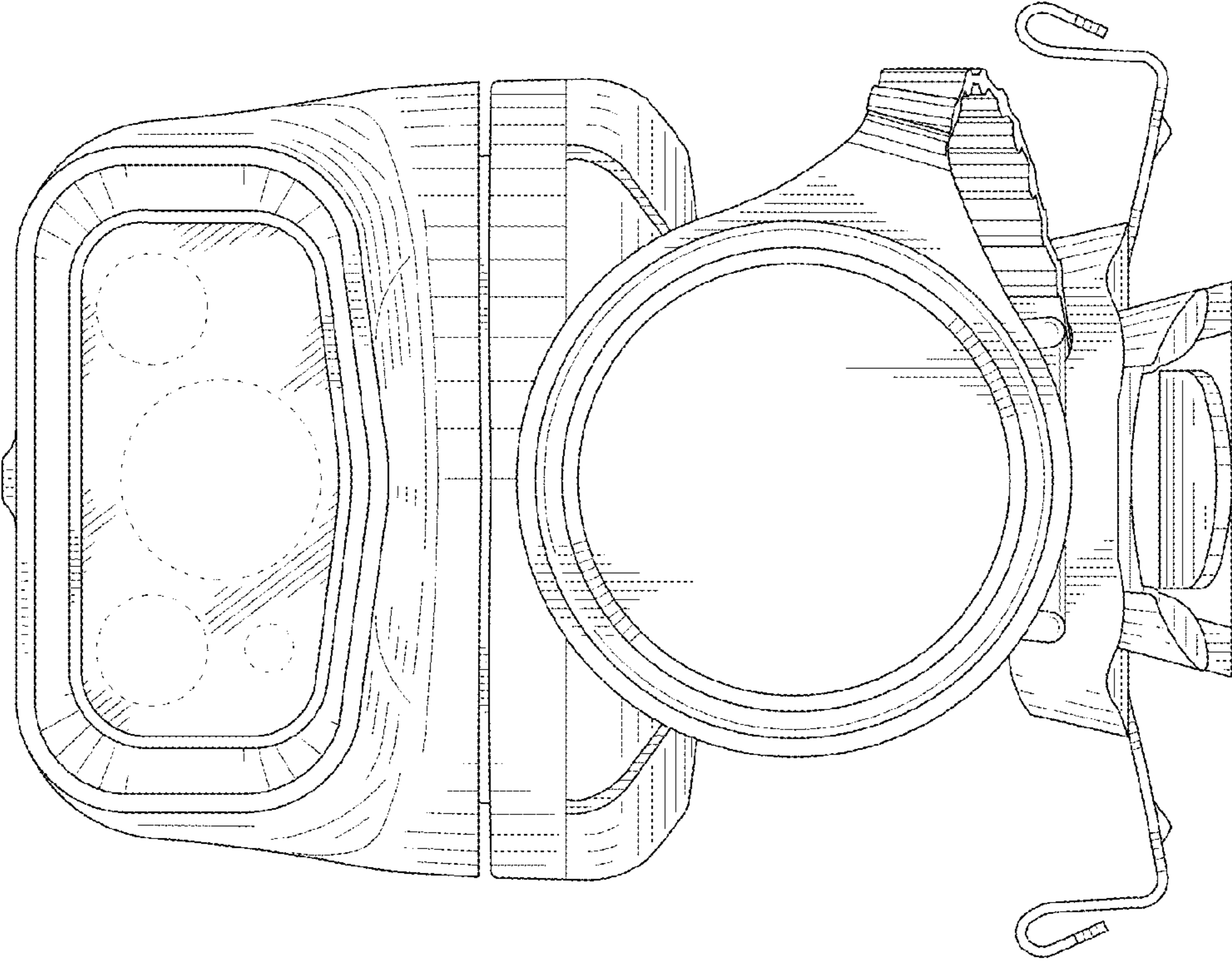


FIG. 2

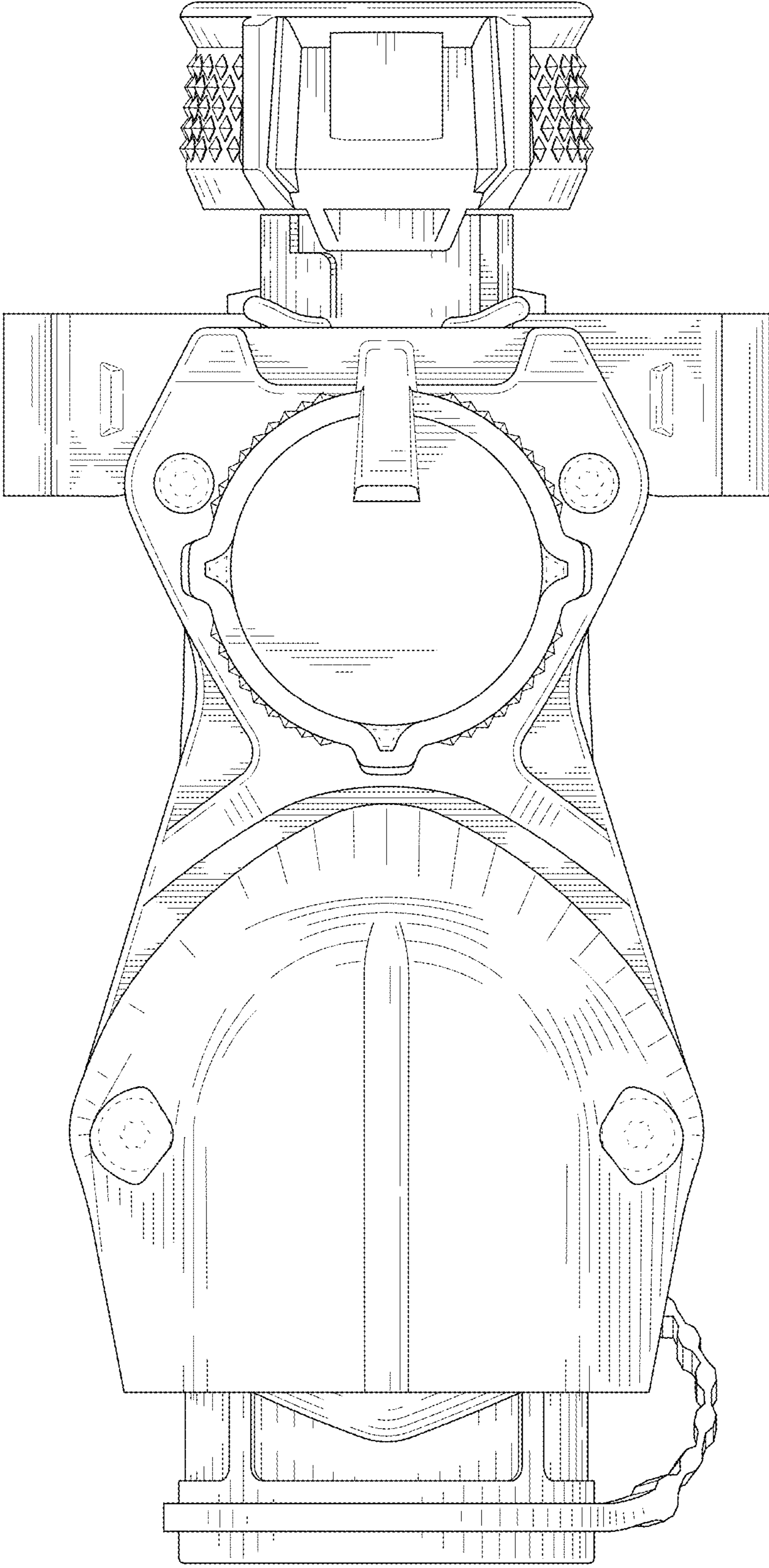


FIG. 3

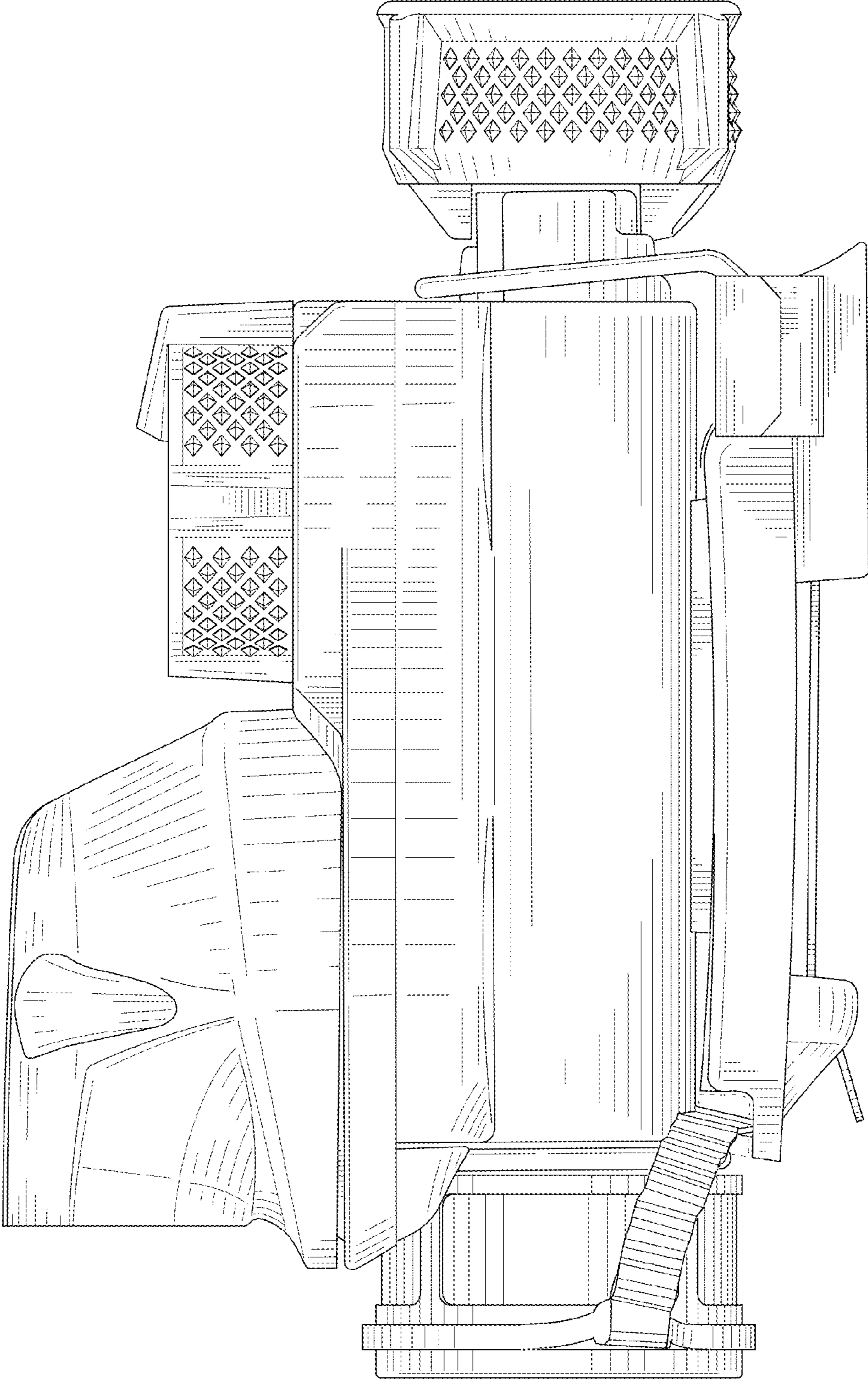


FIG. 4

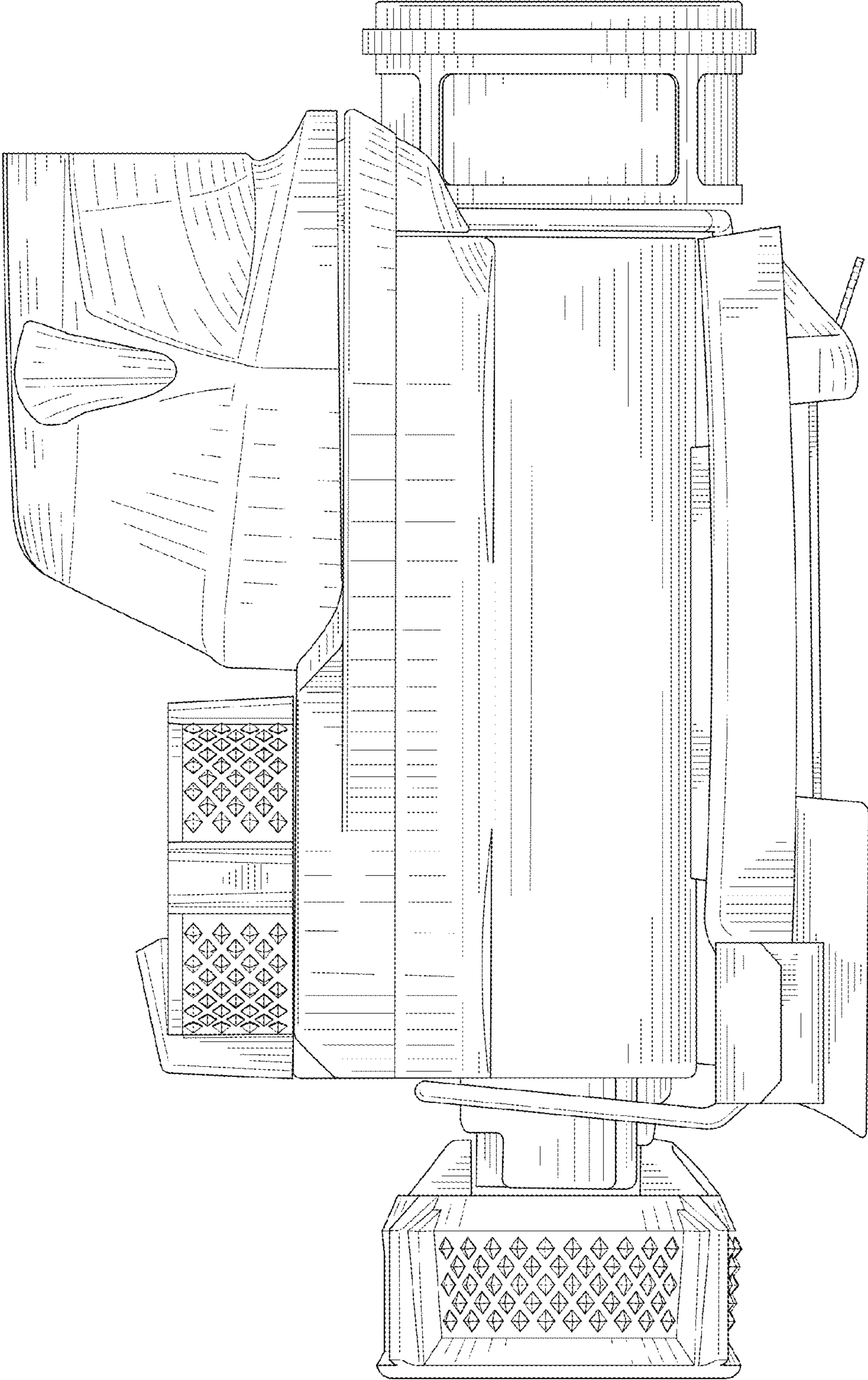


FIG. 5

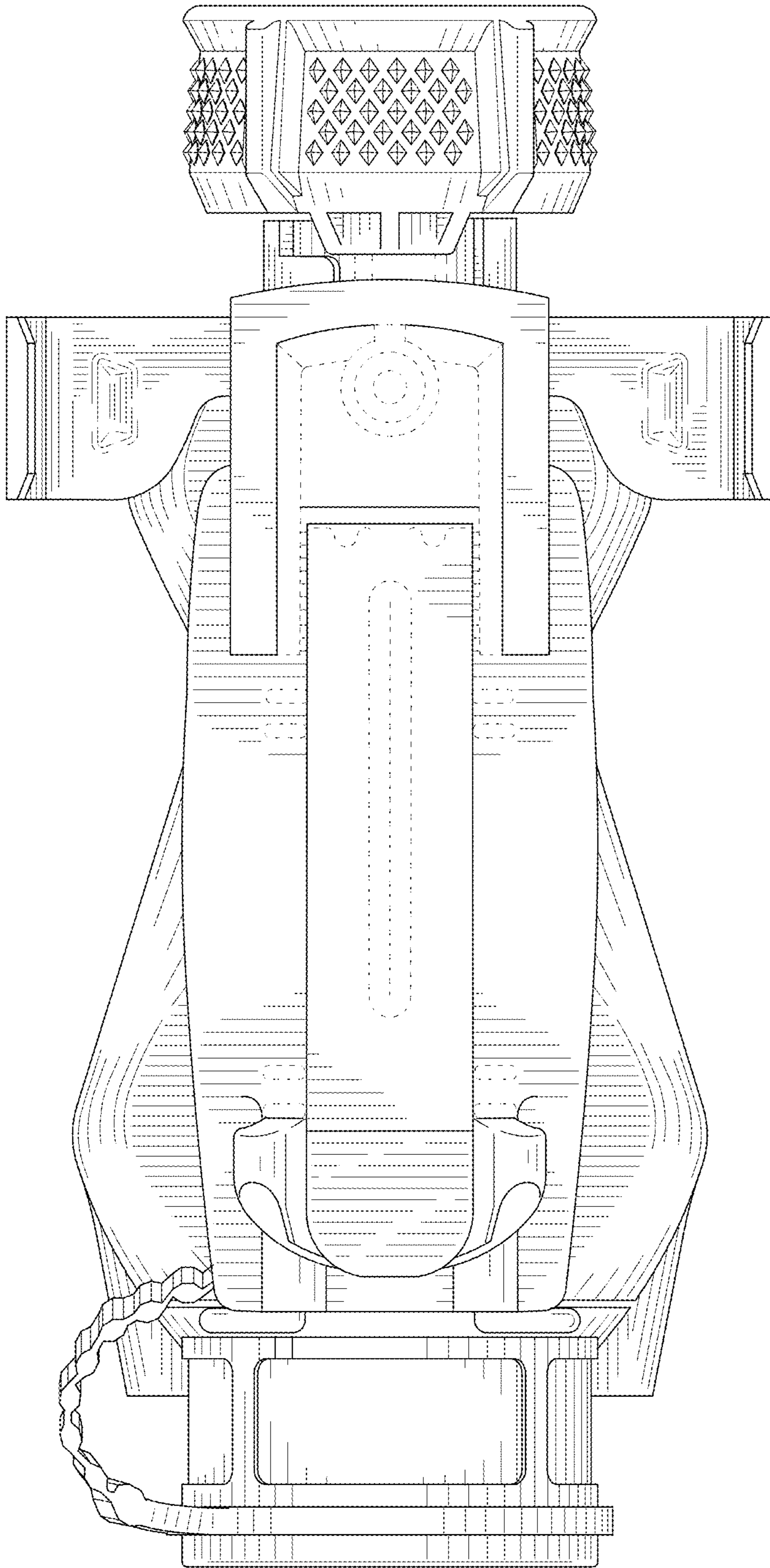


FIG. 6

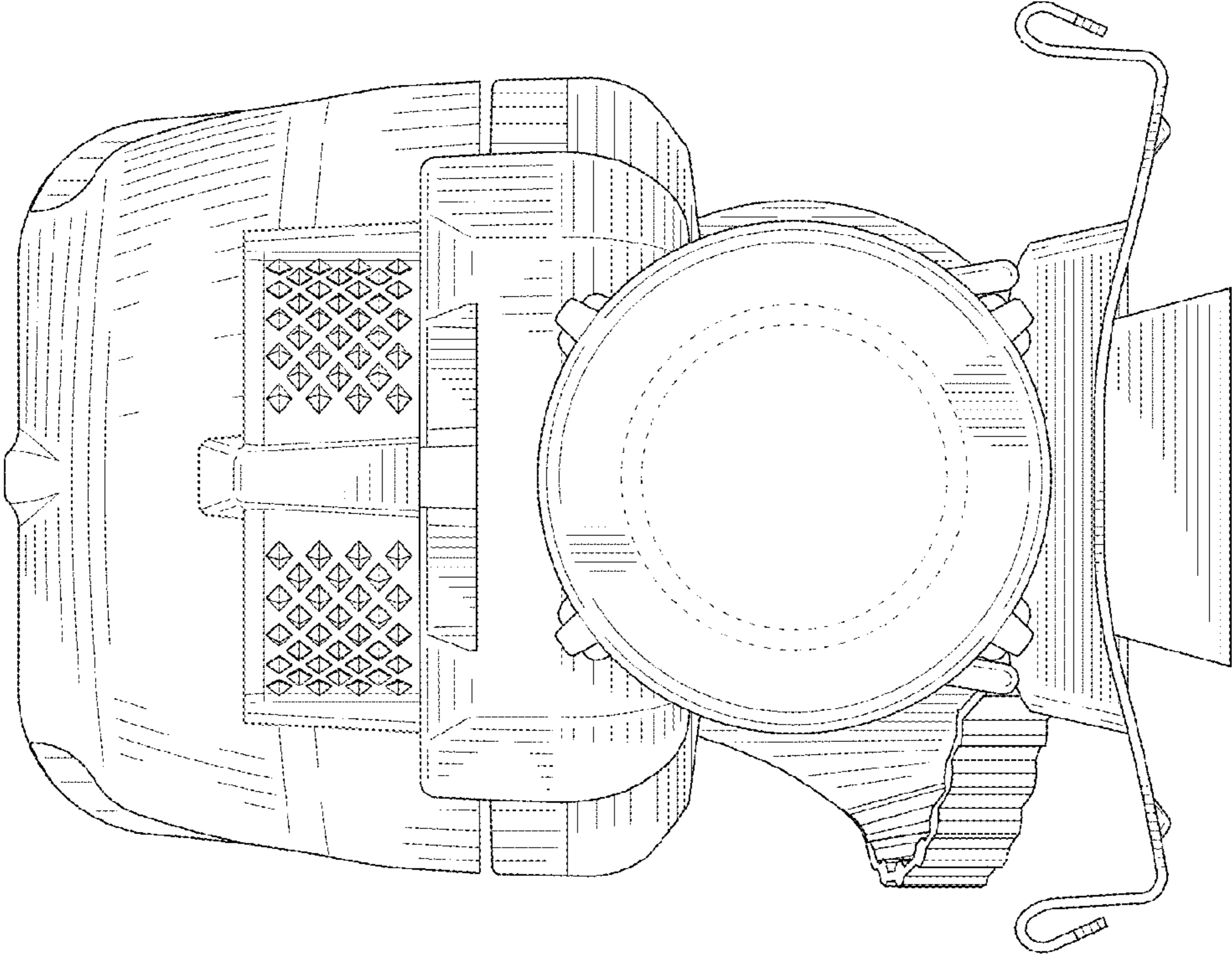


FIG. 7