



US00D709227S

(12) **United States Design Patent**
Huang

(10) **Patent No.:** **US D709,227 S**

(45) **Date of Patent:** **** Jul. 15, 2014**

(54) **AUTOMOBILE LIGHT STRIP**

(75) Inventor: **Yao Hung Huang**, Tainan (TW)

(73) Assignee: **Big Time Auto Parts Manufacturing, Inc.**, Tainan (TW)

(**) Term: **14 Years**

(21) Appl. No.: **29/418,110**

(22) Filed: **Apr. 12, 2012**

(51) **LOC (10) Cl.** **26-06**

(52) **U.S. Cl.**
USPC **D26/31**

(58) **Field of Classification Search**
USPC D26/28-36; 362/459-468, 475-478,
362/485-487

See application file for complete search history.

(56) **References Cited**

U.S. PATENT DOCUMENTS

D374,737 S	10/1996	Can	
5,836,673 A	11/1998	Lo	
6,238,068 B1	5/2001	Farmer, Jr.	
D477,093 S	7/2003	Moriyama et al.	
D477,094 S	7/2003	Moriyama et al.	
6,619,831 B2	9/2003	Kanesaka	
D506,274 S	6/2005	Moriyama et al.	
D526,430 S *	8/2006	Hernandez et al.	D26/31
D531,139 S	10/2006	Egawa et al.	
D532,544 S	11/2006	Woertler	
D565,750 S	4/2008	Egawa	
D570,003 S	5/2008	Eumoto et al.	
D573,272 S	7/2008	Handsaker	
D573,730 S	7/2008	Eumoto et al.	
D576,754 S *	9/2008	Wang	D26/31
D614,780 S	4/2010	Huang	
D642,302 S *	7/2011	Schiavone et al.	D26/28
D643,951 S *	8/2011	Cai	D26/28
D653,783 S *	2/2012	Biro et al.	D26/31

OTHER PUBLICATIONS

Jalopnik Team Party Crash: Live Exclusive Pictures From The Audi R8 Introduction!, accessed via the Internet on Feb. 7, 2012, 2 pages.
JOM Led Lights, 2008, 4 pages from Product Guide.

(Continued)

Primary Examiner — Marcus Jackson

(74) *Attorney, Agent, or Firm* — Lathrop & Gage LLP

(57) **CLAIM**

I claim the ornamental design for an automobile light strip, as shown and described.

DESCRIPTION

FIG. 1 is a perspective view of the automobile light strip according to the present invention installed on the rocker panel of an automobile design;

FIG. 2 is a top, right, front perspective view of the automobile light strip;

FIG. 3 is a front elevational view of the automobile light strip;

FIG. 4 is a rear elevational view of the automobile light strip;

FIG. 5 is a top plan view of the automobile light strip;

FIG. 6 is a bottom plan view of the automobile light strip;

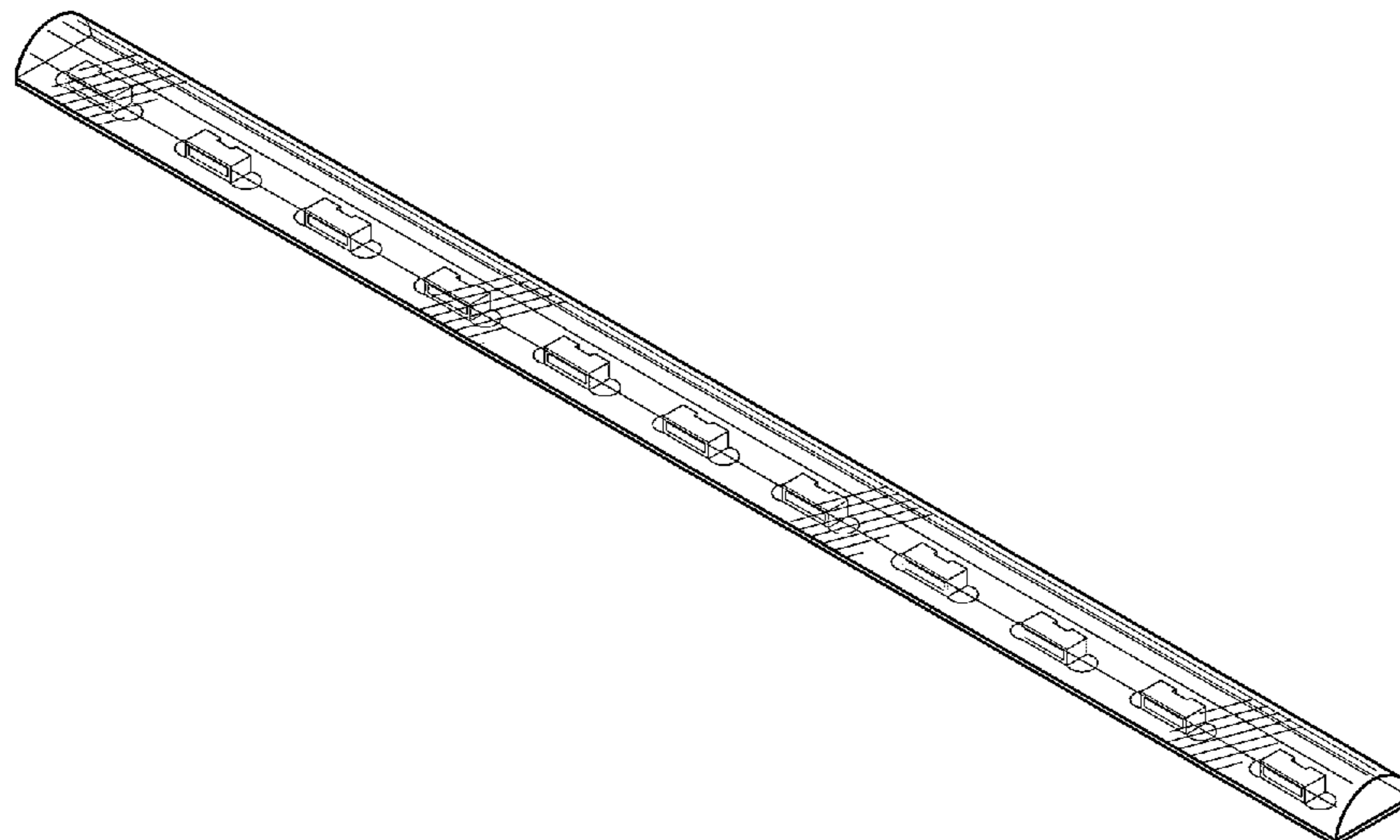
FIG. 7 is a left side elevation view of the automobile light strip;

FIG. 8 is a right side elevation view of the automobile light strip; and,

FIG. 9 is a perspective view of the automobile light strip, which may be flexibly bent to conform with any structure supporting the automobile light strip, for example, as shown in FIG. 1.

Features of the ornamental design shown in dashed lines are expressly disclaimed.

1 Claim, 4 Drawing Sheets



(56)

References Cited

OTHER PUBLICATIONS

Oznum LED Advertisement, accessed on the internet Aug. 26, 2011, 6 pages, <http://web.archive.org/web/20071029013256/http://www.oznum.com>.

Oznum Side Emitting Headlight LED Strip, accessed on the internet Mar. 8, 2012, 3 pages, <http://www.oznum.com/side-emitting-led-strip>.

* cited by examiner

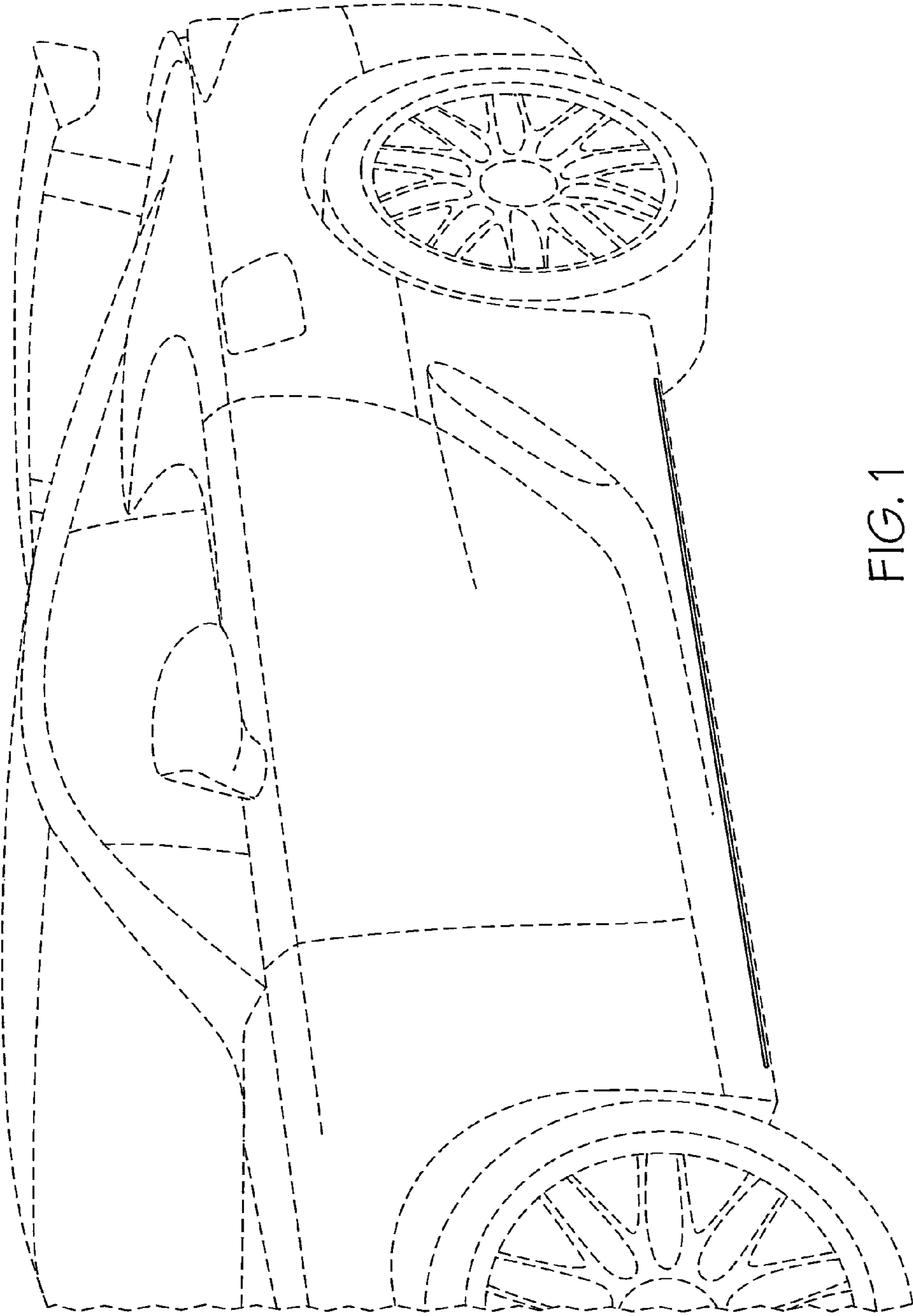


FIG. 1

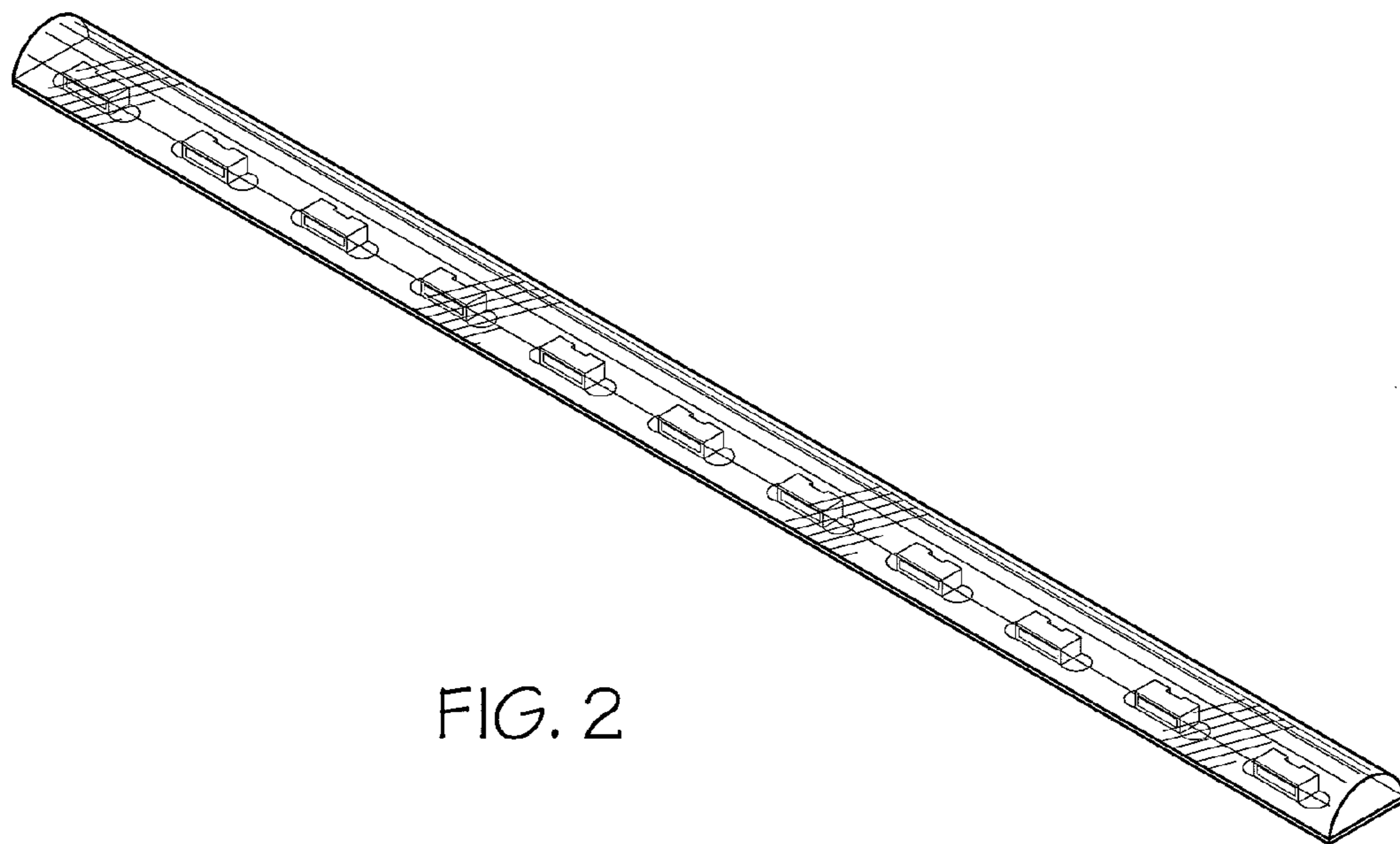


FIG. 2

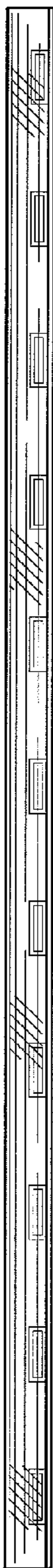


FIG. 3



FIG. 4

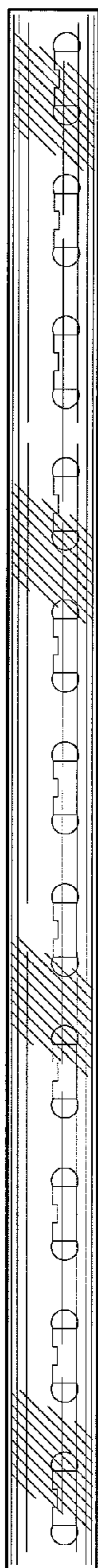


FIG. 5



FIG. 6



FIG. 7



FIG. 8

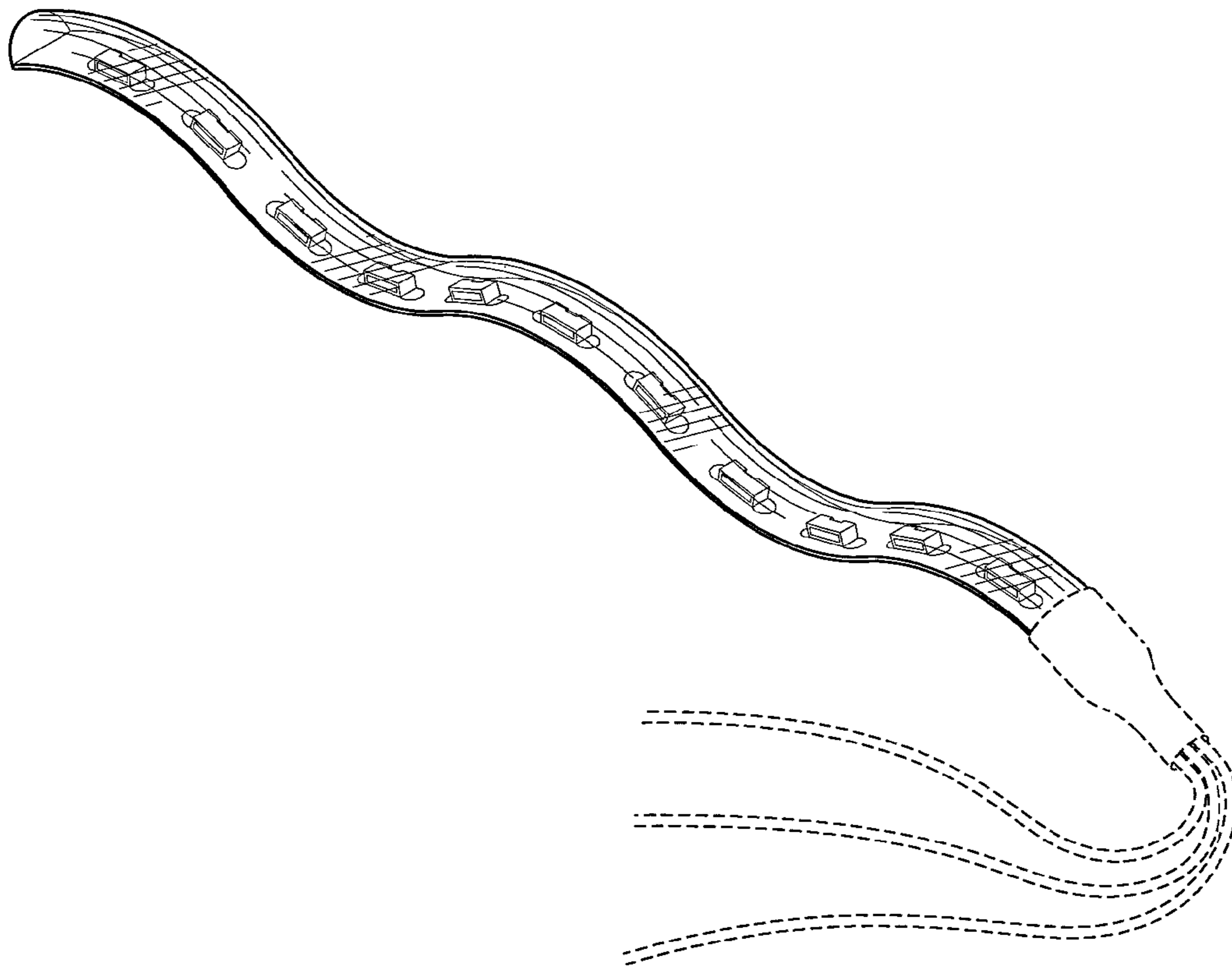


FIG. 9