



US00D709226S

(12) **United States Design Patent**  
**DiPenti et al.**

(10) **Patent No.:** **US D709,226 S**  
(45) **Date of Patent:** **\*\* Jul. 15, 2014**

- (54) **LED HEADLAMP**
- (71) Applicant: **Truck-Lite Co., LLC**, Falconer, NY (US)
- (72) Inventors: **Timothy DiPenti**, Russell, PA (US); **Michael Marley**, Erie, PA (US); **Todd Kolstee**, North Clymer, NY (US); **Ryan Smith**, Lakewood, NY (US)
- (73) Assignee: **Truck-Lite Co., LLC**, Falconer, NY (US)
- (\*\*) Term: **14 Years**
- (21) Appl. No.: **29/473,987**
- (22) Filed: **Nov. 27, 2013**

- D561,358 S \* 2/2008 Tachibana ..... D26/28
- D563,576 S \* 3/2008 Hanaoka ..... D26/28
- D565,758 S 4/2008 Conway
- D567,409 S 4/2008 Opfer
- D569,817 S 5/2008 Ellis
- D577,841 S 9/2008 Opfer
- D583,968 S 12/2008 Simons
- D588,289 S 3/2009 Wagner
- D598,590 S 8/2009 Okamoto

(Continued)

*Primary Examiner* — Marcus Jackson  
(74) *Attorney, Agent, or Firm* — The Bilicki Law Firm, P.C.; Carl A. Hjort, III

(57) **CLAIM**

The ornamental design for an LED headlamp, as shown and described.

**DESCRIPTION**

FIG. 1 is a front perspective view of an LED headlamp;  
 FIG. 2 is a perspective view of a top surface of a heat sink structure included in the LED headlamp;  
 FIG. 3 is a perspective view of a bottom surface of the heat sink structure;  
 FIG. 4 is a front perspective view of an upper reflector included in the LED headlamp;  
 FIG. 5 is a front perspective view of a lower reflector included in the LED headlamp;  
 FIG. 6 is a front perspective view of the assembly of the heat sink structure with the upper and lower reflectors that are included in the LED headlamp;  
 FIG. 7 is a rear perspective view of the assembly of the heat sink structure with the upper and lower reflectors that are included in the LED headlamp;  
 FIG. 8 is an exploded view of the of the assembly of the heat sink structure with the upper and lower reflectors and the housing of the LED headlamp; and,  
 FIG. 9 is a rear perspective view of the LED headlamp.

**Related U.S. Application Data**

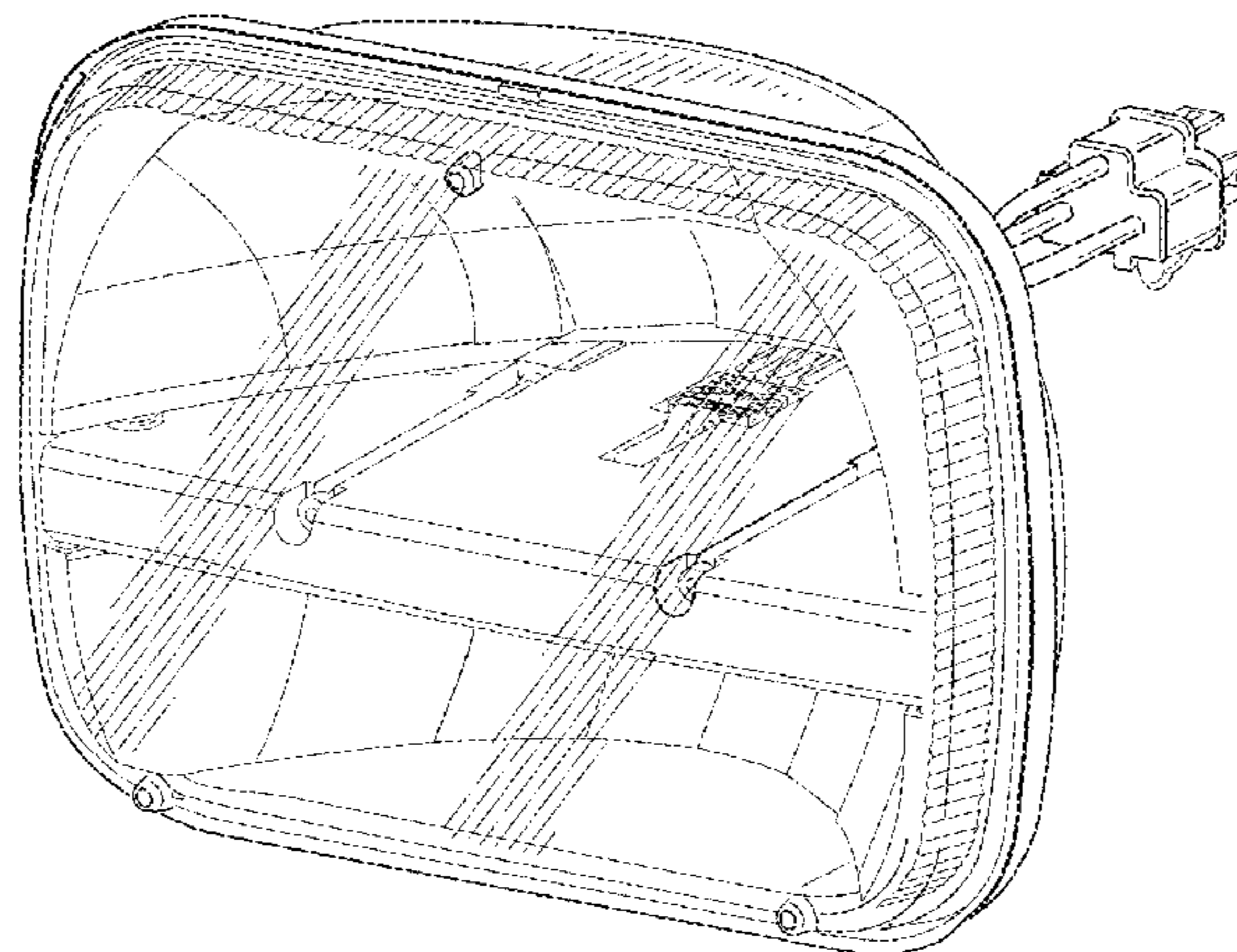
- (63) Continuation of application No. 13/024,320, filed on Feb. 9, 2011.
- (51) **LOC (10) Cl.** ..... **26-06**
- (52) **U.S. Cl.**  
USPC ..... **D26/28**
- (58) **Field of Classification Search**  
USPC ..... D26/28-36; 362/459-468, 475-478, 362/485-487  
See application file for complete search history.

**References Cited**

**U.S. PATENT DOCUMENTS**

- D244,714 S 6/1977 Ross
- D304,861 S 11/1989 Schmidt
- D343,916 S 2/1994 King
- D525,731 S 7/2006 Hovind
- D556,349 S \* 11/2007 Golden et al. .... D26/28
- D560,291 S \* 1/2008 Koyama ..... D26/28
- D560,832 S \* 1/2008 Hsu ..... D26/28

**1 Claim, 6 Drawing Sheets**



# US D709,226 S

Page 2

---

(56)

## References Cited

### U.S. PATENT DOCUMENTS

D602,619 S	*	10/2009	Krugger et al. ....	D26/28	
D603,073 S		10/2009	Muraille		* cited by examiner
D608,498 S		1/2010	Beigel		
D615,221 S		5/2010	Simons		
D695,433 S	*	12/2013	Mascadri et al. ....	D26/28	

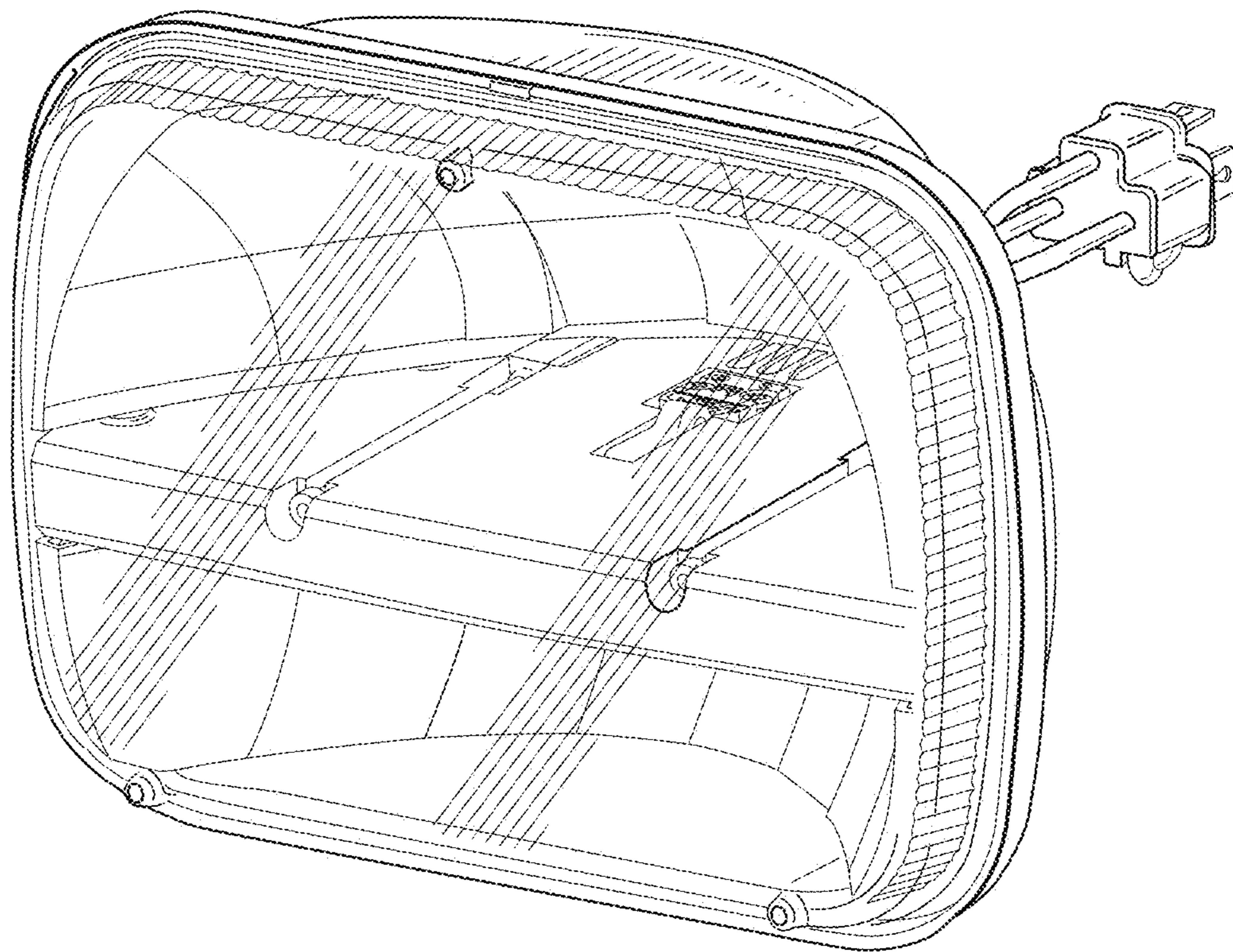


FIG. 1

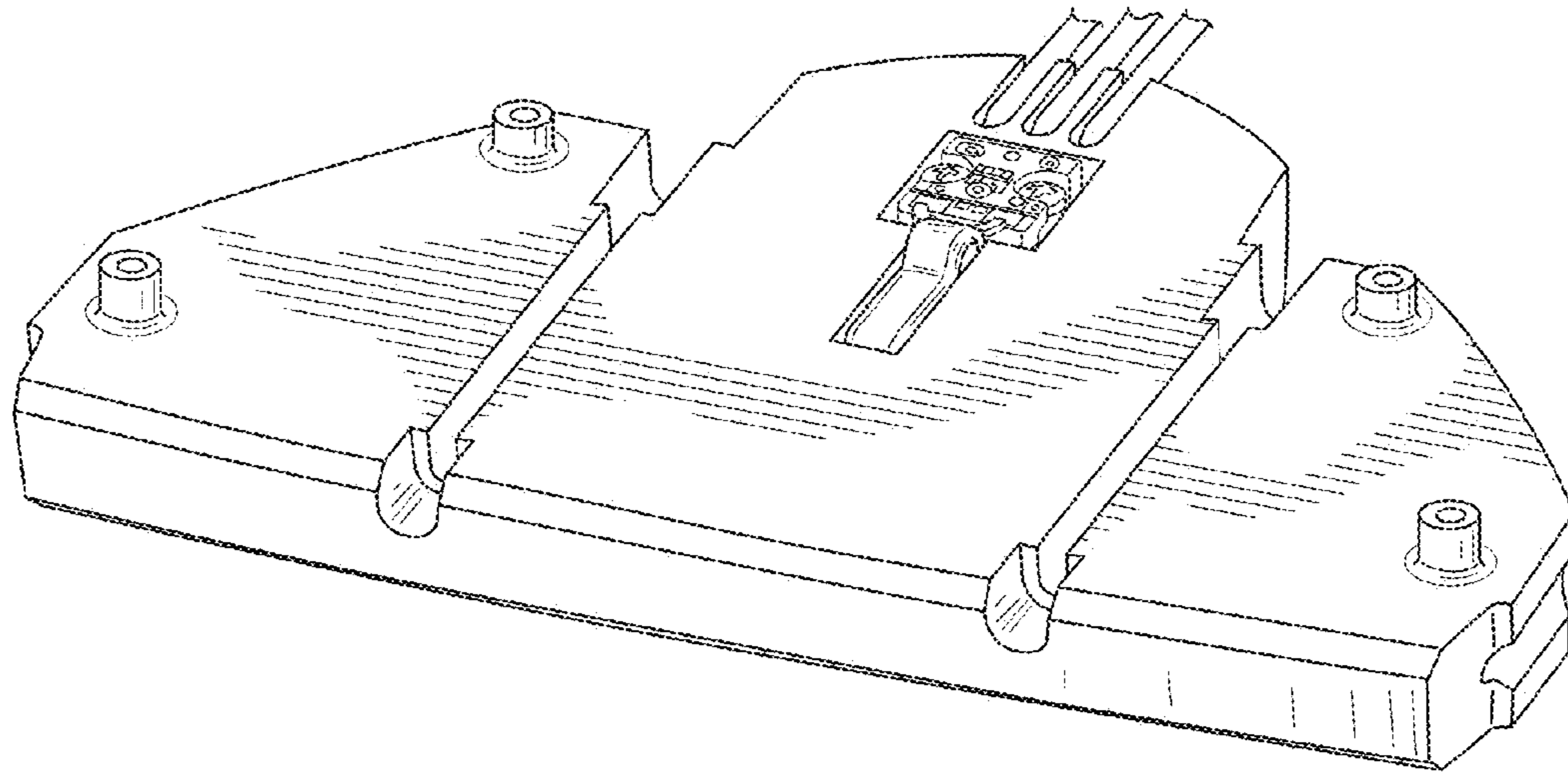


FIG. 2

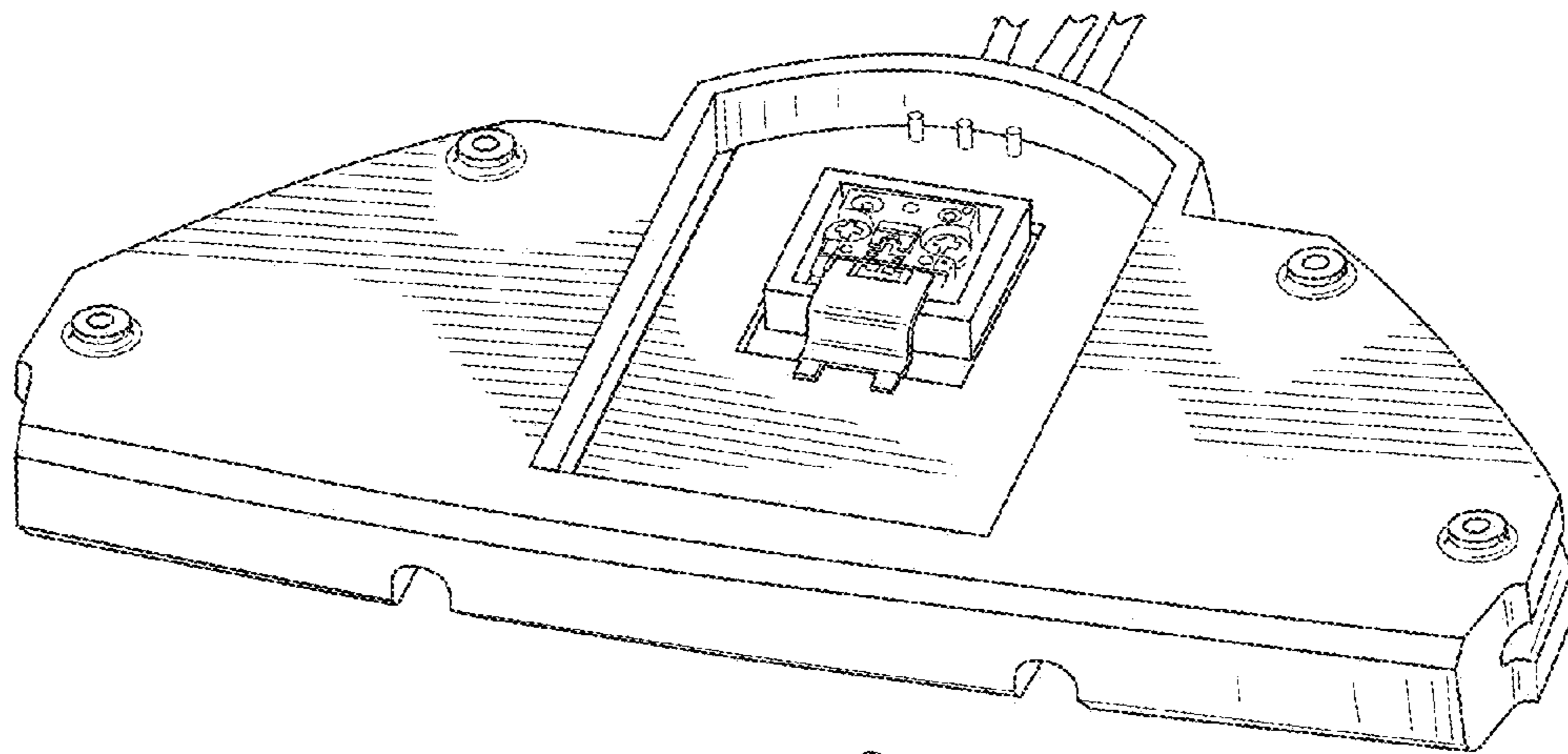


FIG. 3

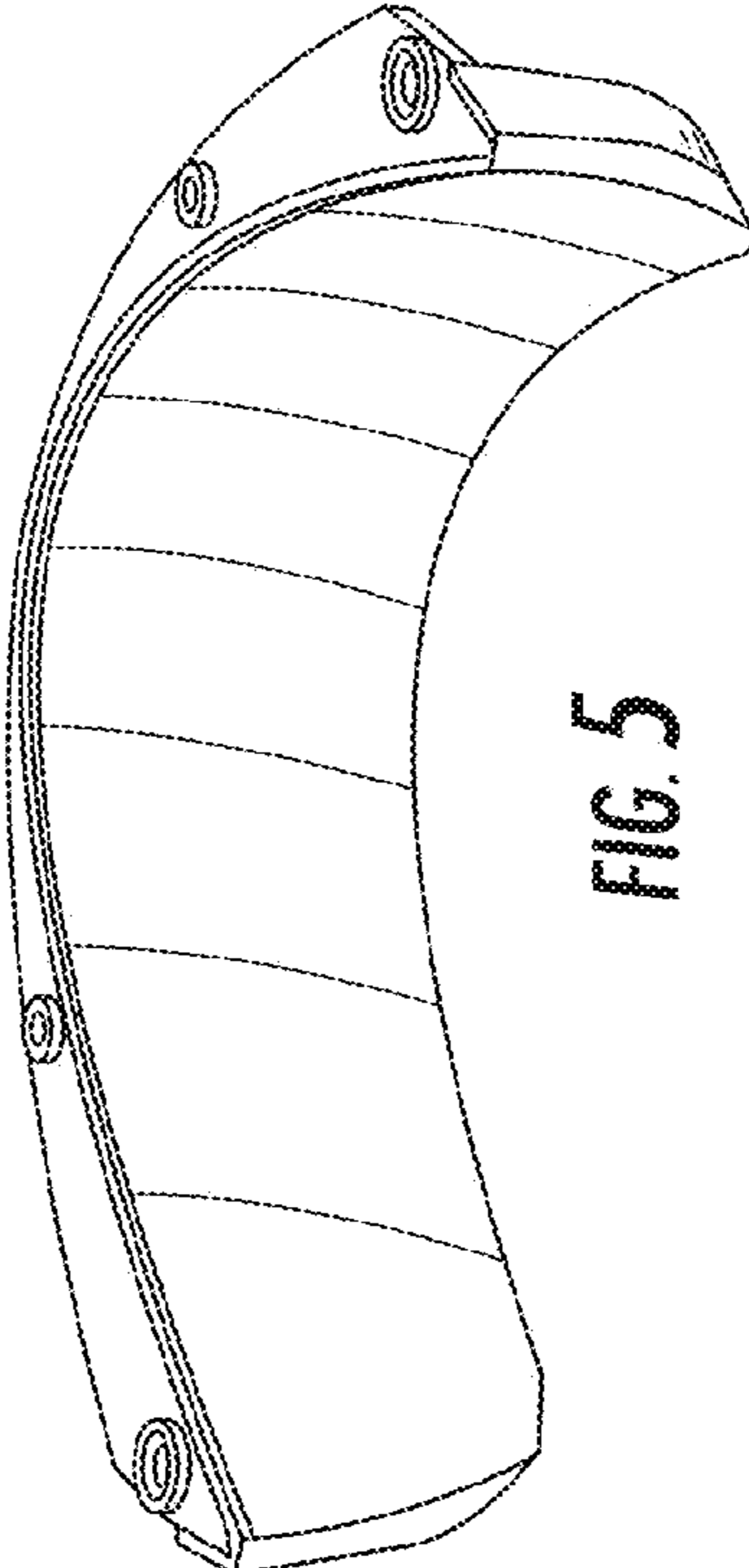


FIG. 5

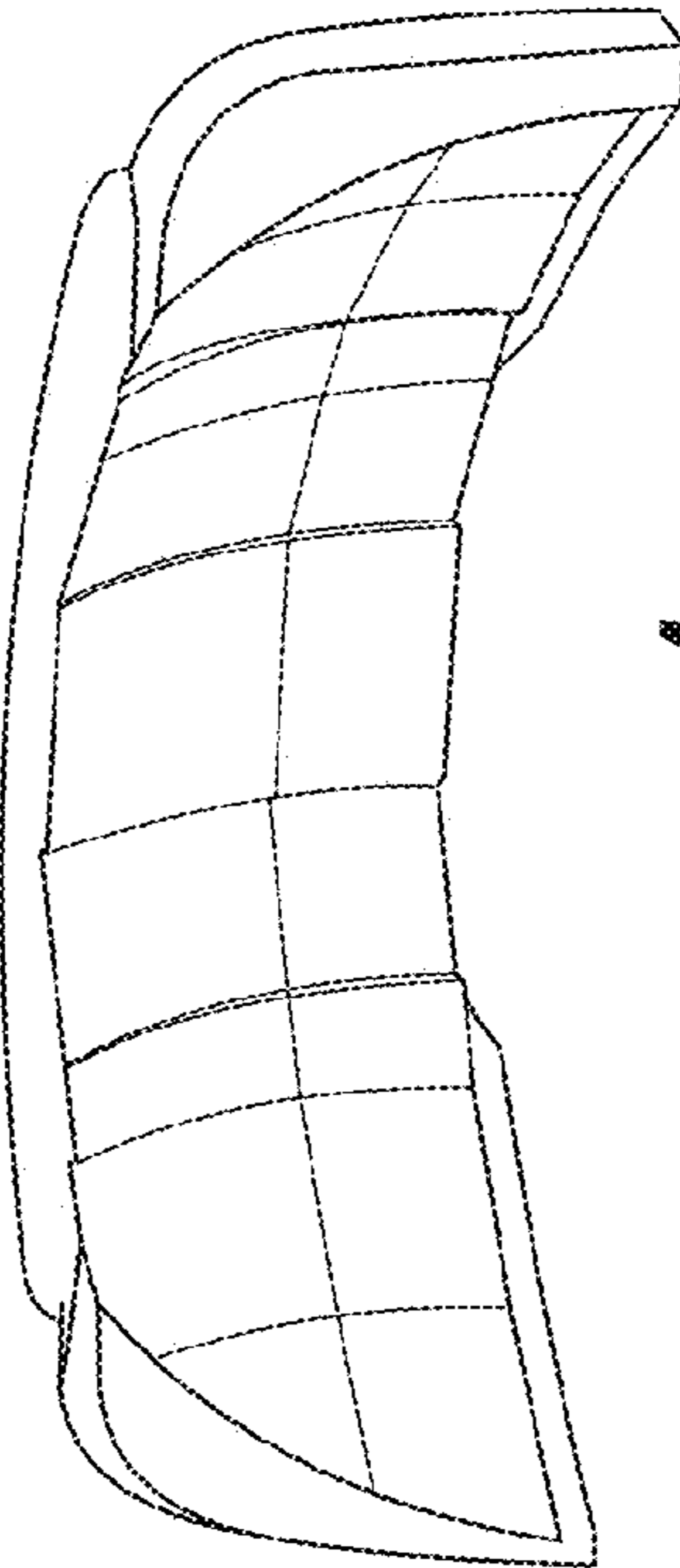


FIG. 4

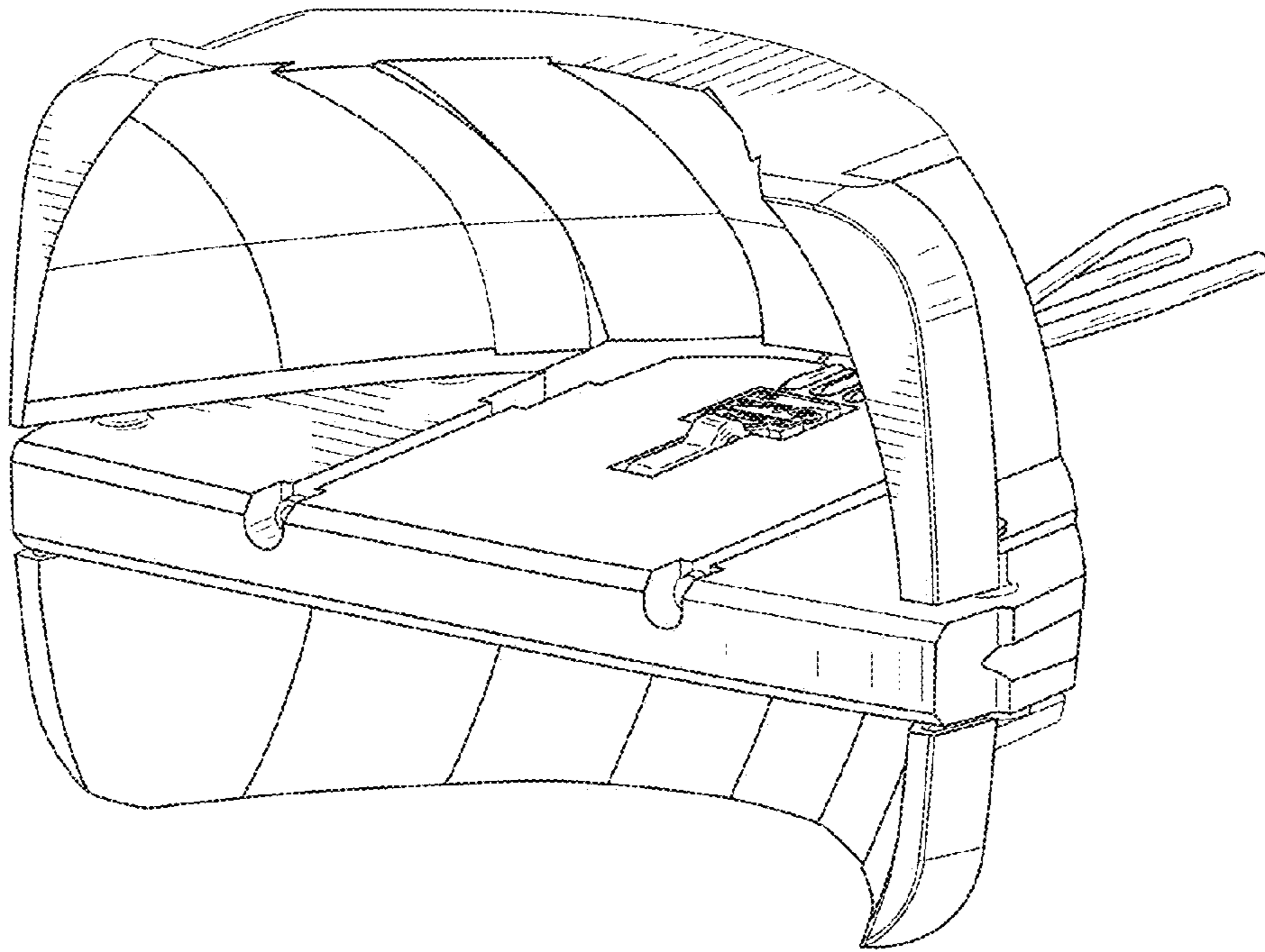


FIG. 6

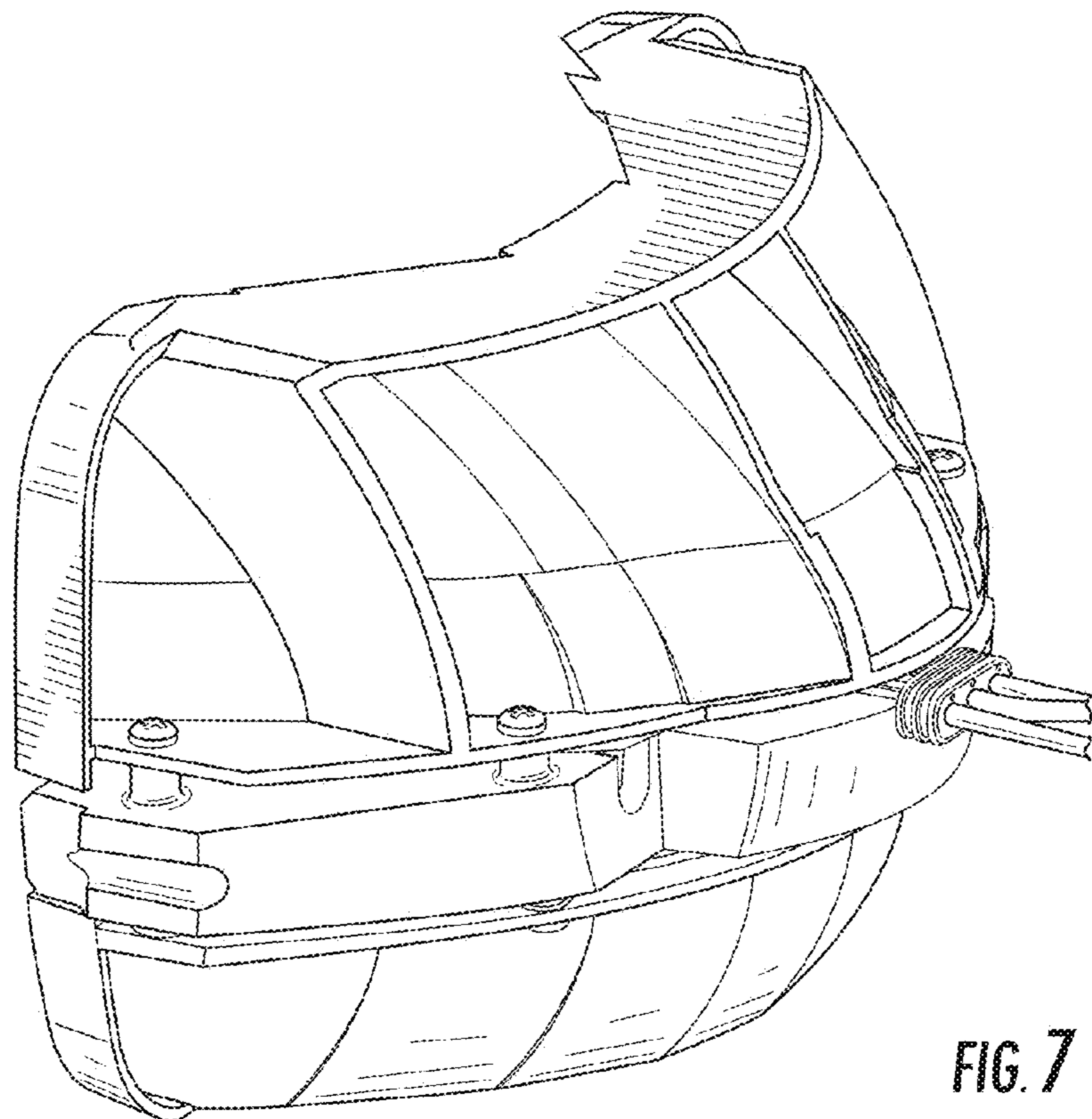


FIG. 7

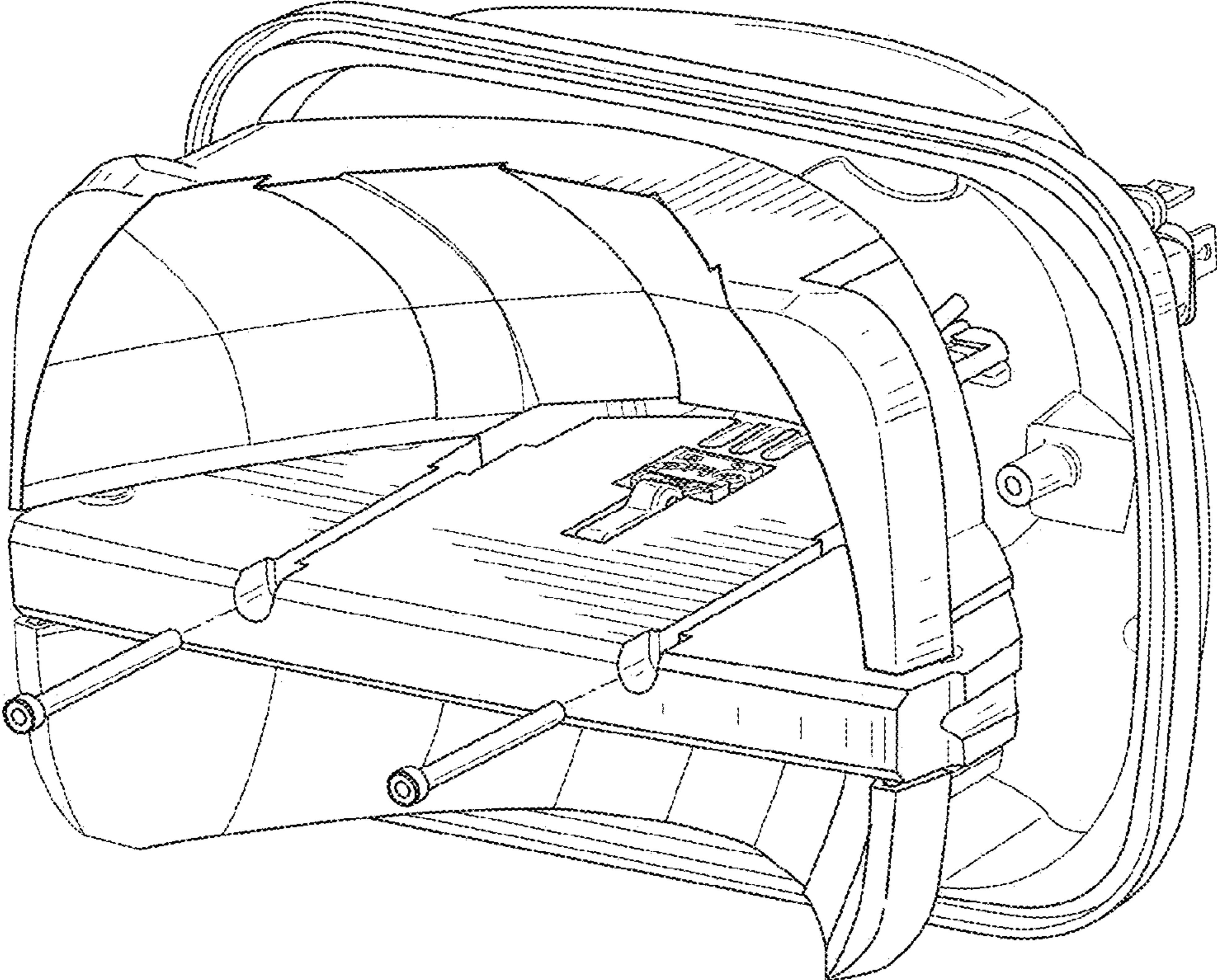


FIG. 8

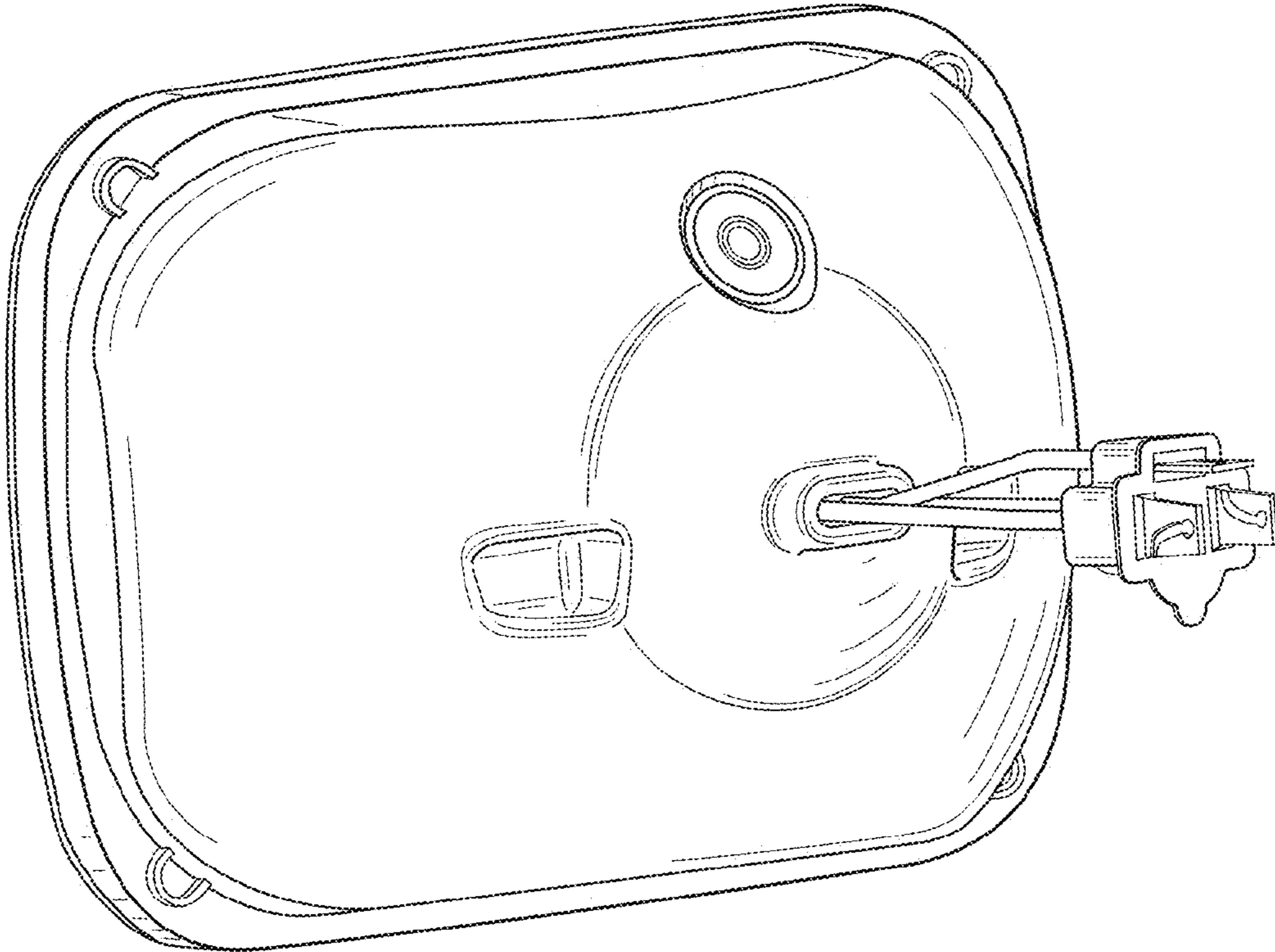


FIG. 9