



US00D709225S

(12) **United States Design Patent**
Ueda et al.

(10) **Patent No.:** **US D709,225 S**
(45) **Date of Patent:** **** Jul. 15, 2014**

(54) **HEADLAMP FOR A BICYCLE**
(71) Applicant: **Cateye Co., Ltd.**, Osaka (JP)
(72) Inventors: **Takashi Ueda**, Osaka (JP); **Toshiyuki Nagano**, Osaka (JP); **Yoji Okuda**, Osaka (JP)

D560,833 S * 1/2008 Ueda et al. D26/28
D560,834 S * 1/2008 Nagano D26/28
D601,733 S * 10/2009 Nagano D26/37
D605,790 S * 12/2009 Hsing-Tsun D26/28
D629,538 S * 12/2010 Nagano D26/28
D670,838 S * 11/2012 Ueda et al. D26/28

(73) Assignee: **Cateye Co., Ltd.**, Osaka (JP)

FOREIGN PATENT DOCUMENTS
JP 1196867 2/2004
JP 1197521 2/2004
JP 1294290 2/2007
TW D104641 5/2005
TW D127085 1/2009

(**) Term: **14 Years**

* cited by examiner

(21) Appl. No.: **29/439,173**

(22) Filed: **Dec. 7, 2012**

Primary Examiner — Marcus Jackson

(30) **Foreign Application Priority Data**

(74) *Attorney, Agent, or Firm* — Olson & Cepuritis, Ltd.

Jun. 12, 2012 (JP) 2012-013867

(51) **LOC (10) Cl.** **26-06**

(57) **CLAIM**

The ornamental design for a headlamp for a bicycle, as shown.

(52) **U.S. Cl.**
USPC **D26/28**

DESCRIPTION

(58) **Field of Classification Search**
USPC D26/28-36; 362/459-468, 475-478,
362/485-487

See application file for complete search history.

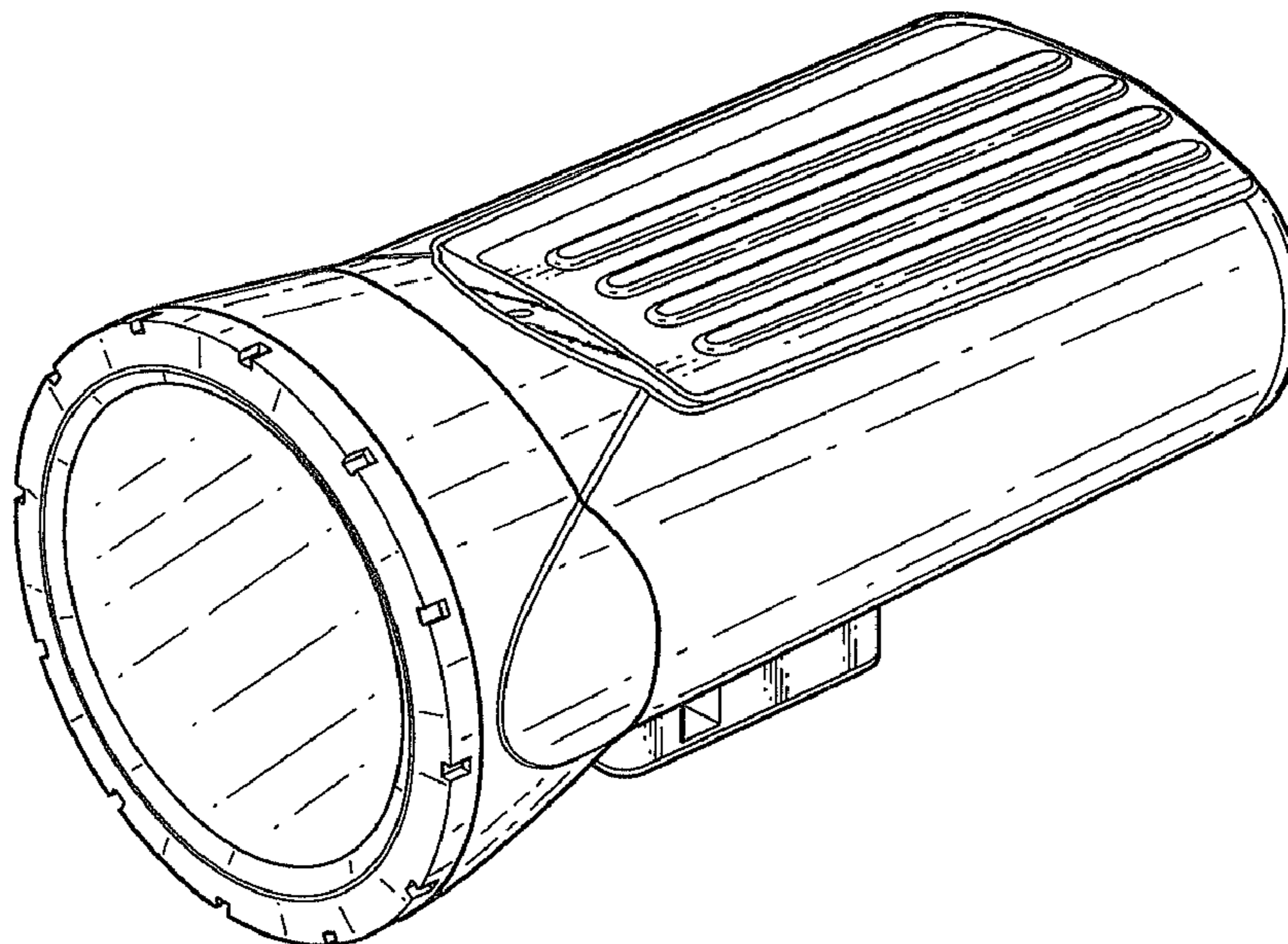
FIG. 1 is a perspective view of a headlamp for a bicycle showing our new design;
FIG. 2 is a front view thereof;
FIG. 3 is a rear view thereof;
FIG. 4 is a top plan view thereof;
FIG. 5 is a bottom plan view thereof;
FIG. 6 is a right side view thereof; and,
FIG. 7 is a left side view thereof.

(56) **References Cited**

U.S. PATENT DOCUMENTS

D540,966 S * 4/2007 Ueda et al. D26/28
D541,447 S * 4/2007 Ueda et al. D26/28

1 Claim, 5 Drawing Sheets



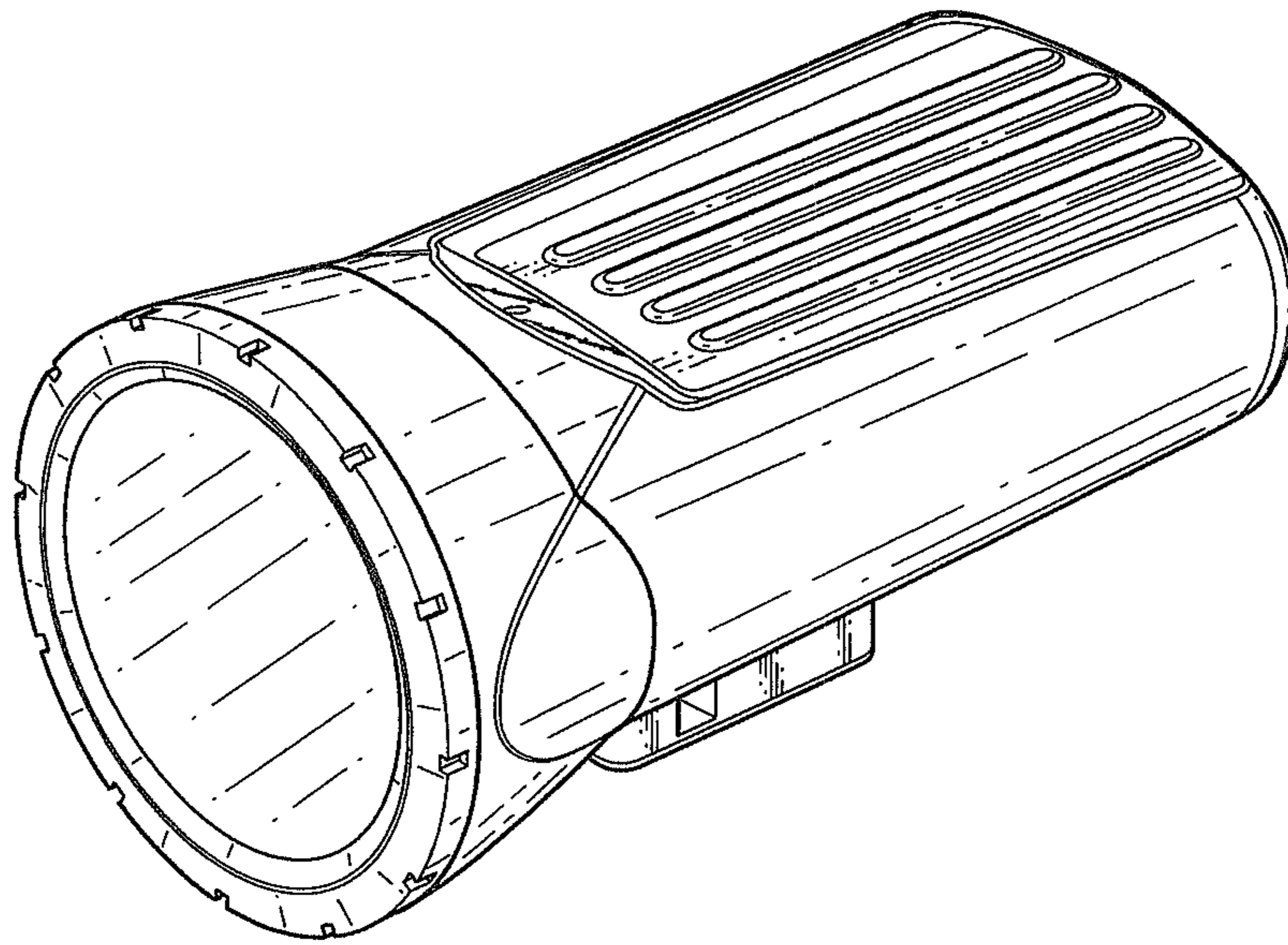


Fig. 1

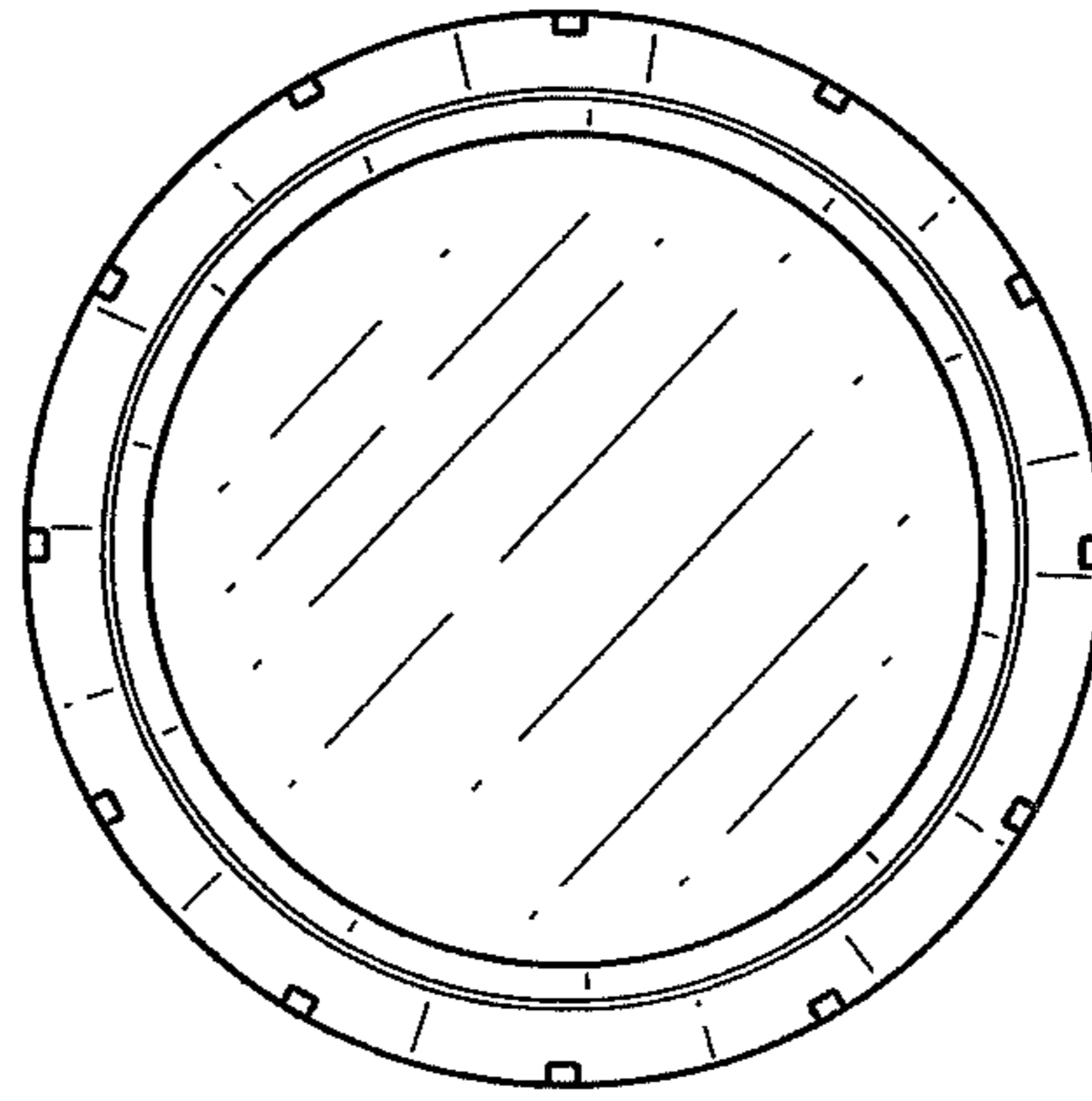


Fig. 2

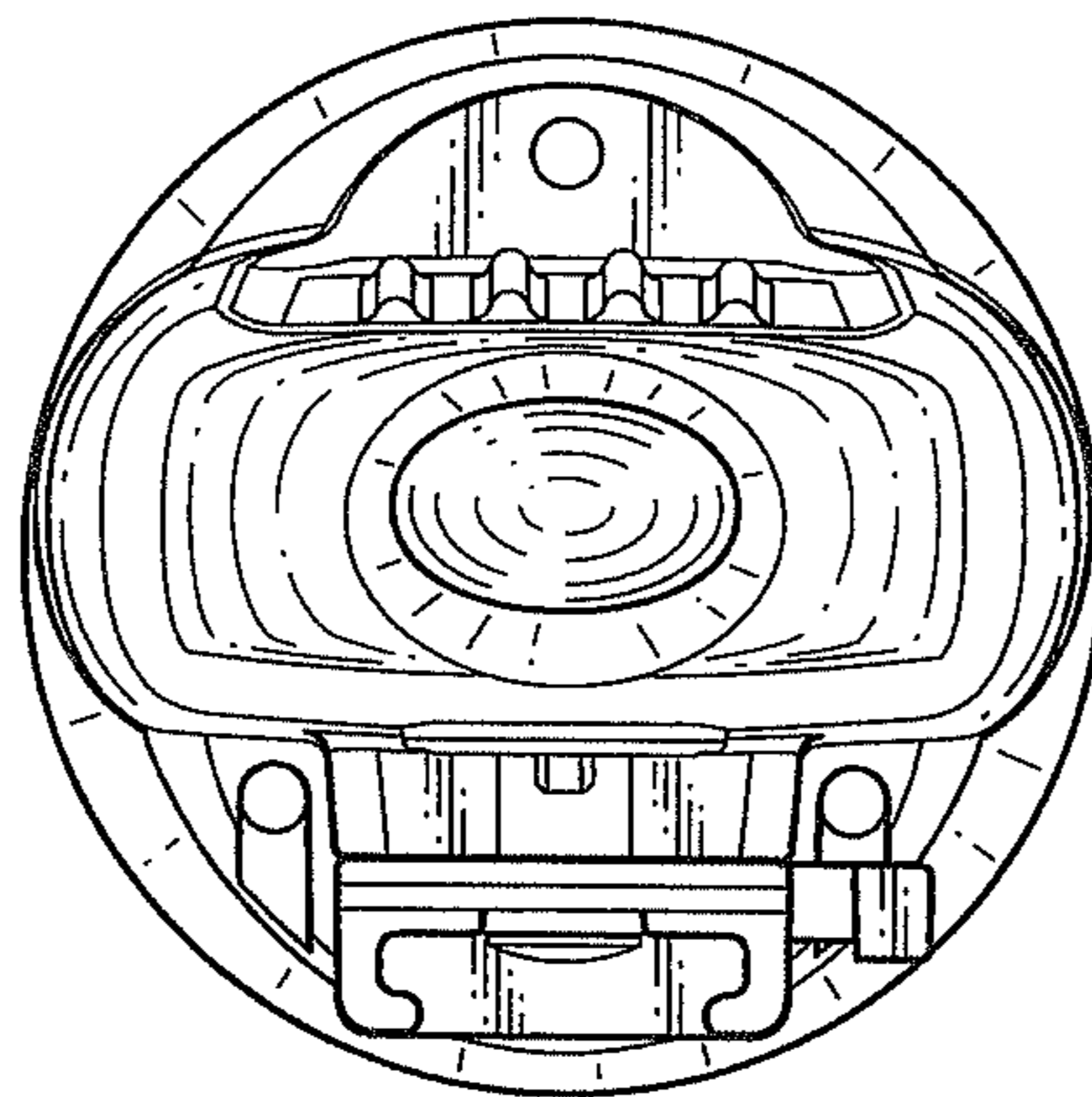


Fig. 3

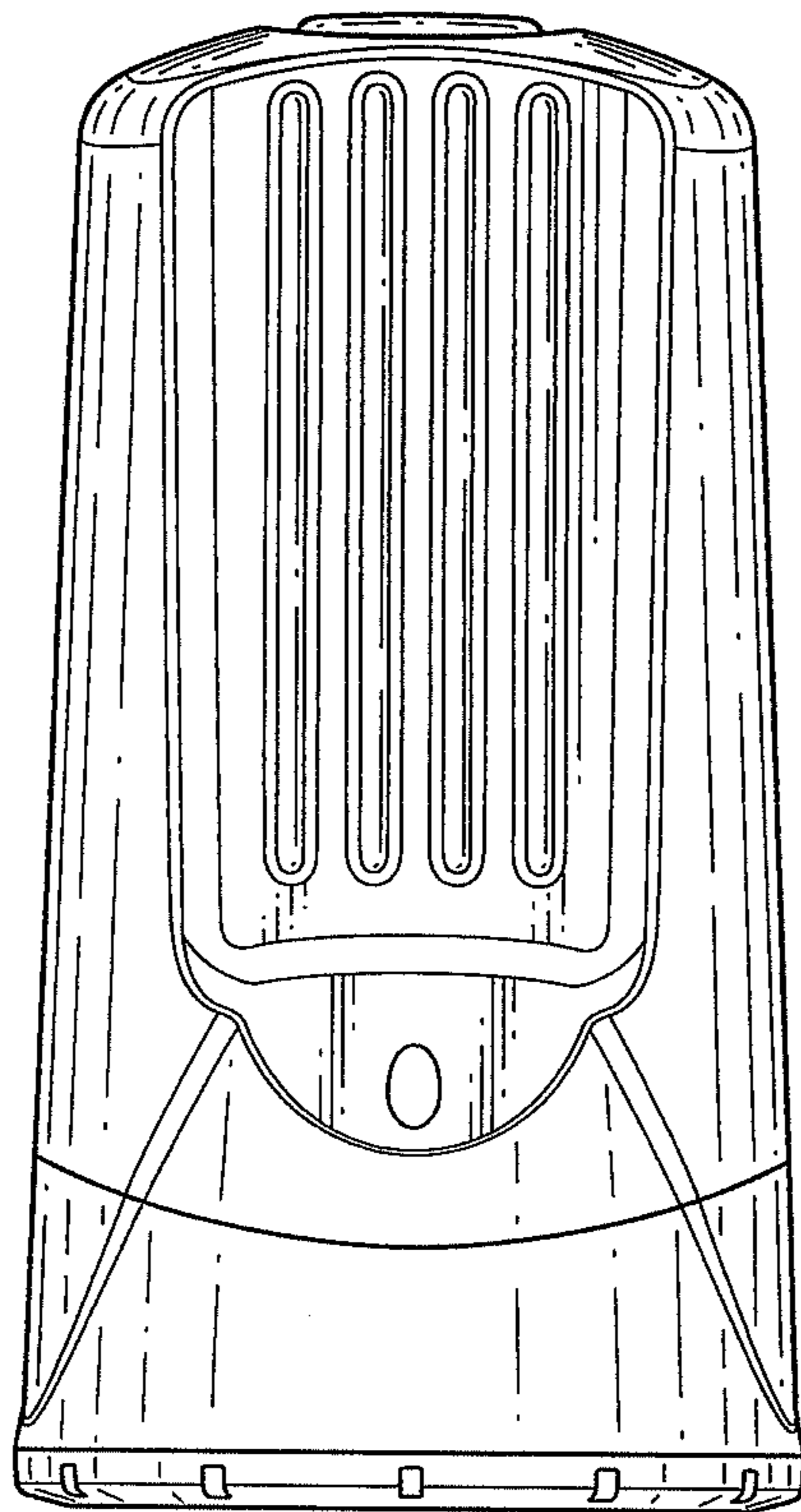


Fig. 4

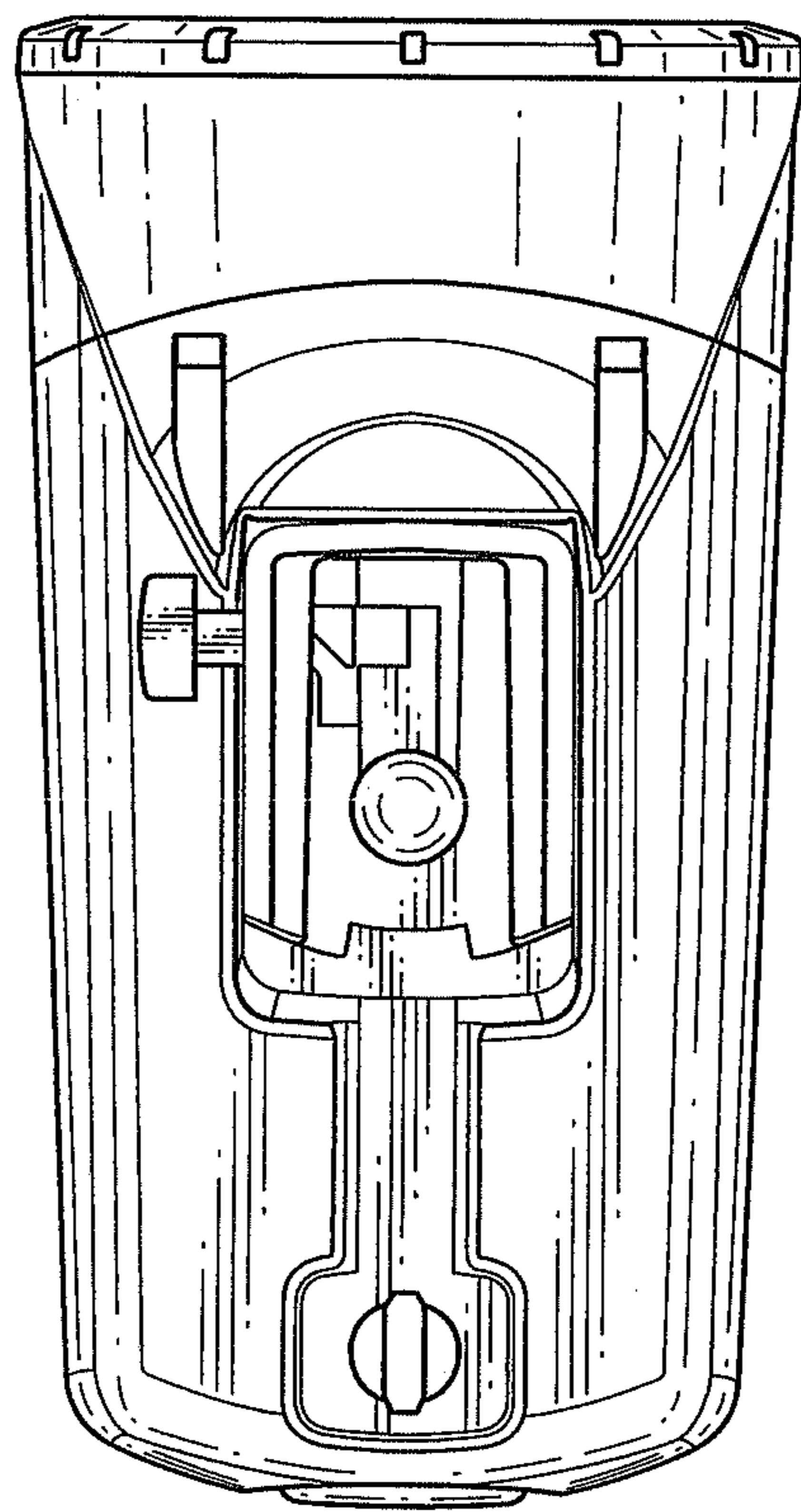


Fig. 5

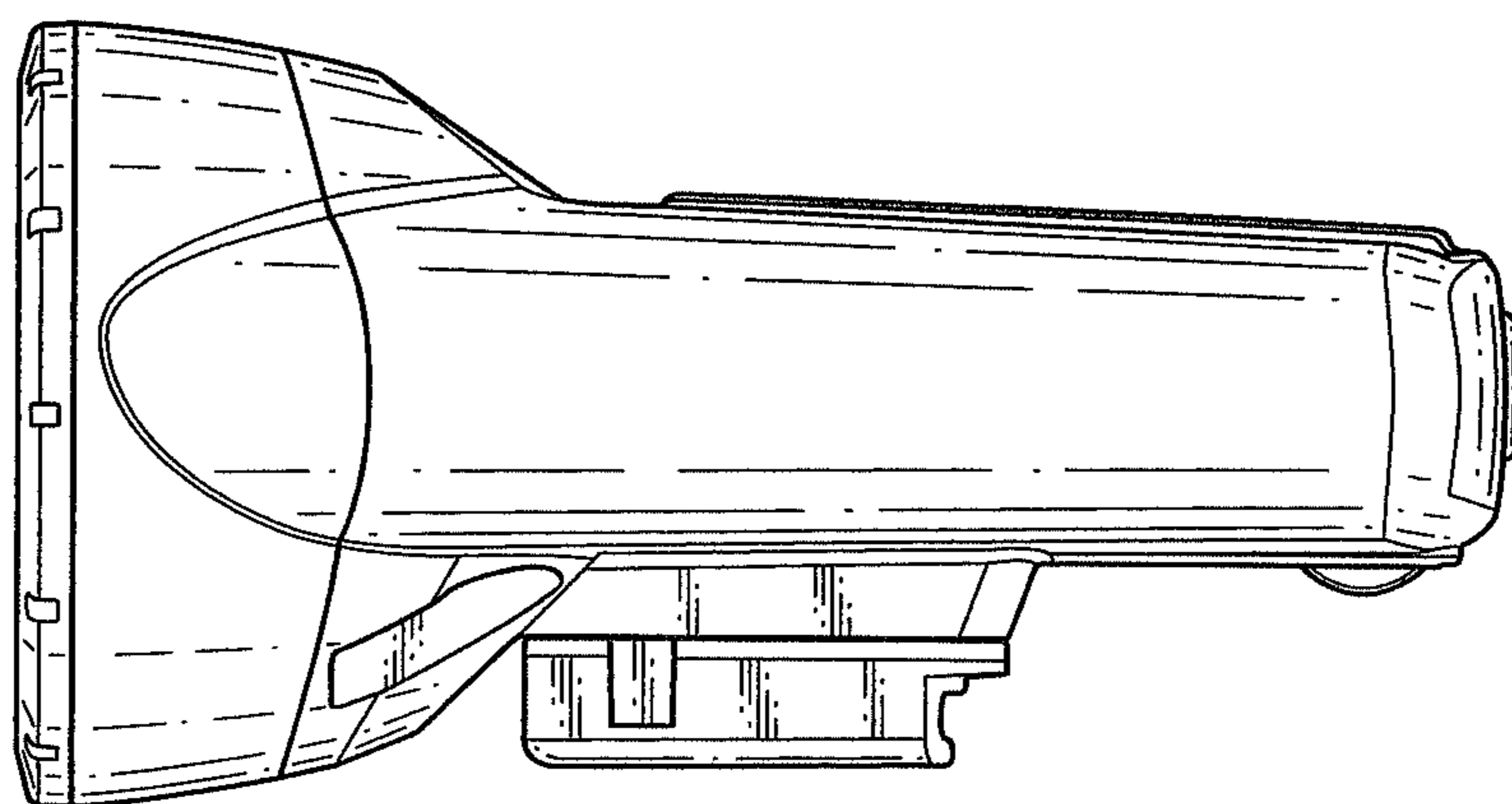


Fig. 6

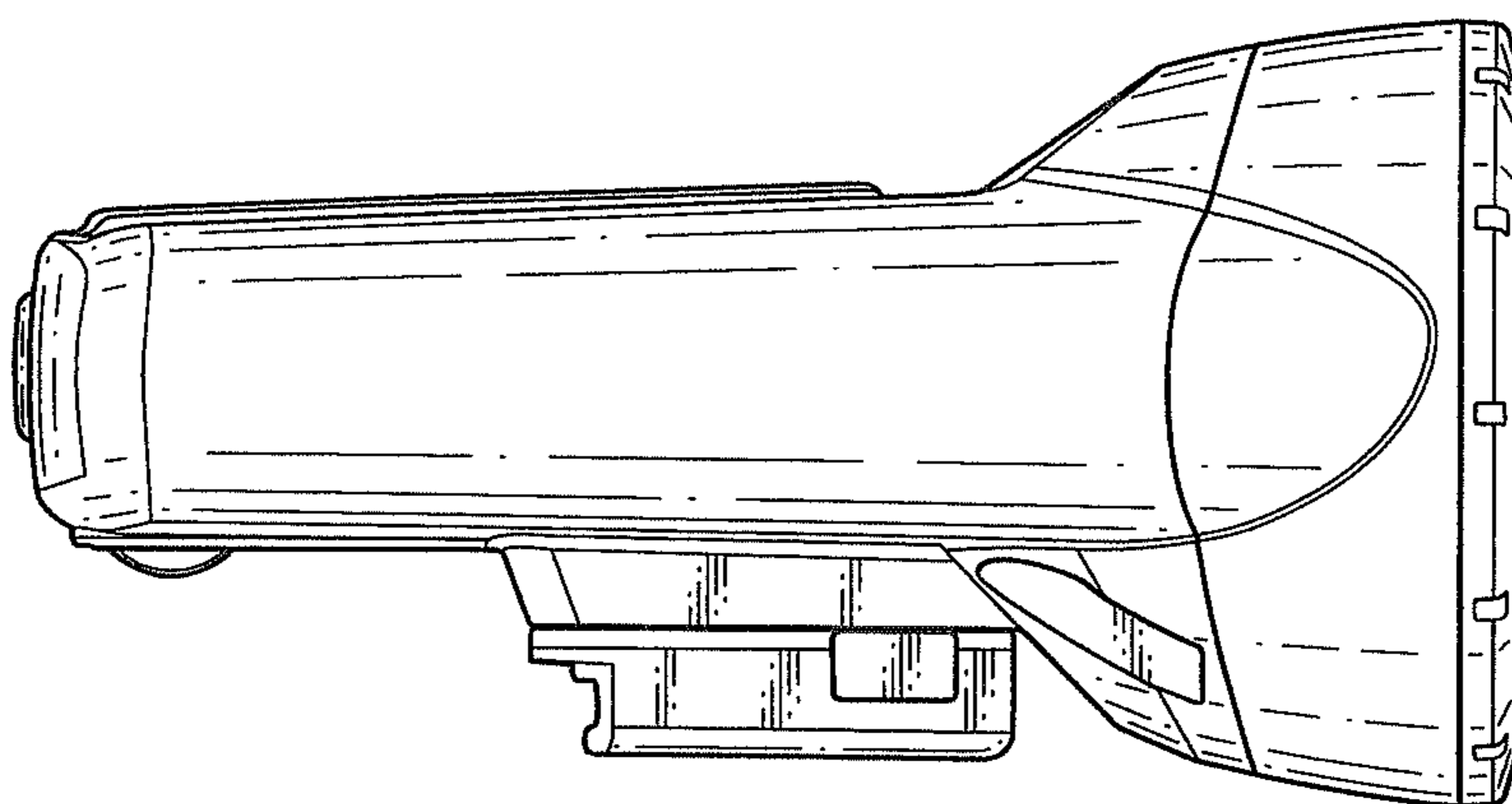


Fig. 7