



US00D709222S

(12) **United States Design Patent**
Poon

(10) **Patent No.:** **US D709,222 S**
(45) **Date of Patent:** **** Jul. 15, 2014**

(54) **BIKE LIGHT**

D629,538 S * 12/2010 Nagano D26/28
D629,539 S * 12/2010 Rettenbacher et al. D26/28
D679,040 S * 3/2013 Cen et al. D26/28

(75) Inventor: **Tit Wing Poon**, New Territories (CN)

* cited by examiner

(73) Assignee: **Flying Dragon Development Limited**,
New Territories (HK)

Primary Examiner — Marcus Jackson

(**) Term: **14 Years**

(74) *Attorney, Agent, or Firm* — Rabin & Berdo, P.C.

(21) Appl. No.: **29/430,878**

(57) **CLAIM**

The ornamental design for bike light, as shown and described.

(22) Filed: **Aug. 30, 2012**

DESCRIPTION

(51) **LOC (10) Cl.** **26-06**

(52) **U.S. Cl.**
USPC **D26/28**

(58) **Field of Classification Search**
USPC D26/28-36; 362/459-468, 475-478,
362/485-487
See application file for complete search history.

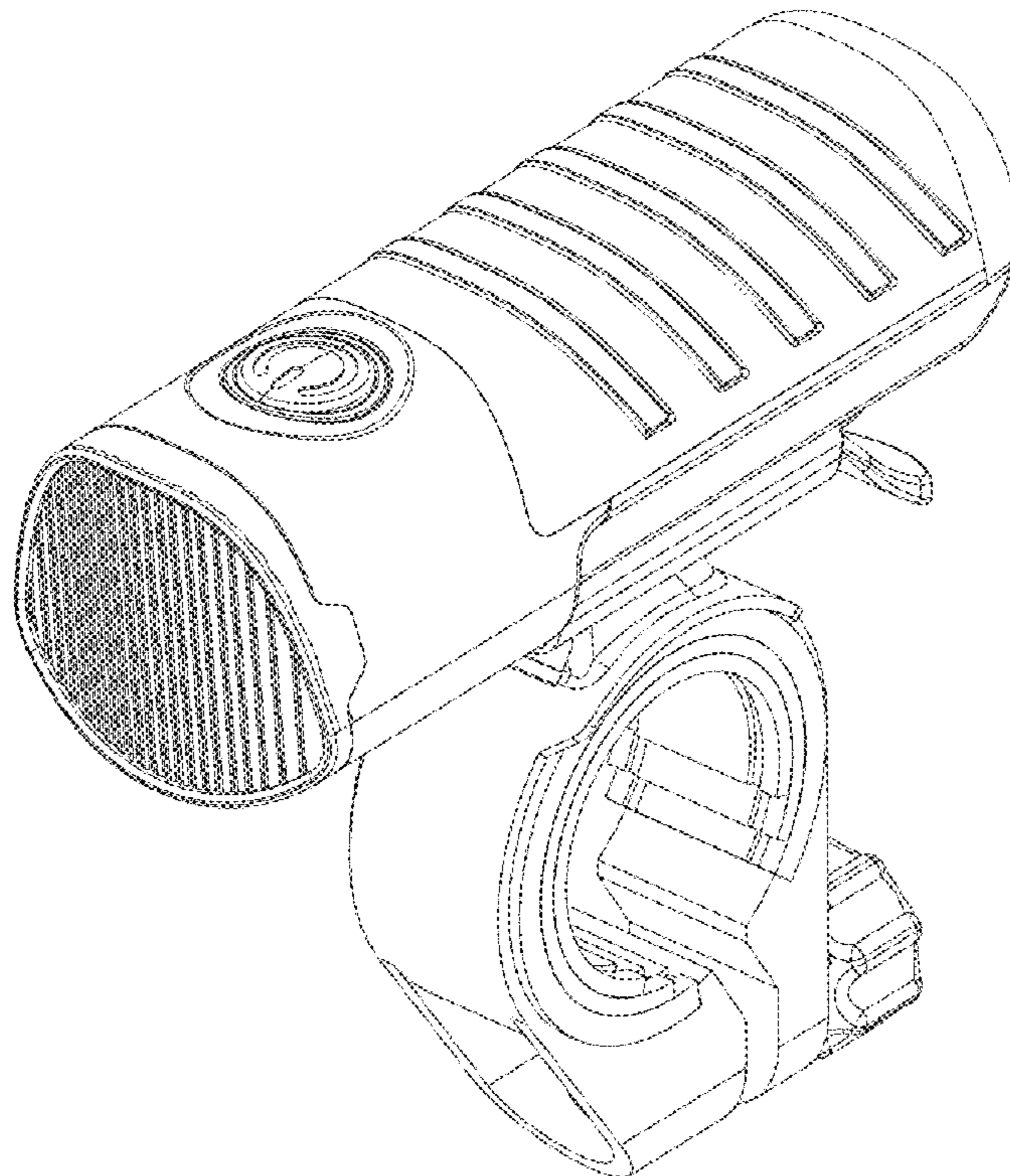
FIG. 1 is a front view of a bike light showing my new design;
FIG. 2 is a rear view thereof;
FIG. 3 is a right side view thereof
FIG. 4 is a left side view thereof
FIG. 5 is a top view thereof;
FIG. 6 is a bottom view thereof;
FIG. 7 is a top perspective view thereof;
FIG. 8 is a bottom front perspective view thereof,
FIG. 9 is a top rear perspective view with the body opened
thereof; and,
FIG. 10 is a bottom rear perspective view with the body
opened.

(56) **References Cited**

U.S. PATENT DOCUMENTS

D584,840 S * 1/2009 Okuda et al. D26/28
D588,722 S * 3/2009 Cheng D26/28
D605,790 S * 12/2009 Hsing-Tsun D26/28

1 Claim, 5 Drawing Sheets



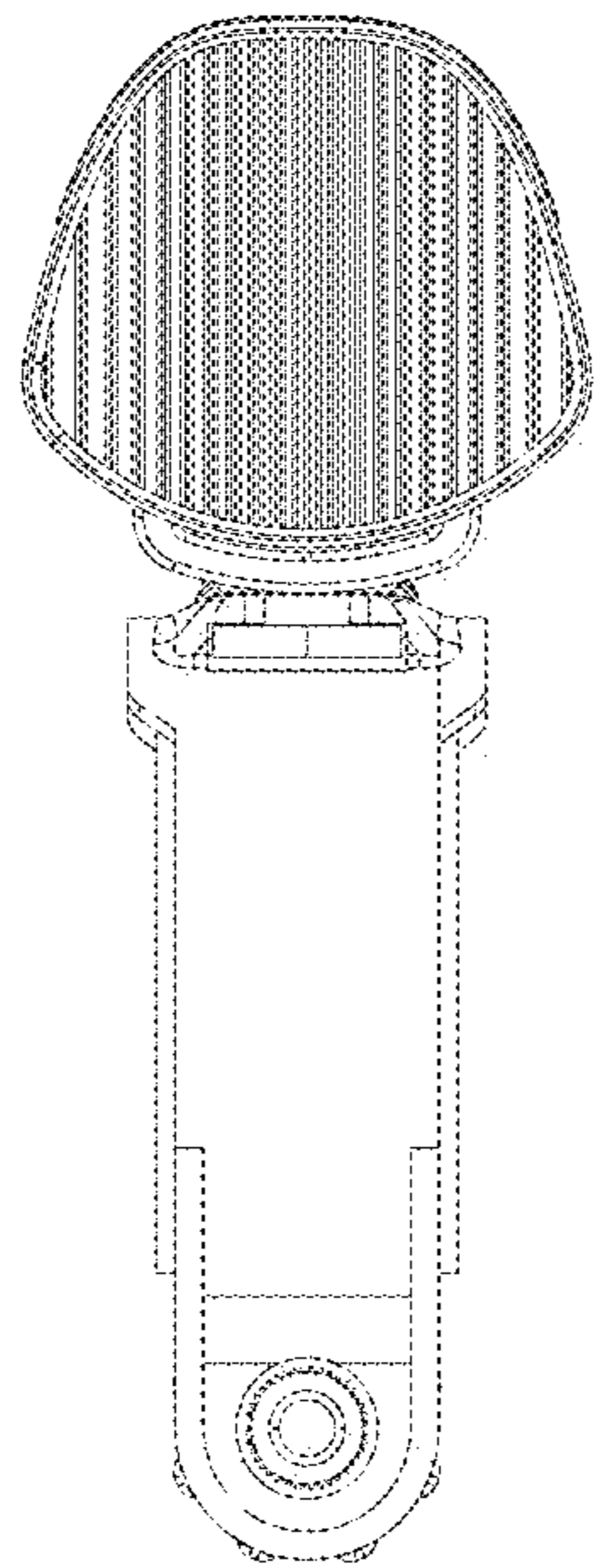


Fig. 1

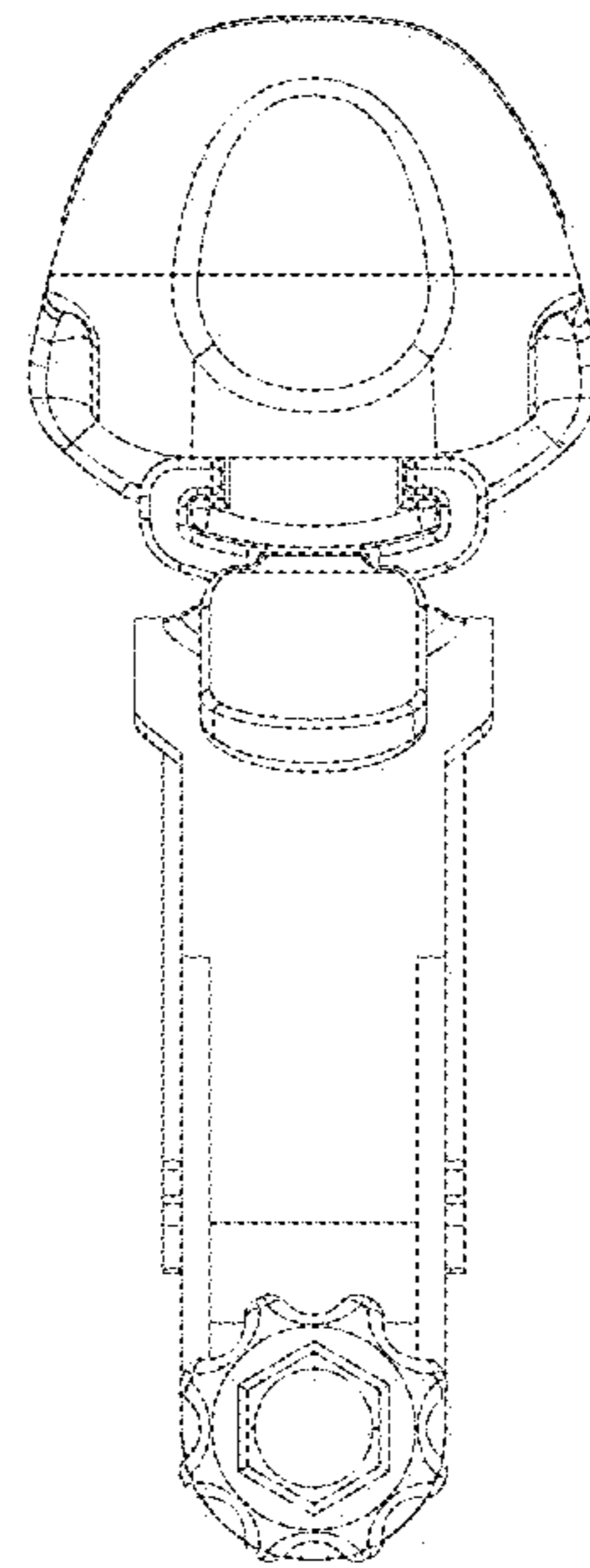


Fig. 2

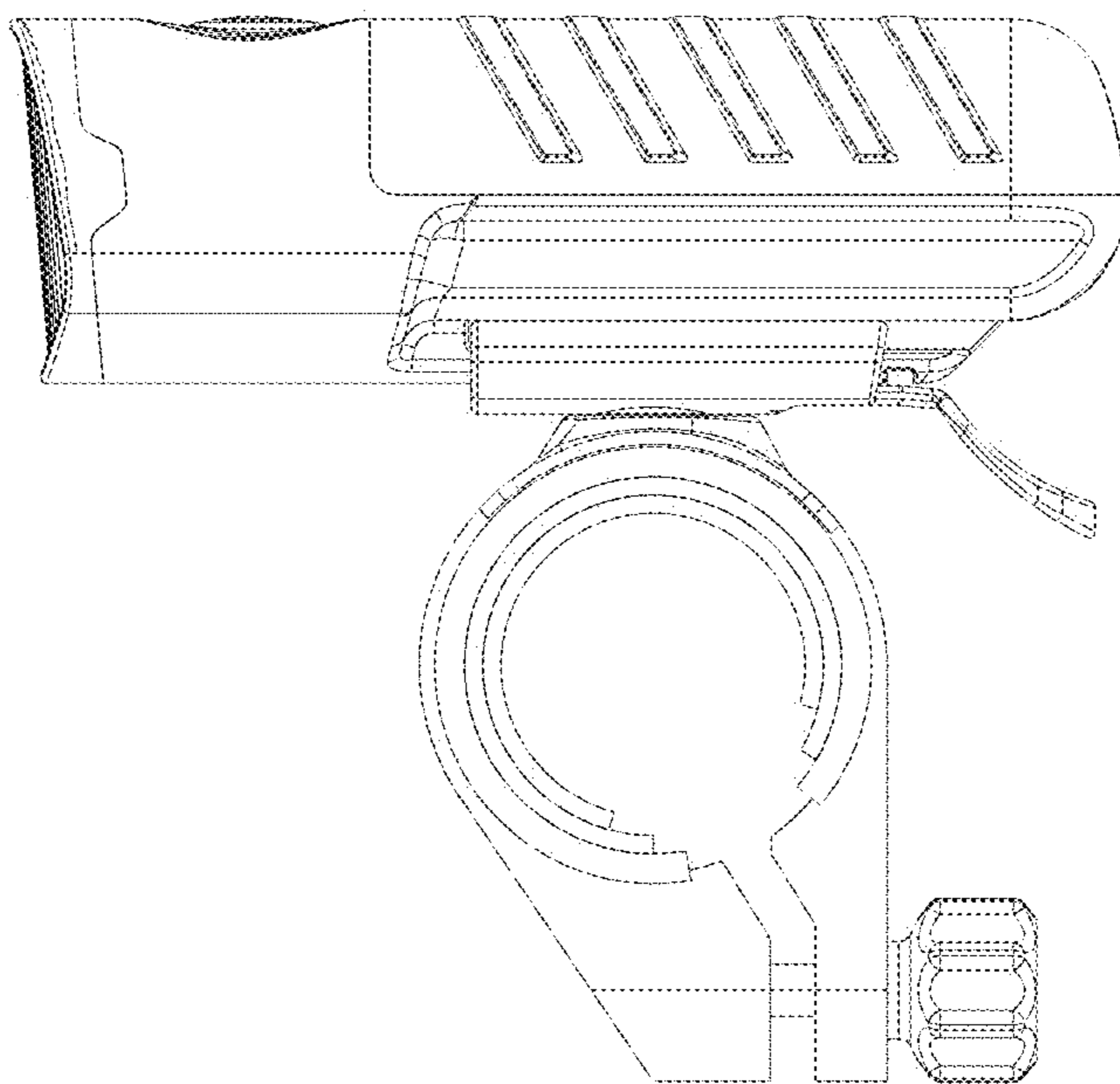


Fig. 3

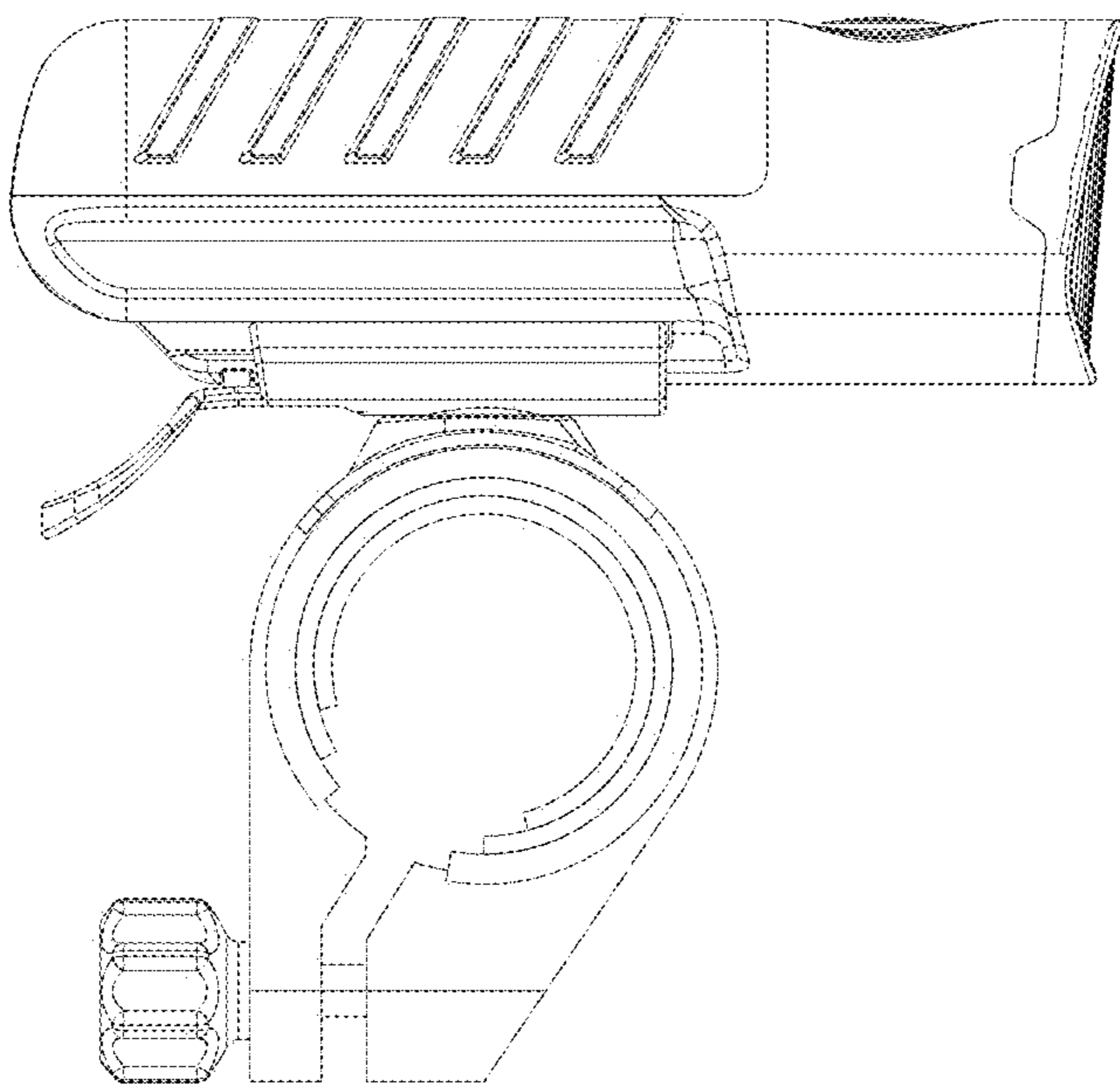


Fig. 4

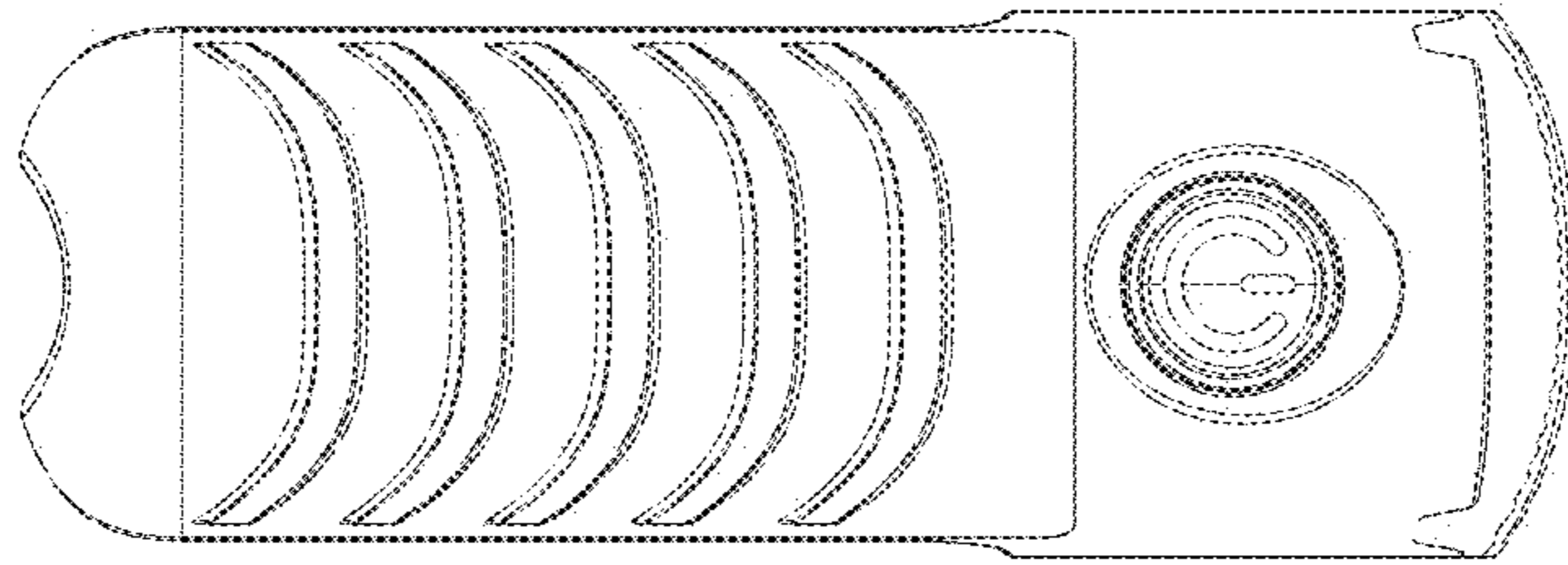


Fig. 5

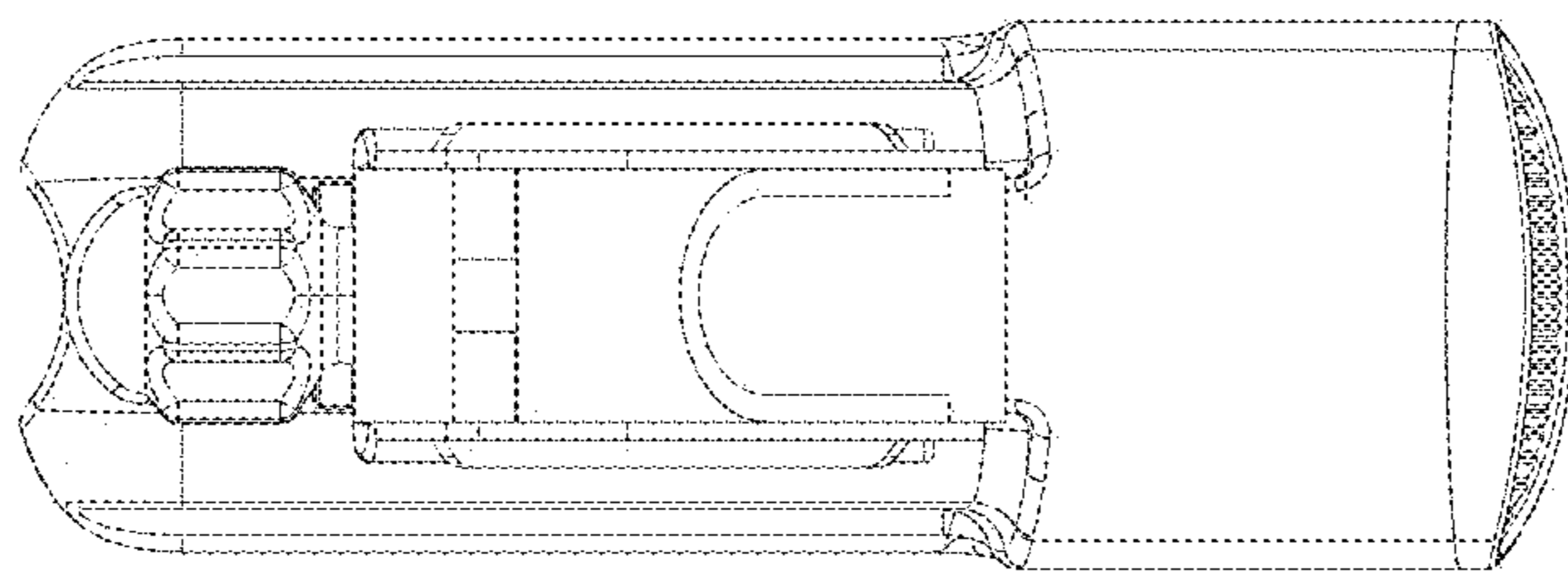


Fig. 6

Fig. 7

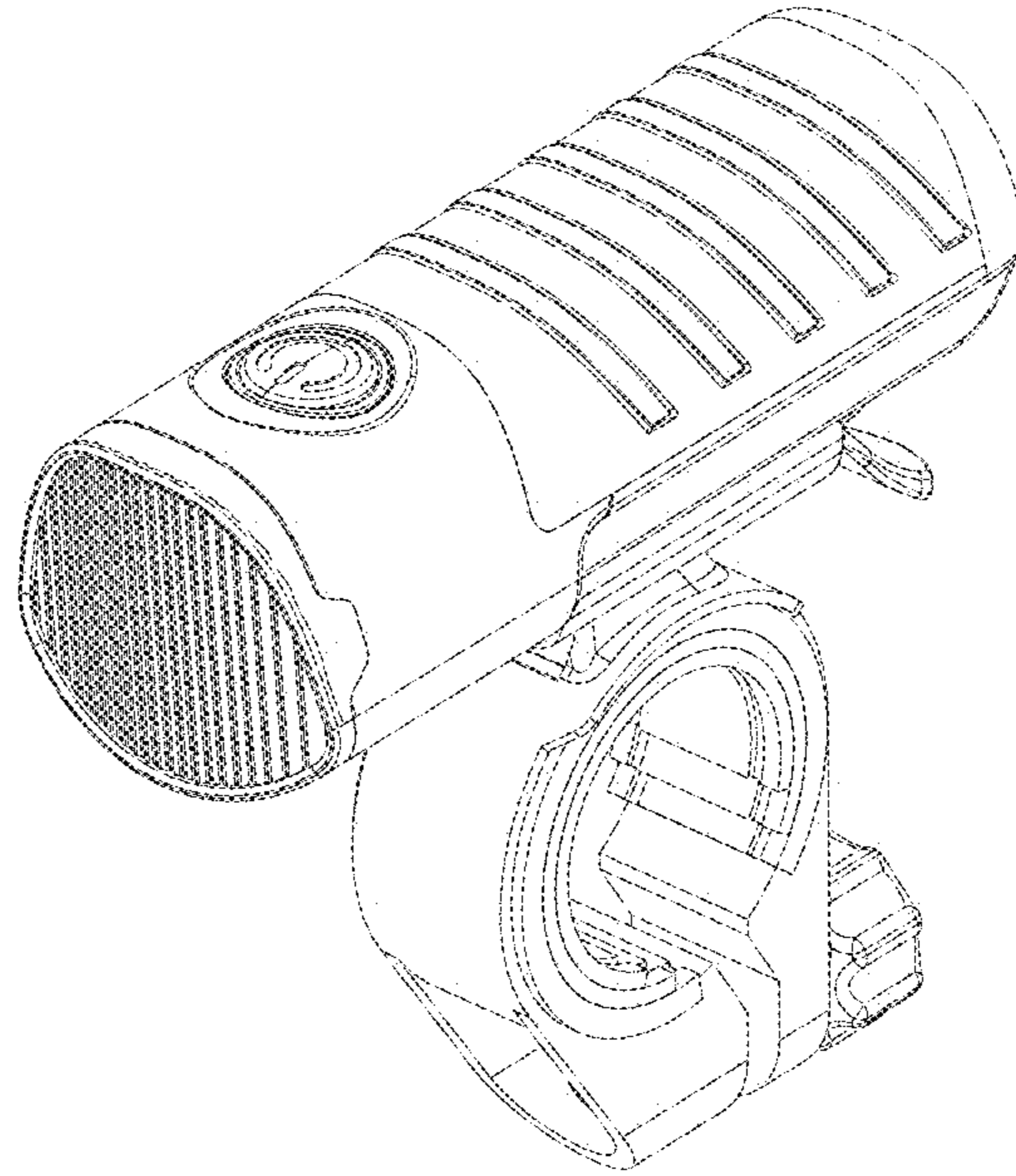


Fig. 8

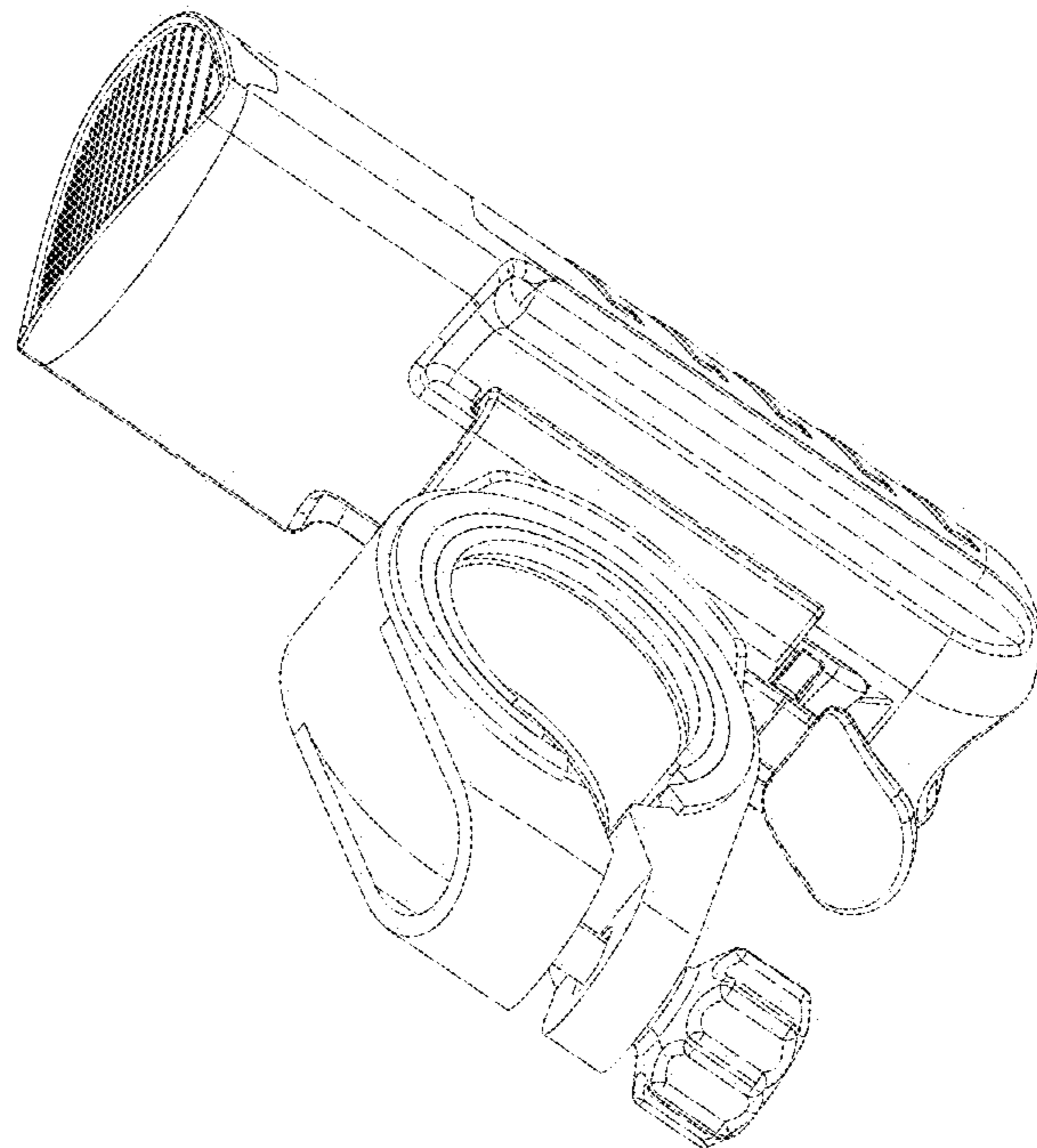


Fig. 9

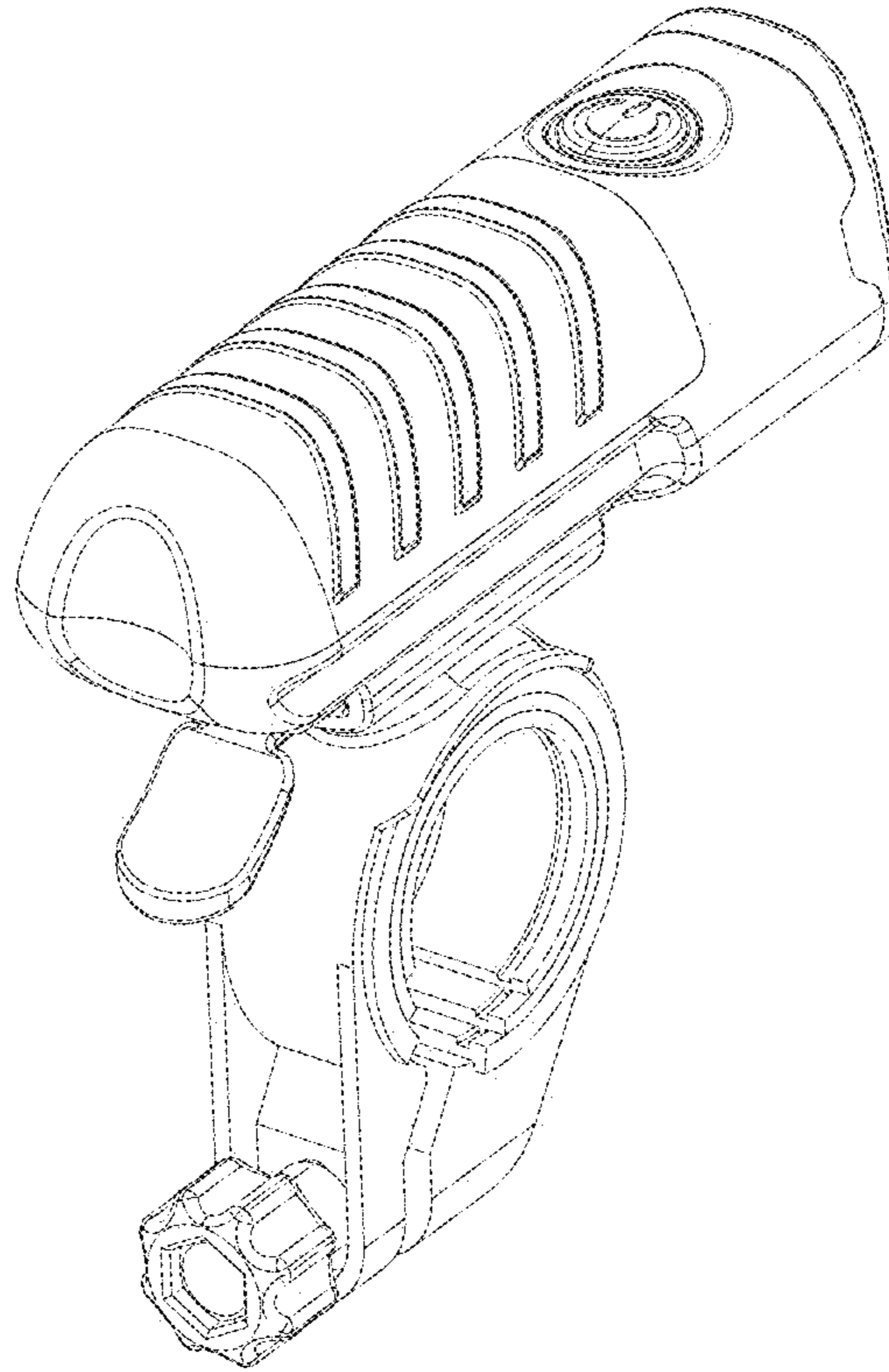


Fig. 10

