

US00D709217S

(12) **United States Design Patent**
Kim et al.

(10) **Patent No.:** **US D709,217 S**
(45) **Date of Patent:** **** Jul. 15, 2014**

(54) **HEAD LAMP FOR AUTOMOBILES**

(75) Inventors: **Sung No Kim**, Hwaseong-Si (KR); **Ju Whan Moon**, Hwaseong-Si (KR)

(73) Assignee: **Hyundai Motor Company**, Seoul (KR)

(**) Term: **14 Years**

(21) Appl. No.: **29/421,055**

(22) Filed: **May 10, 2012**

(30) **Foreign Application Priority Data**

Mar. 14, 2012 (KR) 30-2012-0012021

(51) **LOC (10) Cl.** **26-06**

(52) **U.S. Cl.**
USPC **D26/28**

(58) **Field of Classification Search**
USPC D26/28-36; 362/459-468, 475-478,
362/485-487

See application file for complete search history.

(56) **References Cited**

U.S. PATENT DOCUMENTS

D538,956 S *	3/2007	Ishii	D26/28
D542,442 S *	5/2007	Matsunami	D26/28
D544,614 S *	6/2007	Markefka	D26/28
D549,855 S *	8/2007	Moisy et al.	D26/28
D561,358 S *	2/2008	Tachibana	D26/28
D619,278 S *	7/2010	Choi et al.	D26/28
D681,856 S *	5/2013	Tsai	D26/28

OTHER PUBLICATIONS

“2012 Design of SantaFe was unveiled to the public,” *Autom*, written on Jan. 26, 2012.

“The teaser image of the new model of Santafe was unveiled,” *Industry Information in the Age of E-Biz*, written on Mar. 11, 2012.

* cited by examiner

Primary Examiner — Marcus Jackson

(74) *Attorney, Agent, or Firm* — Edwards Wildman Palmer LLP

(57) **CLAIM**

The ornamental design for a head lamp for automobiles, as shown and described.

DESCRIPTION

FIG. 1 is a perspective view of a head lamp for automobiles according to the present invention.

FIG. 2 is a front view of the head lamp for automobiles of FIG. 1.

FIG. 3 is a rear view of the head lamp for automobiles of FIG. 1.

FIG. 4 is a left side view of the head lamp for automobiles of FIG. 1.

FIG. 5 is a right side view of the head lamp for automobiles of FIG. 1.

FIG. 6 is a top view of the head lamp for automobiles of FIG. 1; and,

FIG. 7 is a bottom view of the head lamp for automobiles of FIG. 1.

1 Claim, 7 Drawing Sheets



FIG. 1



FIG. 2

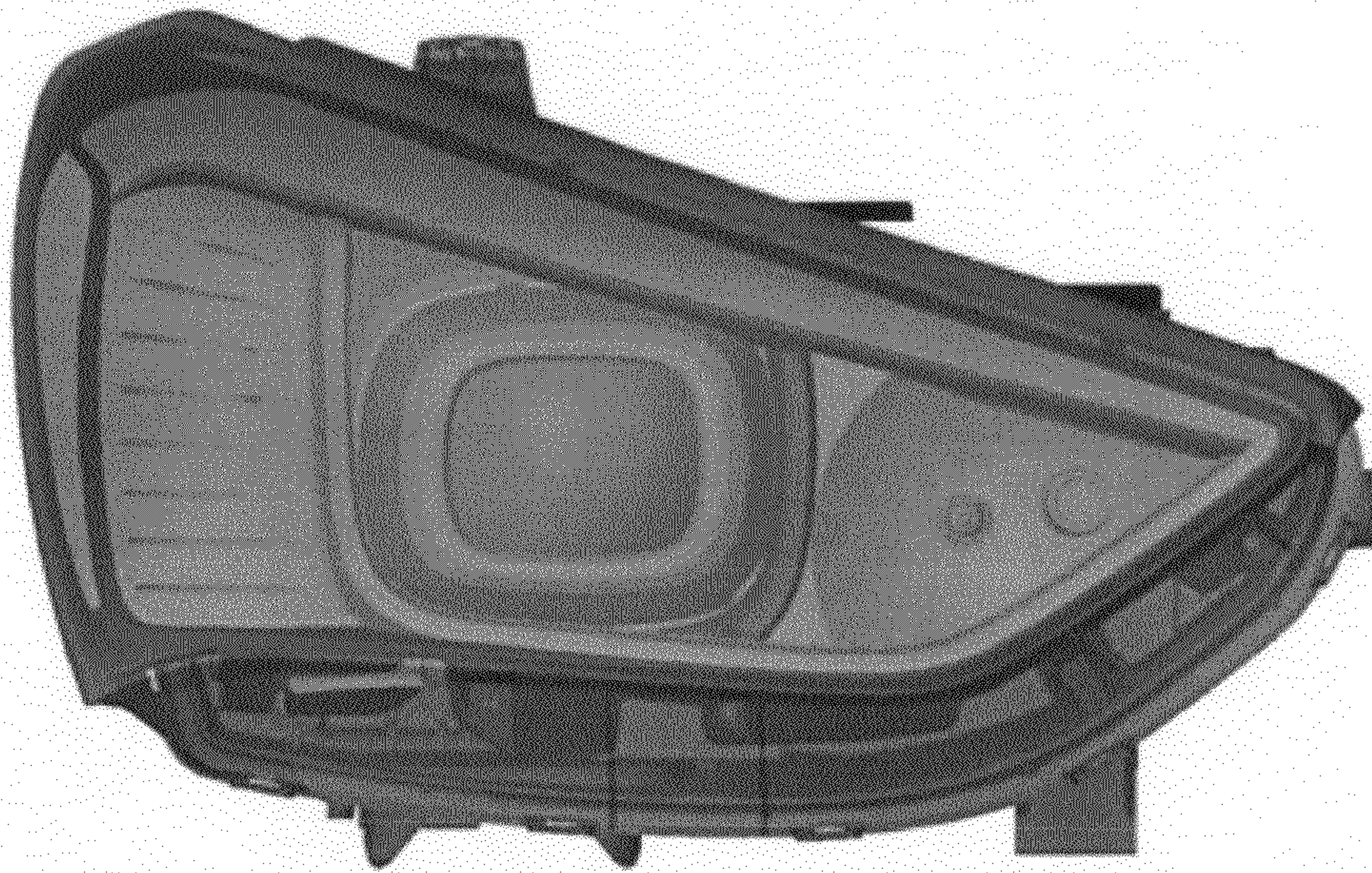


FIG. 3

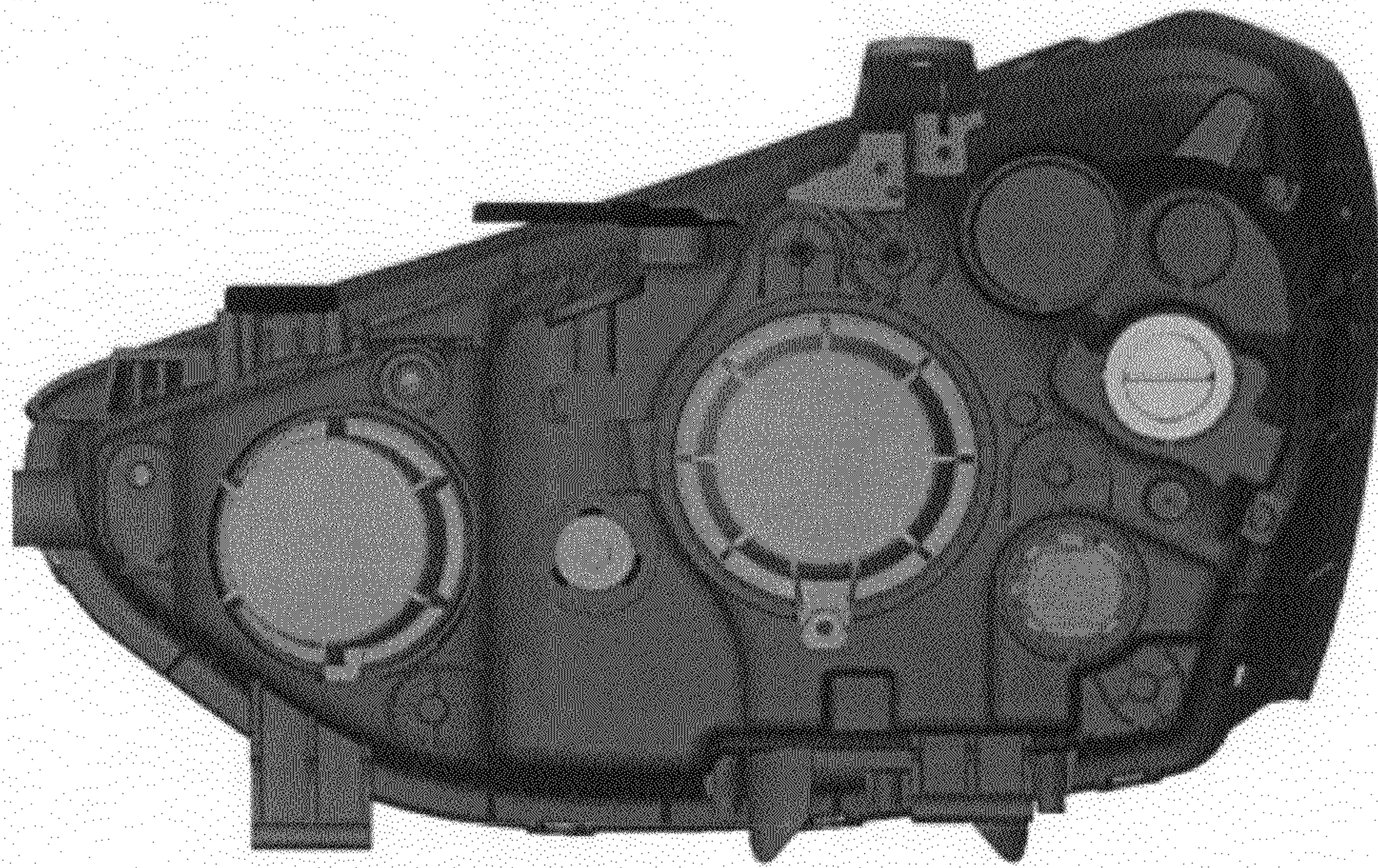


FIG. 4

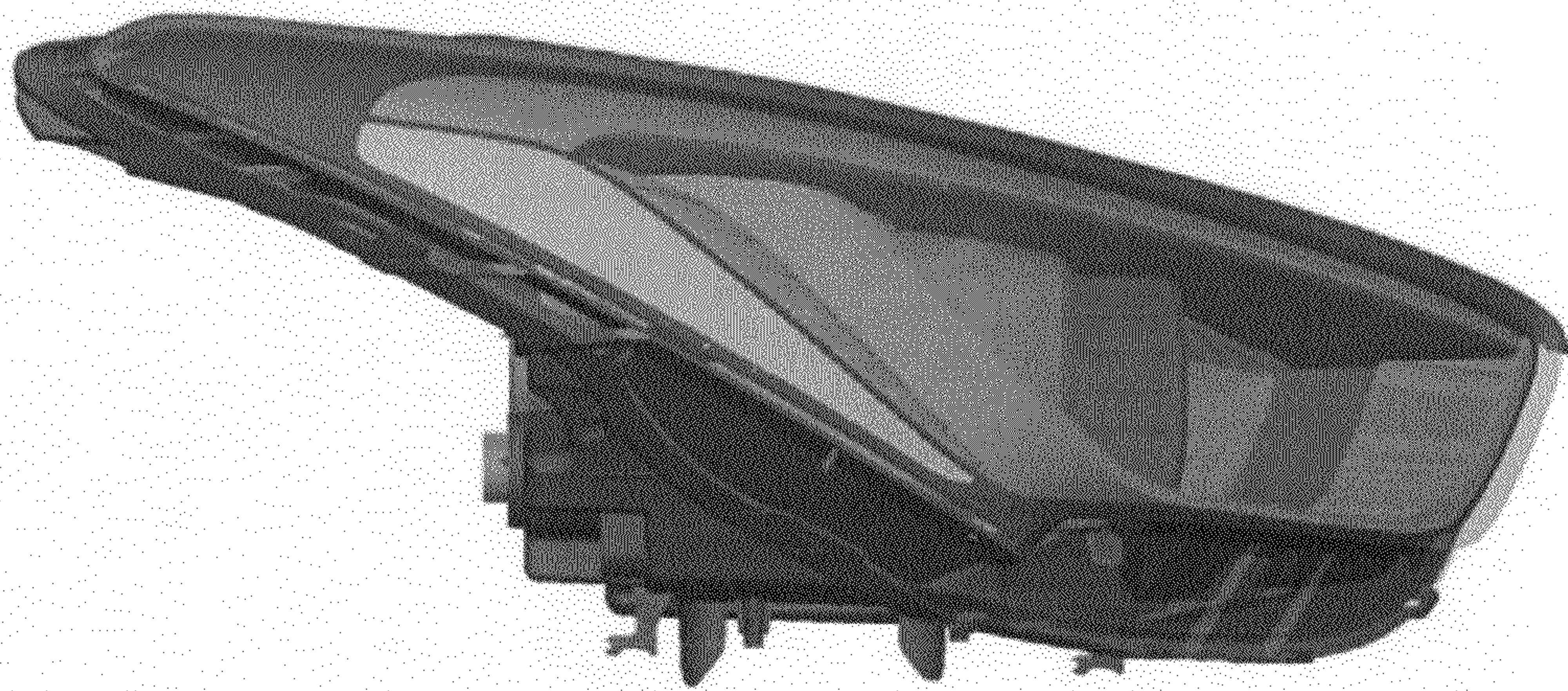


FIG. 5

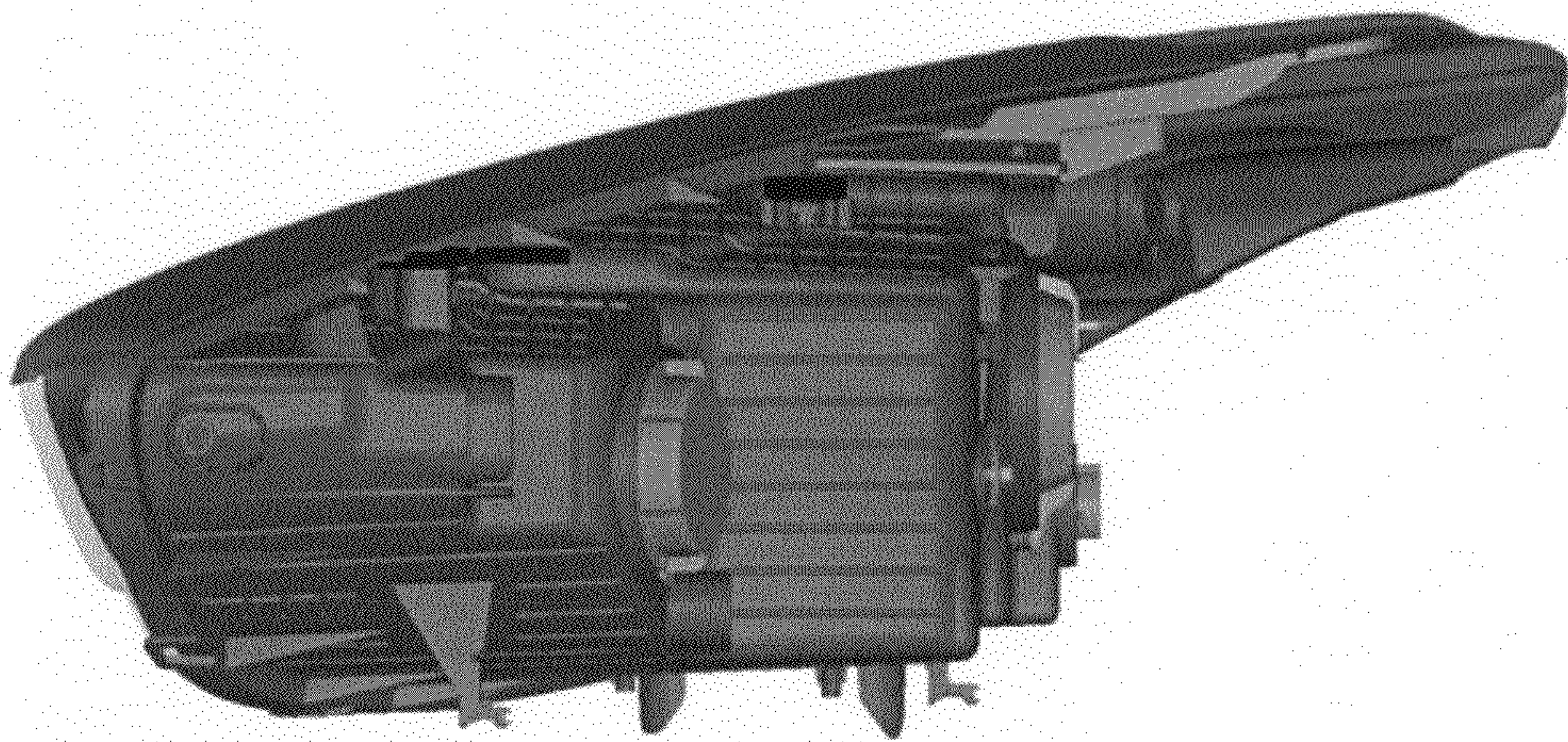


FIG. 6

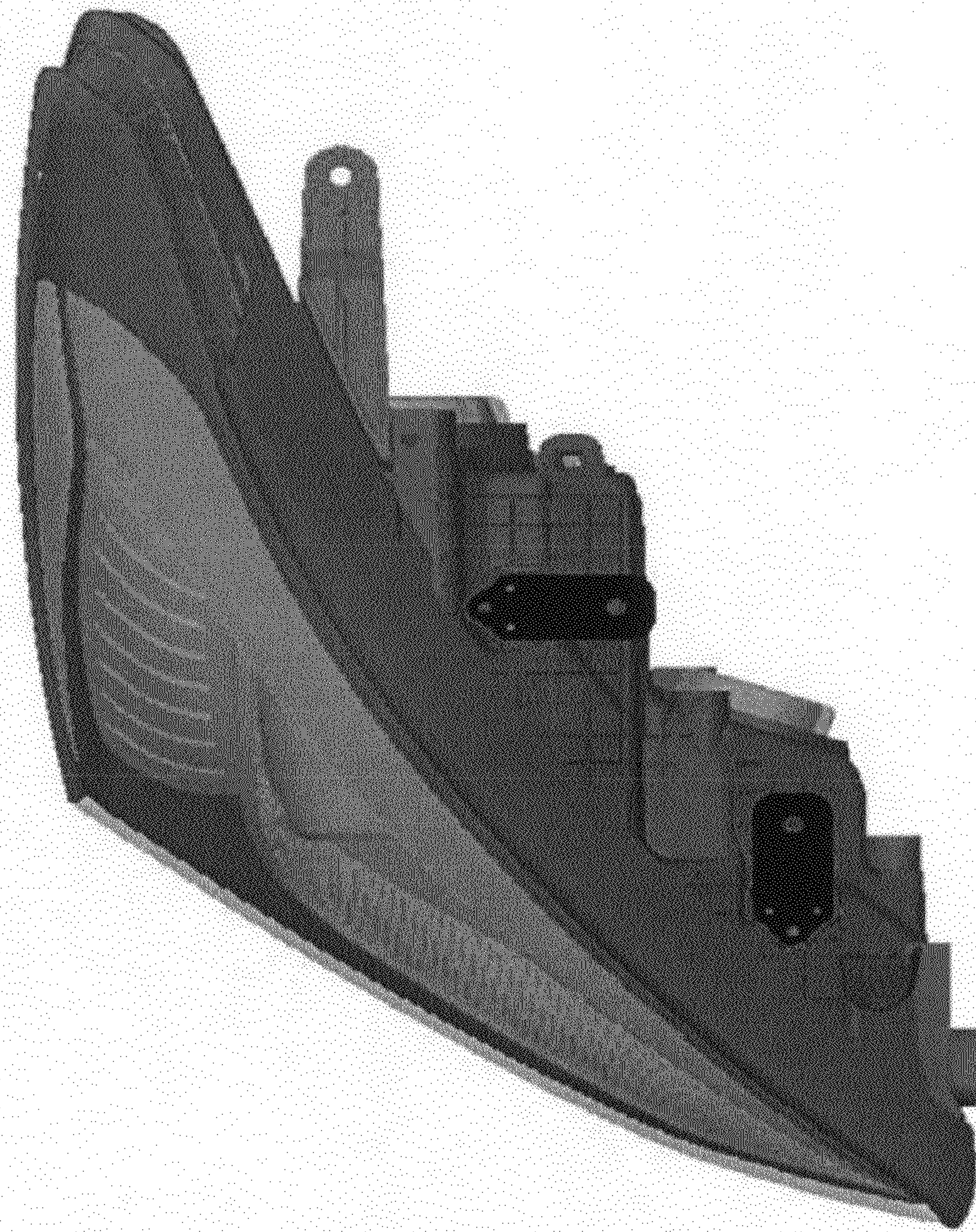


FIG. 7

