



US00D709215S

(12) **United States Design Patent**  
**Futschik et al.**

(10) **Patent No.:** **US D709,215 S**  
(45) **Date of Patent:** **\*\* Jul. 15, 2014**

(54) **TAILLIGHT FOR A VEHICLE**

D691,299 S \* 10/2013 Binder et al. .... D26/28

(75) Inventors: **Hans-Dieter Futschik**, Stuttgart (DE);  
**Stefan Handt**, Stuttgart (DE); **Frank Pfisterer**, Stuttgart (DE); **Gorden Wagener**, Stuttgart (DE)

\* cited by examiner

*Primary Examiner* — Marcus Jackson  
(74) *Attorney, Agent, or Firm* — Crowell & Moring LLP

(73) Assignee: **Daimler AG**, Stuttgart (DE)

(57) **CLAIM**  
The ornamental design for a taillight for a vehicle, as shown and described.

(\*\*) Term: **14 Years**

**DESCRIPTION**

(21) Appl. No.: **29/419,082**

This application contains subject matter related to the following co-pending U.S. design patent applications: Application Ser. No. 29/419,073, filed herewith and entitled "Vehicle, Toy, and/or Replicas Thereof"; Application Ser. No. 29/419,076, filed herewith and entitled "Rear Portion of a Vehicle, Toy, and/or Replicas Thereof"; Application Ser. No. 29/419,078, filed herewith and entitled "Rear Portion of a Vehicle, Toy, and/or Replicas Thereof"; and Application Ser. No. 29/419,083, filed herewith and entitled "Taillight for a Vehicle".

(22) Filed: **Apr. 25, 2012**

(30) **Foreign Application Priority Data**

Oct. 28, 2011 (DE) ..... 402011005333

(51) **LOC (10) CL.** ..... **26-06**

(52) **U.S. CL.**  
USPC ..... **D26/28**

(58) **Field of Classification Search**  
USPC ..... D26/28-36; 362/459-468, 475-478, 362/485-487  
See application file for complete search history.

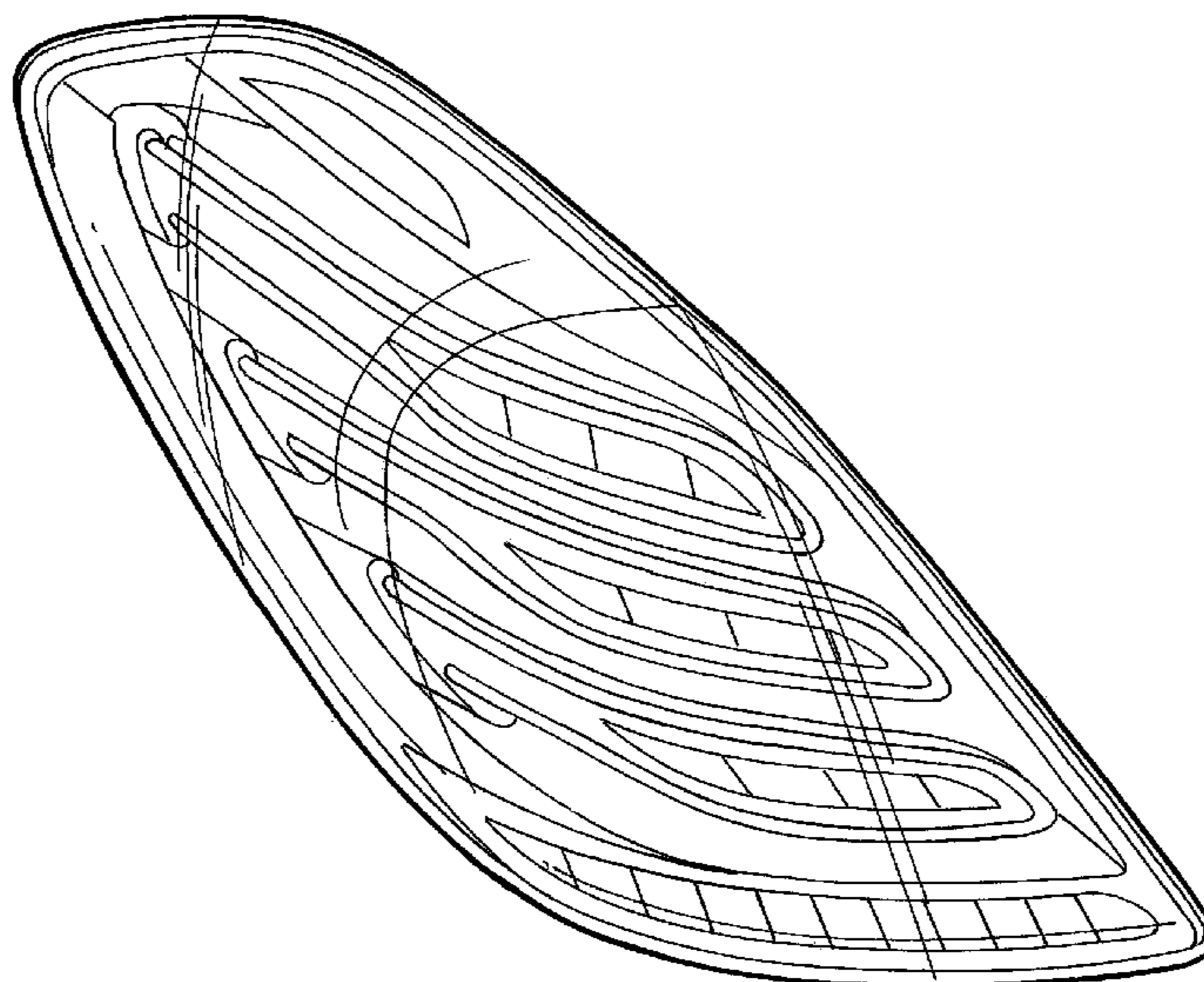
FIG. 1 is a left perspective view of a first embodiment of a taillight for a vehicle according to our design; FIG. 2 is a front view thereof; FIG. 3 is a left side view thereof; and FIG. 4 is a top view thereof. FIG. 5 is a right perspective view of a taillight for a vehicle showing our new design, with the taillight for a vehicle from the opposite side of the vehicle being depicted in the first embodiment; FIG. 6 is a front view thereof; FIG. 7 is a right side view thereof; and, FIG. 8 is a top view thereof. The broken lines are for illustrative purposes only and form no part of the claimed design.

(56) **References Cited**

**U.S. PATENT DOCUMENTS**

|              |         |                 |         |
|--------------|---------|-----------------|---------|
| D514,027 S   | 1/2006  | Pfeiffer et al. |         |
| D549,363 S * | 8/2007  | Pfeiffer        | D26/28  |
| D552,269 S * | 10/2007 | Vibiano         | D25/164 |
| D552,769 S * | 10/2007 | Leclercq        | D26/28  |
| D553,269 S   | 10/2007 | Pfeiffer et al. |         |
| D570,015 S * | 5/2008  | Hsu             | D26/28  |
| D574,524 S * | 8/2008  | Tomatsu         | D26/28  |
| D605,793 S * | 12/2009 | Weil            | D26/28  |

**1 Claim, 4 Drawing Sheets**



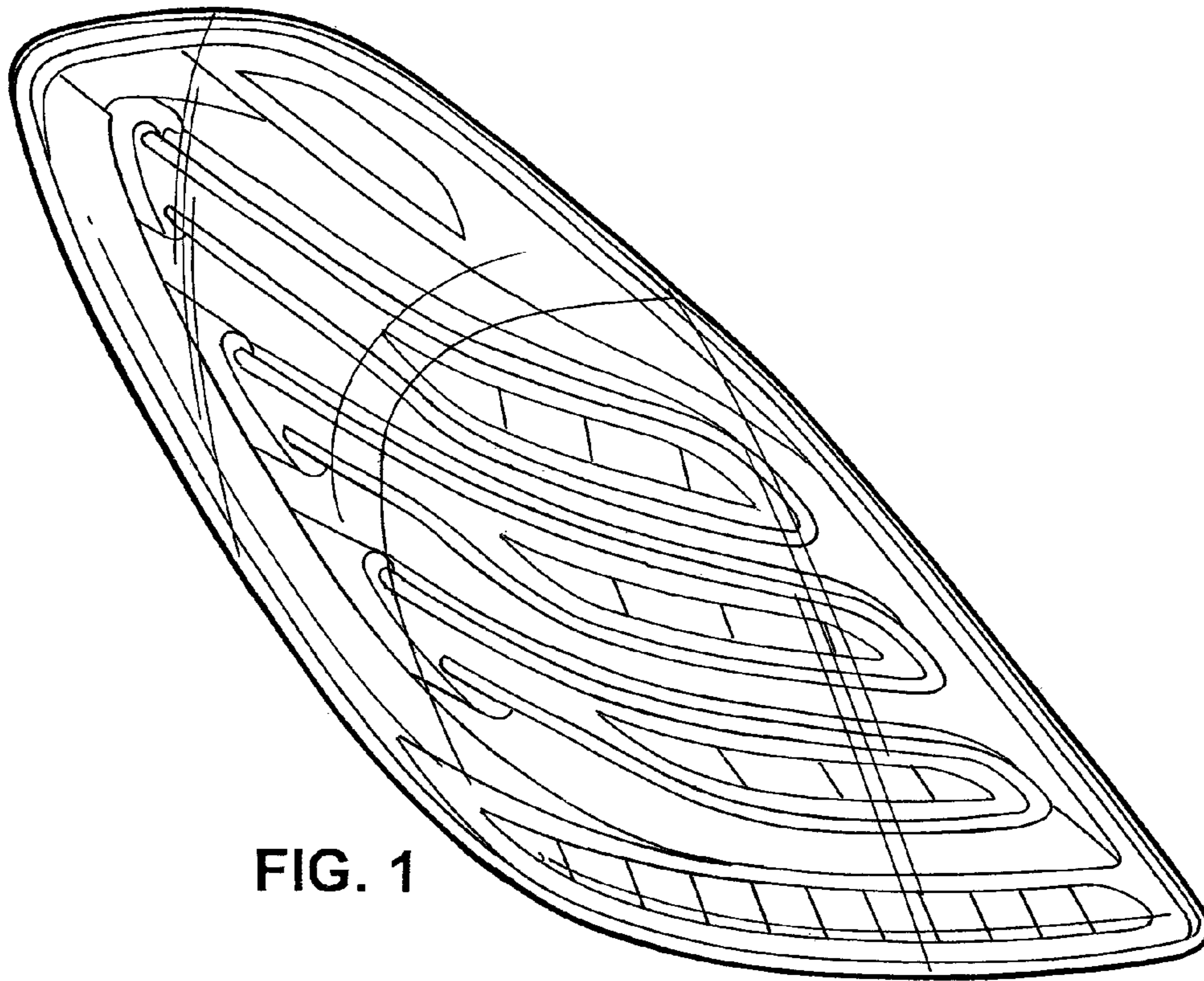


FIG. 1

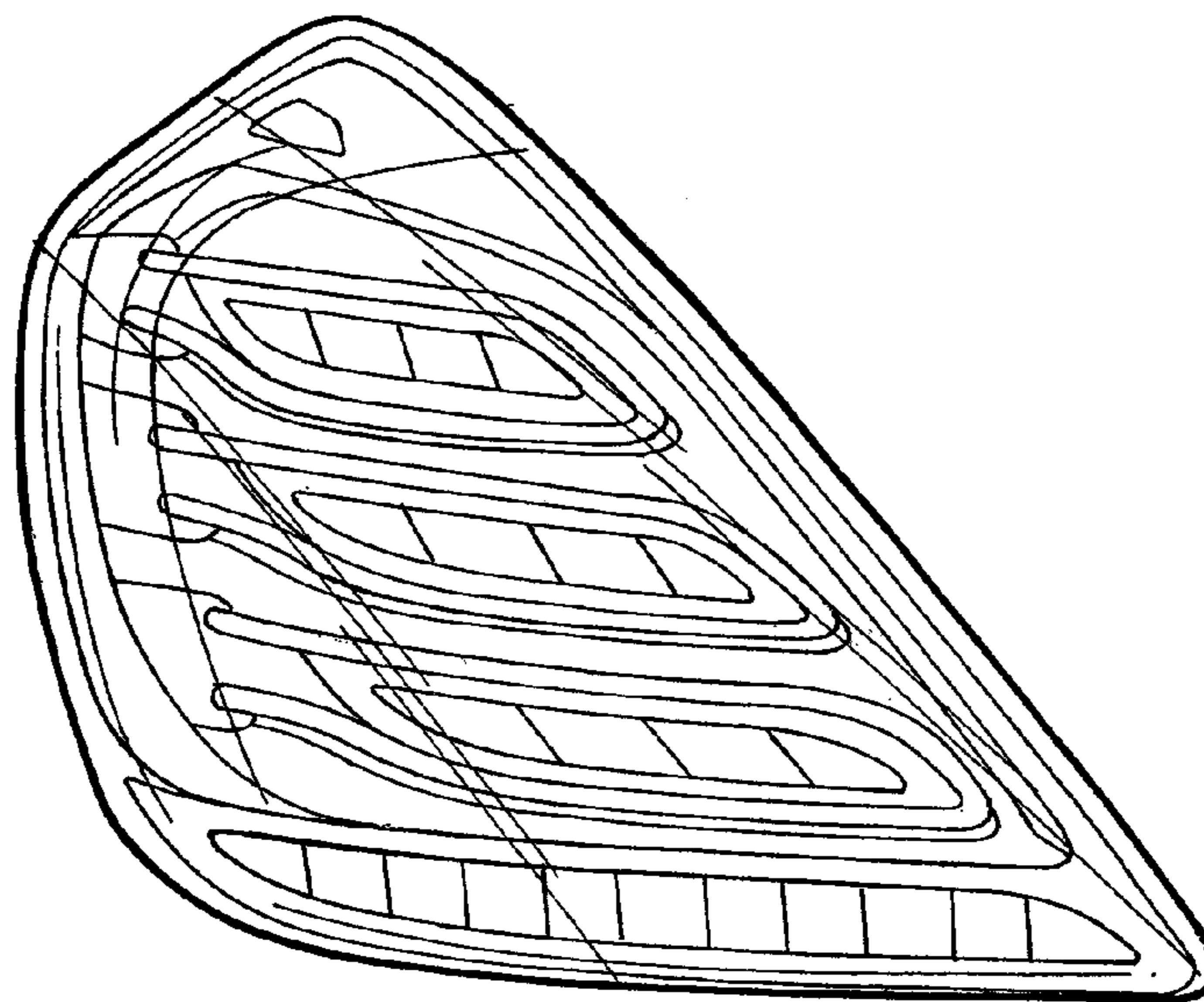


FIG. 2

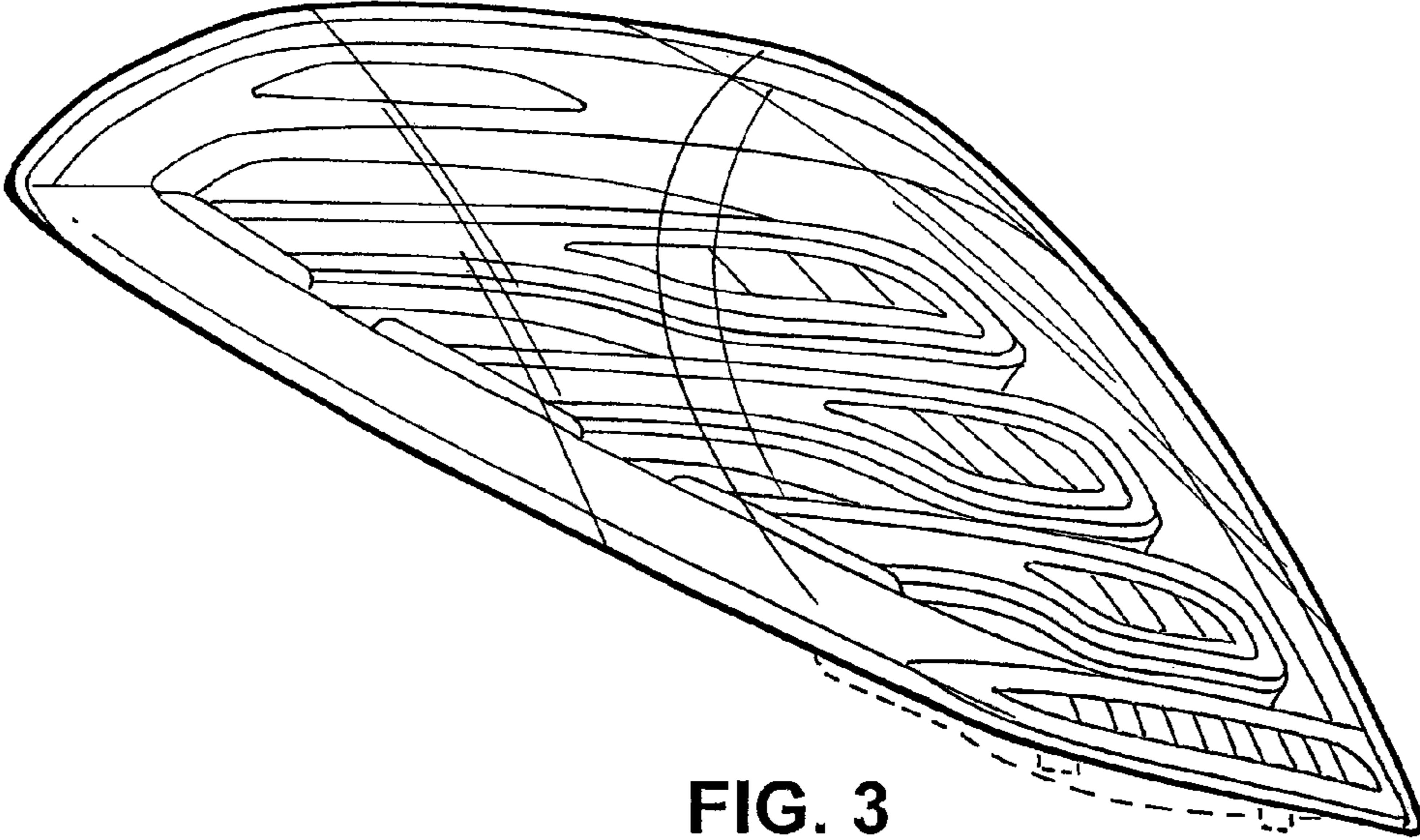


FIG. 3

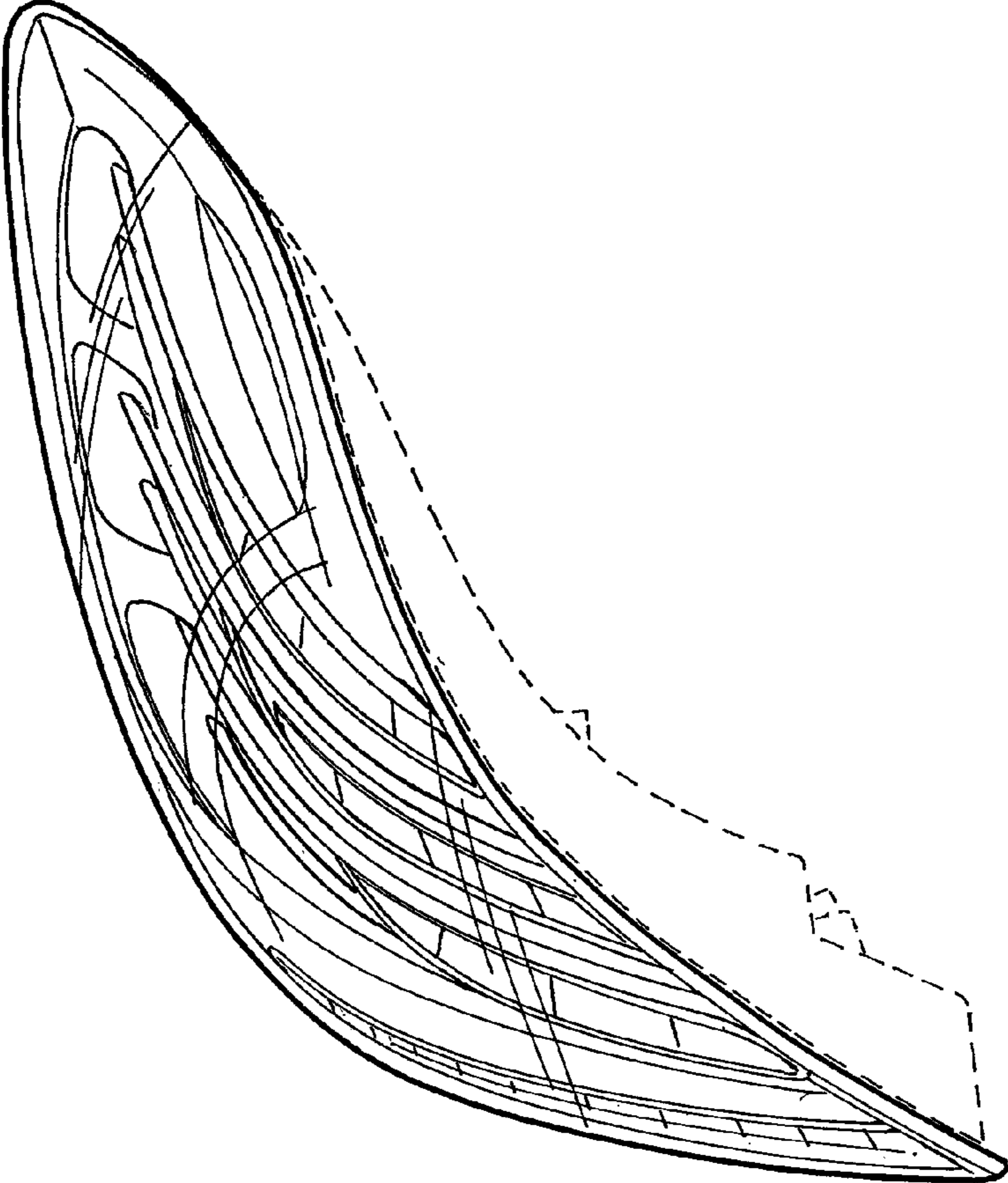


FIG. 4

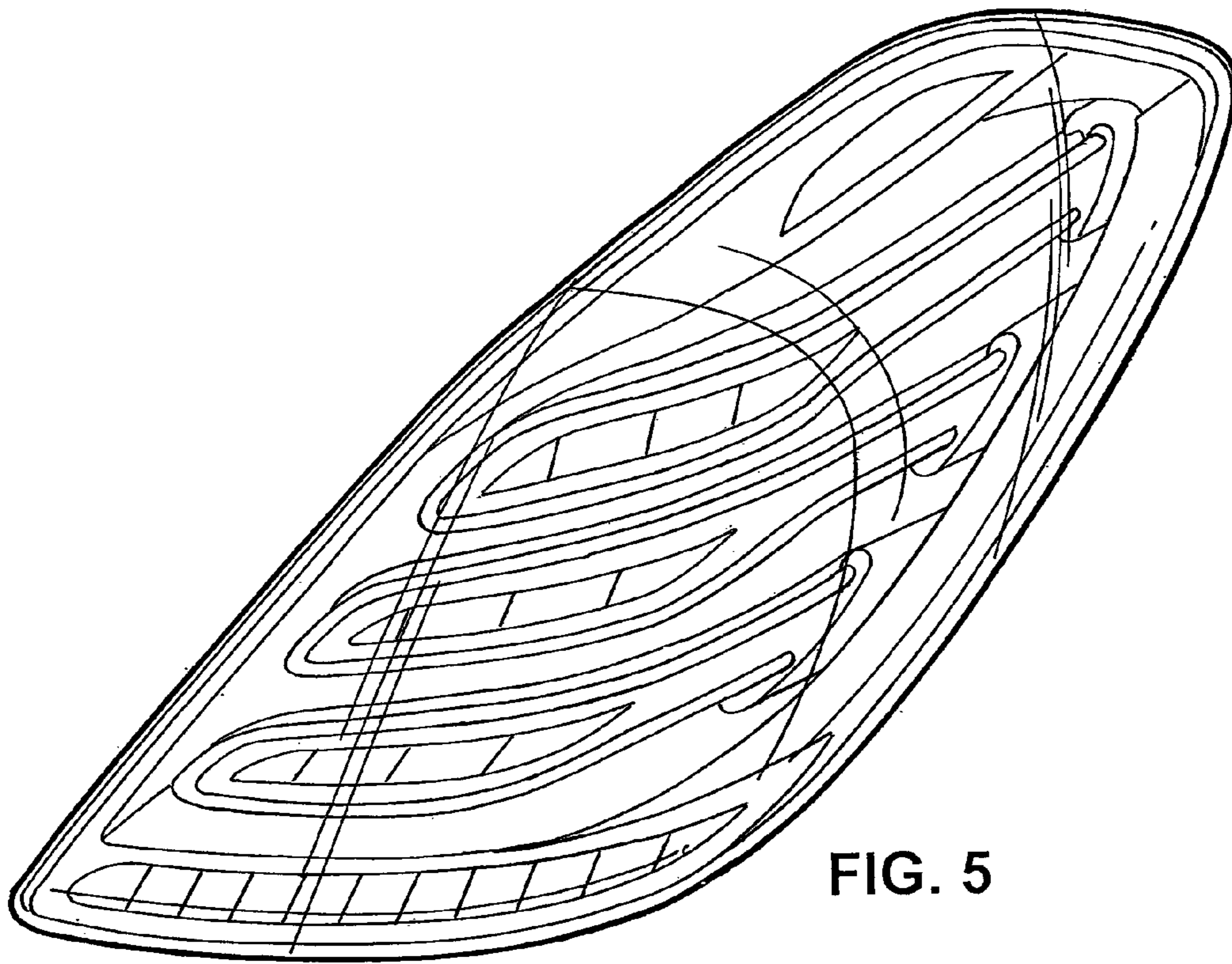


FIG. 5

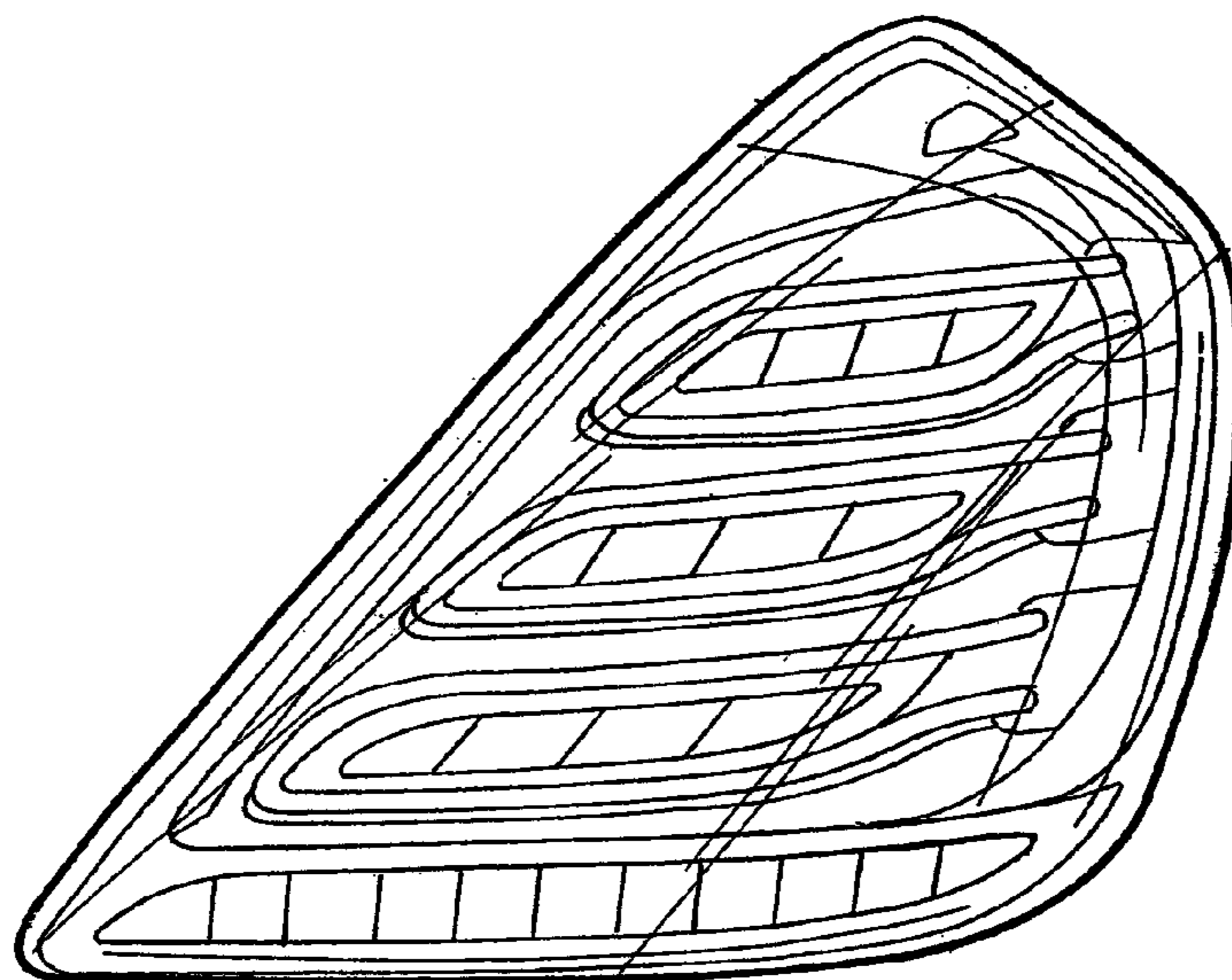


FIG. 6

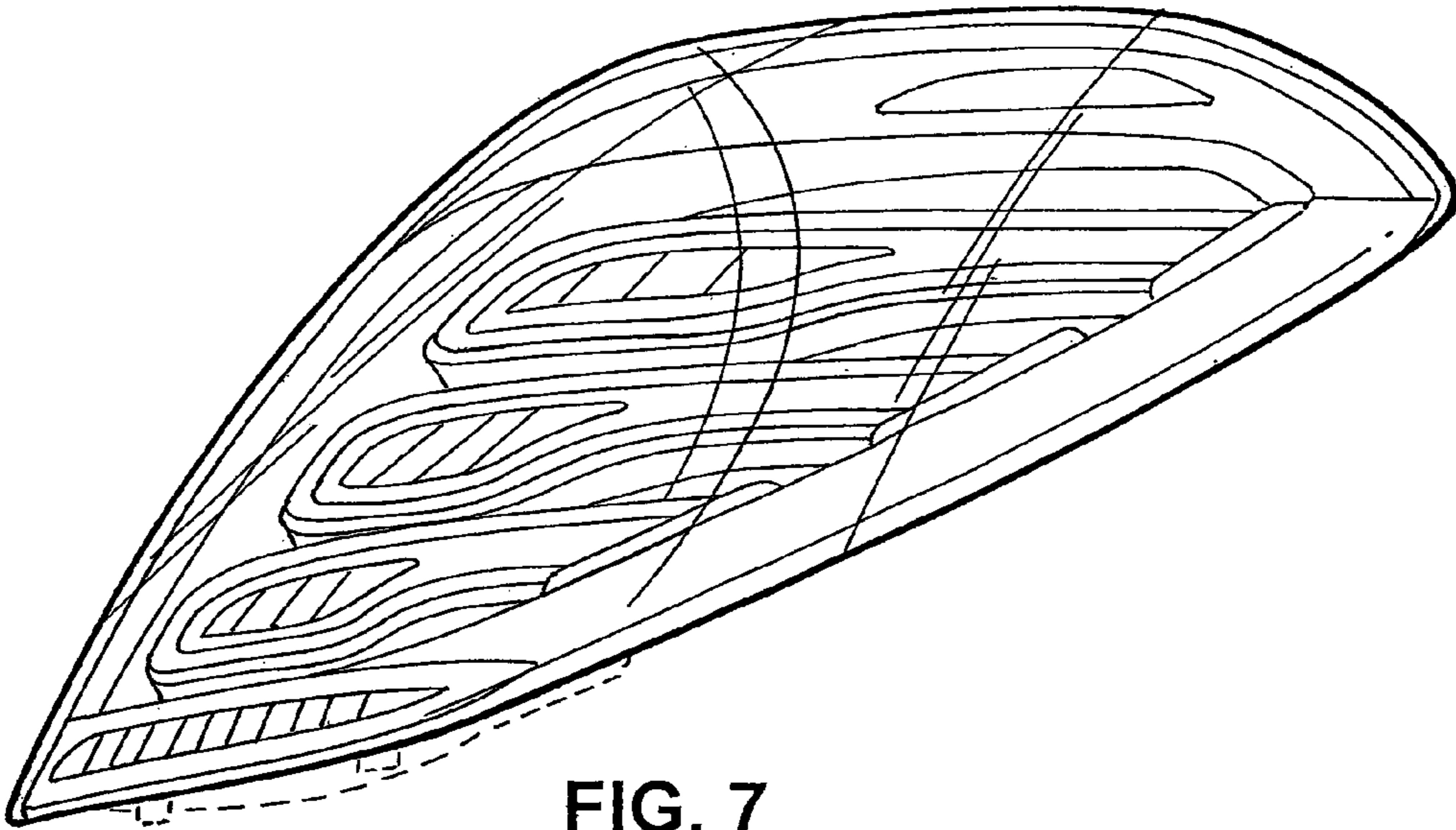


FIG. 7

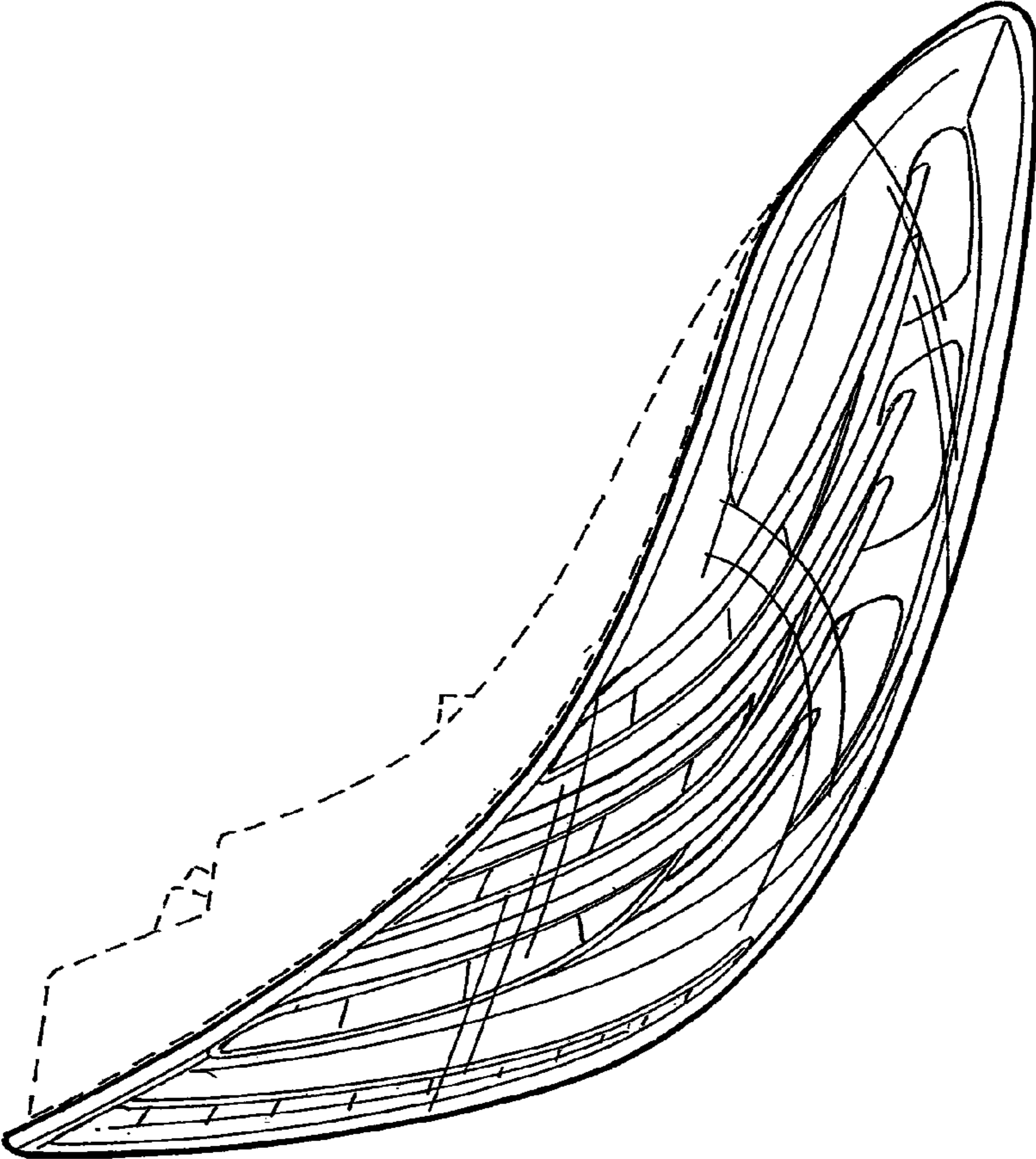


FIG. 8