



US00D709211S

(12) **United States Design Patent**
Calvin et al.

(10) **Patent No.:** **US D709,211 S**

(45) **Date of Patent:** **** Jul. 15, 2014**

(54) **LIGHTING FIXTURE**

(76) Inventors: **Nathan Howard Calvin**, Boise, ID (US); **Dean Andrew Wilkinson**, Boise, ID (US)

(**) Term: **14 Years**

(21) Appl. No.: **29/422,528**

(22) Filed: **May 22, 2012**

(51) **LOC (10) Cl.** **26-03**

(52) **U.S. Cl.**
USPC **D26/24**

(58) **Field of Classification Search**
CPC F21V 9/16; F21V 7/09; F21V 21/30;
F21L 4/00; F21L 7/00; F21L 15/06; F21S
8/08
USPC D26/1, 24, 51, 72, 104; 362/84, 97.2,
362/157, 186, 257, 310, 362
See application file for complete search history.

(56) **References Cited**

U.S. PATENT DOCUMENTS

D198,637 S	7/1964	Birns	
3,377,473 A	4/1968	Breeding et al.	
D296,829 S	7/1988	Peppers	
D322,135 S *	12/1991	Wierzbicki et al.	D26/24
D503,930 S *	4/2005	Asakawa	D13/180
D535,037 S *	1/2007	Kim et al.	D26/1
D565,772 S	4/2008	Guercio	
D566,861 S *	4/2008	Takada et al.	D26/1

D567,980 S	4/2008	Guercio	
D570,024 S	5/2008	Guercio	
D572,396 S	7/2008	Guercio	
D578,673 S *	10/2008	Takada et al.	D26/1
D633,230 S	2/2011	Chen	
D633,243 S	2/2011	Call	
D633,632 S	3/2011	Culbert et al.	
D648,479 S	11/2011	Herman	
D656,262 S	3/2012	Yoshinobu	
D658,317 S	4/2012	Eberle	
D659,878 S	5/2012	Rahidi	

* cited by examiner

Primary Examiner — Brian N Vinson

(74) *Attorney, Agent, or Firm* — Gerard Carlson

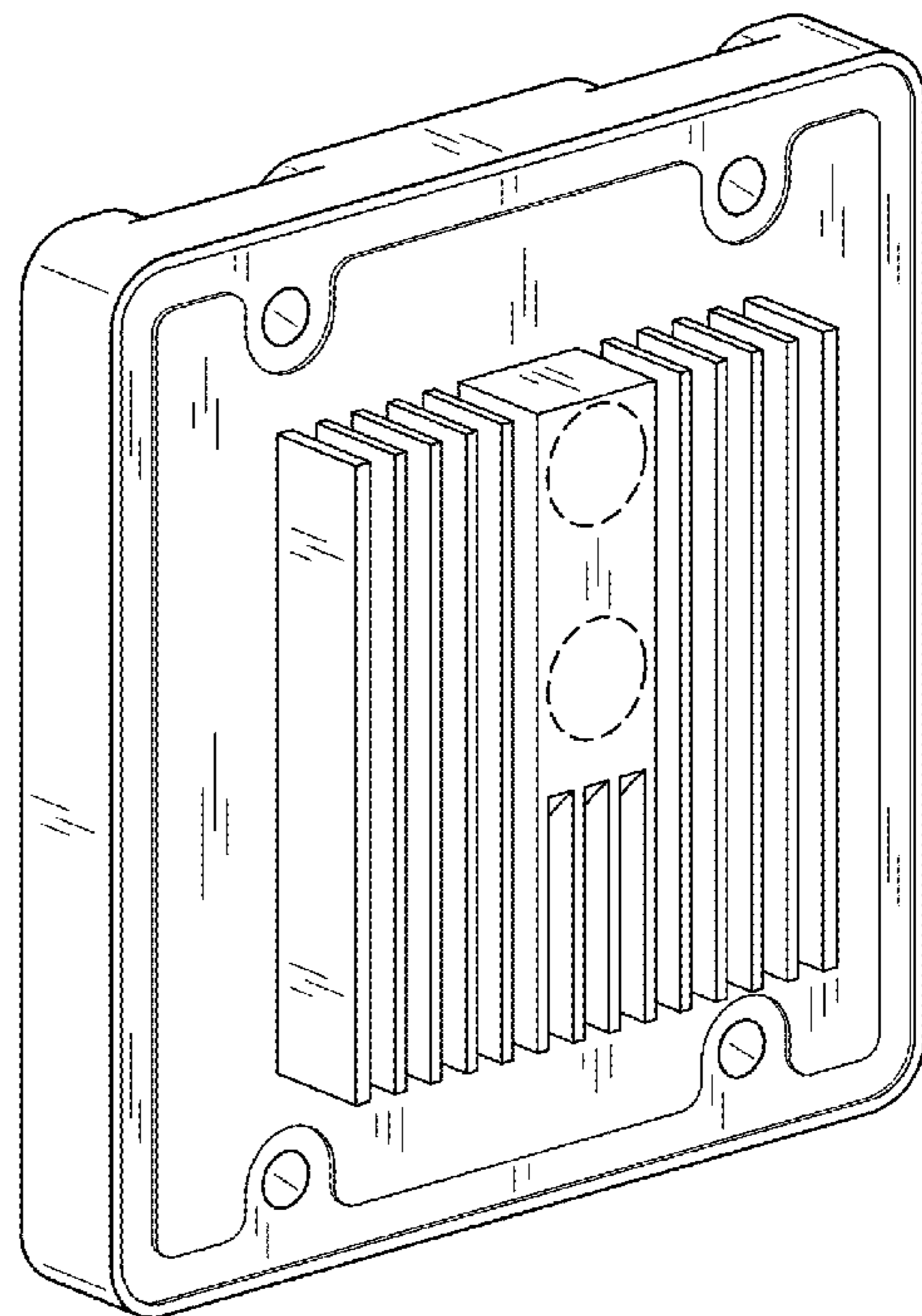
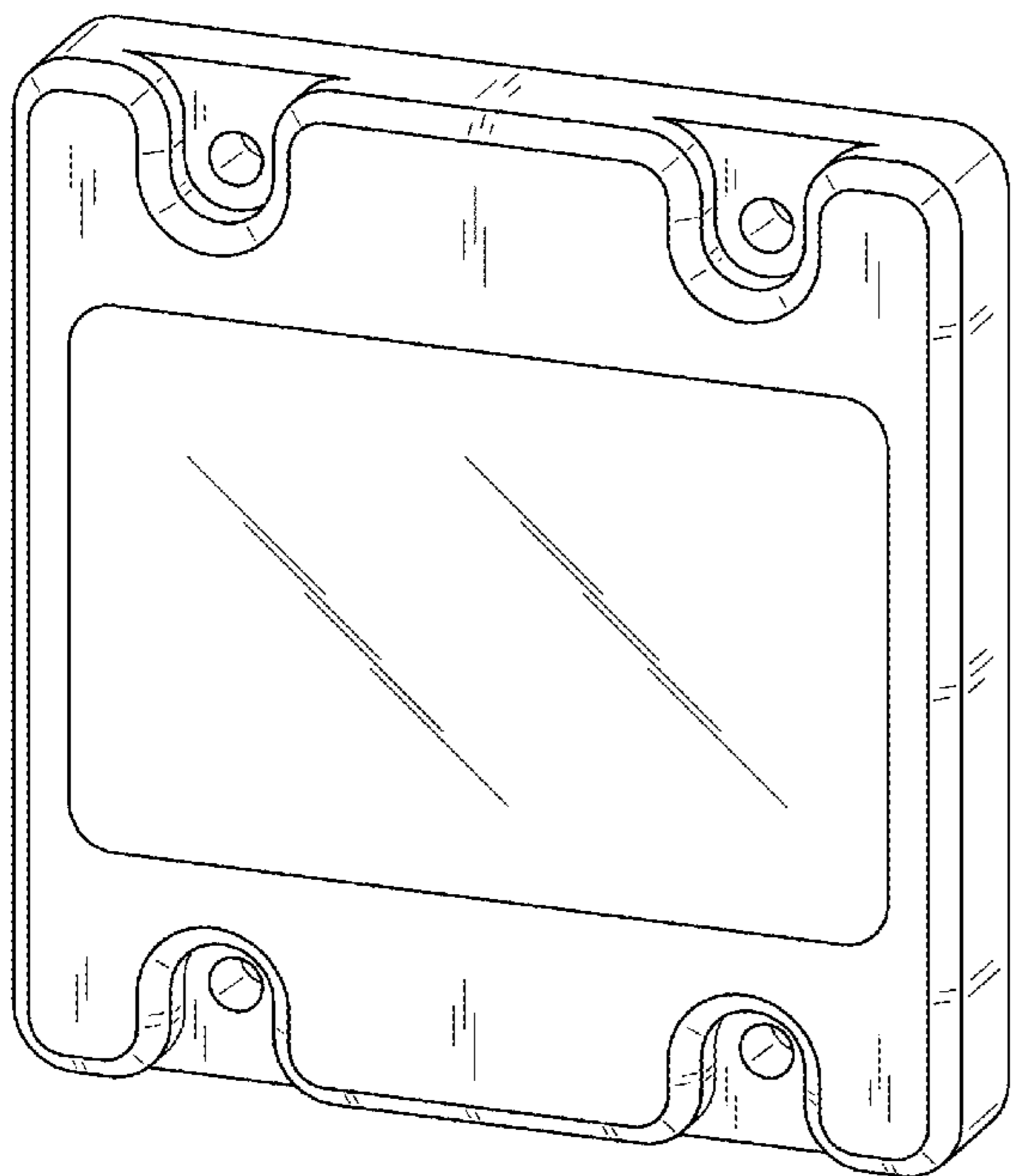
(57) **CLAIM**

The ornamental design for a lighting fixture, as shown and described.

DESCRIPTION

FIG. 1 is an perspective view of the front of the lighting fixture.
FIG. 2 is an perspective view of the rear of the lighting fixture.
FIG. 3 is a front view of the lighting fixture.
FIG. 4 is a left side view of the lighting fixture. The right side view is not shown as it is a mirror image of the left side view.
FIG. 5 is a top view of the lighting fixture.
FIG. 6 is a bottom view of the lighting fixture; and,
FIG. 7 is a rear view of the lighting fixture.

1 Claim, 4 Drawing Sheets



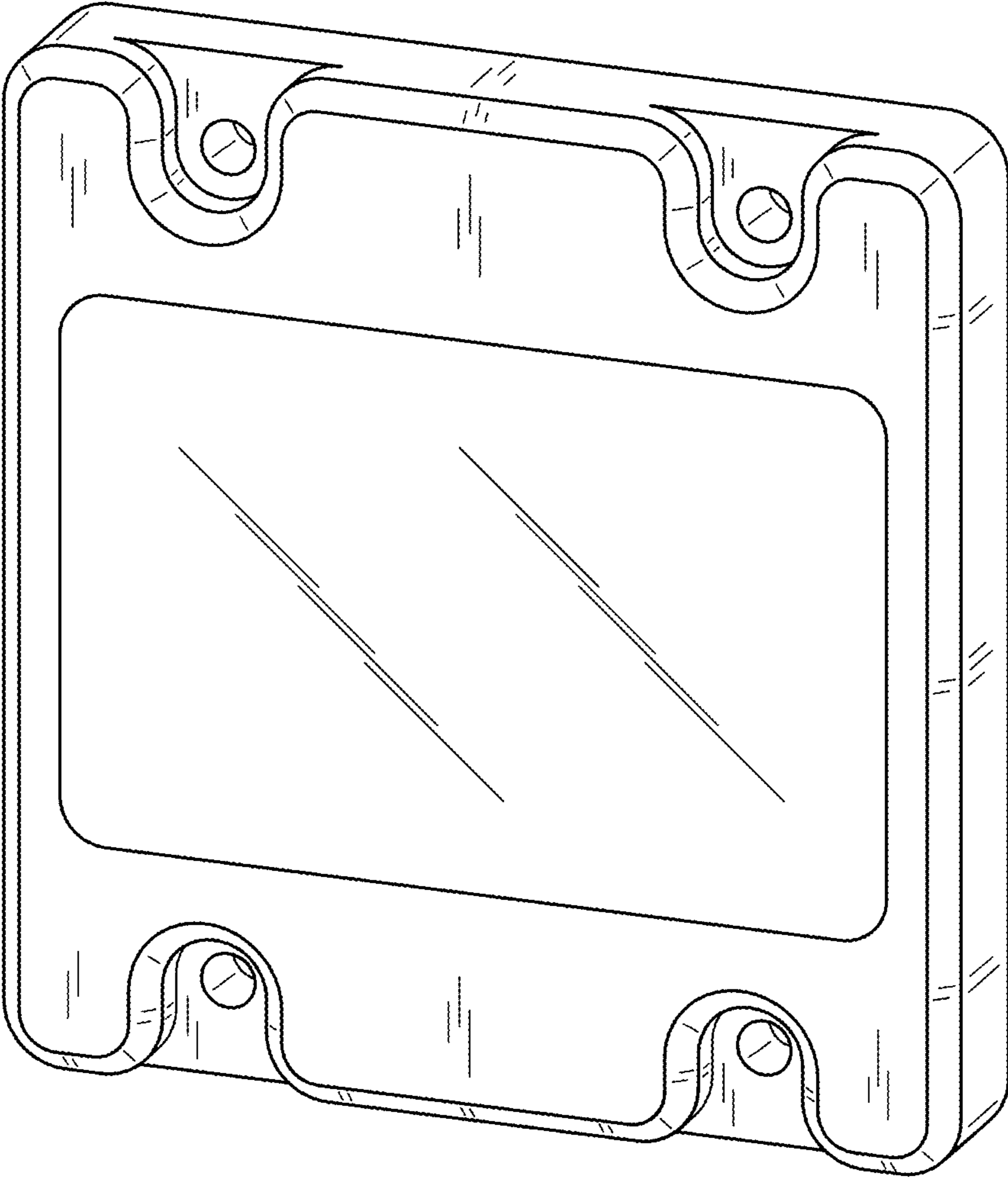


FIG. 1

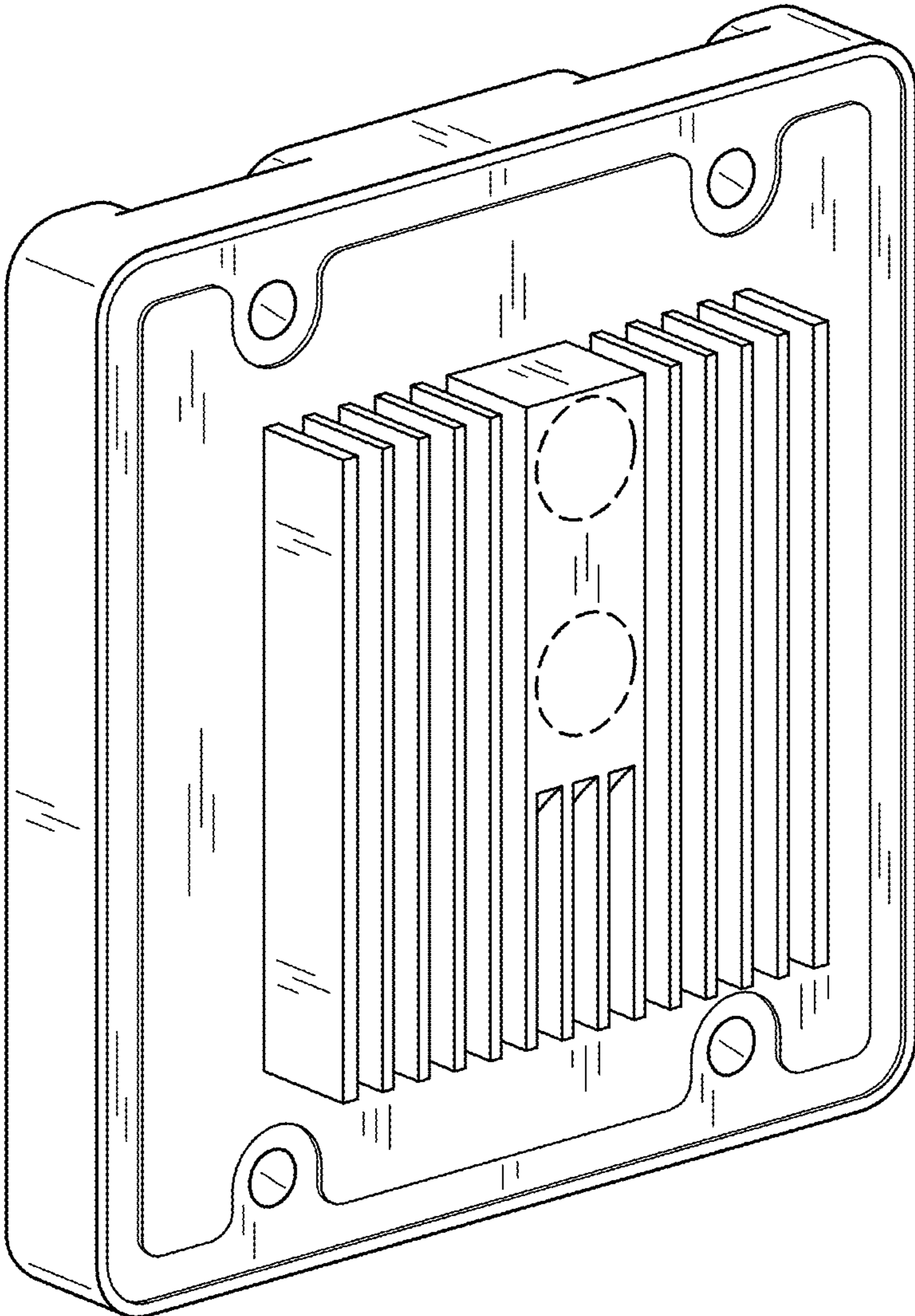


FIG. 2

FIG. 5

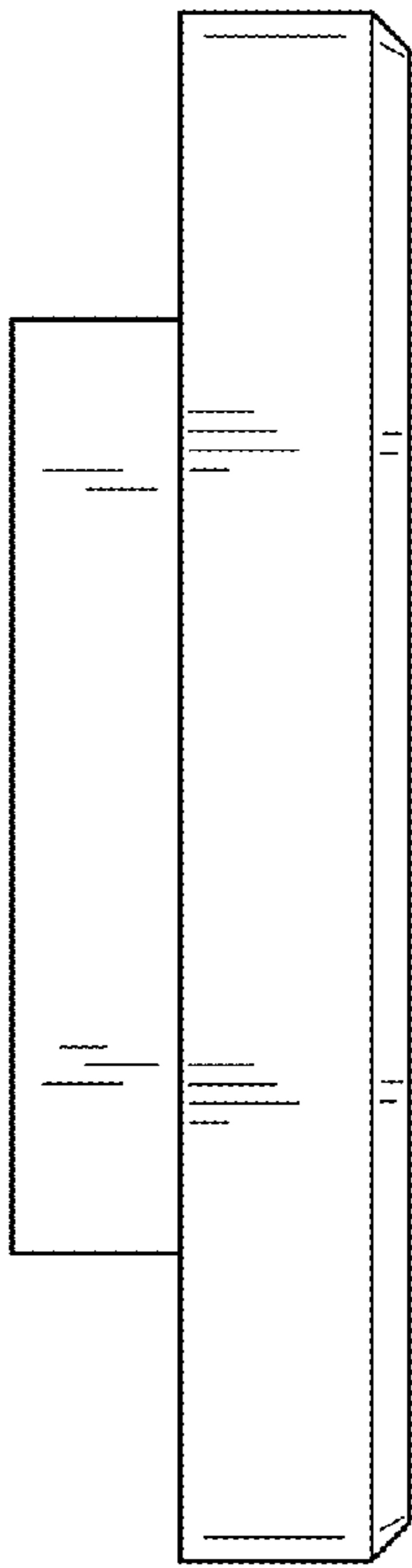
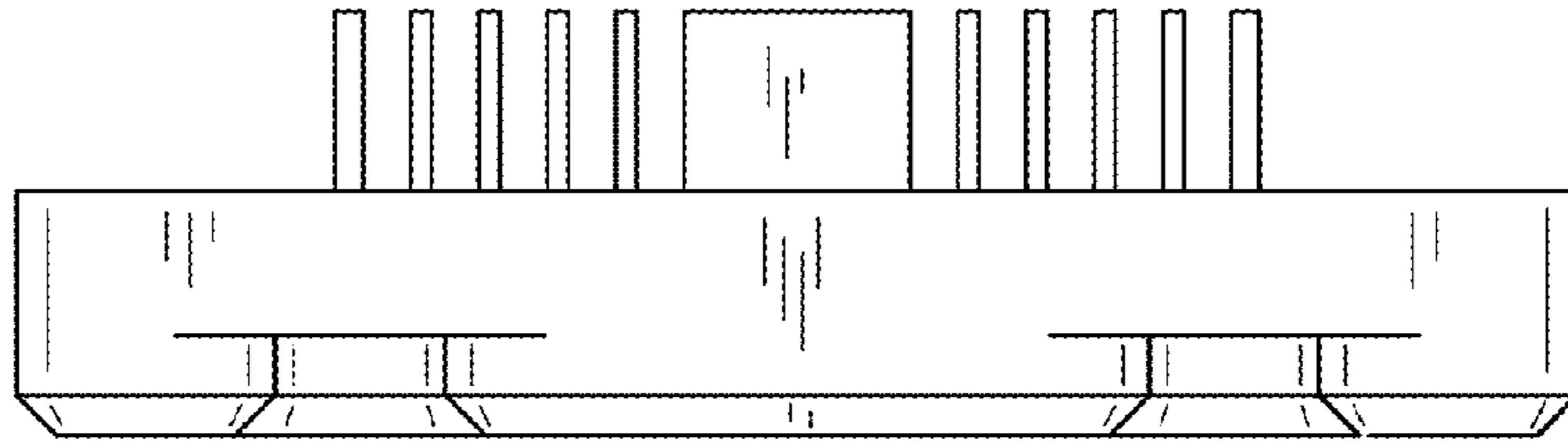


FIG. 4

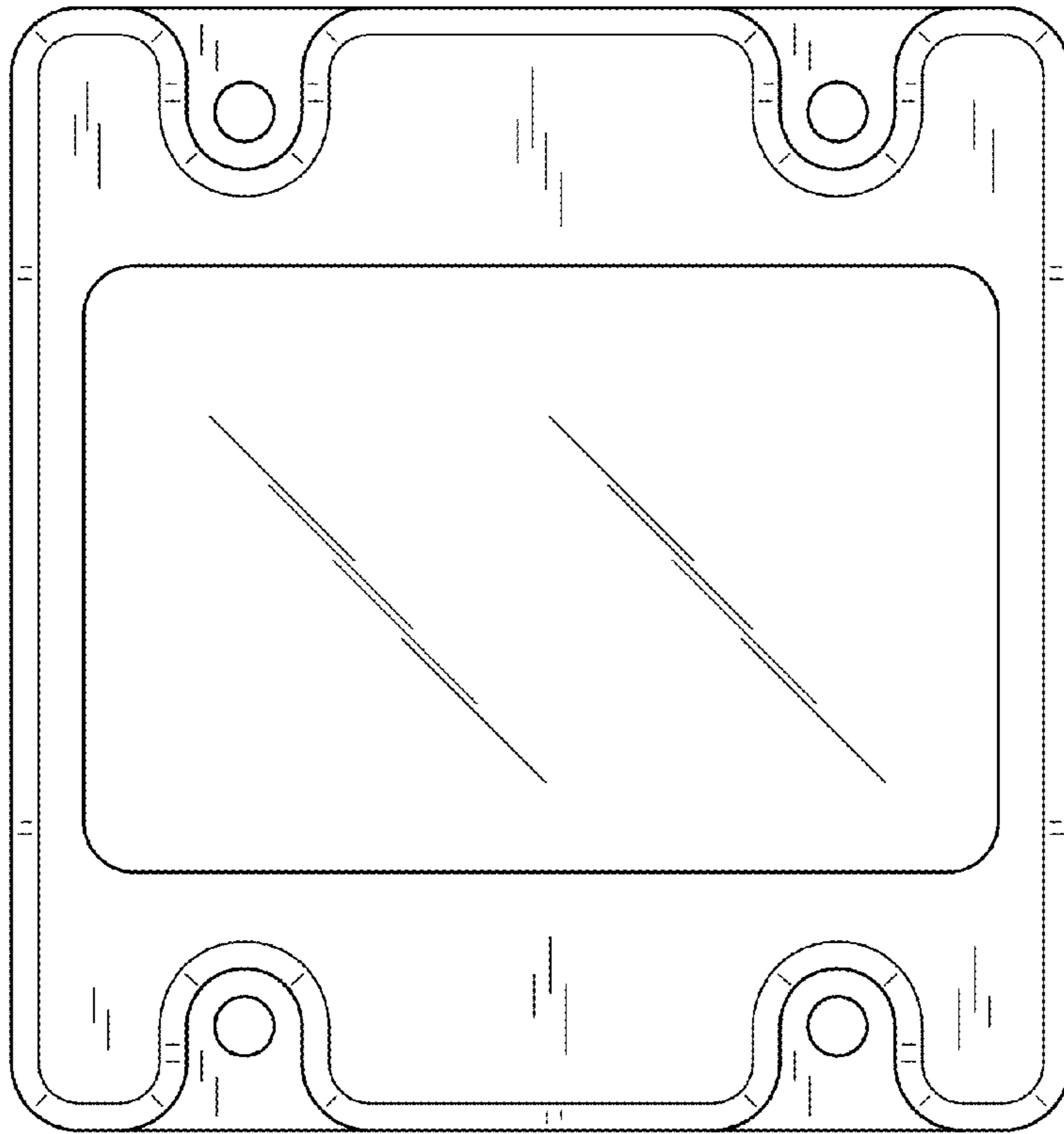
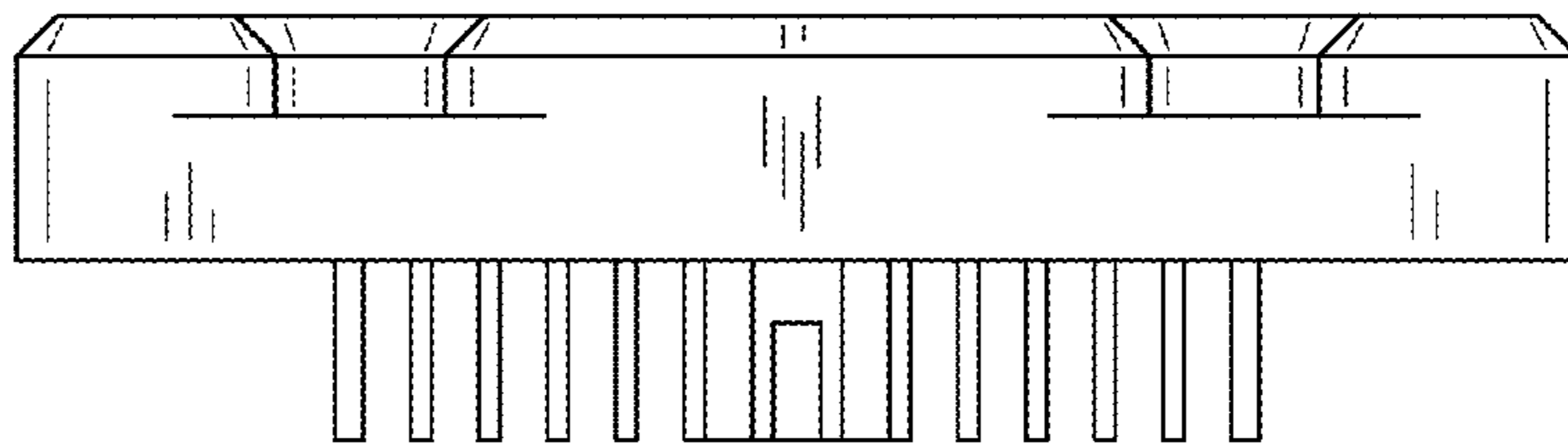


FIG. 3

FIG. 6



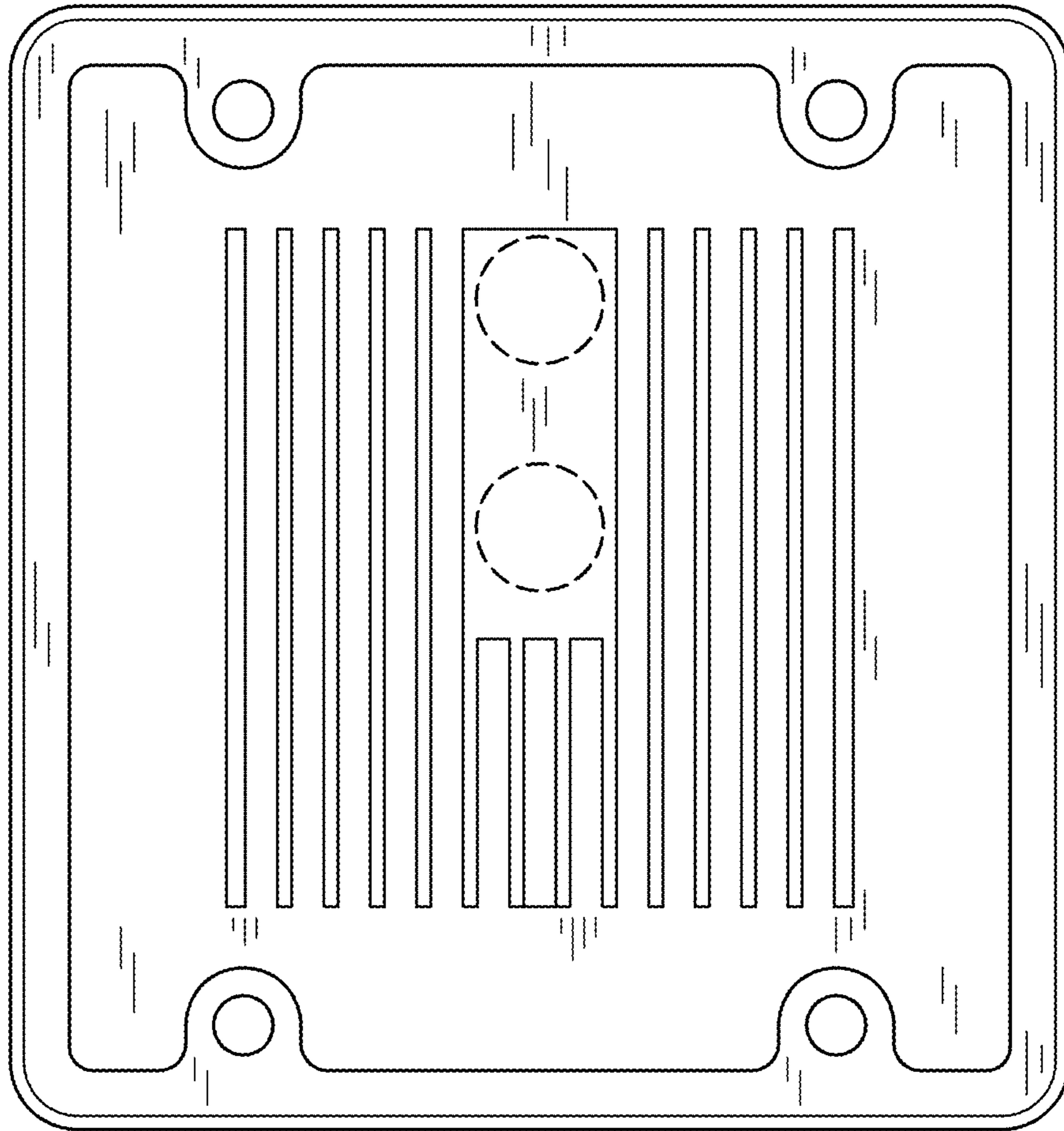


FIG. 7