



US00D709210S

(12) **United States Design Patent**
D'Argy et al.

(10) **Patent No.:** **US D709,210 S**

(45) **Date of Patent:** **** Jul. 15, 2014**

(54) **TEST TUBE HOLDER**

(75) Inventors: **Stefan D'Argy**, Uppsala (SE); **Bjorn A. Johansson**, Uppsala (SE); **Nils Norrman**, Uppsala (SE); **David Gwyn Treharne**, Newport (GB); **Stevan Paul Tortorella**, Wells, ME (US)

(73) Assignee: **GE Healthcare Bio-Sciences AB**, Uppsala (SE)

(**) Term: **14 Years**

(21) Appl. No.: **29/402,999**

(22) Filed: **Sep. 30, 2011**

(30) **Foreign Application Priority Data**

Mar. 30, 2011 (SE) 2011/0145

(51) **LOC (10) CL.** **24-02**

(52) **U.S. CL.**
USPC **D24/227**

(58) **Field of Classification Search**
USPC D24/106, 107, 113, 128, 143, 158, 176,
D24/199, 200, 227-232, 224; 128/657, 658;
422/1, 61, 68.1, 99-104, 129; 600/300,
600/301, 368, 372, 481, 529, 544, 554, 561
See application file for complete search history.

(56) **References Cited**

U.S. PATENT DOCUMENTS

D282,206 S * 1/1986 Roy et al. D24/230
D288,483 S * 2/1987 Mora D24/230
D290,401 S * 6/1987 Bjorkman D24/227

D414,273 S * 9/1999 Smith et al. D24/227
D453,572 S * 2/2002 Livecchi D24/224
D501,561 S * 2/2005 Smith D24/227
D501,562 S * 2/2005 Smith D24/230
D501,679 S * 2/2005 Smith D24/229
D501,680 S * 2/2005 Smith D24/230
D517,700 S * 3/2006 Pressman et al. D24/227
D524,448 S * 7/2006 Telimaa et al. D24/227
D624,194 S * 9/2010 Pack et al. D24/224
D637,311 S * 5/2011 Isobe et al. D24/227
D637,312 S * 5/2011 Isobe et al. D24/227
D662,603 S * 6/2012 Greenizen D24/227
D665,096 S * 8/2012 Marsche et al. D24/227
D675,337 S * 1/2013 Peplow D24/227
2003/0215370 A1 * 11/2003 Itoh 422/104

* cited by examiner

Primary Examiner — T. Chase Nelson
Assistant Examiner — Mark Cavanna

(57) **CLAIM**

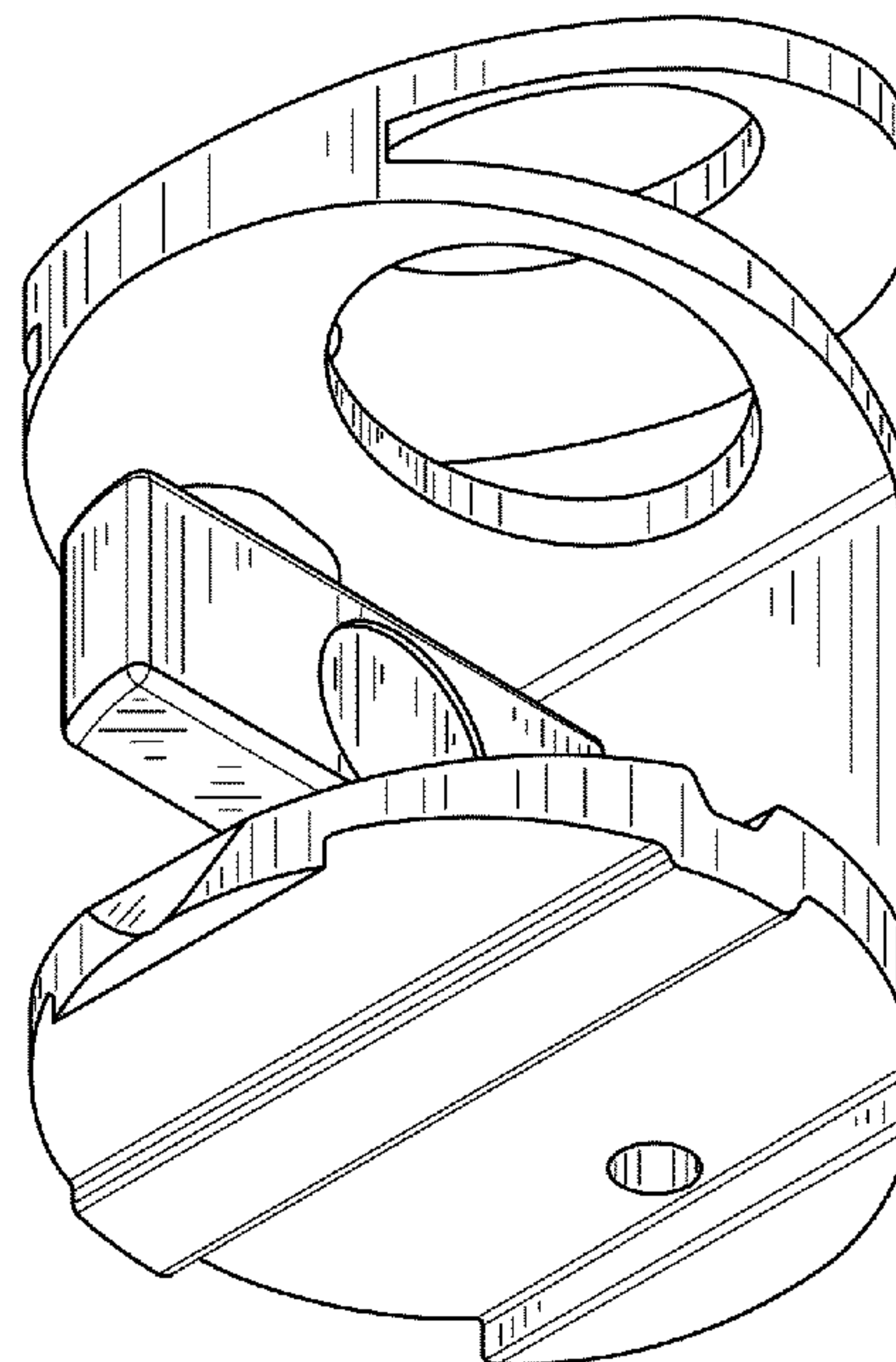
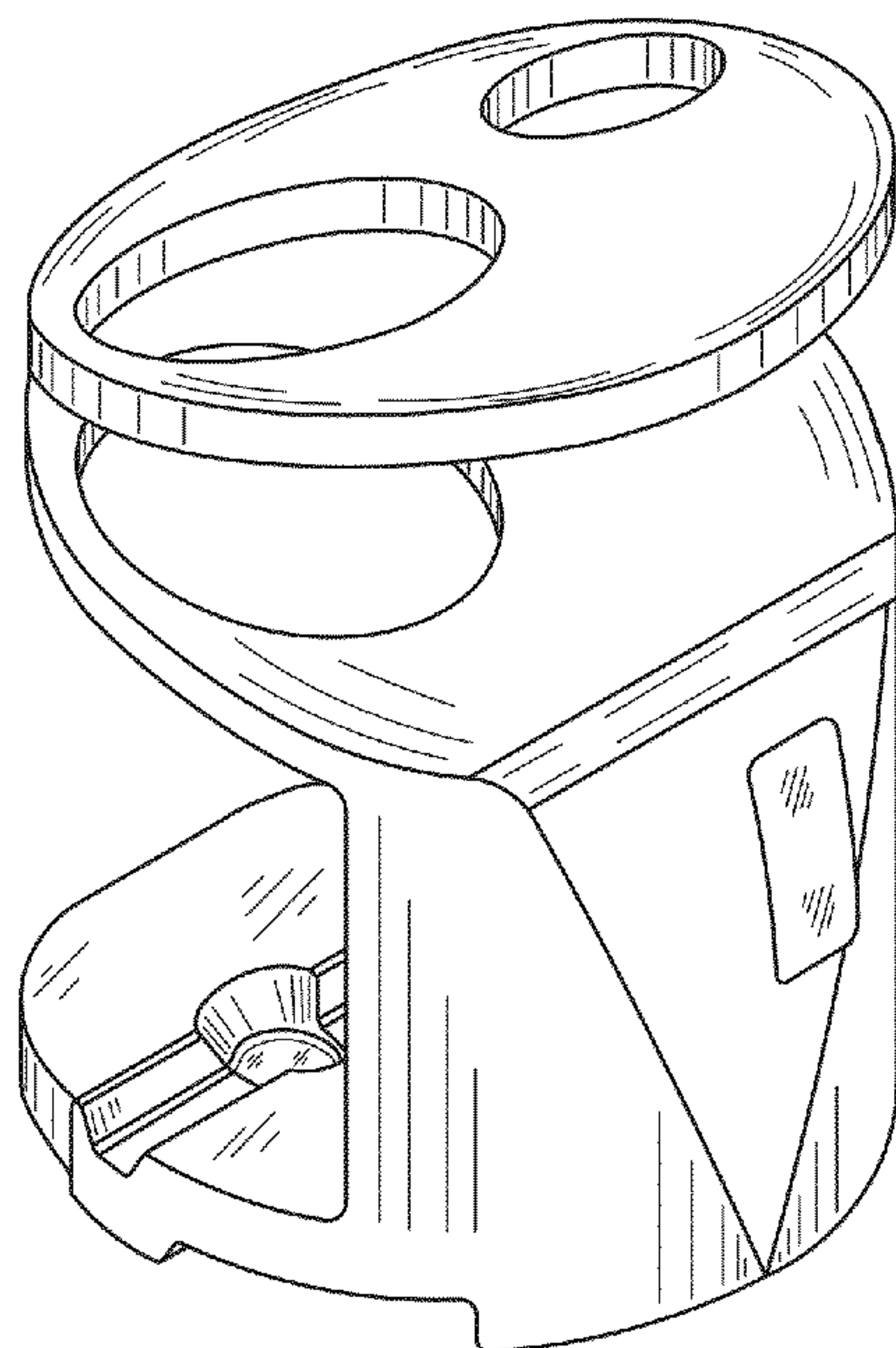
The ornamental design for a test tube holder, as shown and described.

DESCRIPTION

FIG. 1 is a perspective view of the test tube holder showing our new design.
FIG. 2 is a left side view of the test tube holder of FIG. 1
FIG. 3 is a right side view of the test tube holder of FIG. 1.
FIG. 4 is a rear view of the test tube holder of FIG. 1.
FIG. 5 is a top plan view of the test tube holder of FIG. 1; and,
FIG. 6 is a perspective view from underneath of the test tube holder of FIG. 1.

The broken lines are included for the purpose of illustrating unclaimed portions of the test tube holder and form no part of the claimed design.

1 Claim, 6 Drawing Sheets



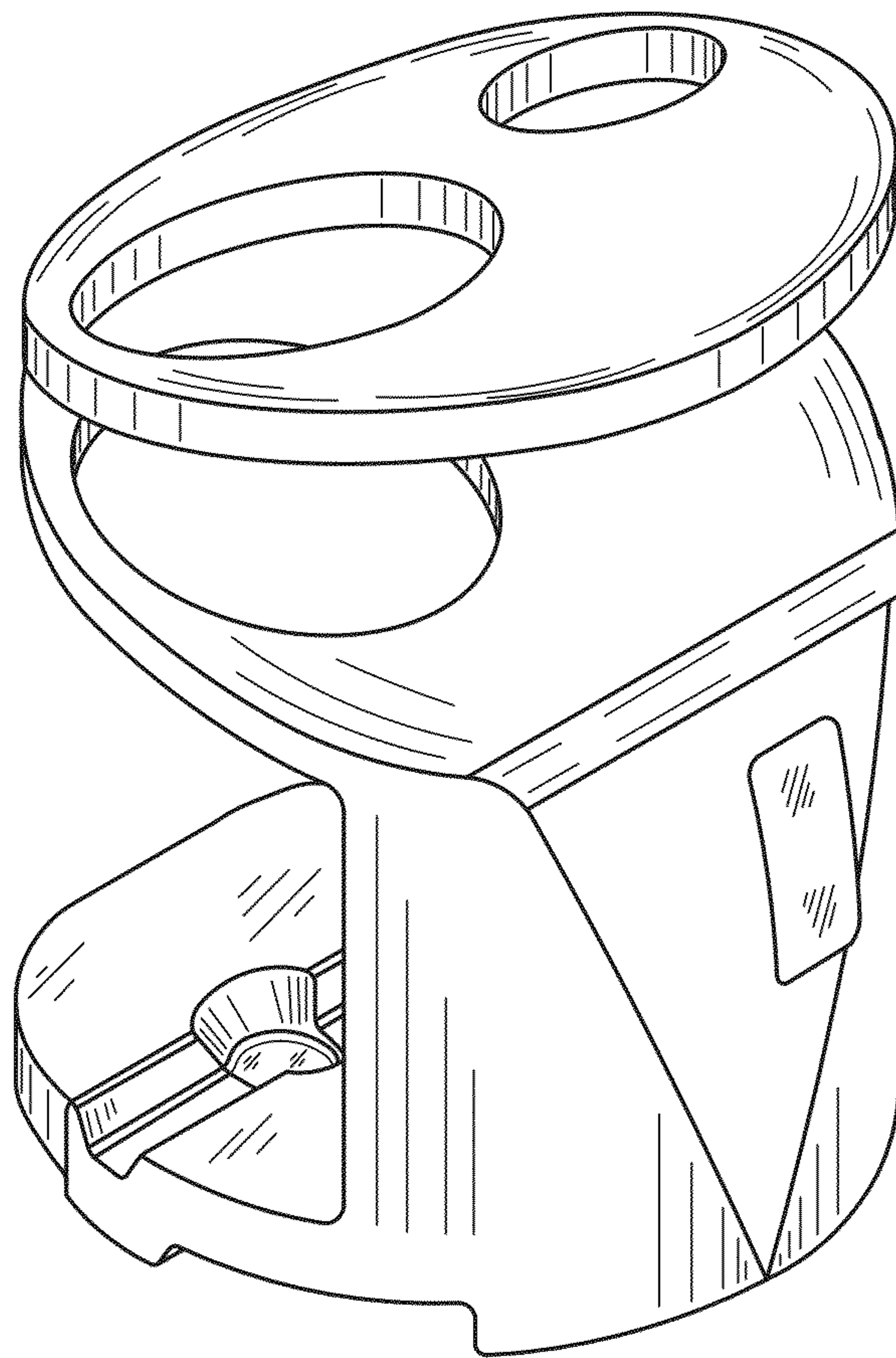


FIG. 1

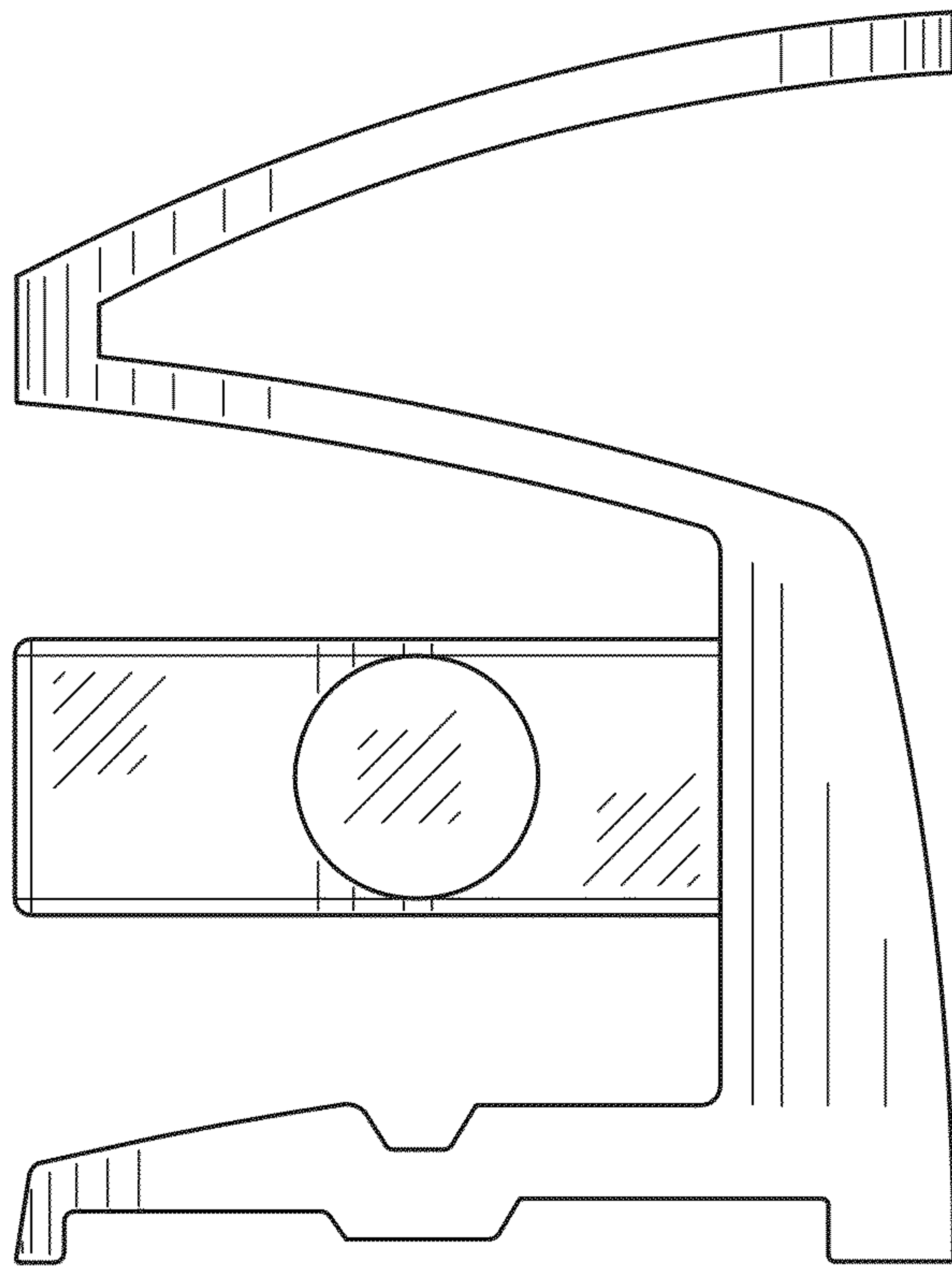


FIG. 2

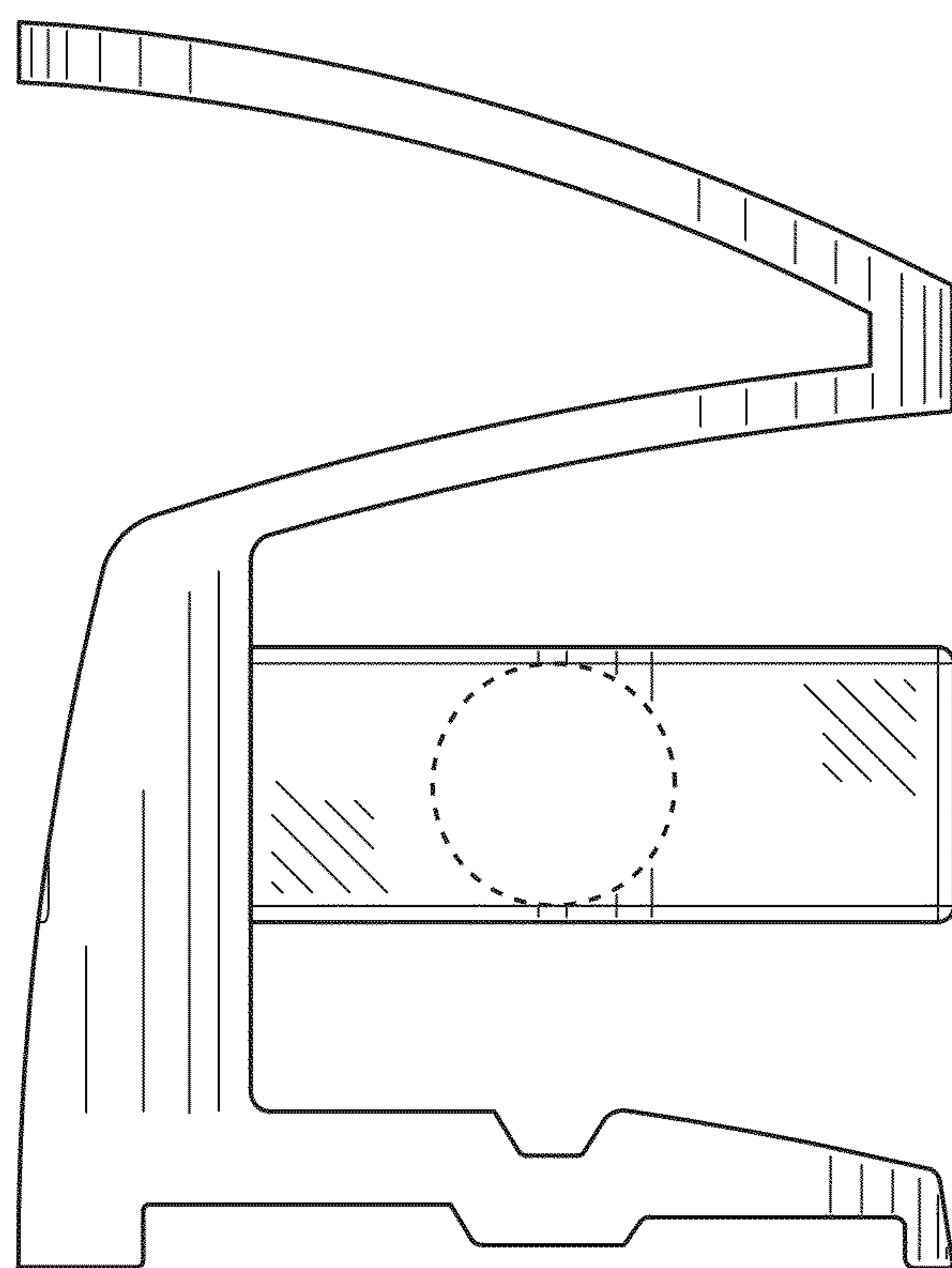


FIG. 3

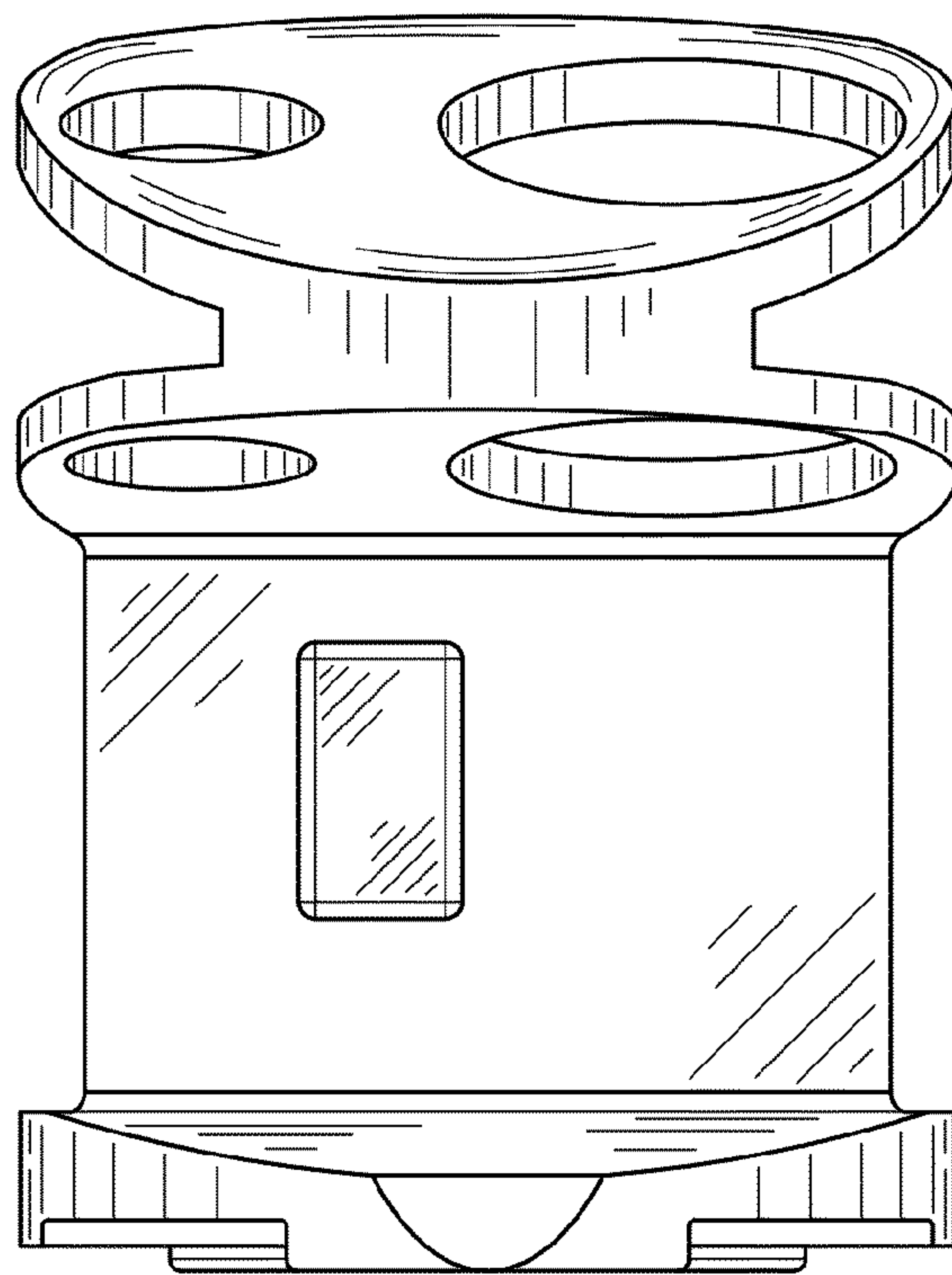


FIG. 4

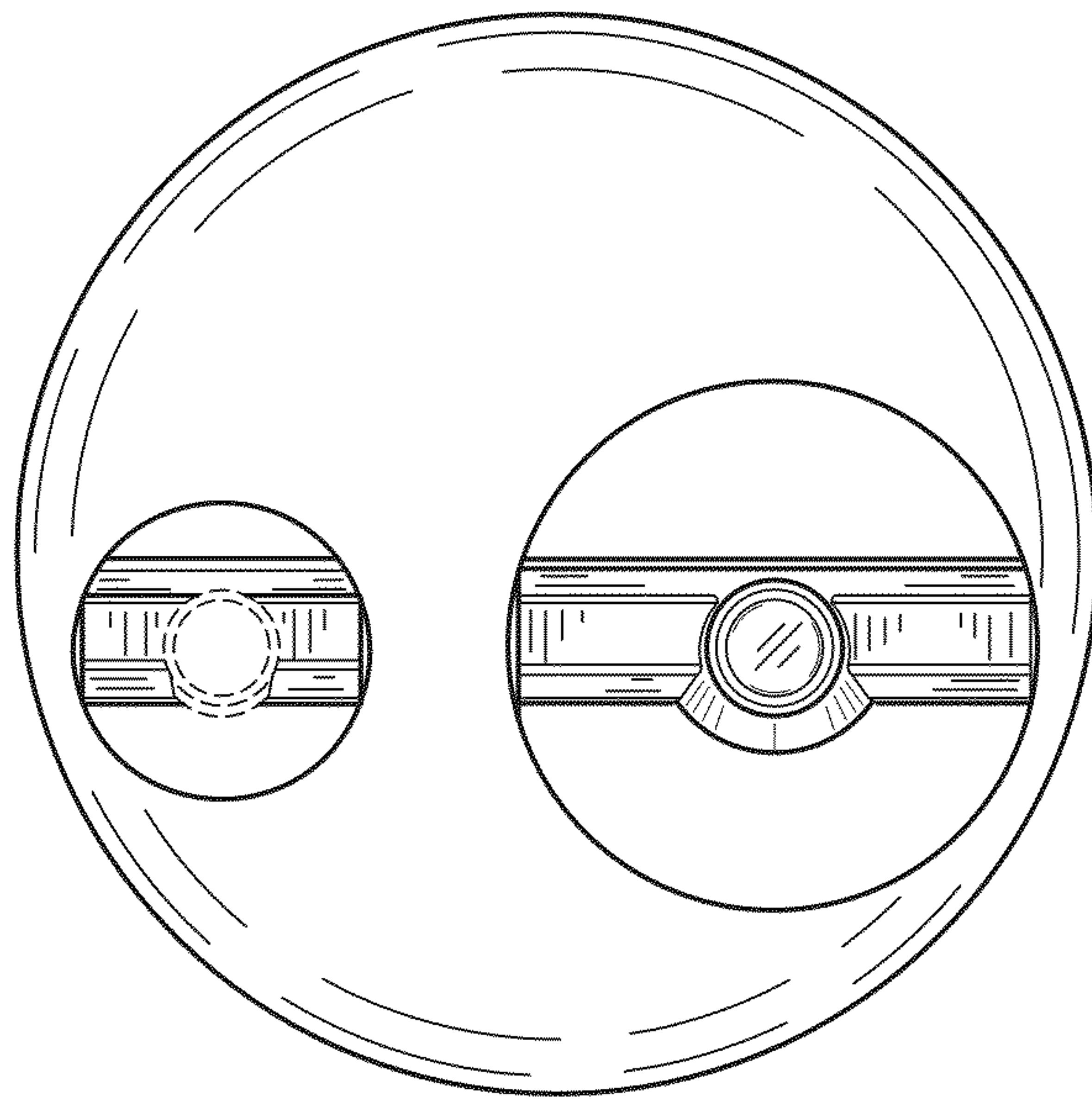


FIG. 5

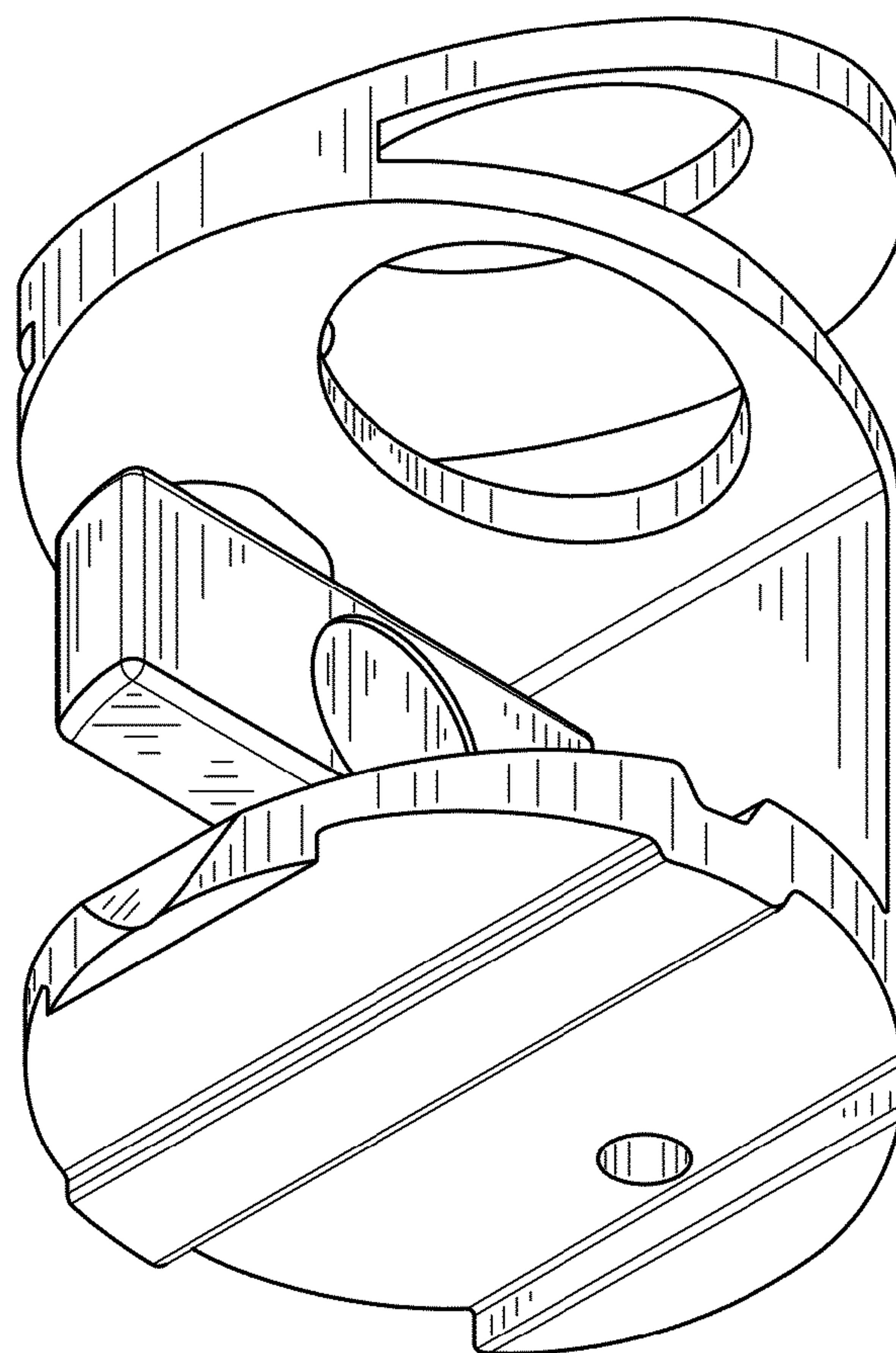


FIG. 6