



US00D709203S

(12) **United States Design Patent**
Shikata

(10) **Patent No.:** **US D709,203 S**
(45) **Date of Patent:** **** Jul. 15, 2014**

(54) **ADAPTER FOR FIXING A MAGNETIC SENSOR**

(75) Inventor: **Hiroyuki Shikata**, Nasushiobara (JP)

(73) Assignees: **Kabushiki Kaisha Toshiba**, Minato-Ku, Tokyo (JP); **Toshiba Medical Systems Corporation**, Otawara-Shi, Tochigi-Ken (JP)

(**) Term: **14 Years**

(21) Appl. No.: **29/430,743**

(22) Filed: **Aug. 29, 2012**

(30) **Foreign Application Priority Data**

Feb. 29, 2012 (JP) 2012-004453

(51) **LOC (10) Cl.** **24-01**

(52) **U.S. Cl.**
USPC **D24/187; D8/349**

(58) **Field of Classification Search**
USPC D8/396, 349, 394; D24/124, 128, 158, D24/143, 133, 107, 187, 127; 310/323.05, 310/323.07, 317; 248/74.4, 73
See application file for complete search history.

(56) **References Cited**

U.S. PATENT DOCUMENTS

D331,189 S *	11/1992	Daigle et al.	D8/396
6,731,047 B2 *	5/2004	Kauf et al.	310/317
D537,334 S *	2/2007	Lee	D8/396
D569,973 S *	5/2008	Oren et al.	D24/133
D574,080 S *	7/2008	Segawa et al.	D24/133
D582,037 S *	12/2008	Poll et al.	D24/143
7,661,631 B2 *	2/2010	Ibaraki	248/73
D699,359 S *	2/2014	Lindekugel et al.	D24/186

FOREIGN PATENT DOCUMENTS

JP	1267593	4/2006
JP	1299868	5/2007
JP	1426365	10/2011

* cited by examiner

Primary Examiner — Deanna L Pratt
Assistant Examiner — Harold Blackwell, II
(74) *Attorney, Agent, or Firm* — Banner & Witcoff, Ltd.

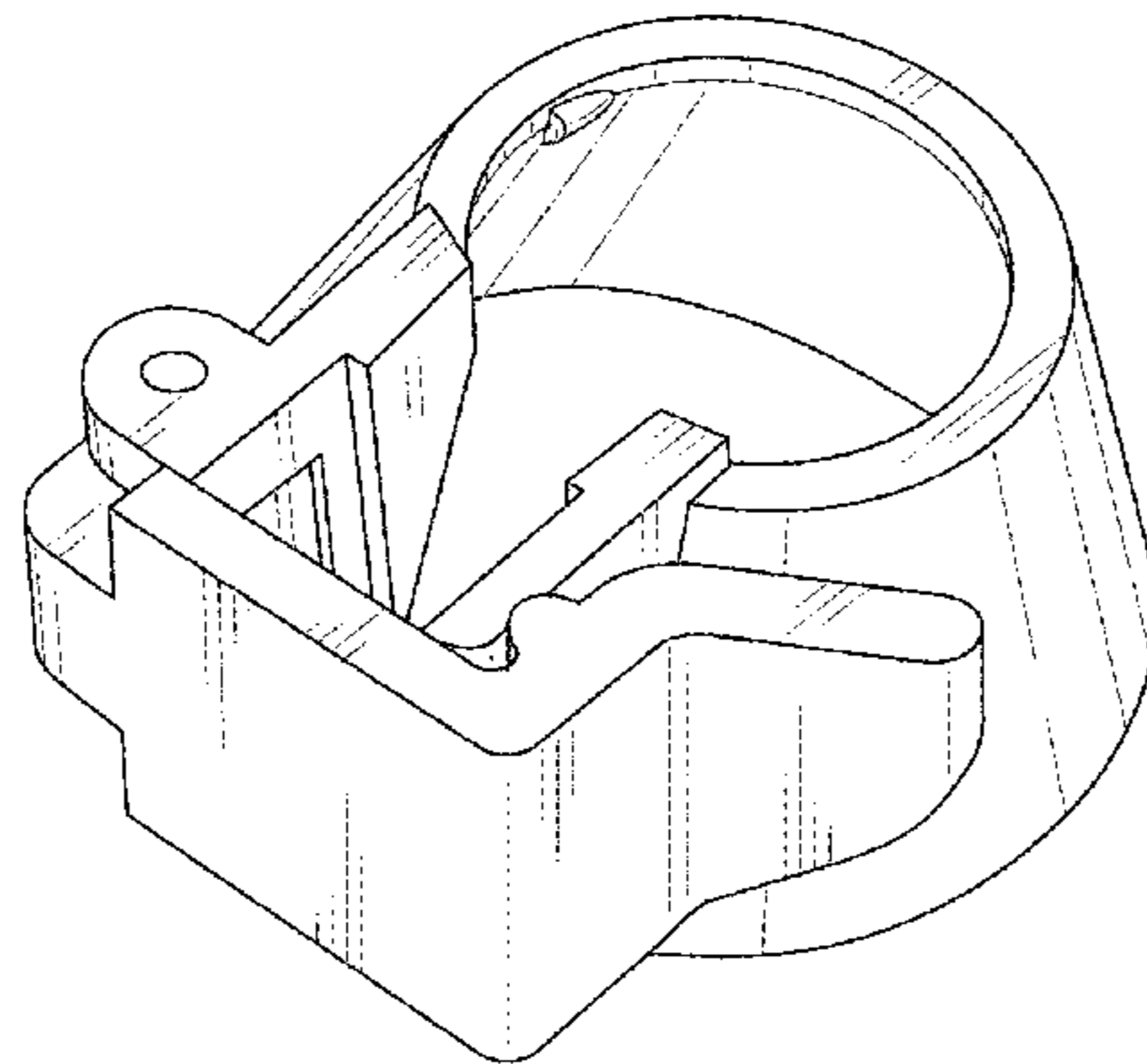
(57) **CLAIM**

The ornamental design for an adapter for fixing a magnetic sensor, as shown and described.

DESCRIPTION

FIG. 1 is a top perspective view of an adapter for fixing a magnetic sensor, showing my new design; FIG. 2 is a bottom perspective view thereof; FIG. 3 is a front elevational view thereof; FIG. 4 is a left side elevational view thereof; FIG. 5 is a right side elevational view thereof; FIG. 6 is a top plan view thereof; FIG. 7 is a rear elevational view thereof; FIG. 8 is a bottom plan view thereof; FIG. 9 is a perspective view thereof with a lock opened; FIG. 10 is a front elevational view thereof with a lock opened; FIG. 11 is a left side elevational view thereof with a lock opened; FIG. 12 is a top plan view thereof with a lock opened; FIG. 13 is an enlarged cross-sectional view thereof, taken along the line 13-13 in FIG. 6; FIG. 14 is an enlarged cross-sectional view thereof, taken along the line 14-14 in FIG. 3; and, FIG. 15 is an enlarged cross-sectional view thereof, taken along the line 15-15 in FIG. 3. The broken line showing in FIGS. 13, 14, and 15 of the interior surfaces of the adapter for fixing a magnetic sensor illustrate portions of the adapter for fixing a magnetic sensor which form no part of the claimed design.

1 Claim, 10 Drawing Sheets



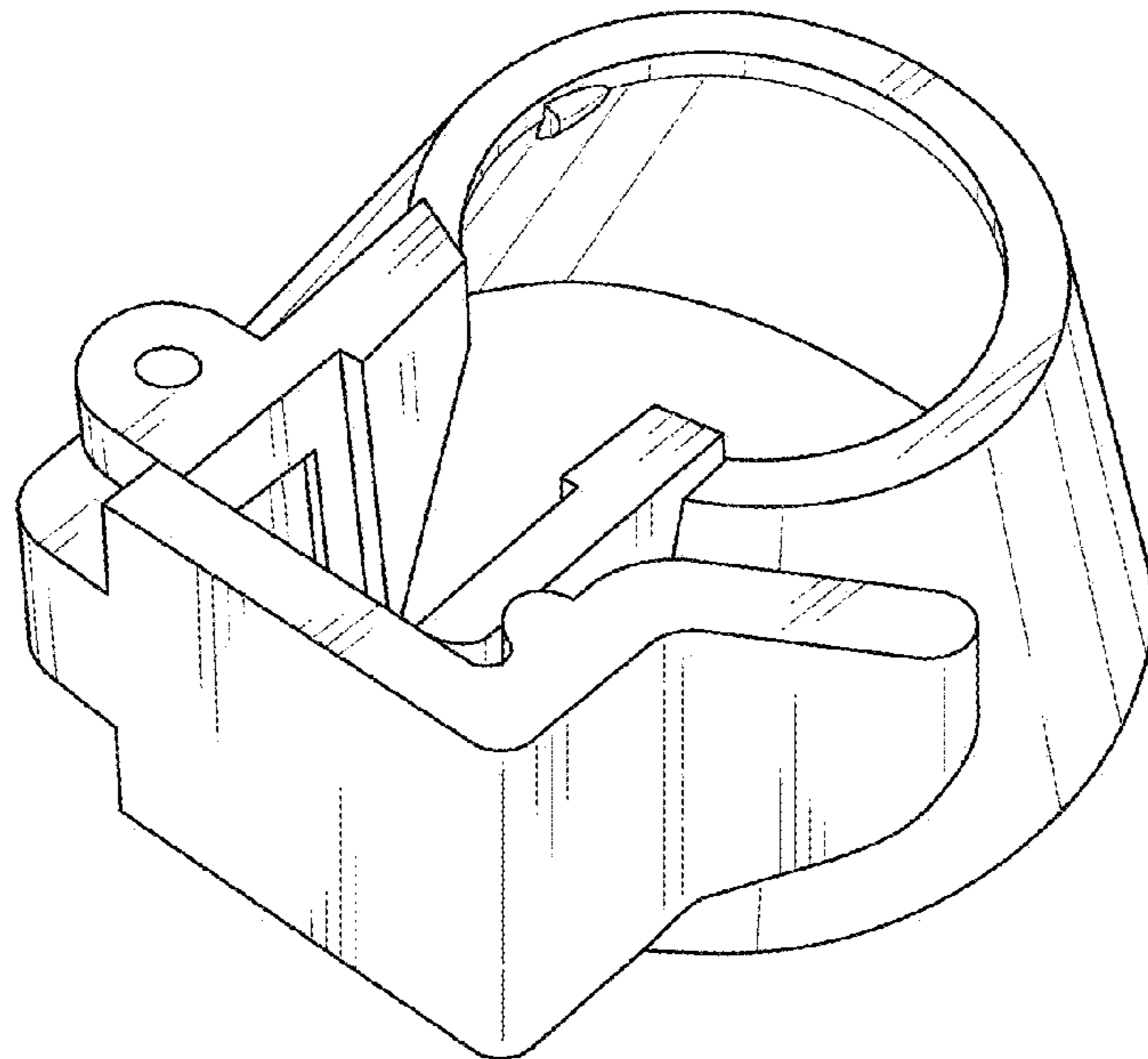


FIG. 1

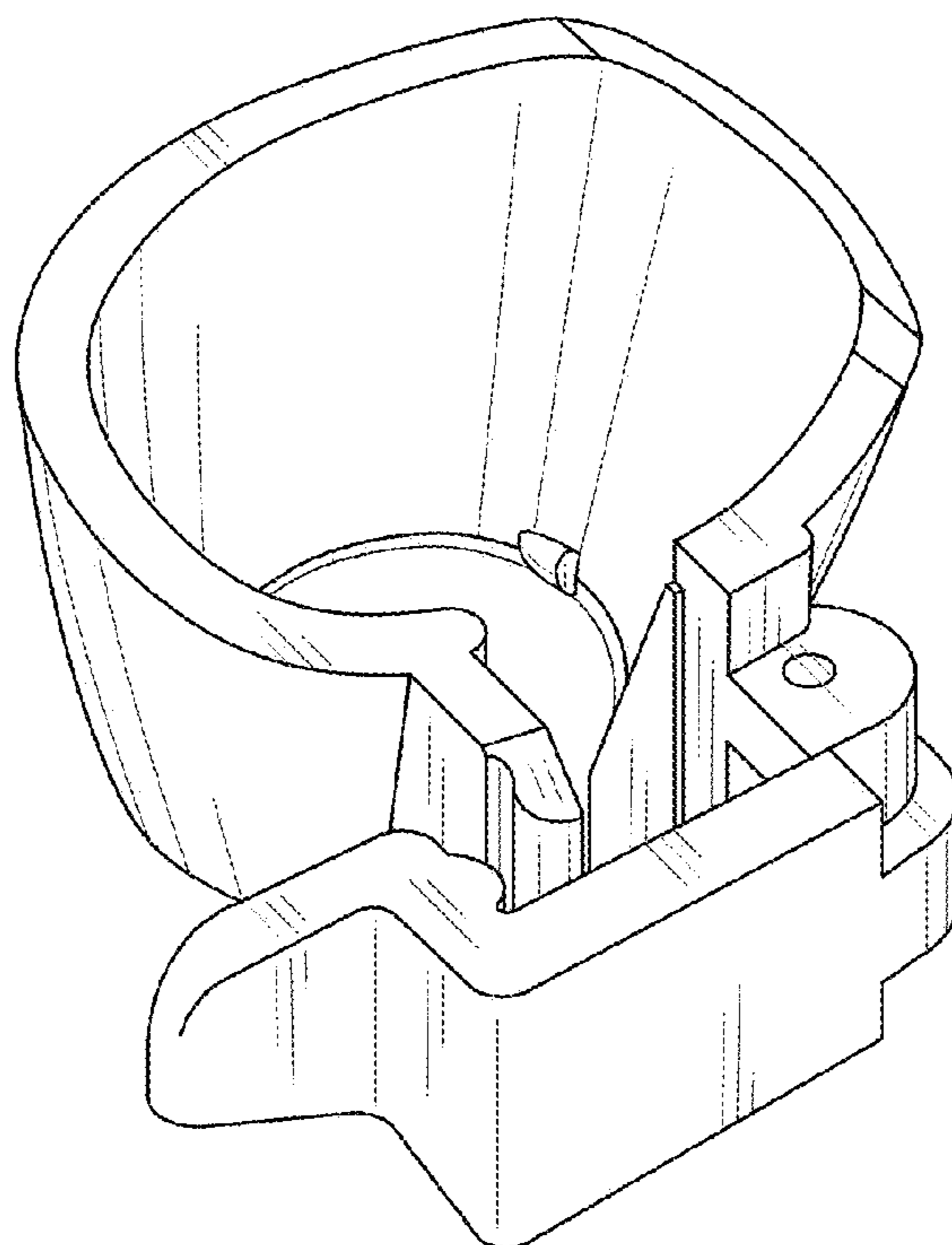


FIG. 2

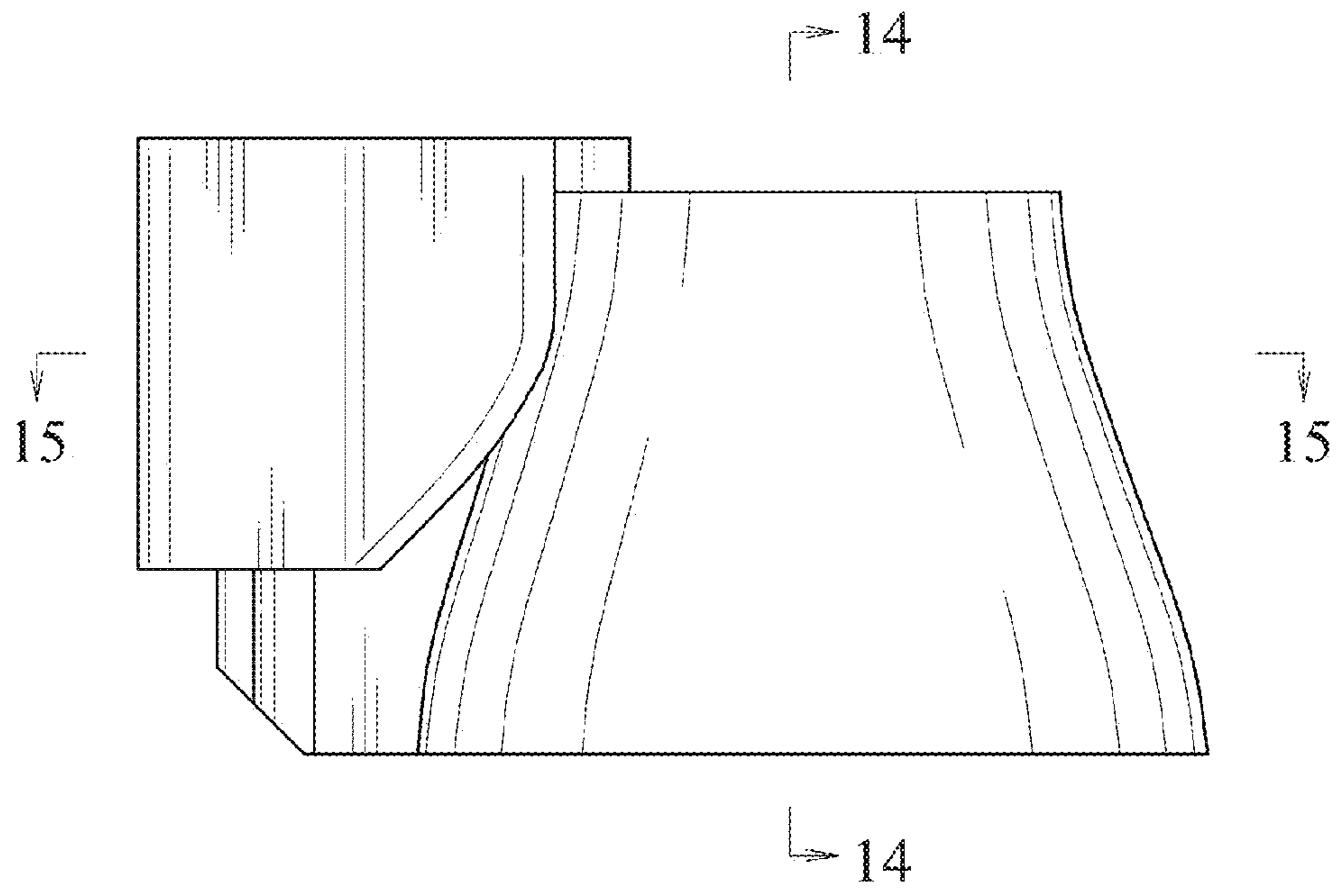


FIG. 3

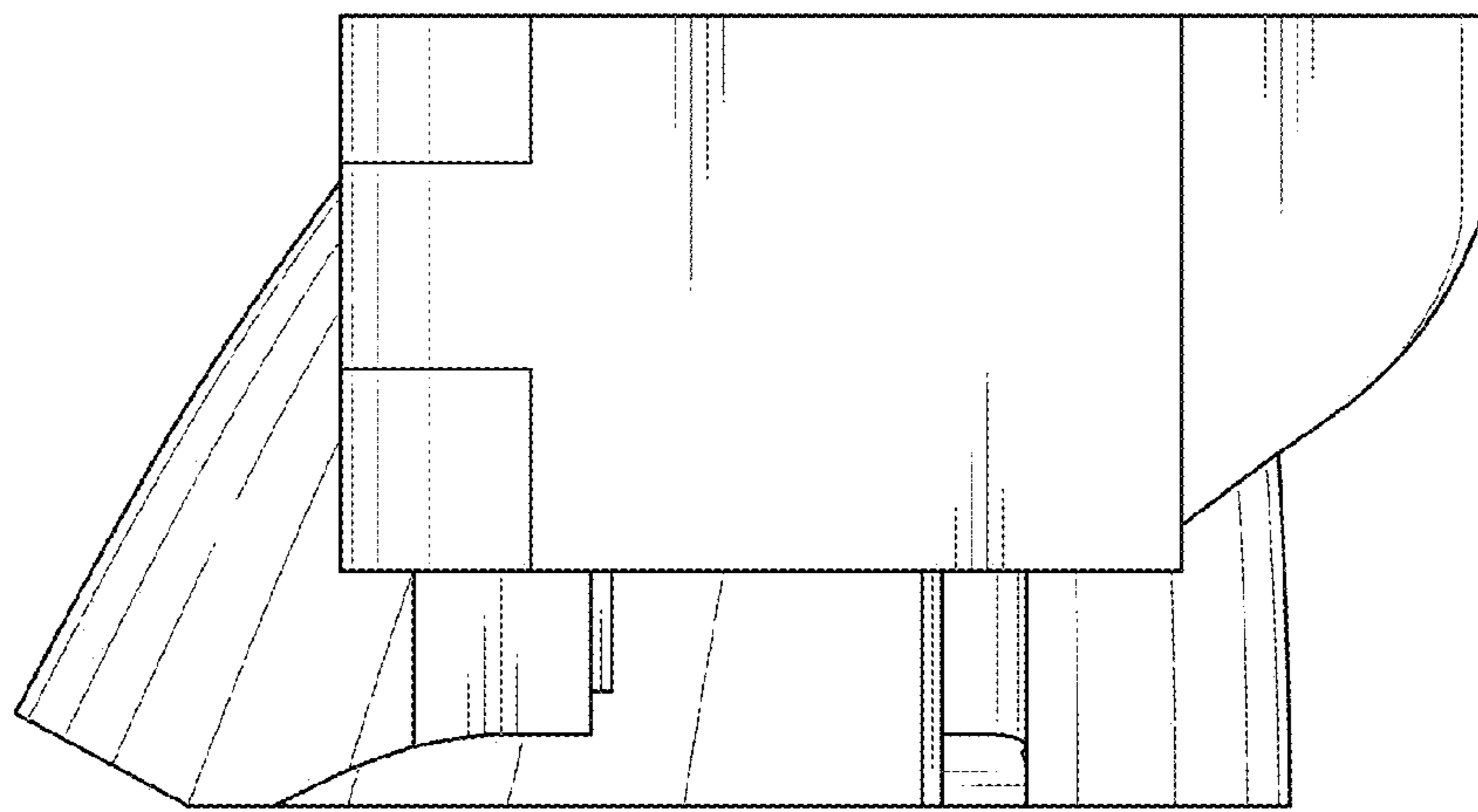


FIG. 4

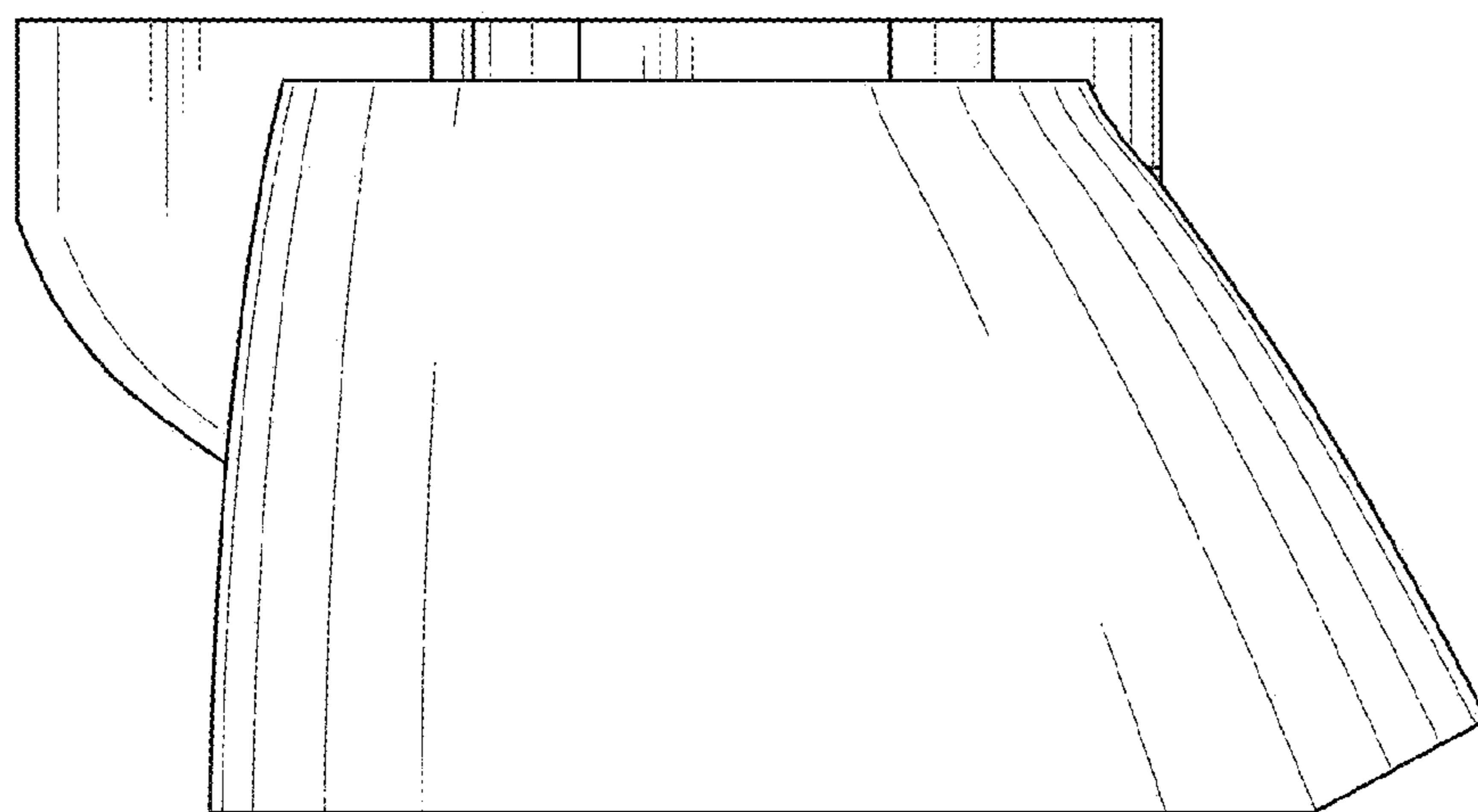


FIG. 5

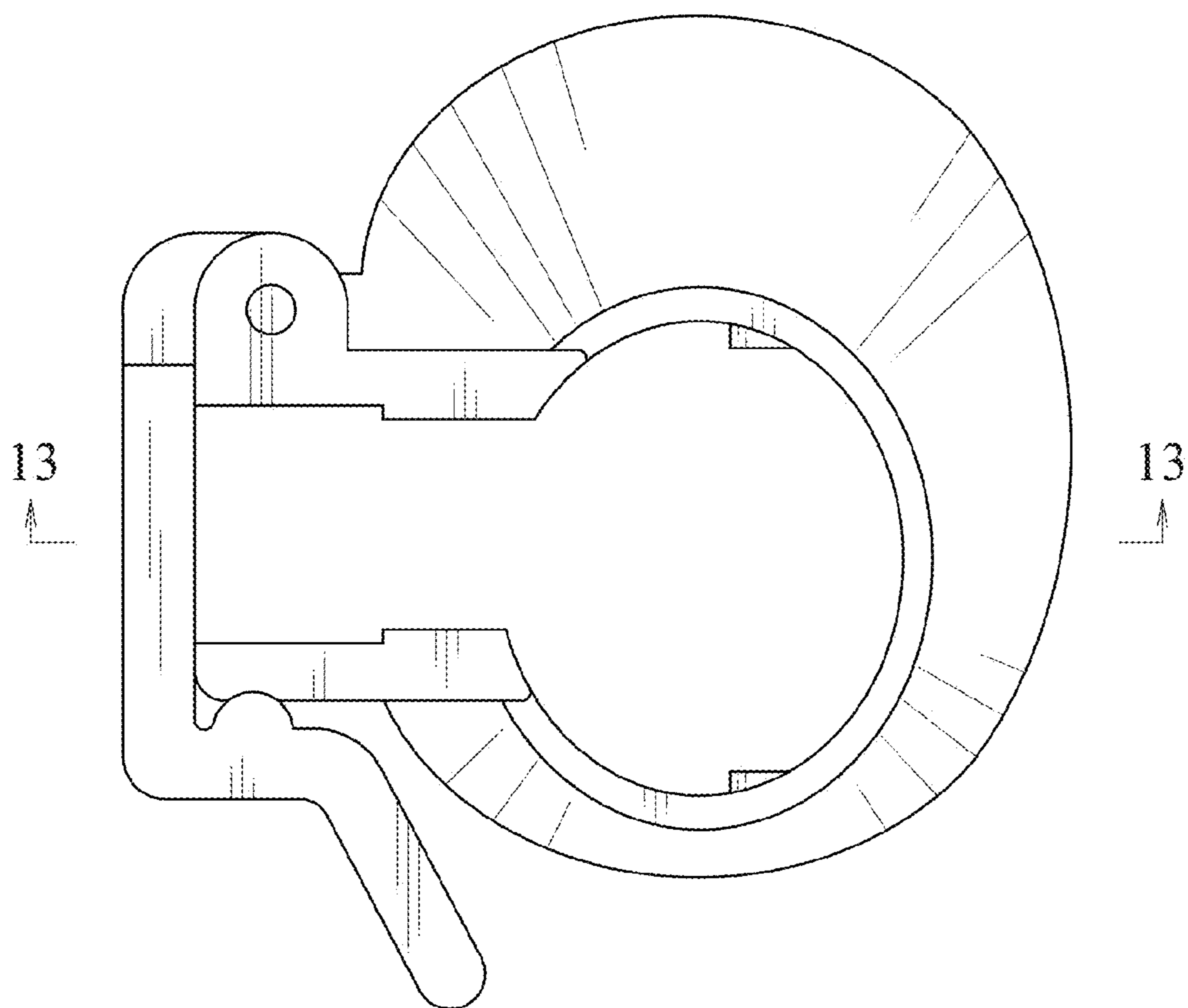


FIG. 6

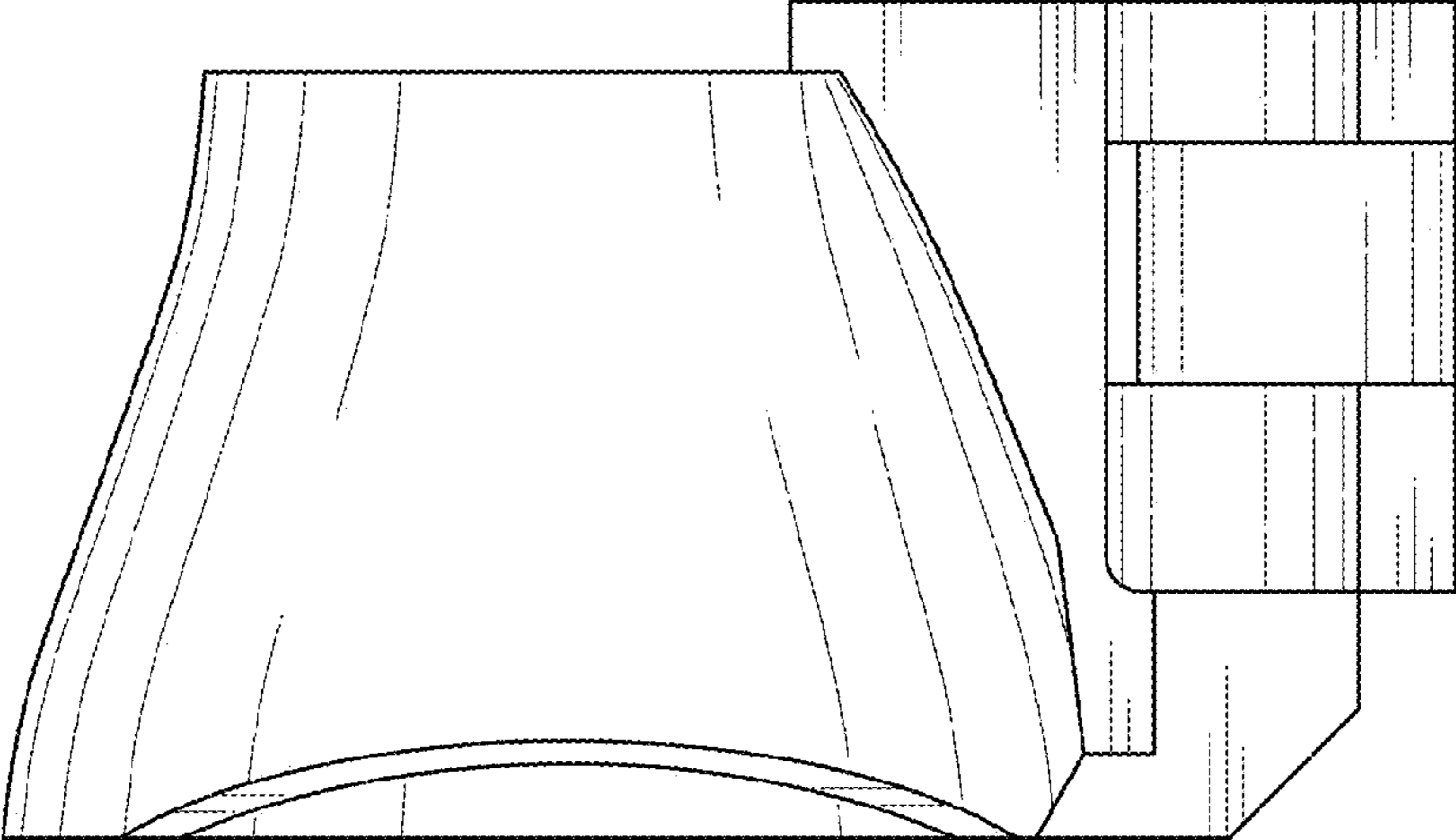


FIG. 7

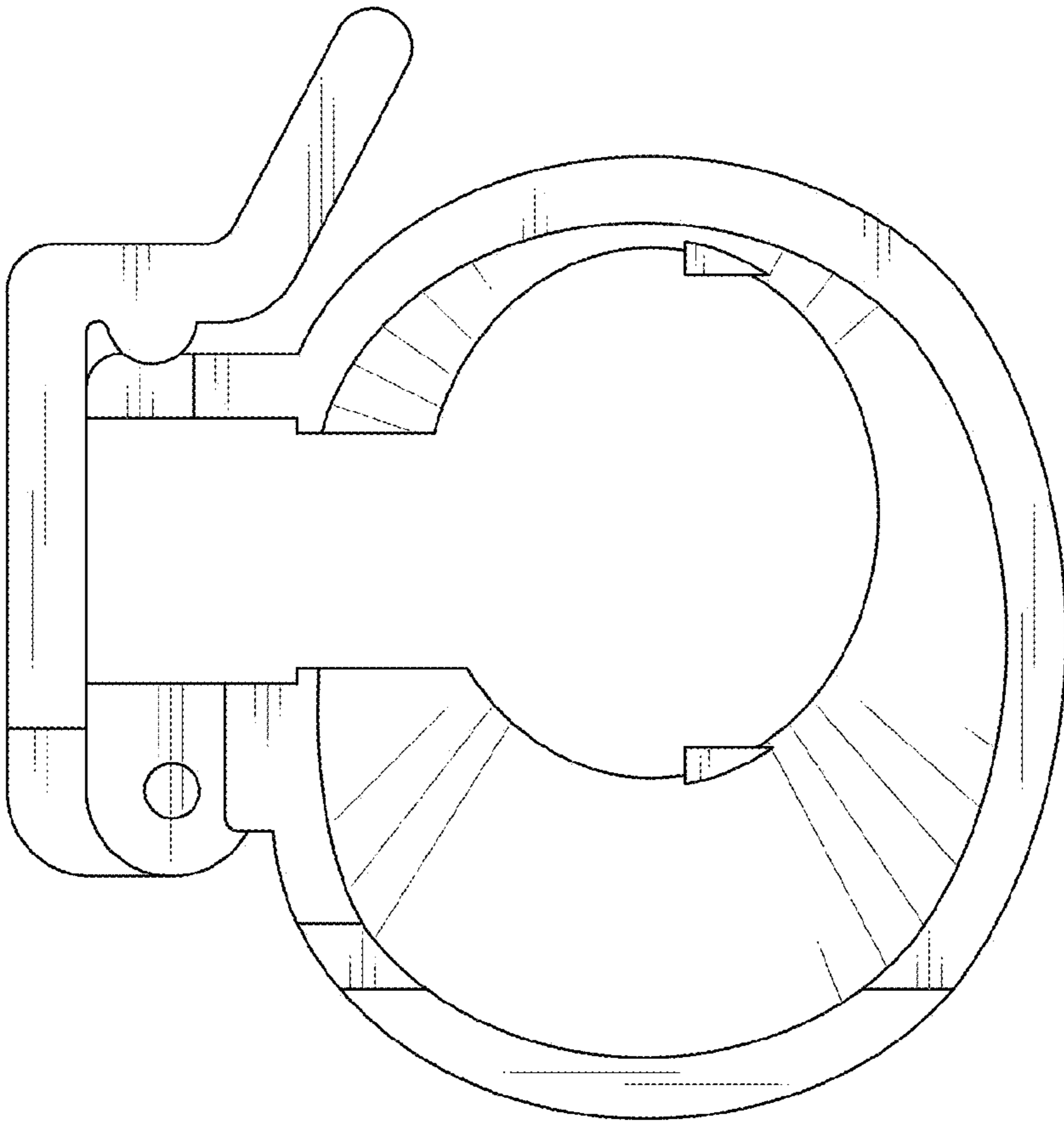


FIG. 8

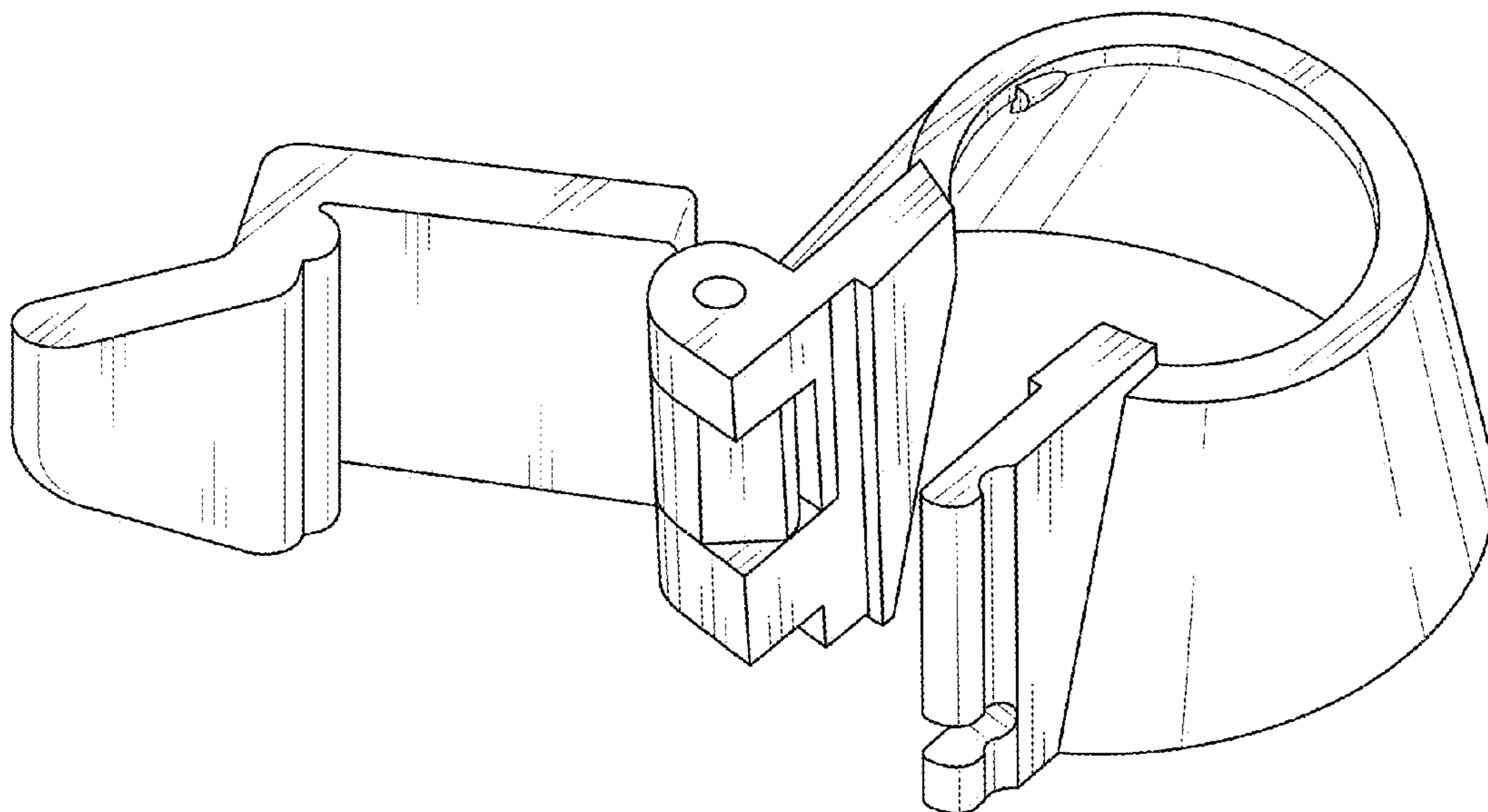


FIG. 9

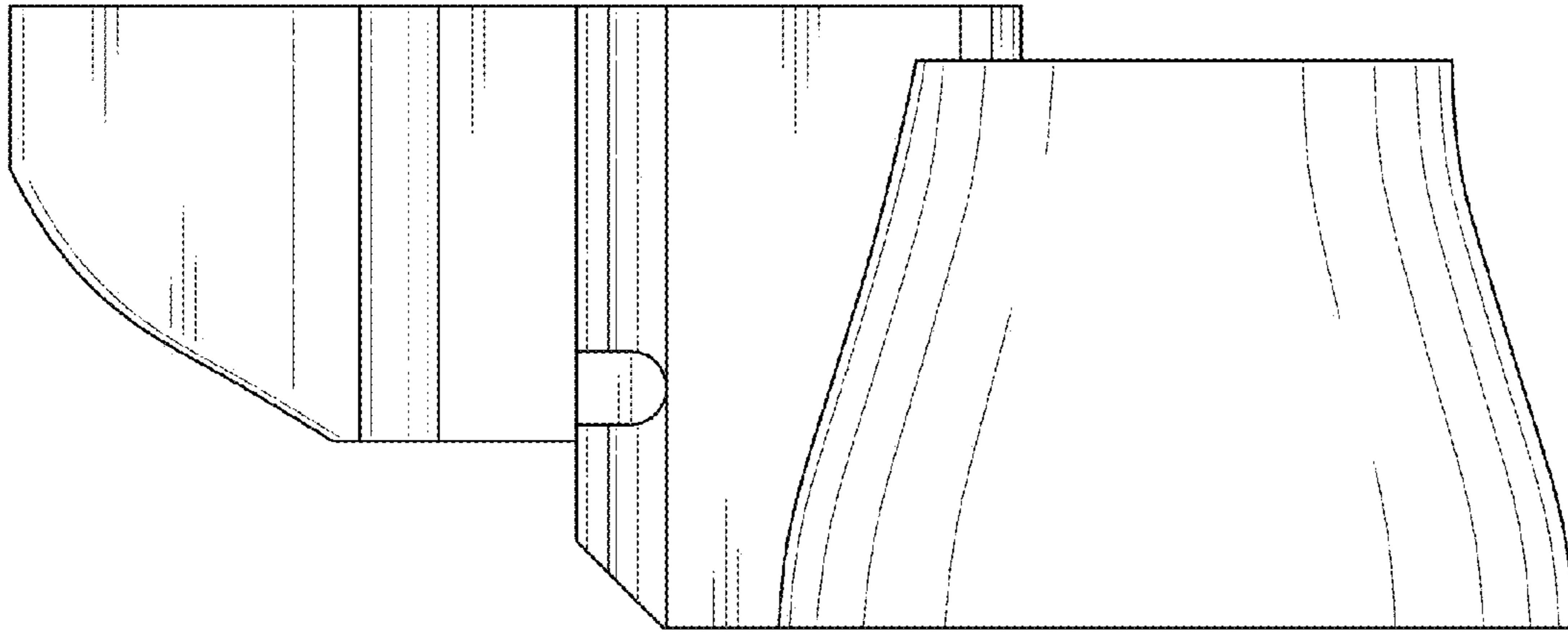


FIG. 10

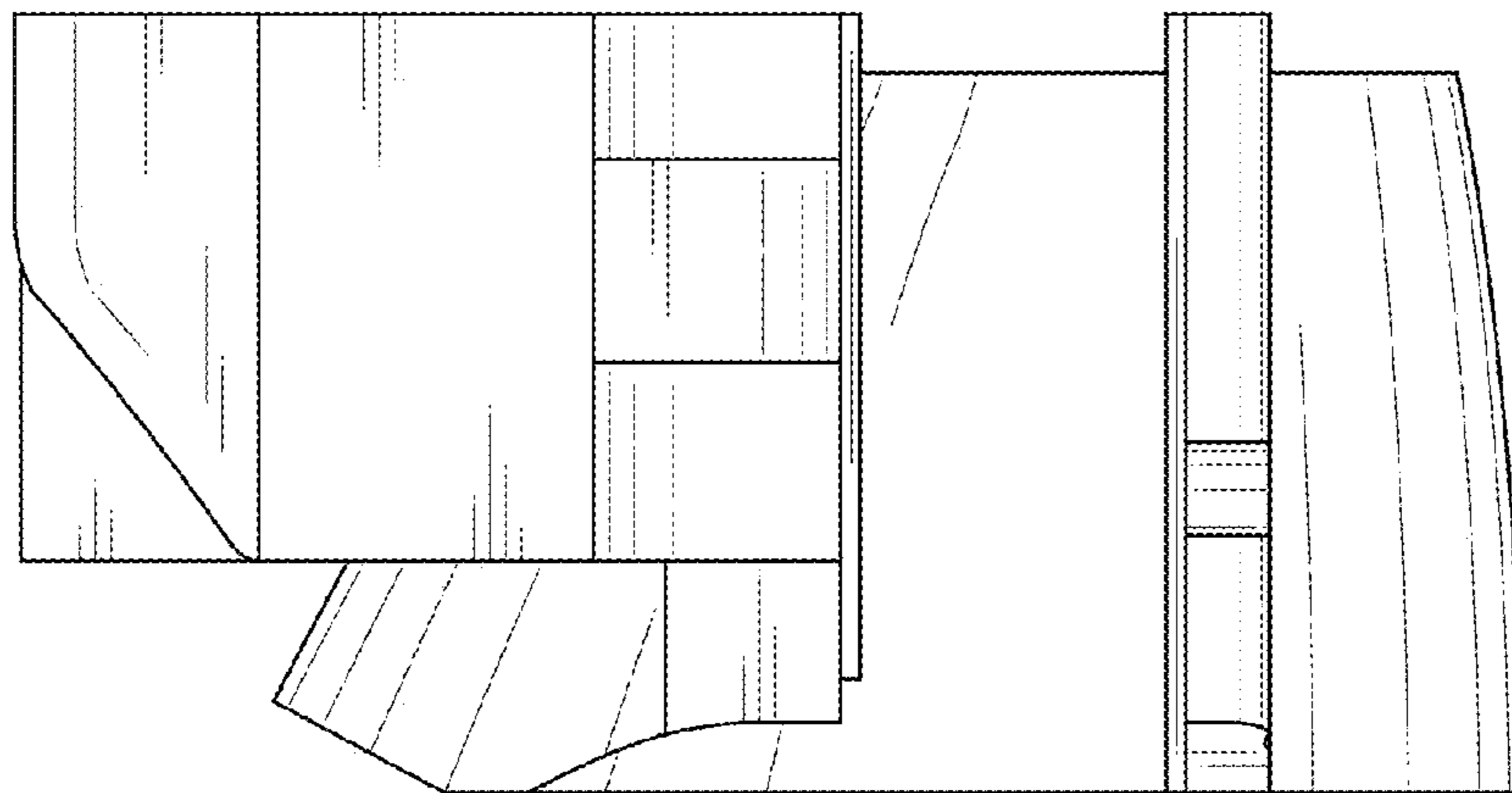


FIG. 11

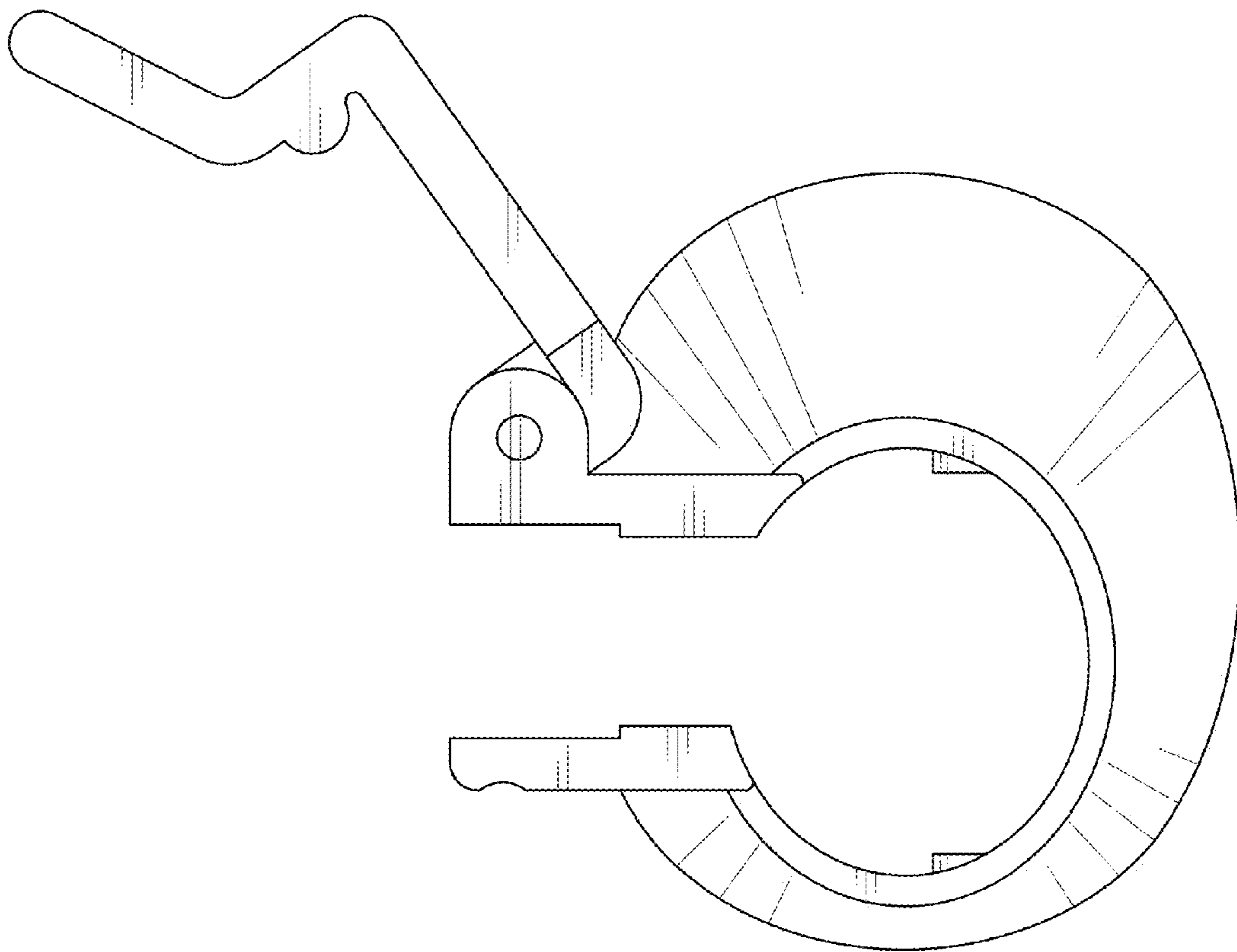


FIG. 12

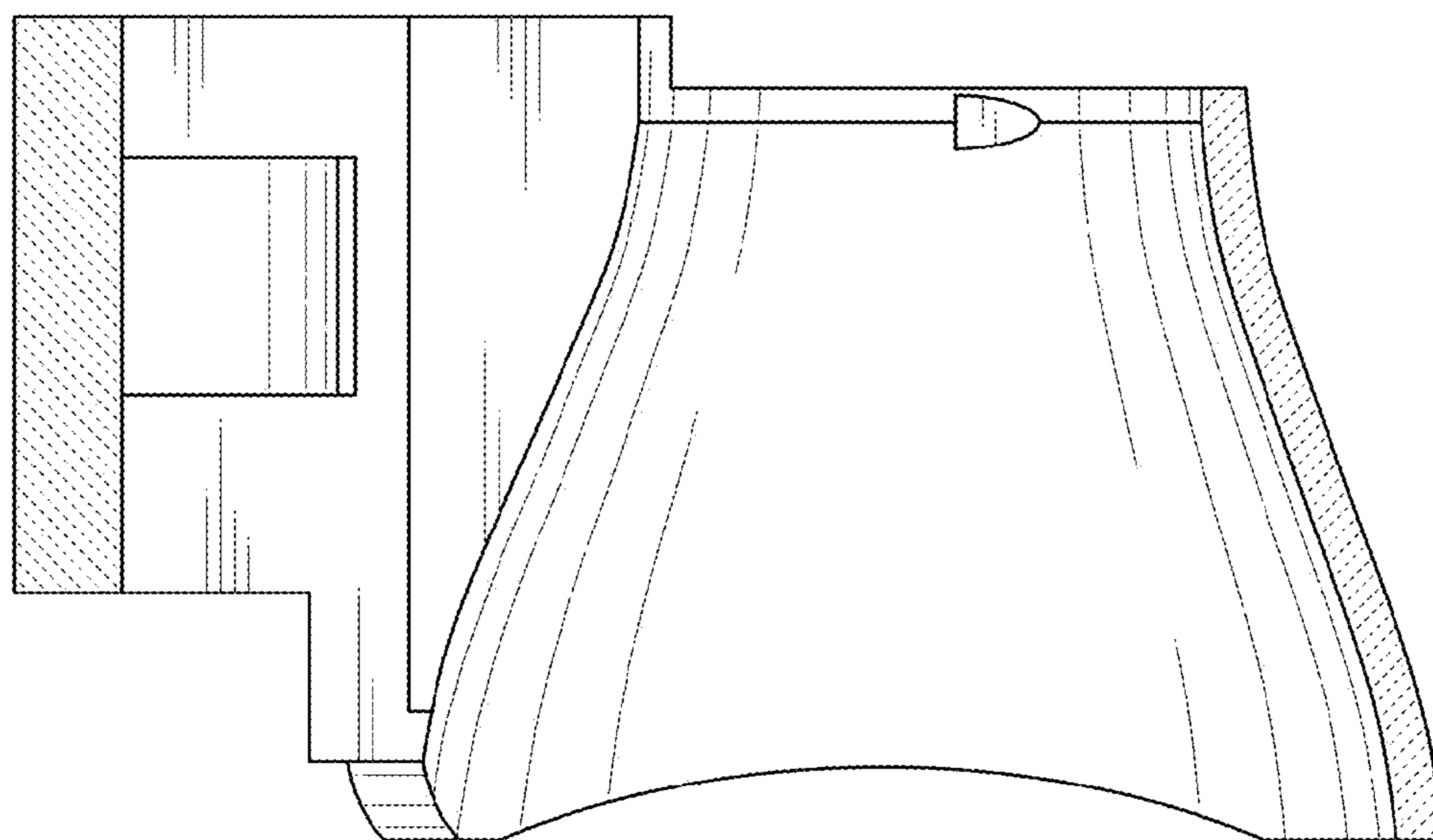


FIG. 13

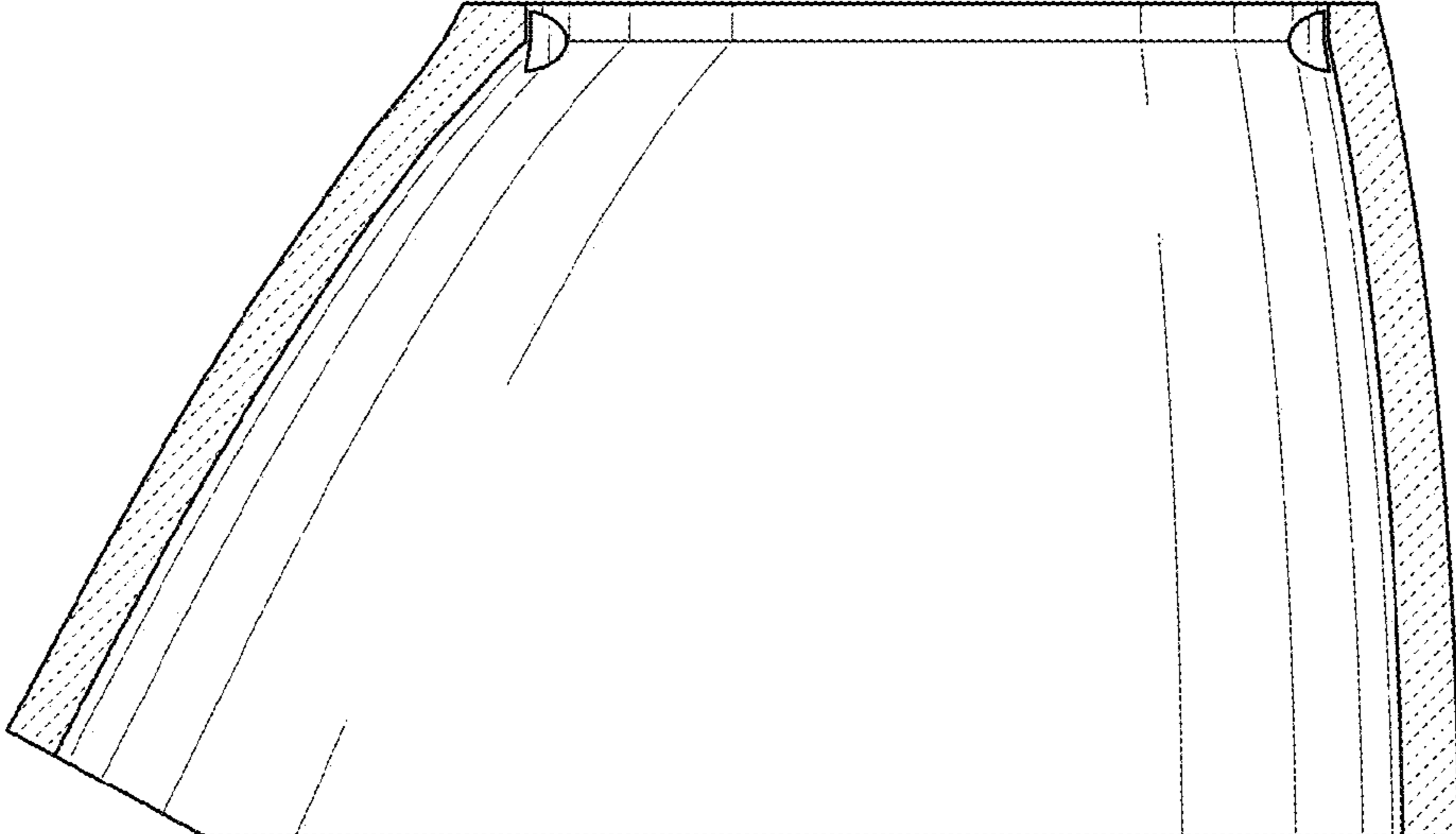


FIG. 14

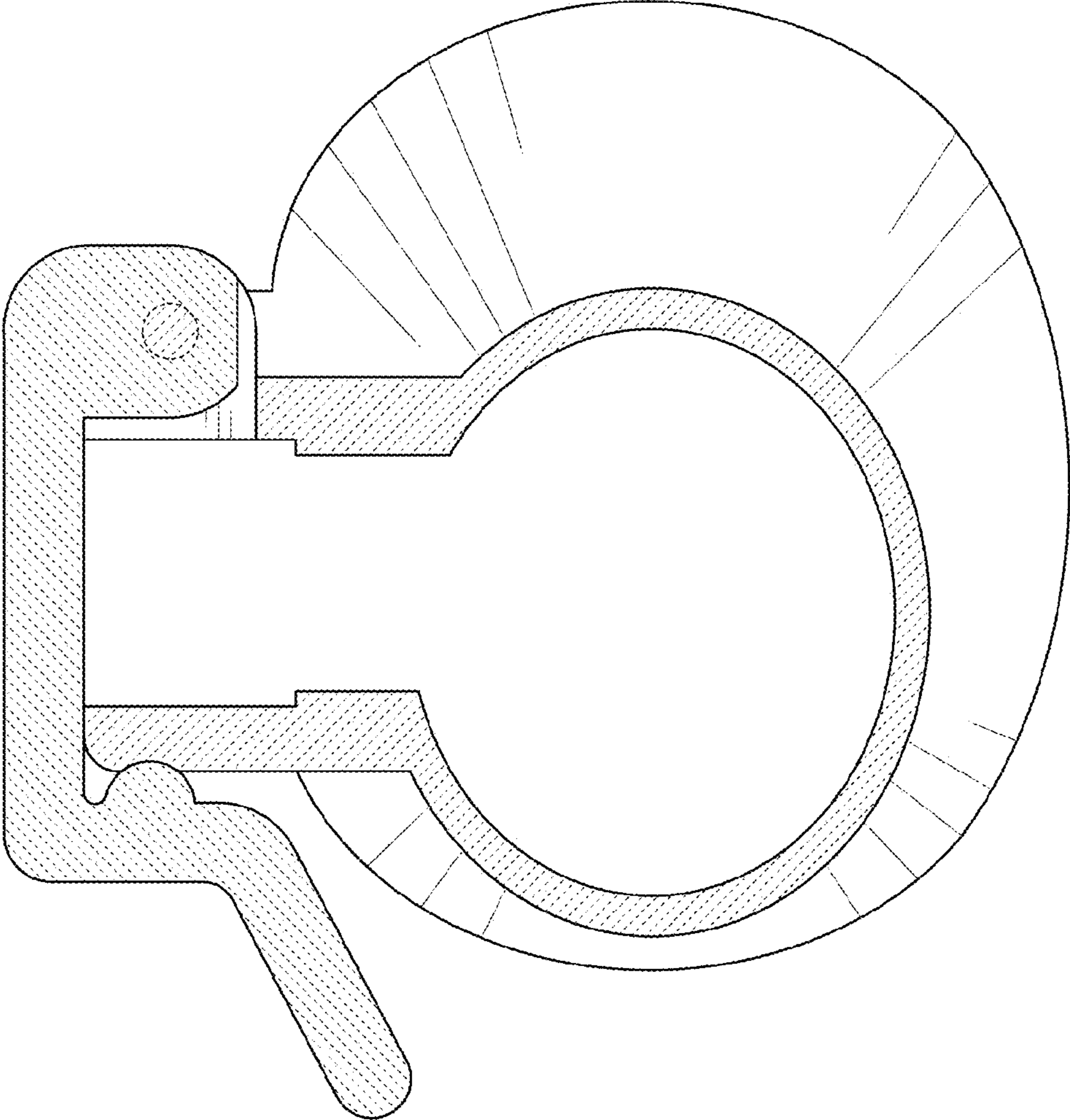


FIG. 15