



US00D709202S

(12) **United States Design Patent**
Lamoureux

(10) **Patent No.:** **US D709,202 S**
(45) **Date of Patent:** **** Jul. 15, 2014**

(54) **MEDICAL AND DENTAL APPARATUS**

(76) Inventor: **Bruno Lamoureux**, Paris (FR)

(**) Term: **14 Years**

(21) Appl. No.: **29/398,299**

(22) Filed: **Jul. 28, 2011**

(51) **LOC (10) Cl.** **24-00**

(52) **U.S. Cl.**
USPC **D24/185**

(58) **Field of Classification Search**
USPC D24/130, 143, 150, 164, 170, 171, 172,
D24/183, 185, 186, 188, 190, 221, 234;
351/206, 224, 226

See application file for complete search history.

(56) **References Cited**

U.S. PATENT DOCUMENTS

D159,332 S *	7/1950	Goode	D24/170
D325,086 S *	3/1992	Charles et al.	D24/172
D410,544 S *	6/1999	Metzler et al.	D24/172
D447,567 S *	9/2001	Murphy et al.	D24/172

* cited by examiner

Primary Examiner — Caron D Veynar

Assistant Examiner — Rhea Shields

(74) *Attorney, Agent, or Firm* — Wells St. John P.S.

(57) **CLAIM**

I claim the ornamental design for a medical and dental apparatus, as shown and described.

DESCRIPTION

FIG. 1 is an isometric view of a medical and dental apparatus with the upper instrument holding means thereof in the retracted position.

FIG. 2 is a front view of the medical and dental apparatus with the upper instrument holding means thereof in the retracted position.

FIG. 3 is a top view of the medical and dental apparatus with the upper instrument holding means thereof in the retracted position.

FIG. 4 is a right side view of the medical and dental apparatus with the upper instrument holding means thereof in the retracted position.

FIG. 5 is a left side view of the medical and dental apparatus with the upper instrument holding means thereof in the retracted position.

FIG. 6 is a rear view of the medical and dental apparatus with the upper instrument holding means thereof in the retracted position.

FIG. 7 is an isometric view of the medical and dental apparatus with the upper instrument holding means thereof in an extended position.

FIG. 8 is a front view of the medical and dental apparatus with the upper instrument holding means thereof in the extended position.

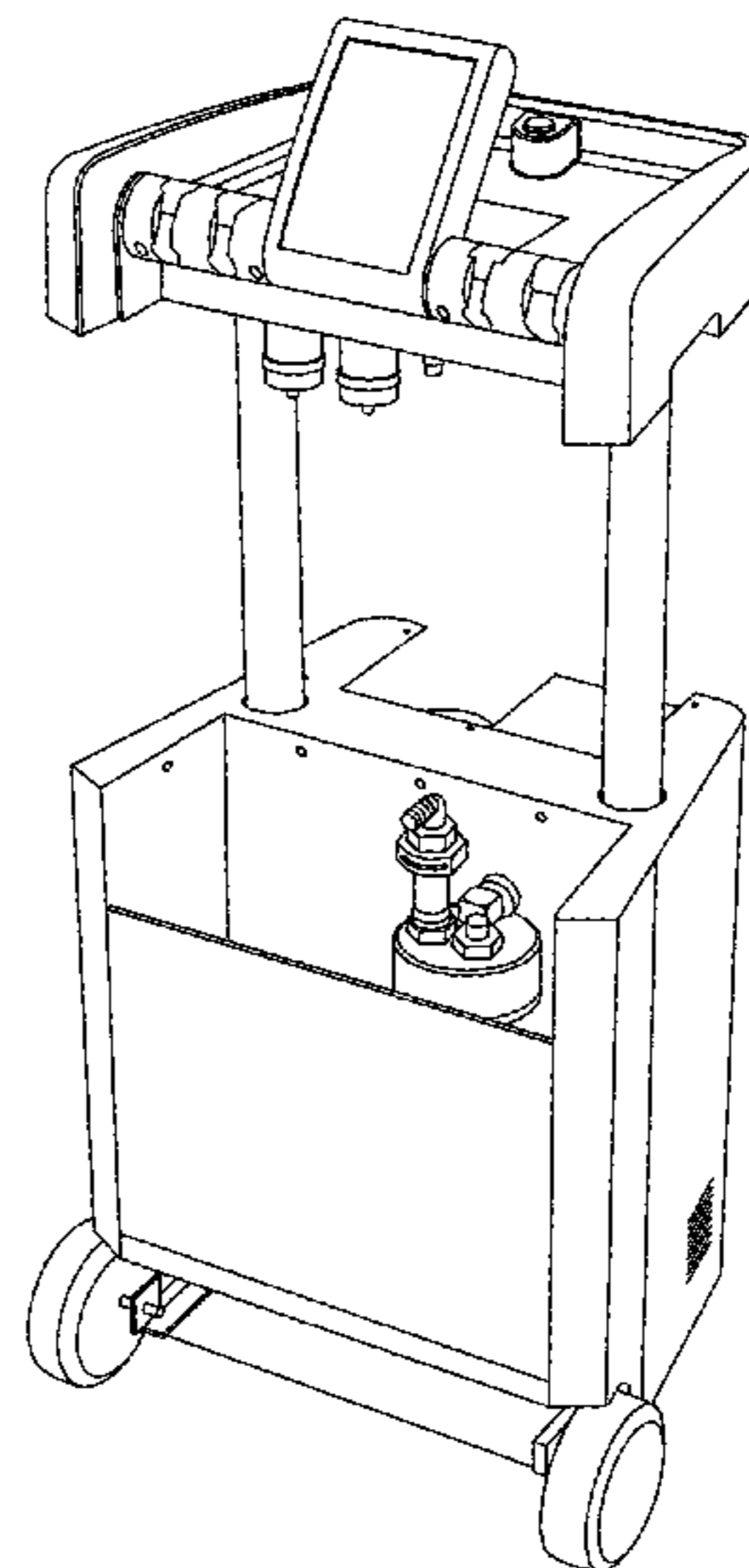
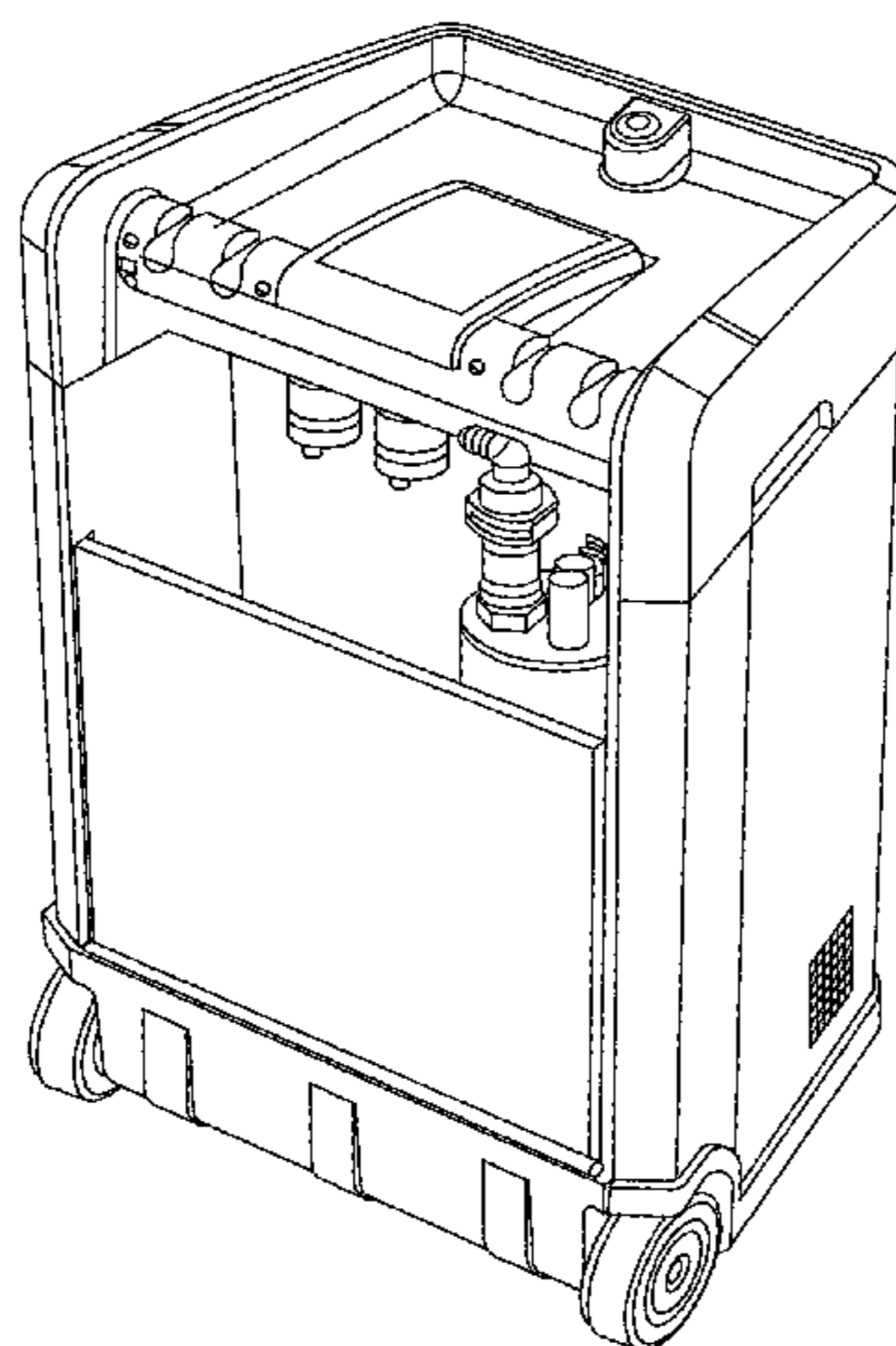
FIG. 9 is a top view of the medical and dental apparatus with the upper instrument holding means thereof in the extended position.

FIG. 10 is a right side view of the medical and dental apparatus with the upper instrument holding means thereof in the extended position.

FIG. 11 is a left side view of the medical and dental apparatus with the upper instrument holding means thereof in the extended position; and,

FIG. 12 is a rear view of the medical and dental apparatus with the upper instrument holding means thereof in the extended position.

1 Claim, 12 Drawing Sheets



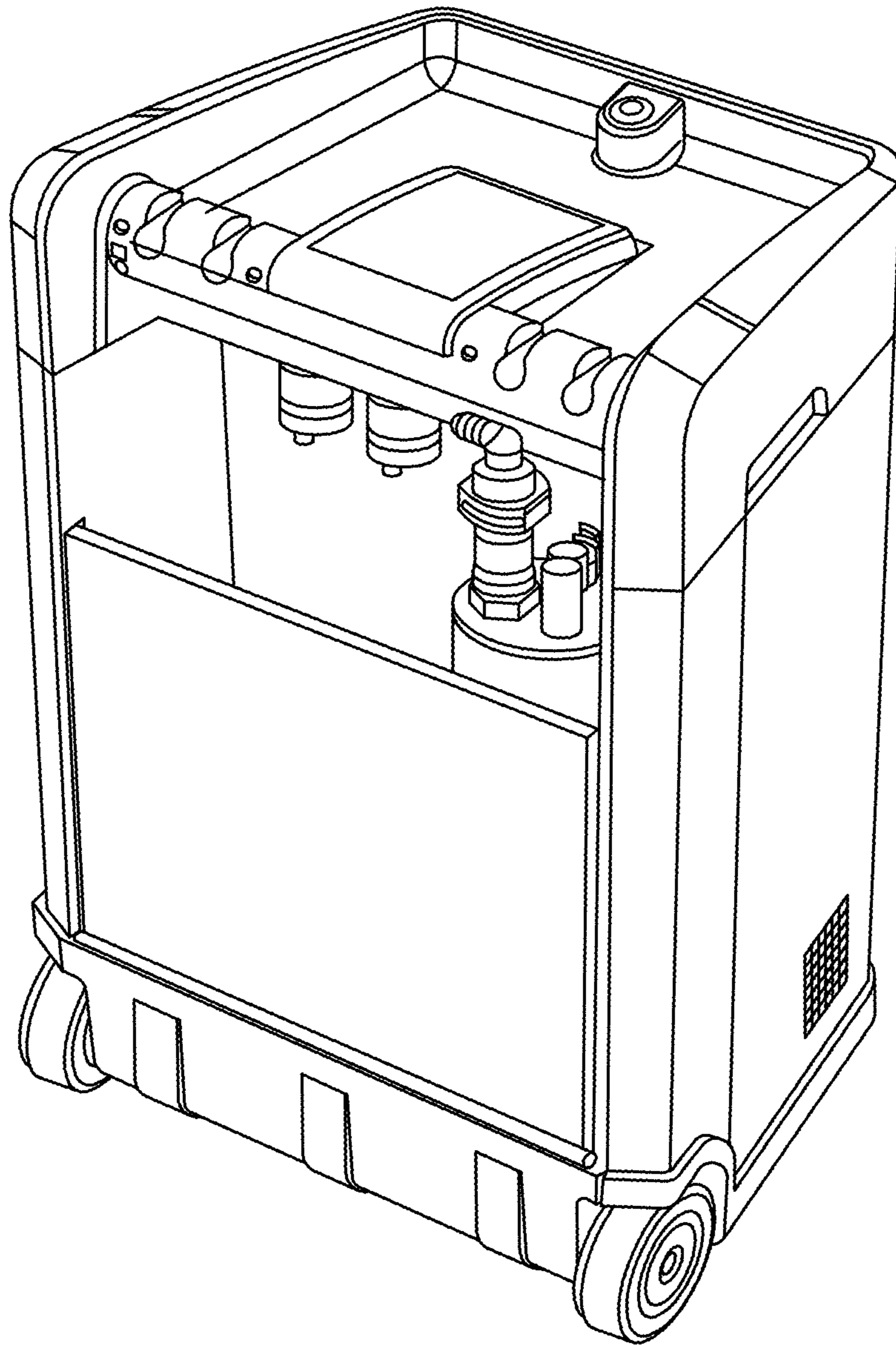


FIG. 1

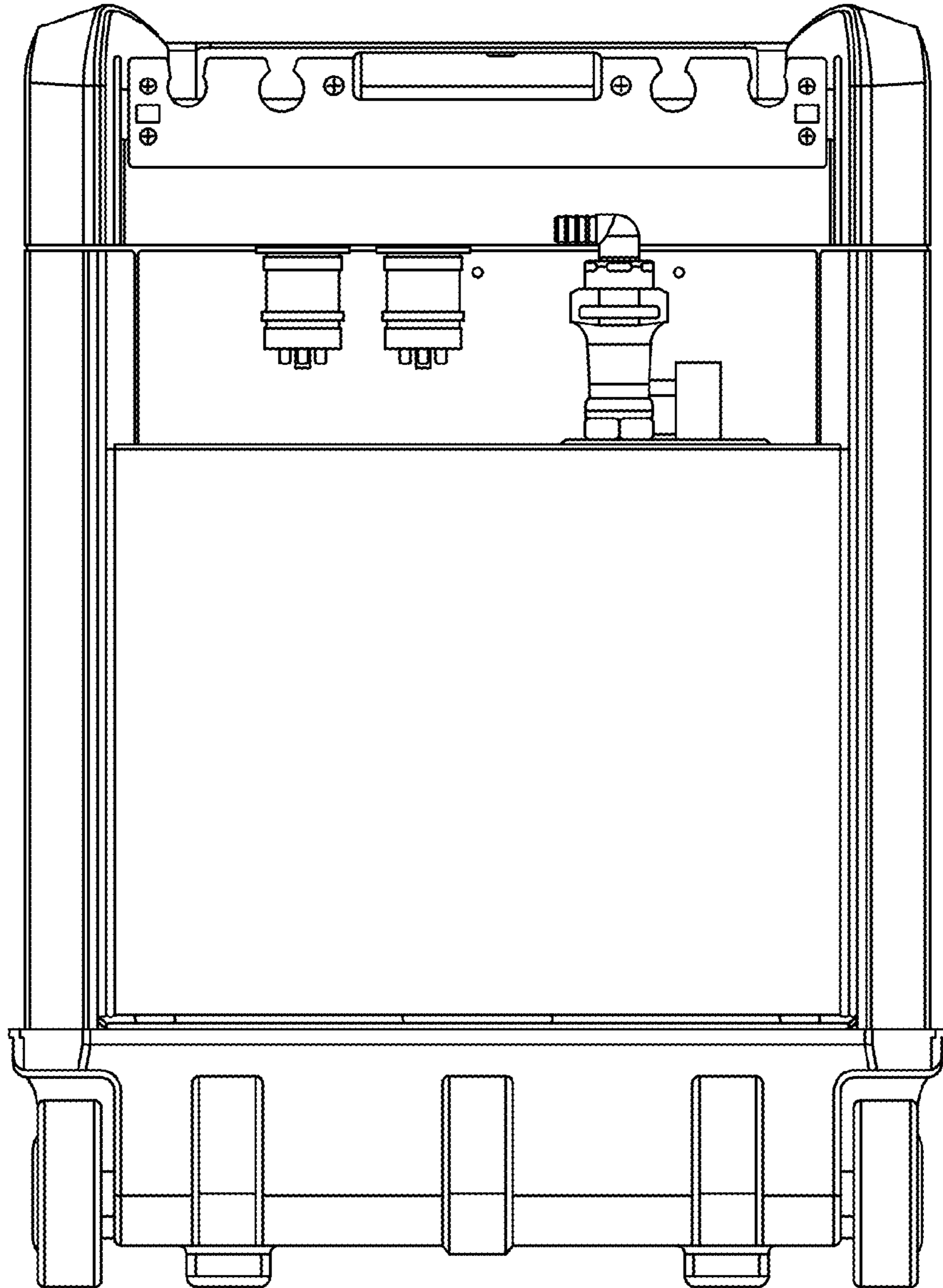


FIG. 2

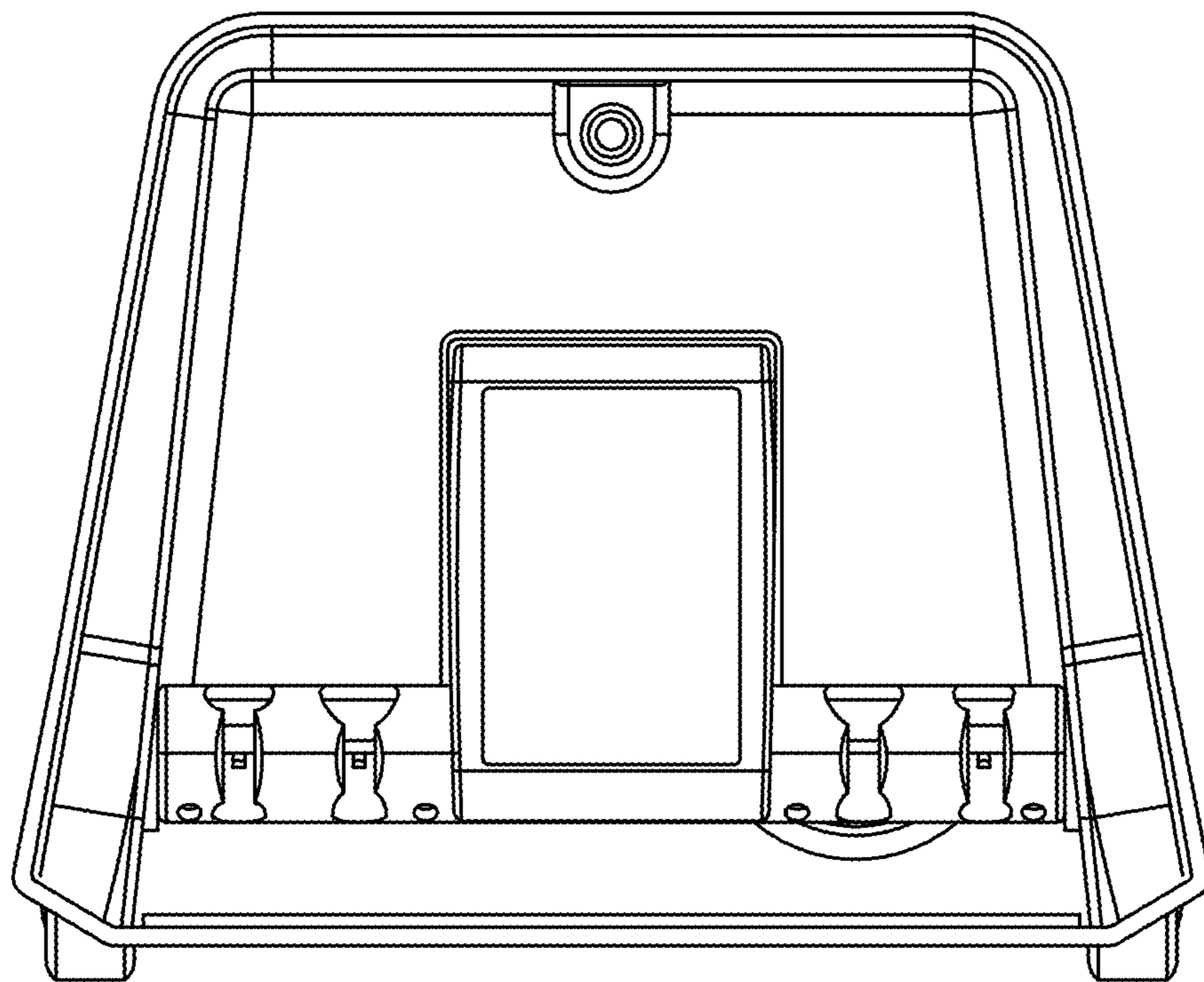


FIG. 3

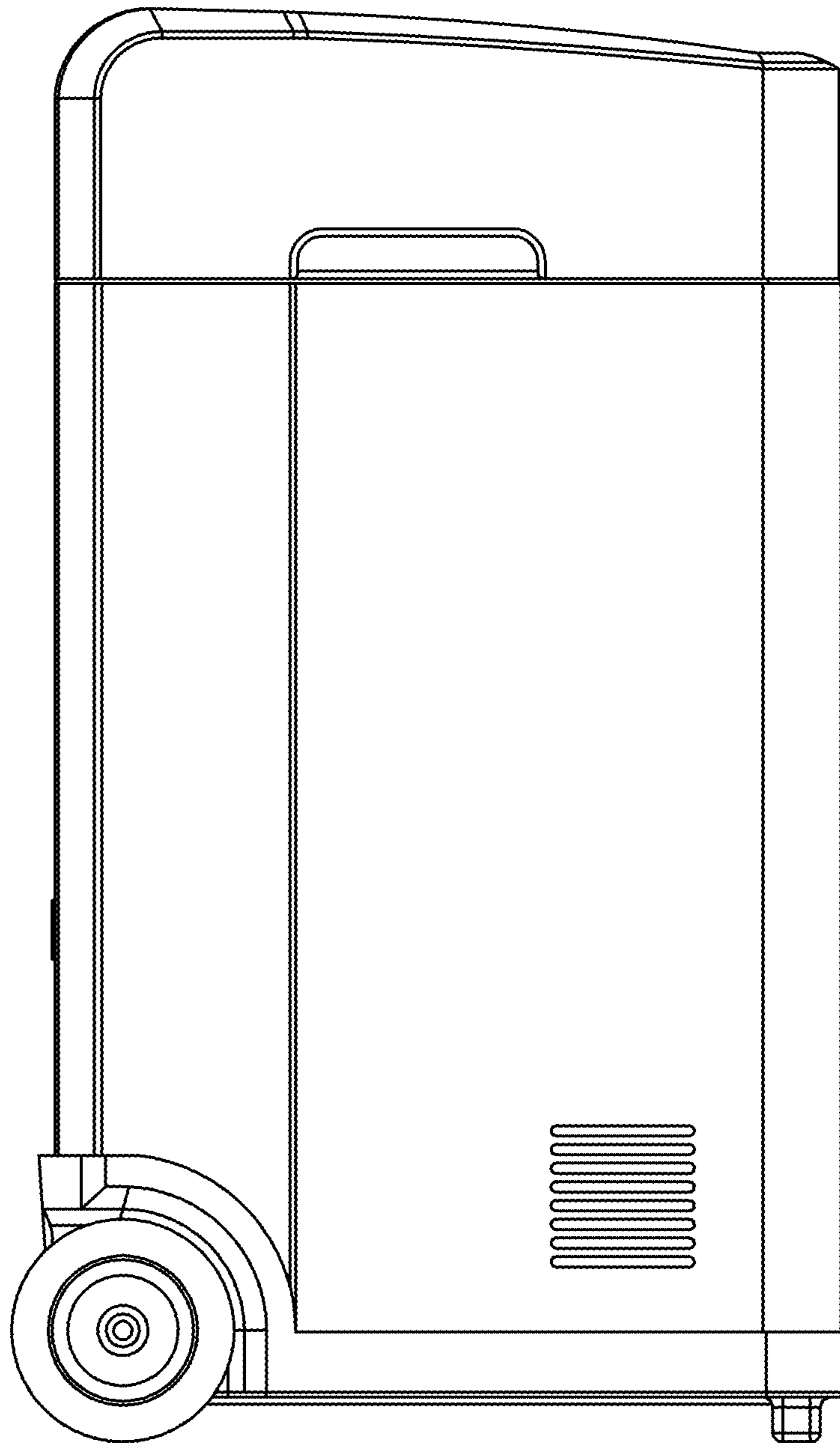


FIG. 4

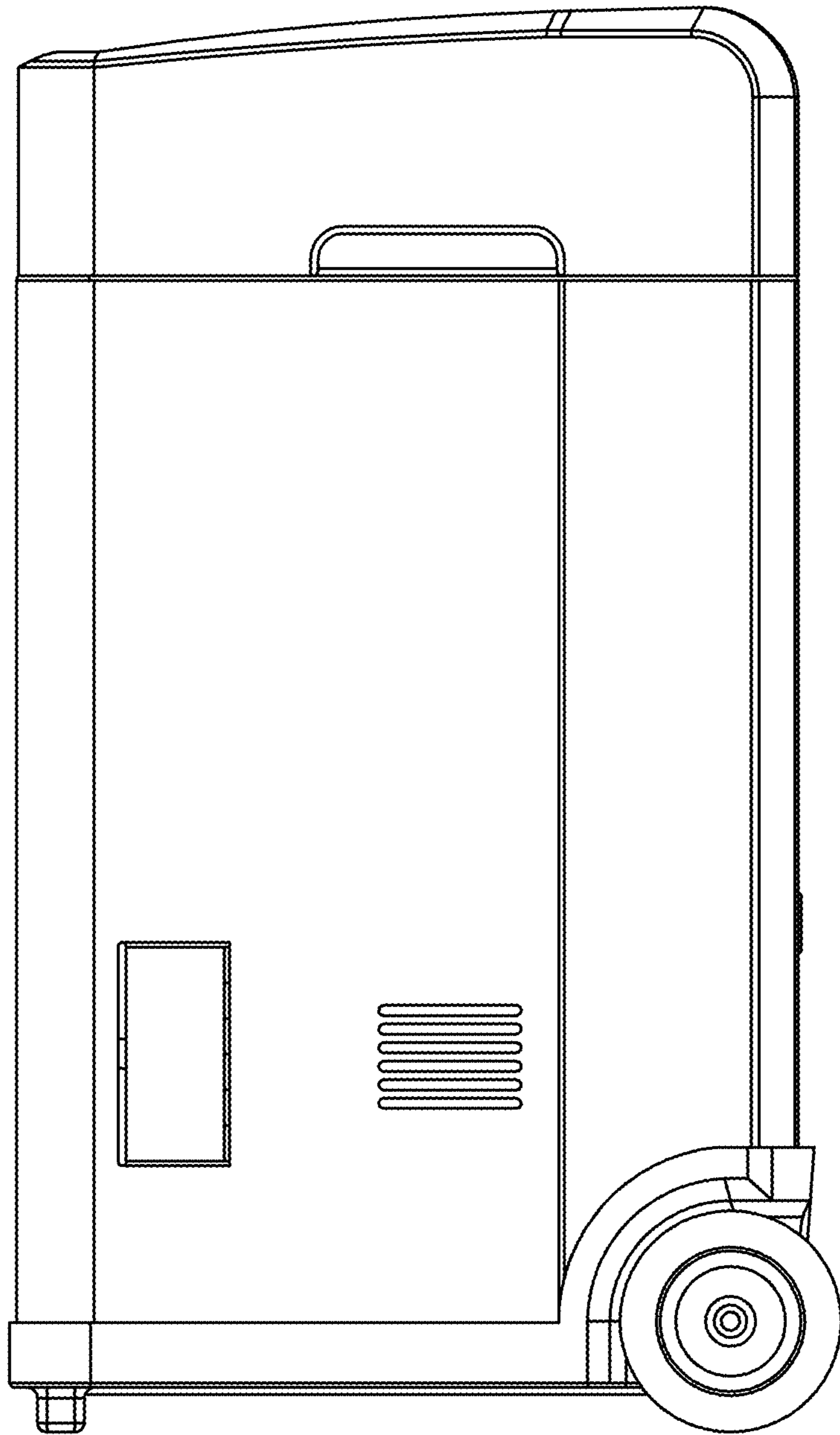


FIG. 5

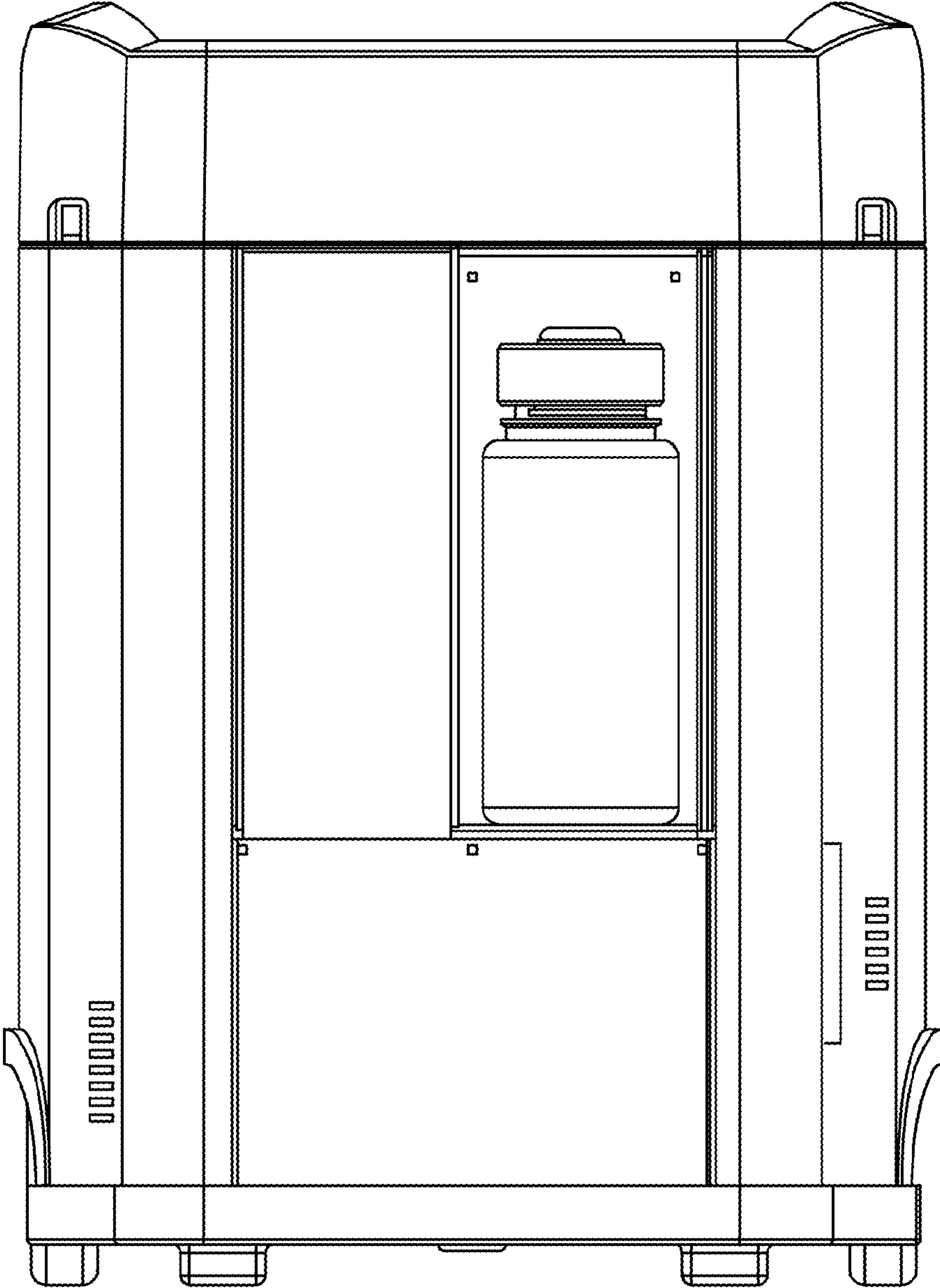


FIG. 6

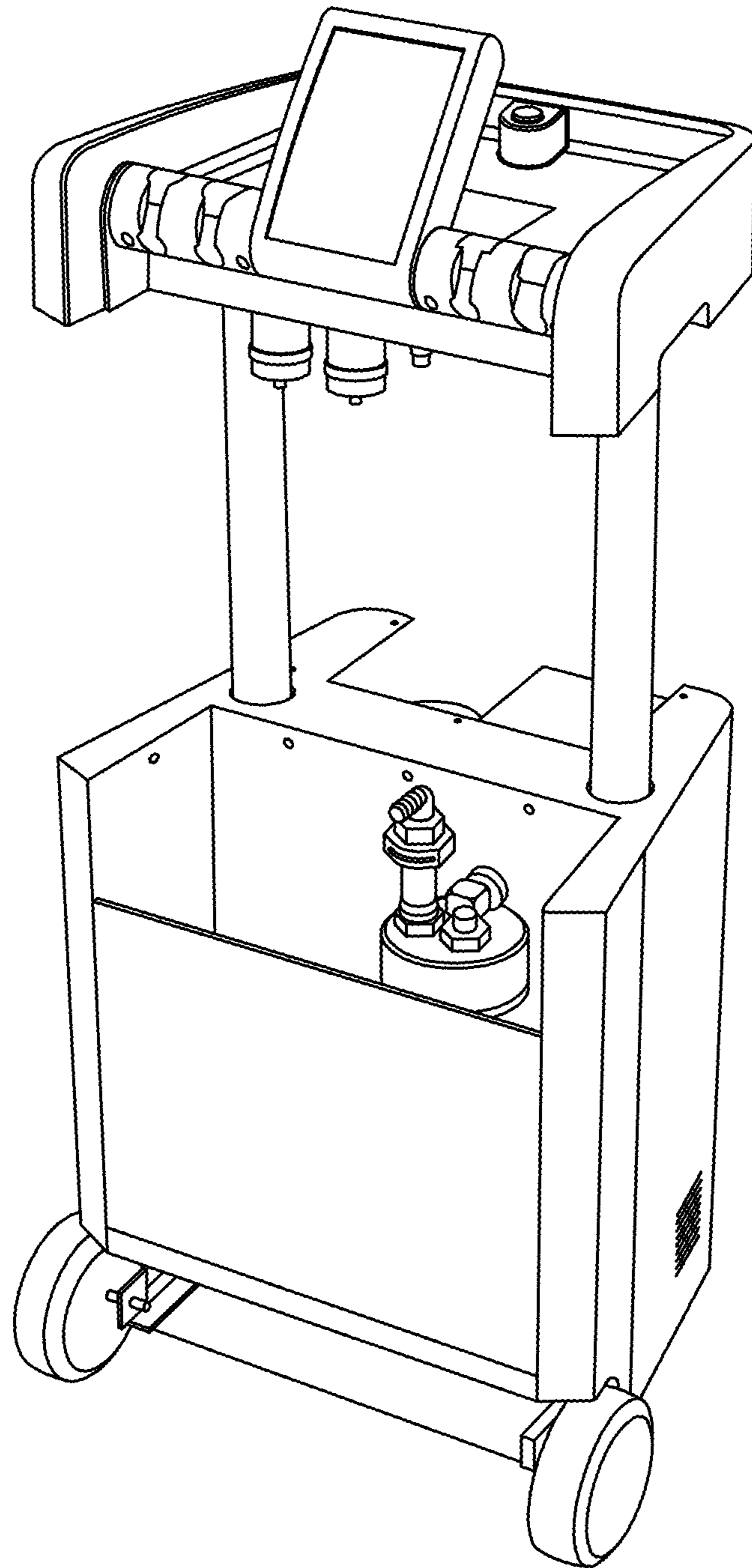


FIG. 7

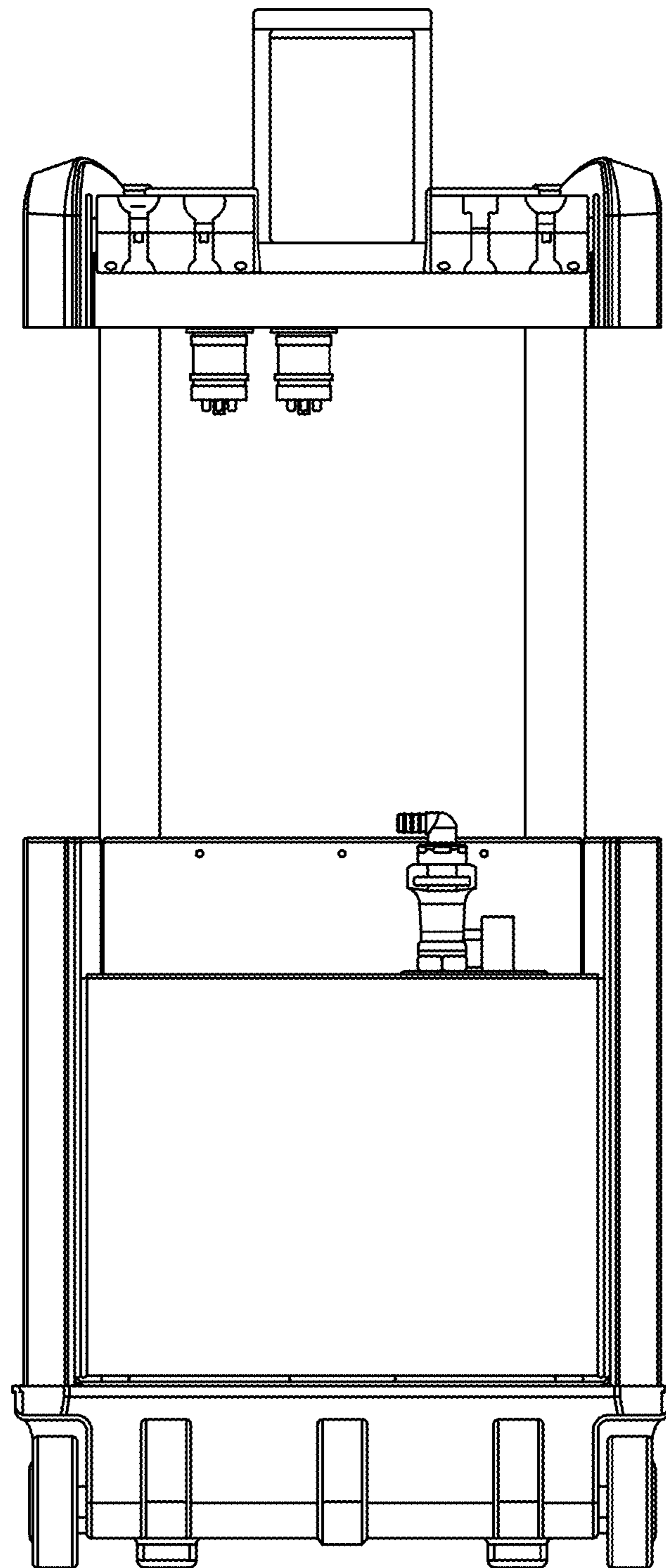


FIG. 8

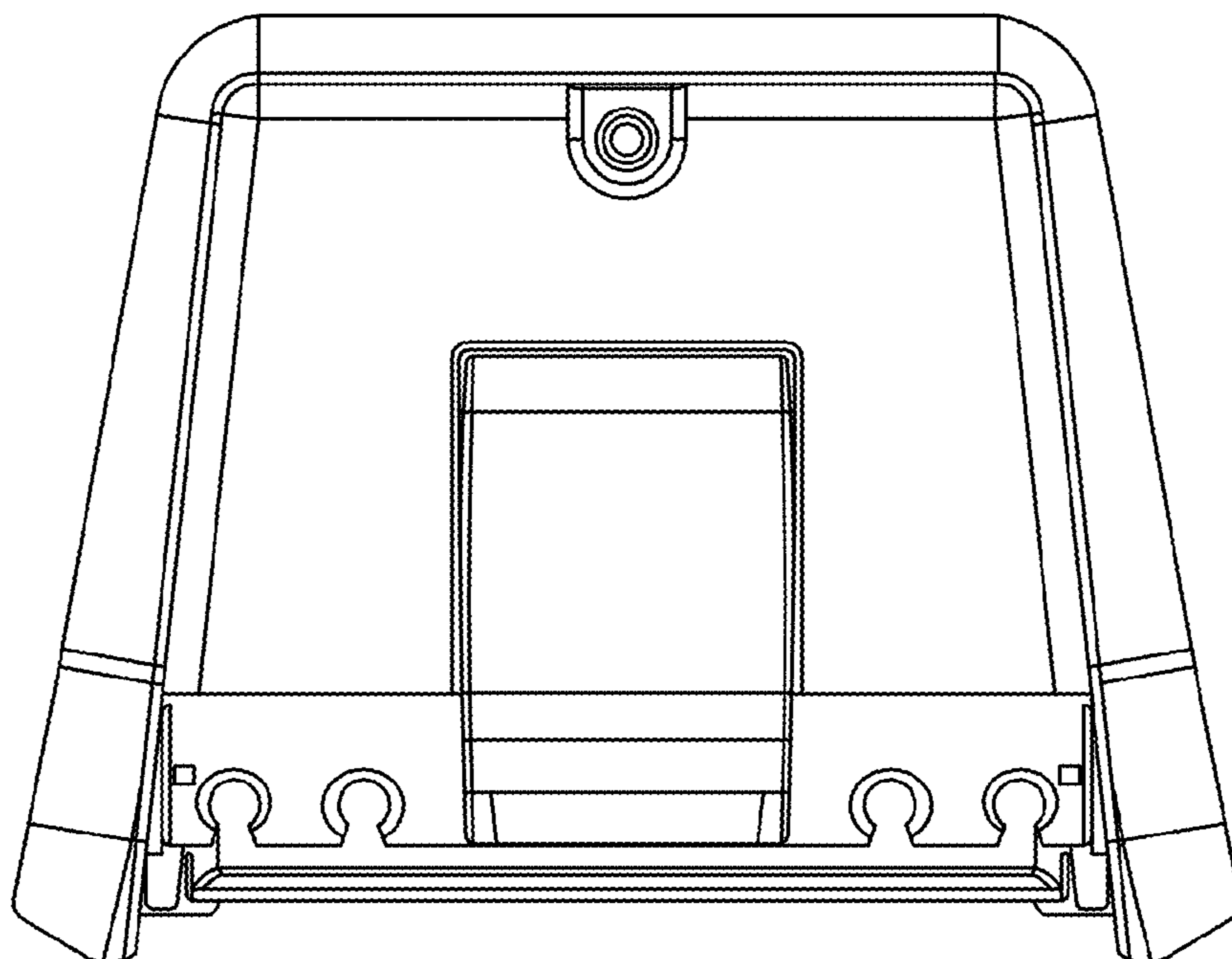


FIG. 9

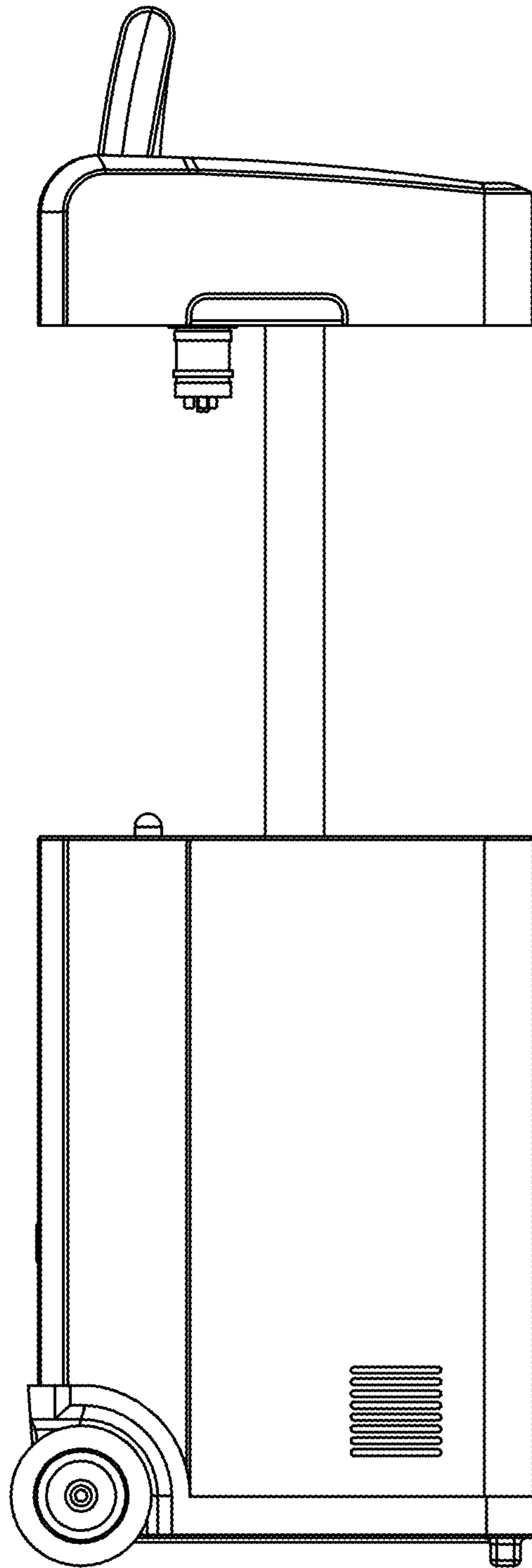


FIG. 10

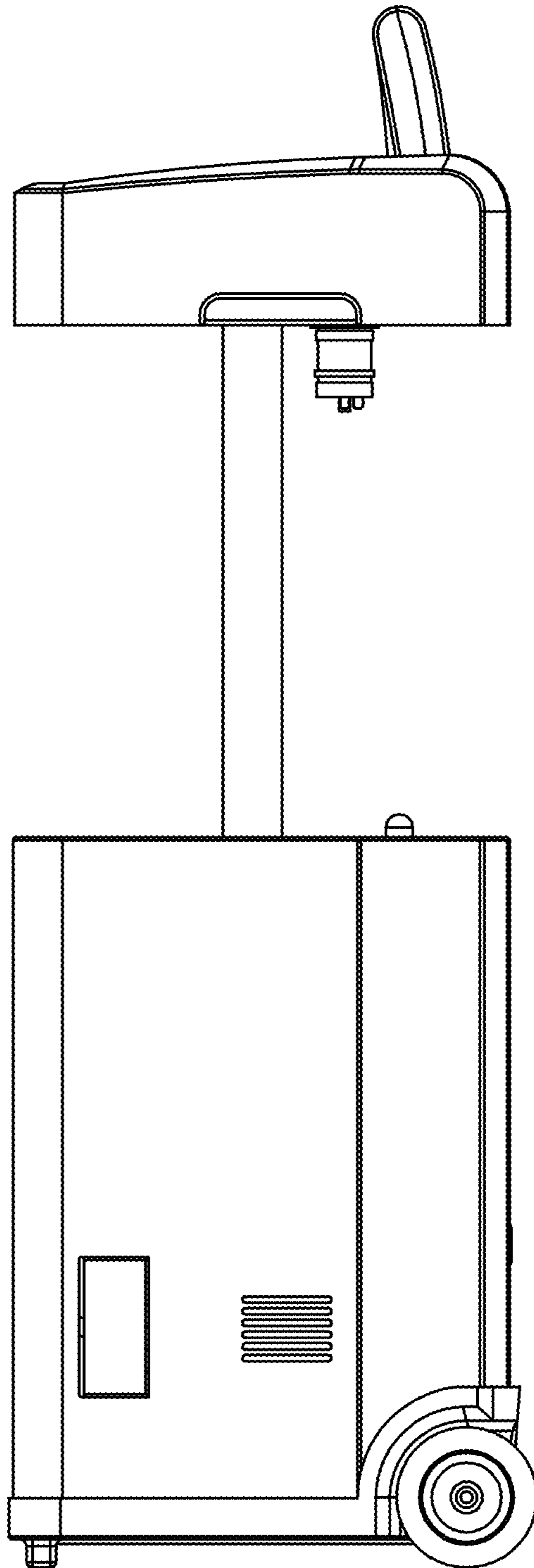


FIG. 11

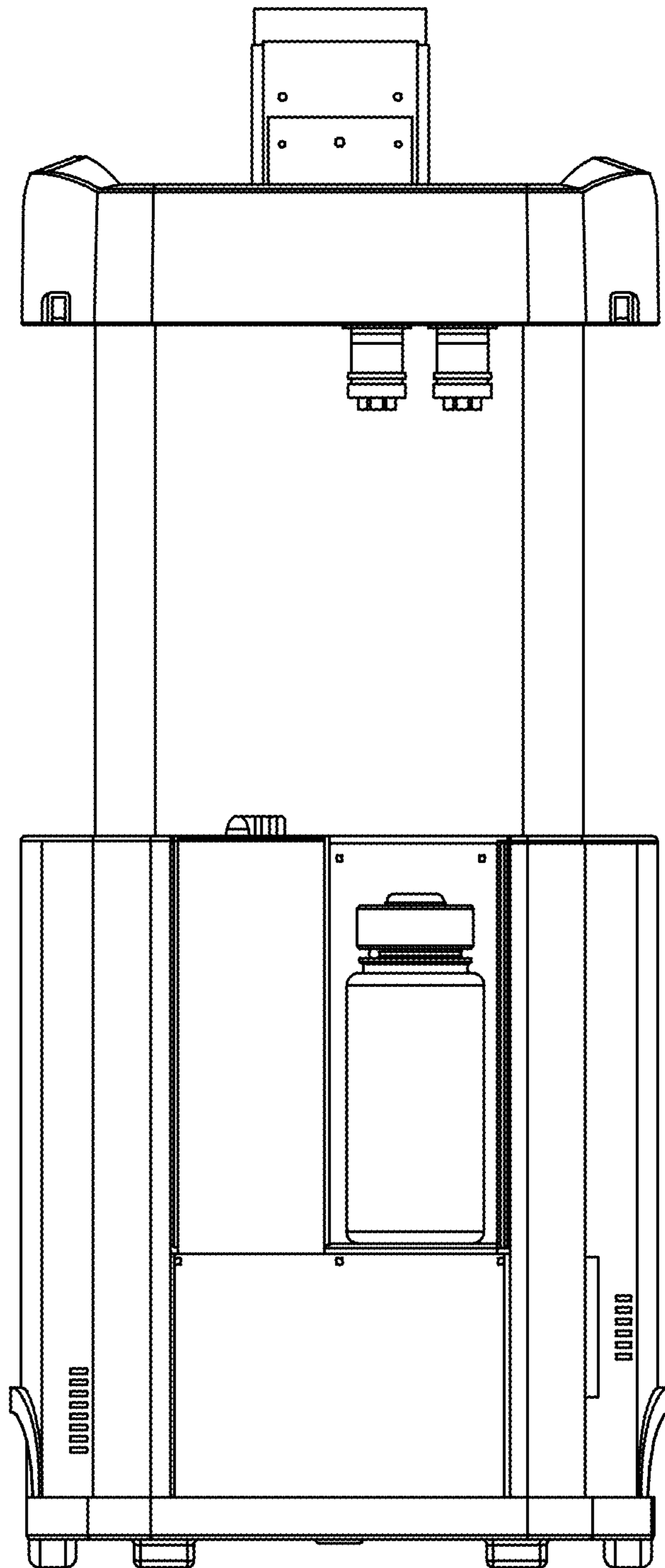


FIG. 12